



US00D748807S

(12) **United States Design Patent**
Wawro et al.

(10) **Patent No.:** **US D748,807 S**
(45) **Date of Patent:** **** Feb. 2, 2016**

(54) **DIAGNOSTIC DEVICE**

(71) Applicant: **Welch Allyn, Inc.**, Skaneateles Falls, NY (US)

(72) Inventors: **Thaddeus J. Wawro**, Auburn, NY (US);
Donwoong Kang, Camillus, NY (US);
Jonathan A. Fitch, Syracuse, NY (US);
Alan S. Knieriem, Baldwinsville, NY (US);
Scott W. Osiecki, Skaneateles, NY (US);
Shawn C. St. Pierre, Syracuse, NY (US)

(73) Assignee: **WELCH ALLYN, INC.**, Skaneateles Falls, NY (US)

(**) Term: **14 Years**

(21) Appl. No.: **29/501,553**

(22) Filed: **Sep. 5, 2014**

(51) **LOC (10) Cl.** **24-02**

(52) **U.S. Cl.**
USPC **D24/186**

(58) **Field of Classification Search**
USPC D24/165–168, 185, 186, 187, 107;
D10/70, 75, 97, 98; 600/301, 382–384,
600/386, 390, 483, 500–503, 508, 509,
600/513; 128/DIG. 15; D14/341, 344
CPC A61B 5/0205; A61B 5/021
See application file for complete search history.

(56) **References Cited**

U.S. PATENT DOCUMENTS

D460,559 S * 7/2002 Knieriem D24/186
D512,151 S * 11/2005 Ward D24/111

D535,031 S *	1/2007	Barrett	D24/186
D536,794 S *	2/2007	Knieriem	D24/186
D635,681 S *	4/2011	Edwards	D24/186
D641,885 S *	7/2011	Wawro	D24/186
D671,020 S *	11/2012	Collins	D10/70
D725,784 S *	3/2015	Xia	D24/186
D735,343 S *	7/2015	Dorsey	D24/186
2008/0281168 A1 *	11/2008	Gibson	A61B 5/0205 600/301
2010/0056886 A1 *	3/2010	Hurtubise	A61B 5/0205 600/324
2011/0071420 A1 *	3/2011	St. Pierre	A61B 5/02055 600/549
2014/0058213 A1 *	2/2014	Abu-Tarif	A61B 5/0205 600/301

* cited by examiner

Primary Examiner — Anhdao Doan

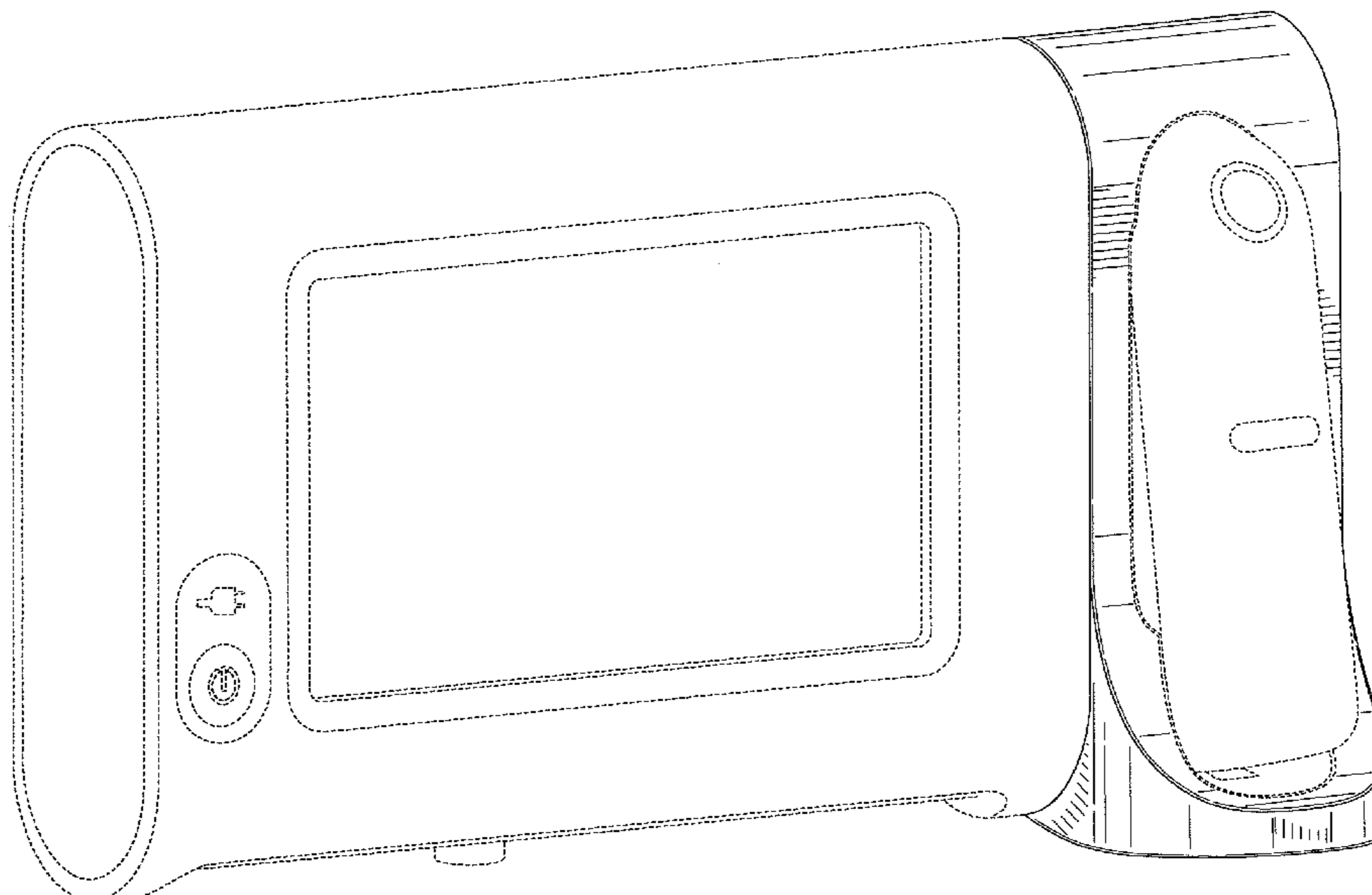
(57) **CLAIM**

The ornamental design for a diagnostic device, as shown and described.

DESCRIPTION

FIG. 1 is a perspective view of a diagnostic device showing our new design;
FIG. 2 is a front elevation view thereof;
FIG. 3 is a rear elevation view thereof;
FIG. 4 is a right side elevation view thereof;
FIG. 5 is a left side elevation view thereof;
FIG. 6 is a top plan view thereof; and,
FIG. 7 is a bottom plan view thereof.
The broken lines immediately adjacent the shaded areas represent the bounds of the claim. All other broken lines are directed to unclaimed portions of the diagnostic device. None of the broken lines form a part of the claimed design.

1 Claim, 7 Drawing Sheets



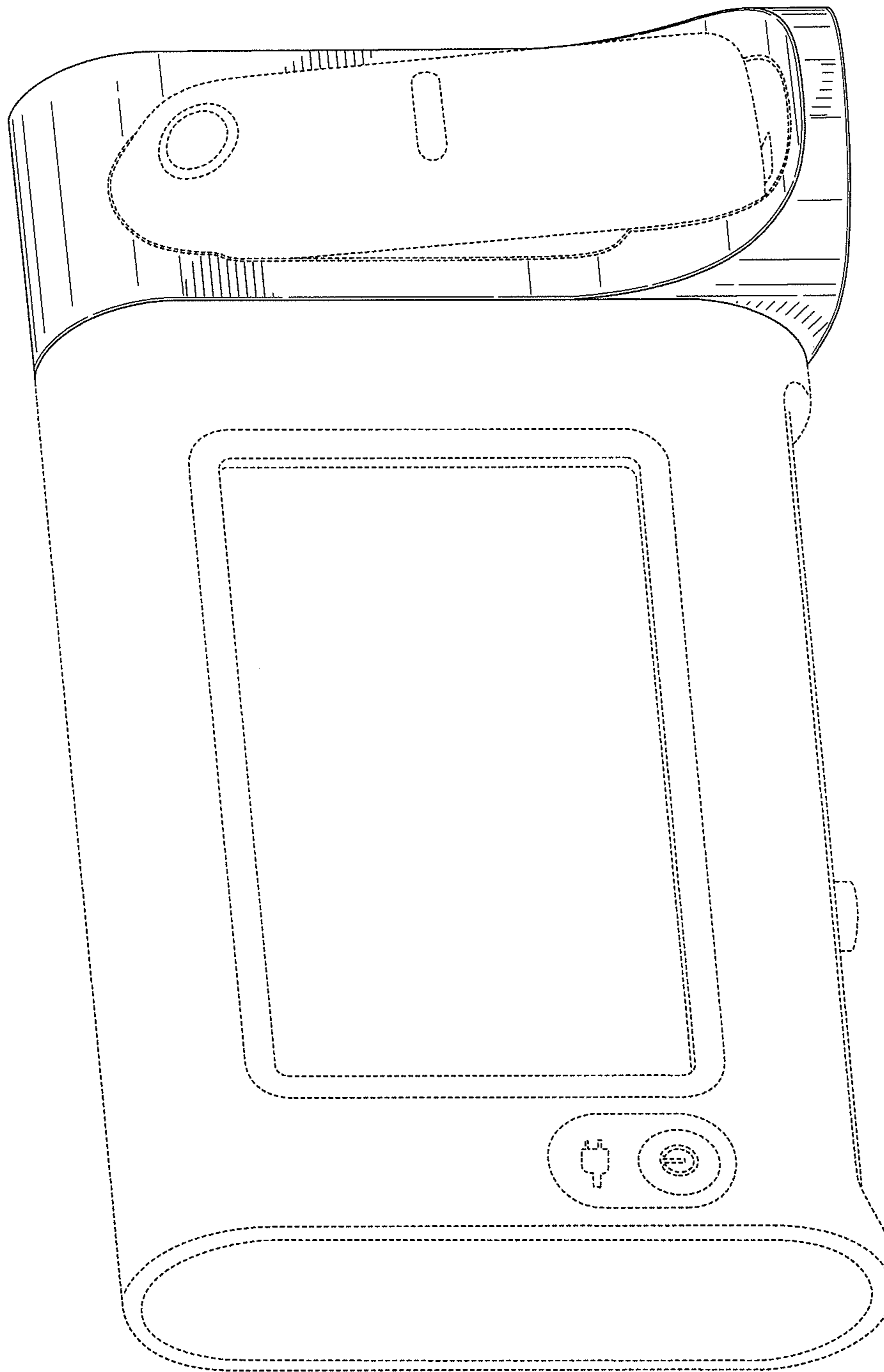


FIG. 1

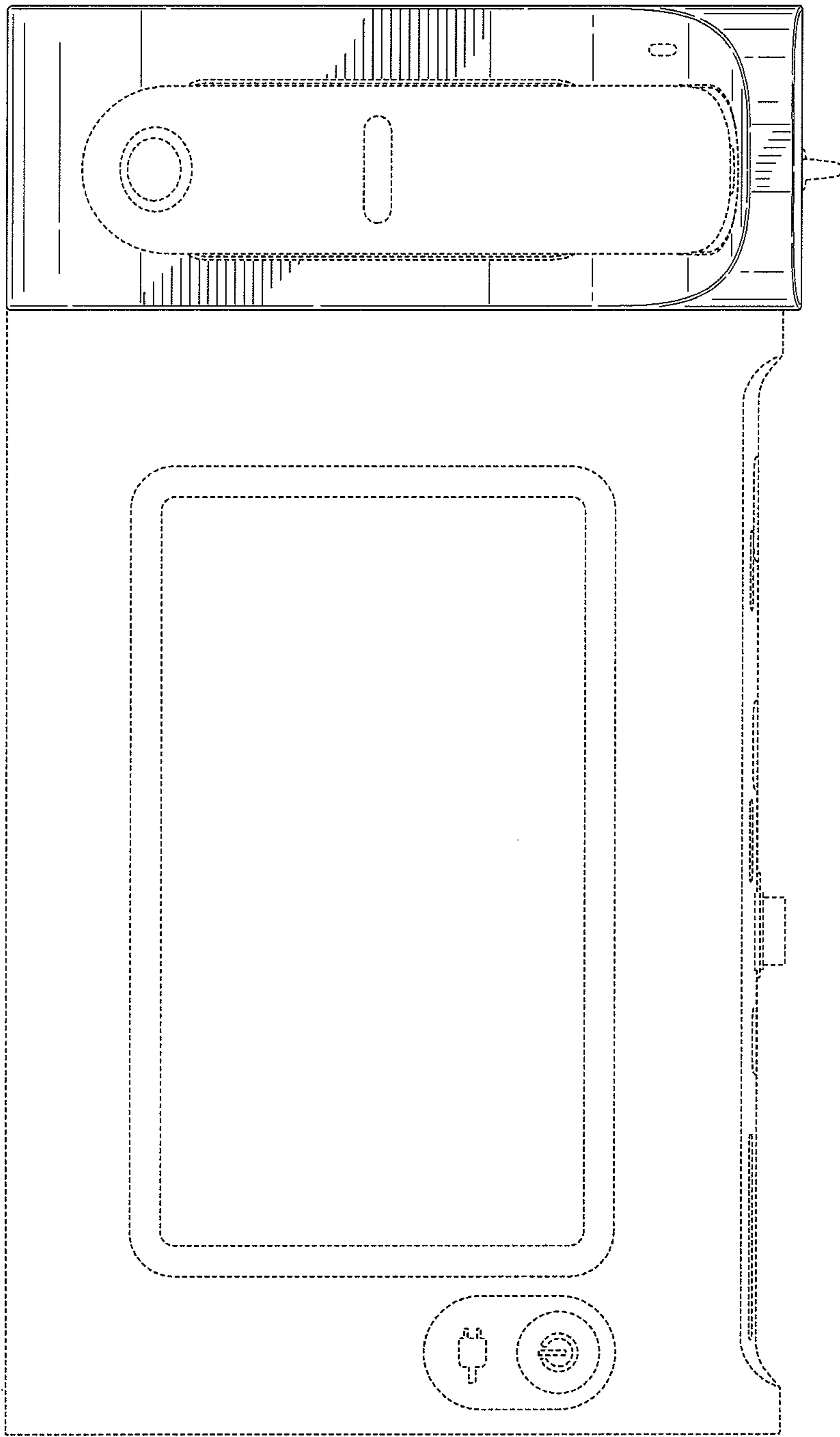


FIG. 2

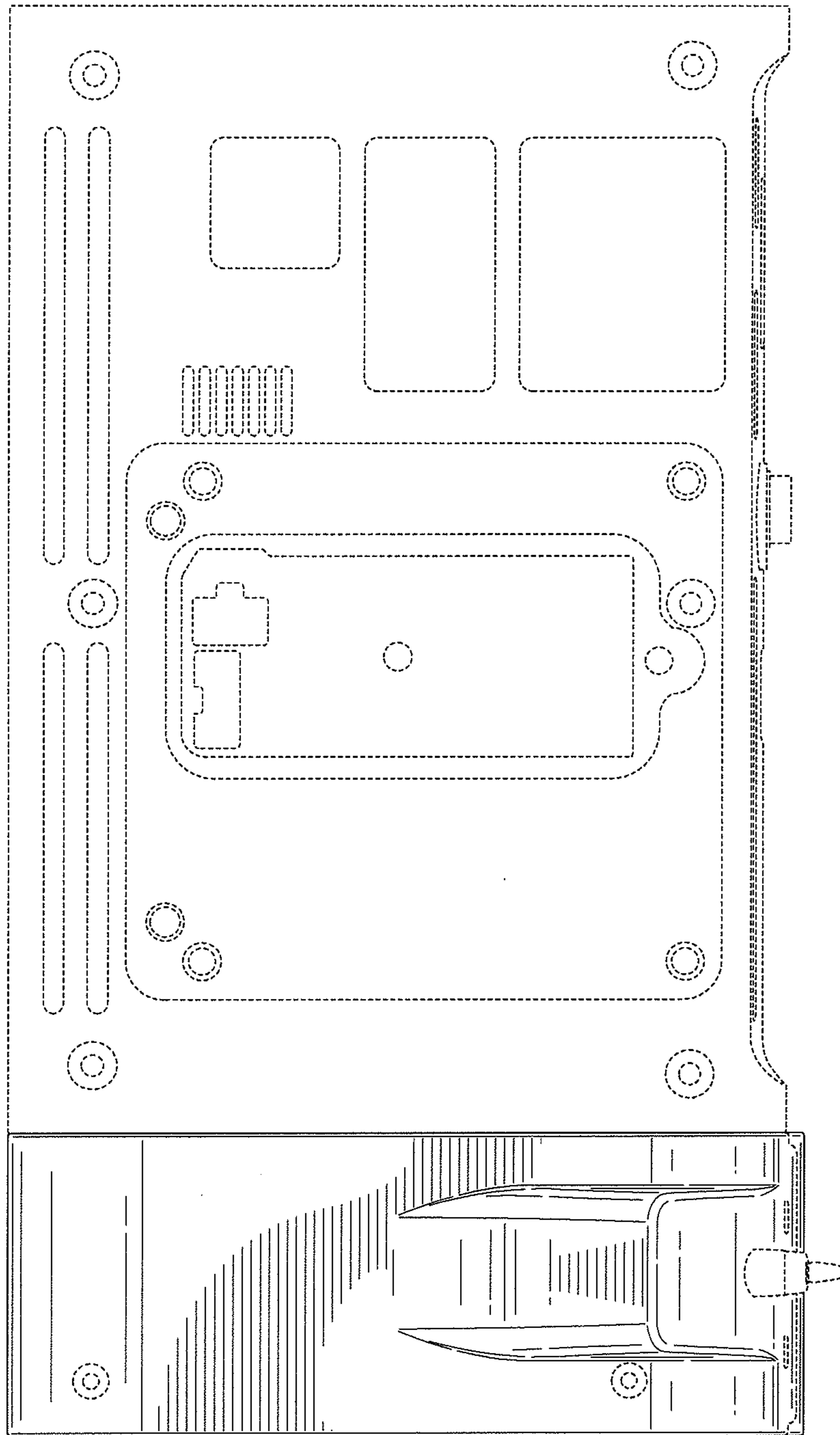


FIG. 3

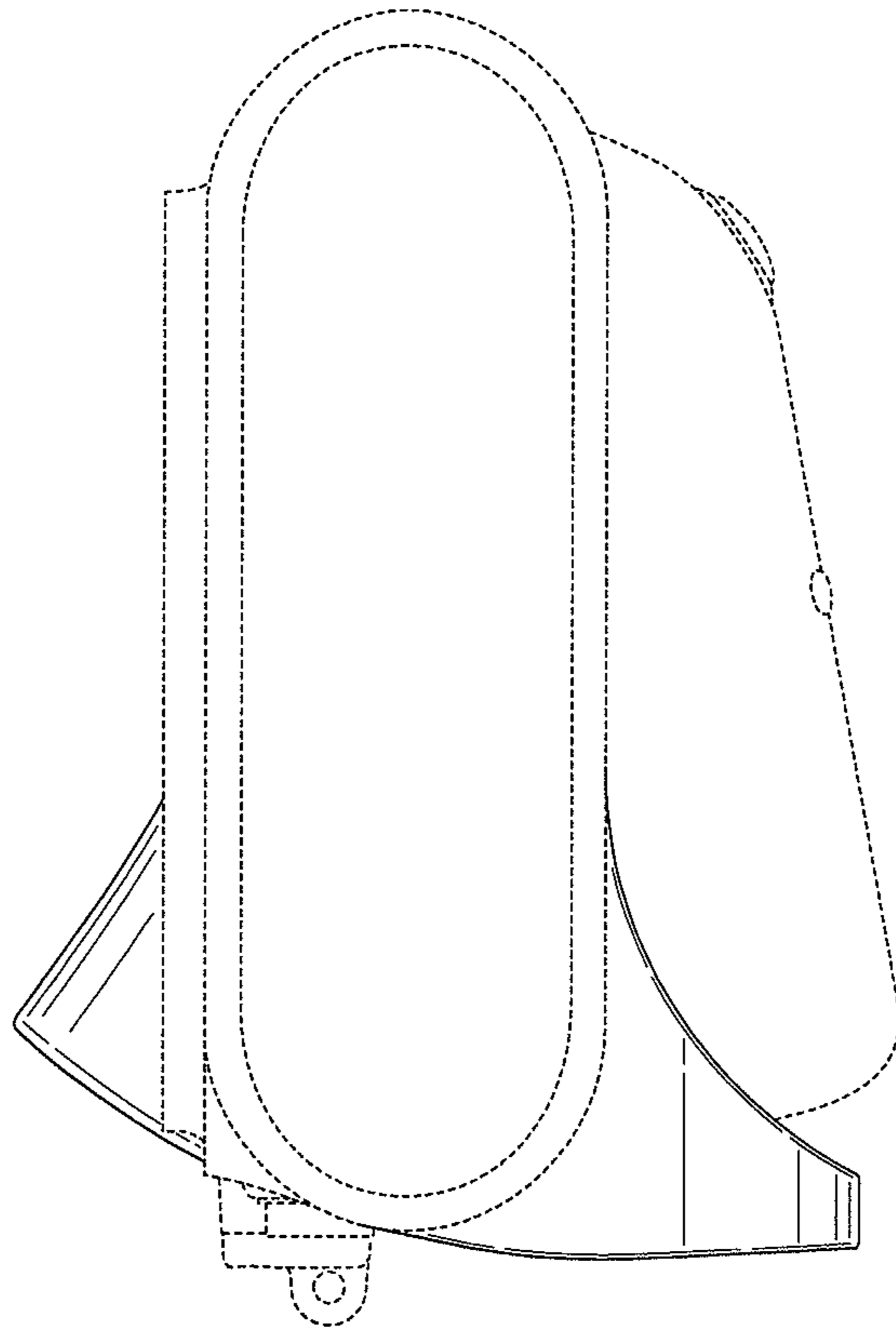


FIG. 4

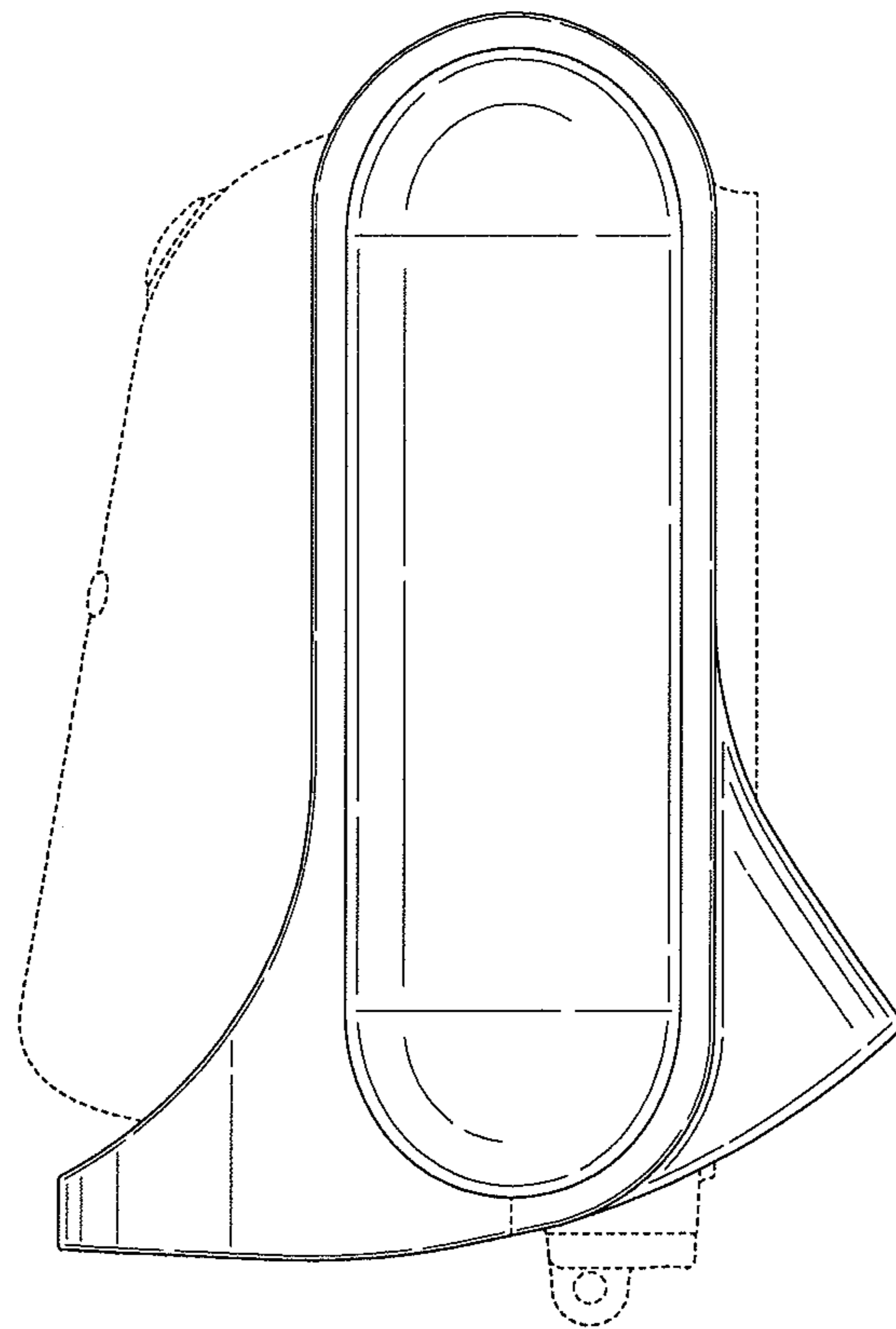


FIG. 5

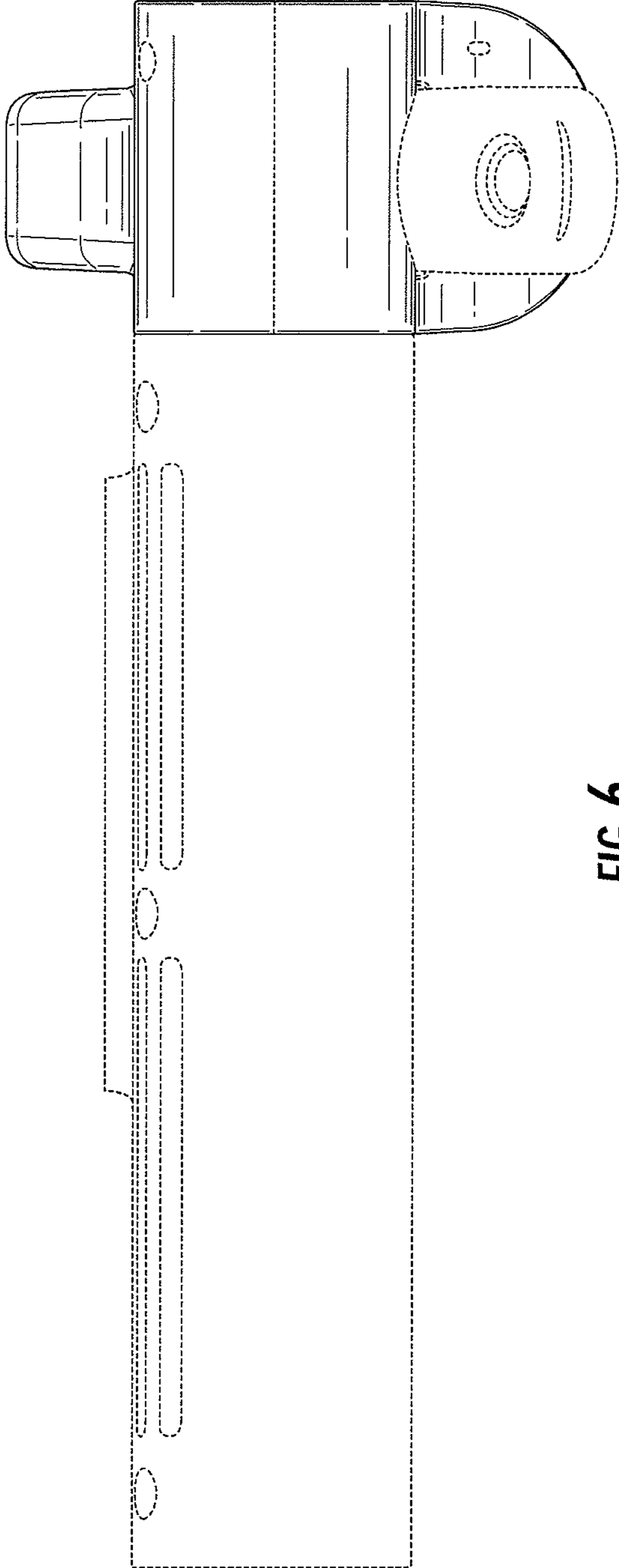


FIG. 6

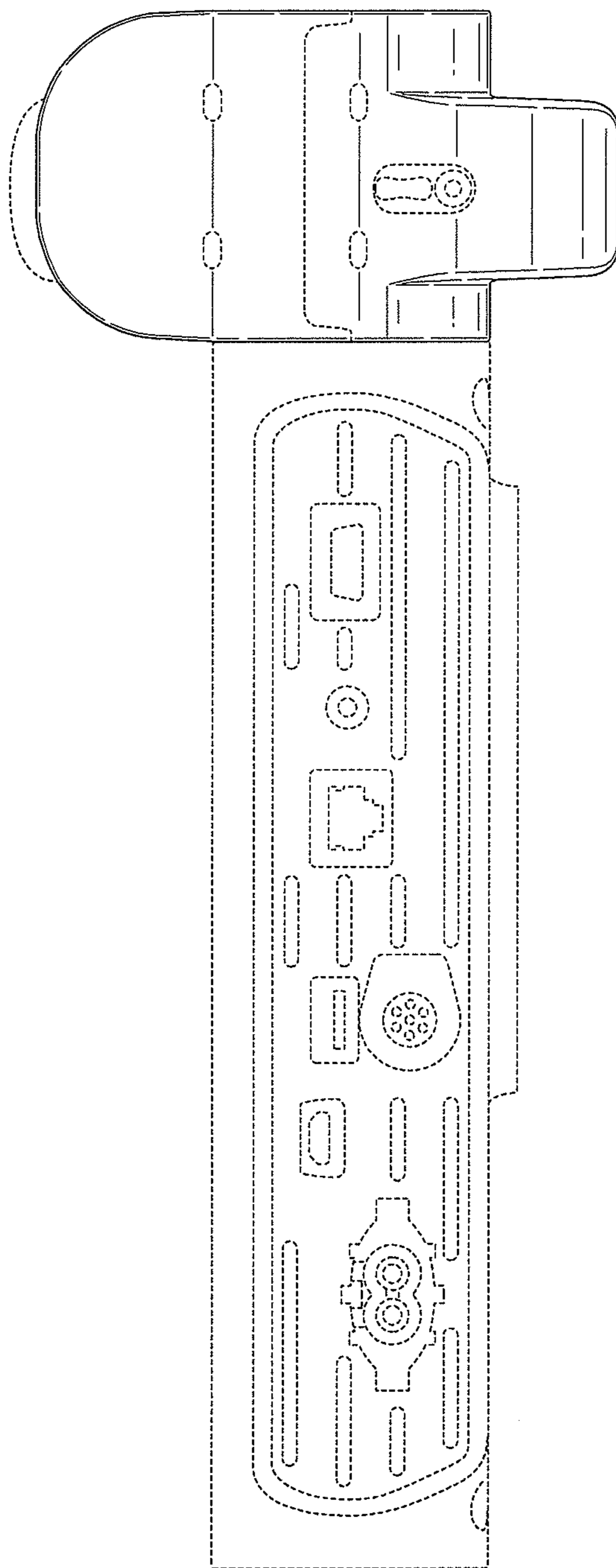


FIG. 7