



US00D748806S

(12) **United States Design Patent**
Coonahan et al.

(10) **Patent No.:** **US D748,806 S**

(45) **Date of Patent:** **** Feb. 2, 2016**

(54) **PATIENT MONITORING DEVICE**
(75) Inventors: **Tim Coonahan**, Sterling, MA (US);
Thomas Swyst, Arlington, MA (US);
Christopher Newell, Haverhill, MA
(US); **Ricardo Luis Fernandez**, Beverly,
MA (US); **Tim Johnson**, Raymond, NH
(US); **William T. Buresh, II**, Salem, NH
(US)

D536,795	S	*	2/2007	Knieriem et al.	D24/186
7,208,119	B1		4/2007	Kurtock et al.		
D562,456	S	*	2/2008	Scruggs et al.	D24/160
D600,814	S	*	9/2009	Lathrop et al.	D24/186
D621,511	S	*	8/2010	Lathrop et al.	D24/167
D683,857	S	*	6/2013	Arimitsu et al.	D24/167
D693,006	S	*	11/2013	Arimitsu et al.	D24/167
D706,239	S	*	6/2014	Chen et al.	D14/186
2010/0261979	A1		10/2010	Kiani		
2011/0054268	A1		3/2011	Fidacaro et al.		
2011/0144435	A1		6/2011	Geisser et al.		

(73) Assignee: **Draeger Medical Systems, Inc.**,
Andover, MA (US)

FOREIGN PATENT DOCUMENTS

(**) Term: **14 Years**

JP		1076826	A	3/1989
RU		66012	S	3/2008

(21) Appl. No.: **29/424,360**

* cited by examiner

(22) Filed: **Jun. 11, 2012**

Primary Examiner — T. Chase Nelson

(51) **LOC (10) Cl.** **24-01**

Assistant Examiner — Mark Cavanna

(52) **U.S. Cl.**

(74) *Attorney, Agent, or Firm* — Jones Day

USPC **D24/186**

(58) **Field of Classification Search**

(57) **CLAIM**

USPC D24/107, 111, 164–165, 167–169,
D24/185–186, 160; D10/81, 104; 600/301,
600/481, 483–485, 509, 513, 519, 544;
128/900; D14/301, 371, 381

The ornamental design for a patient monitoring device, as
shown and described.

See application file for complete search history.

DESCRIPTION

(56) **References Cited**

FIG. 1 is a front view of a patient monitoring device, showing
the new design;

U.S. PATENT DOCUMENTS

D303,255	S	*	9/1989	Bratasevec	D14/371
D393,072	S	*	3/1998	Rogler	D24/186
D395,513	S	*	6/1998	Rogler	D24/186
6,352,504	B1		3/2002	Ise et al.		
D475,137	S	*	5/2003	Manke et al.	D24/165
D491,270	S	*	6/2004	Barker	D24/186
D512,151	S	*	11/2005	Ward et al.	D24/111
D536,794	S	*	2/2007	Knieriem et al.	D24/186

FIG. 2 is a back view thereof;

FIG. 3 is a right perspective view thereof;

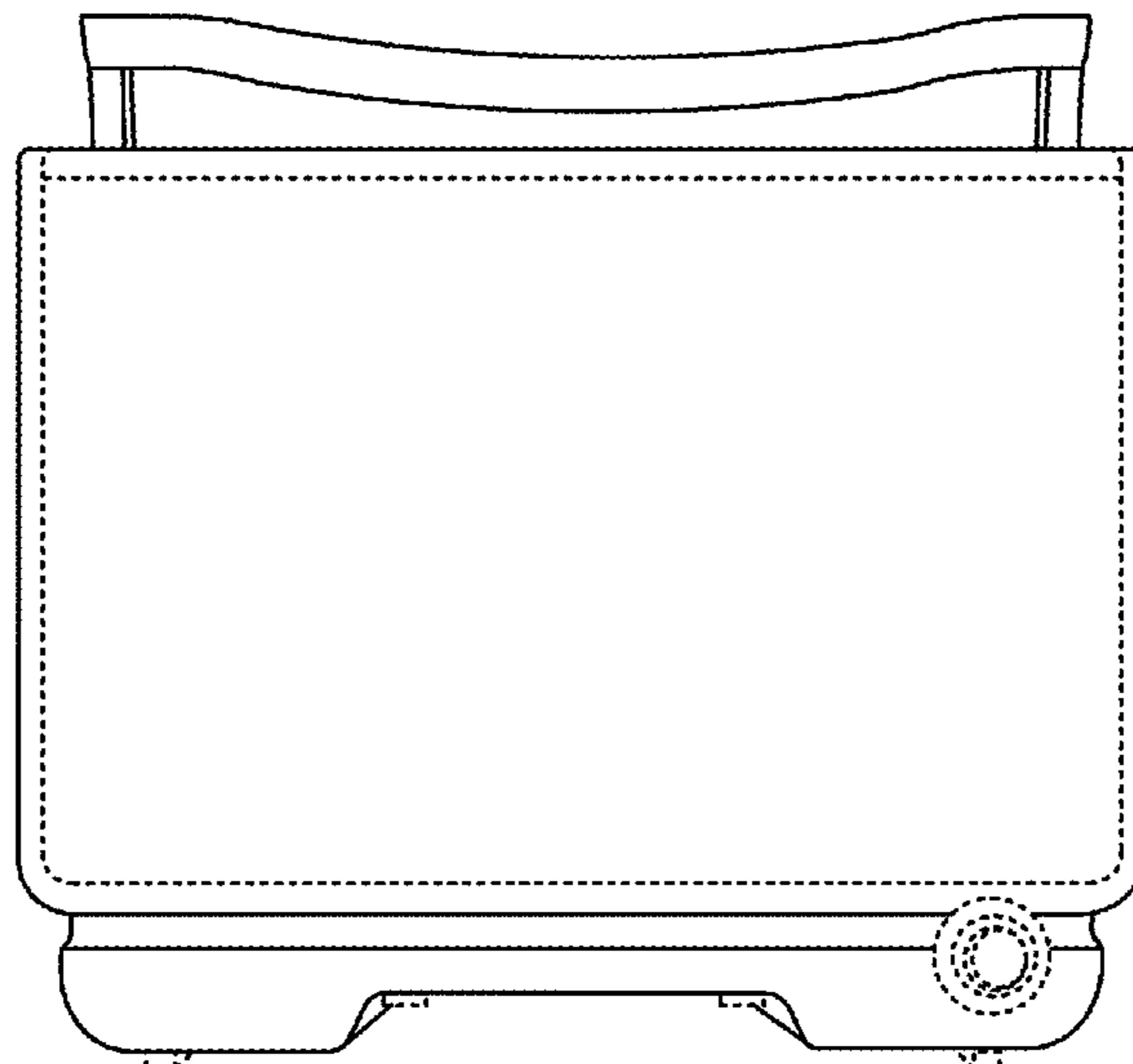
FIG. 4 is a left perspective view thereof;

FIG. 5 is a bottom view thereof; and,

FIG. 6 is a top view thereof.

The broken lines in the drawings are included for the purpose
of illustrating portions of the patient monitoring device that
form no part of the claimed design.

1 Claim, 6 Drawing Sheets



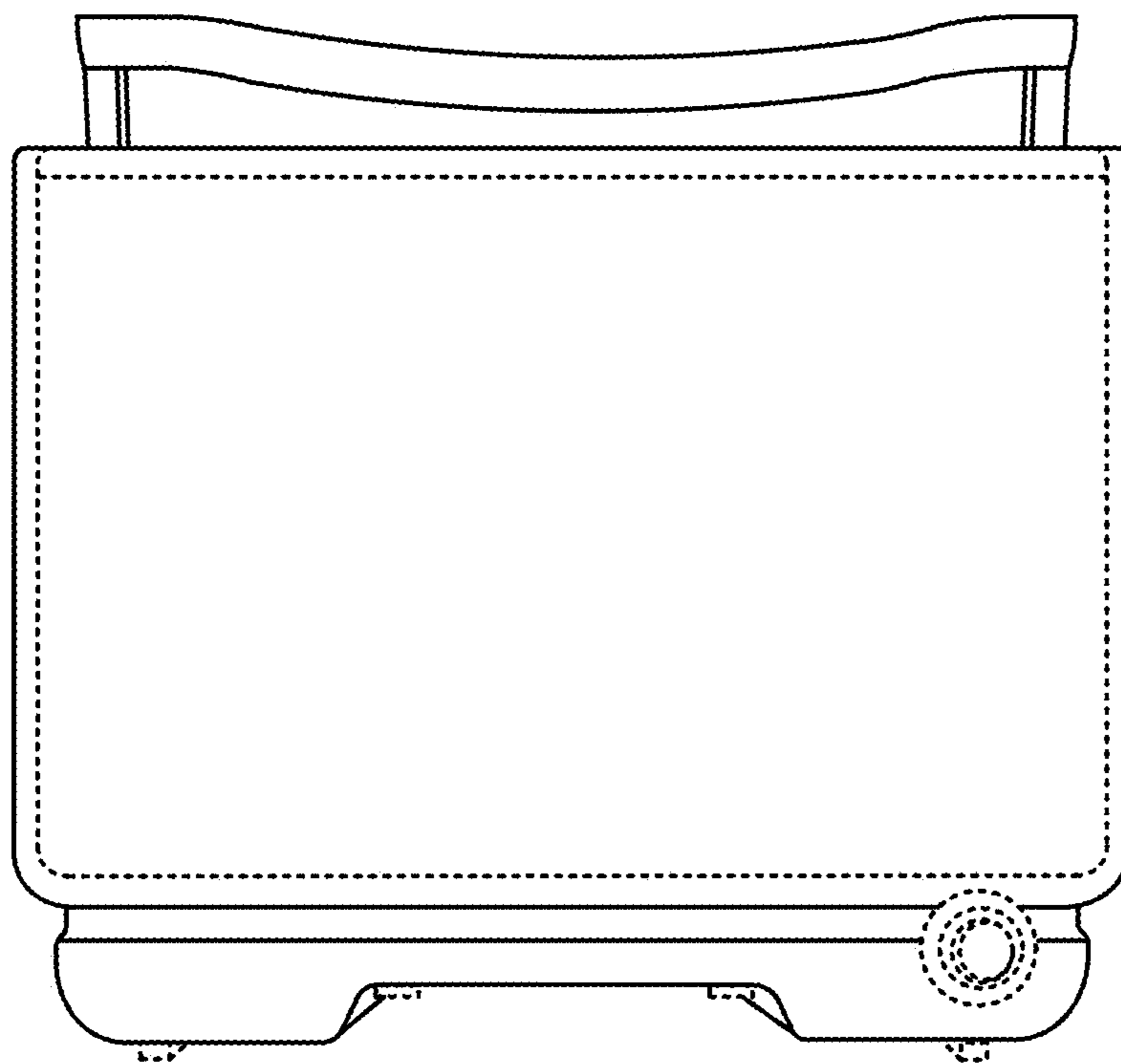


FIG. 1

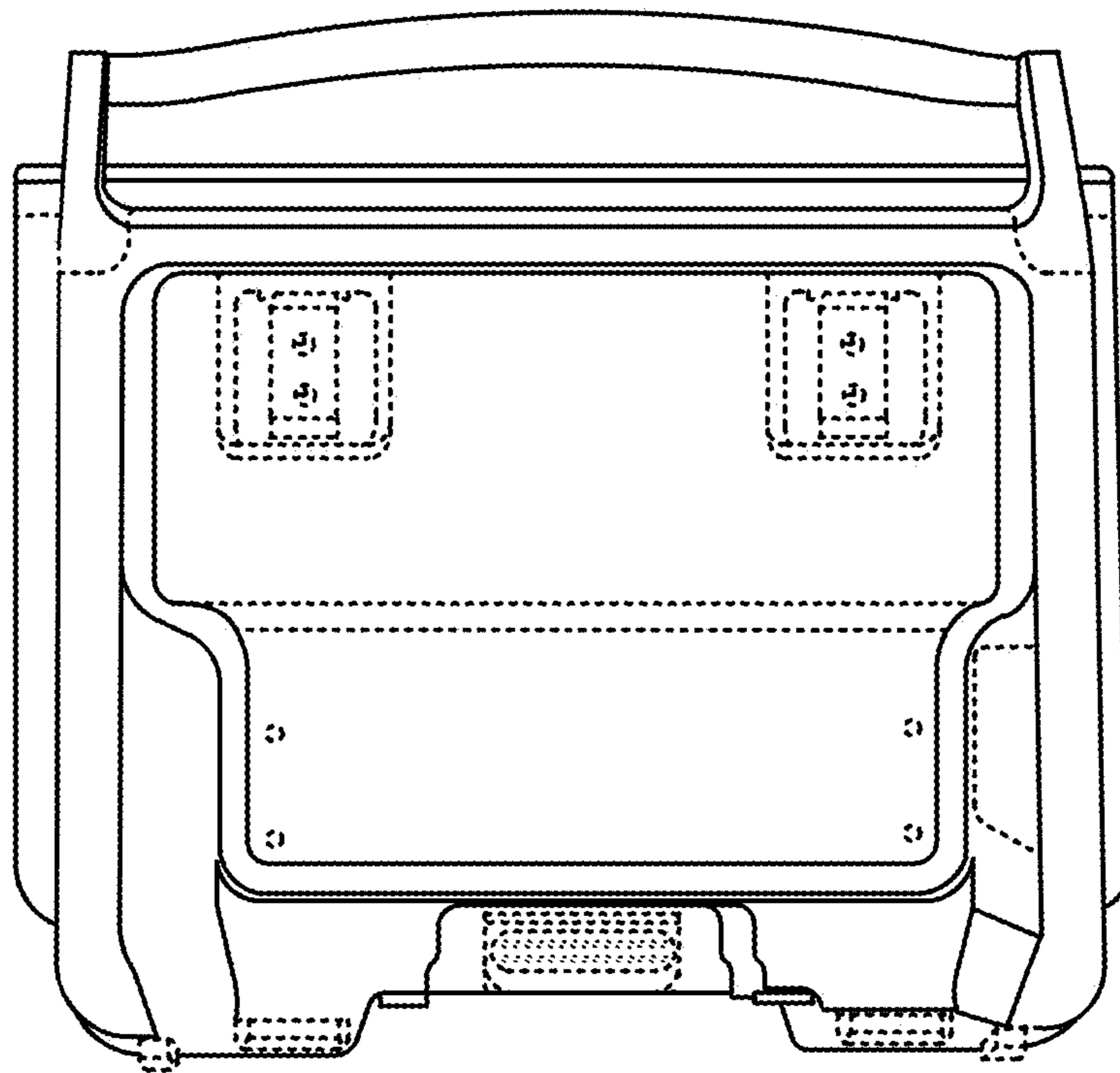


FIG. 2

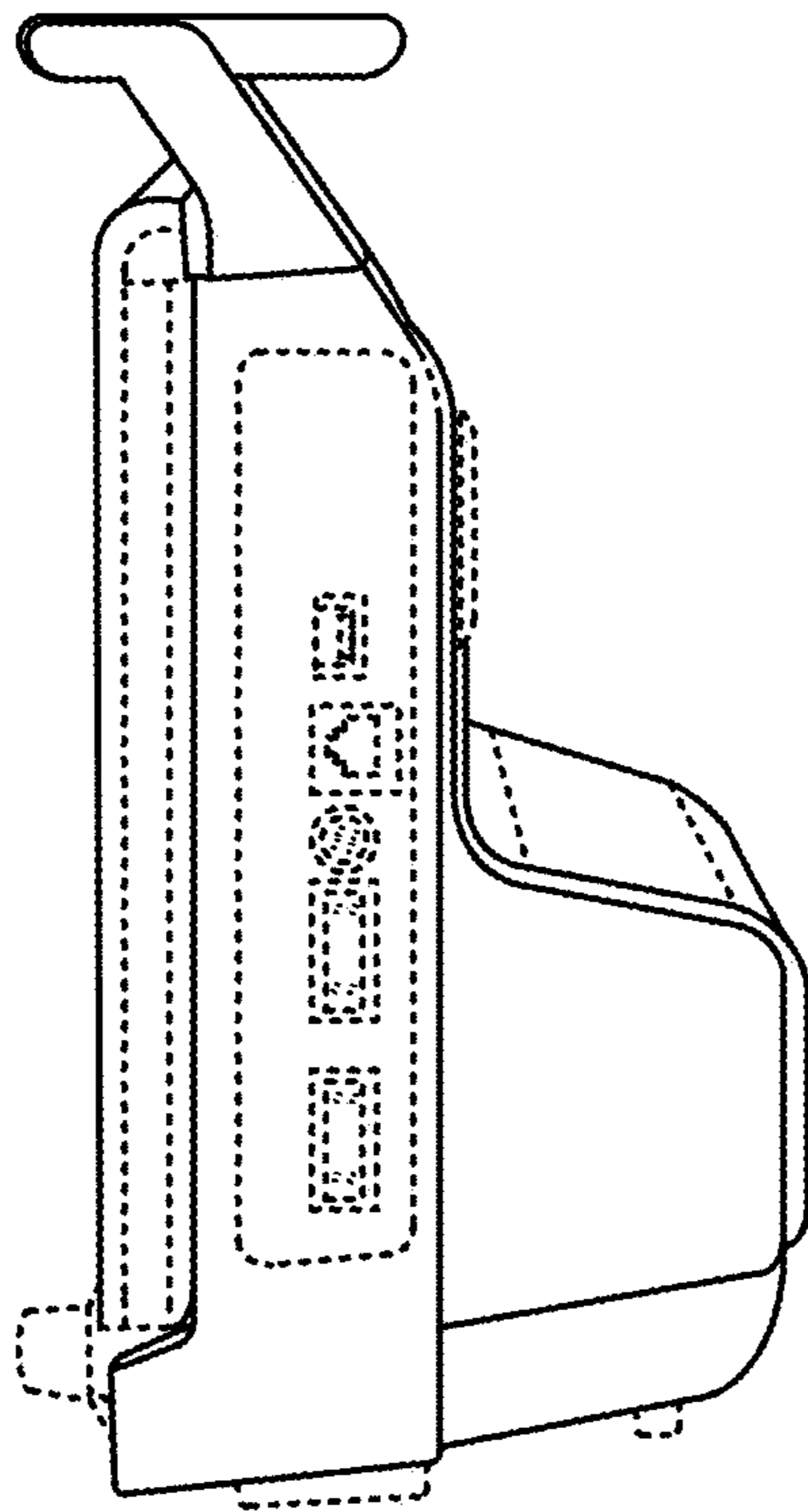


FIG. 3

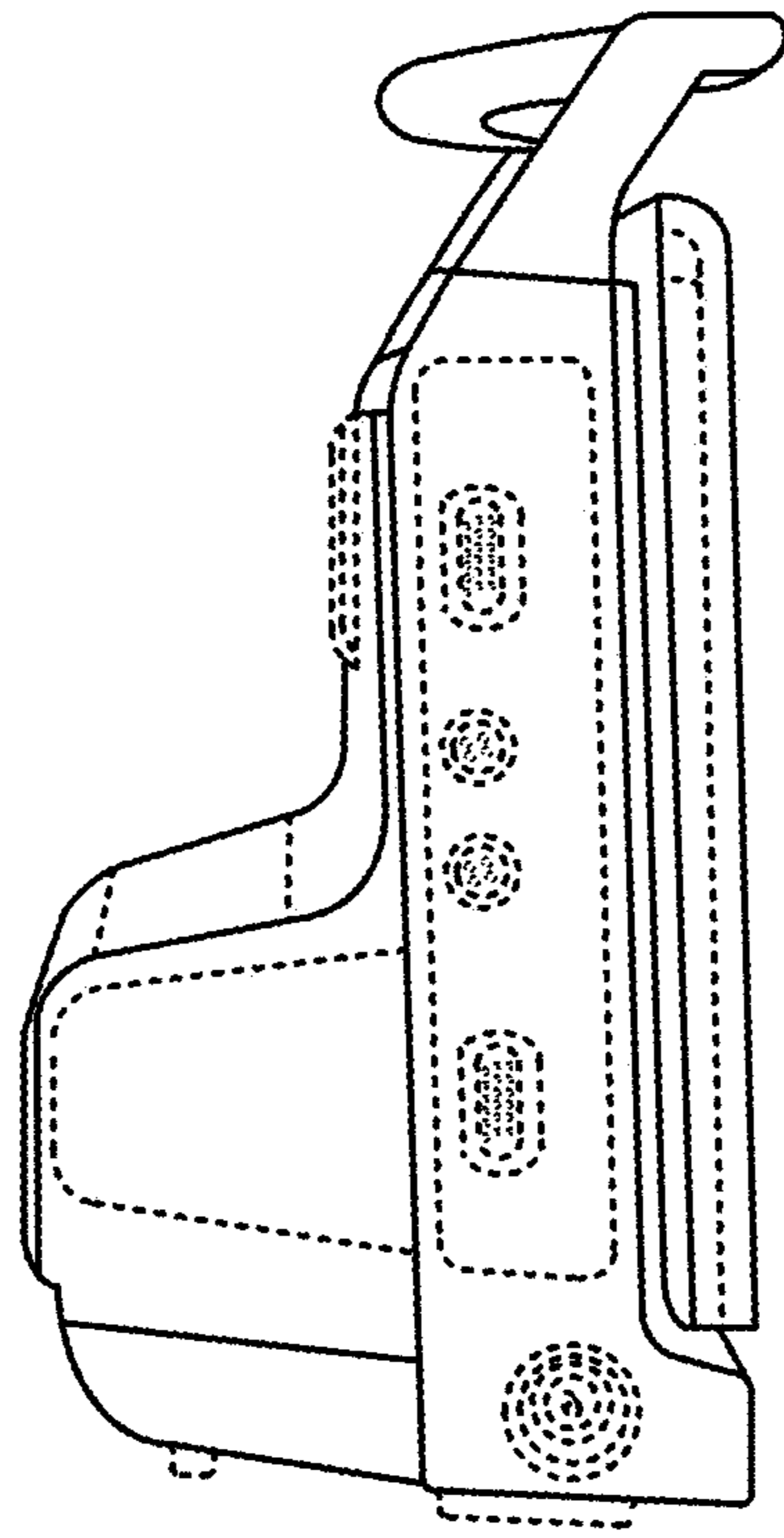


FIG. 4

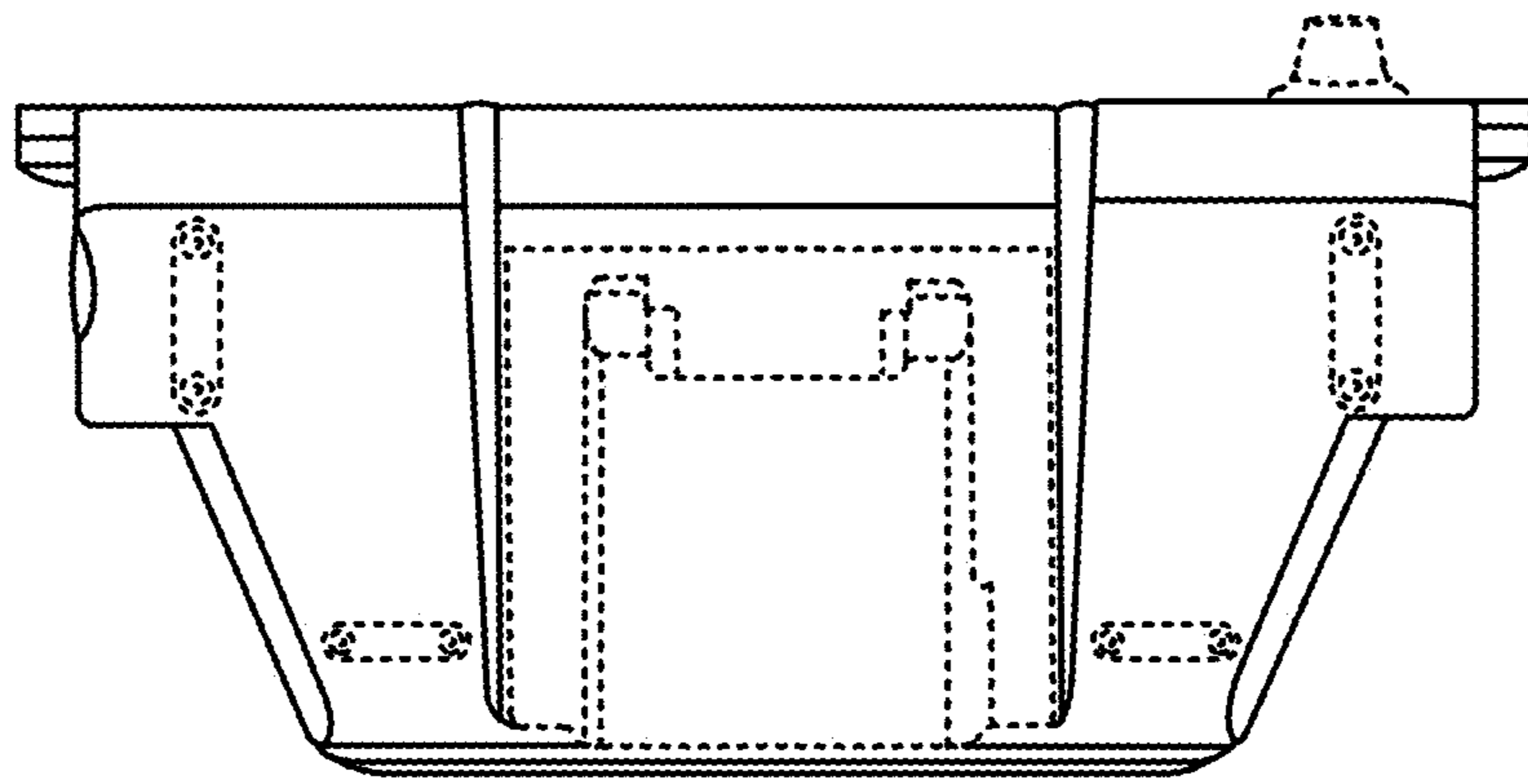


FIG. 5

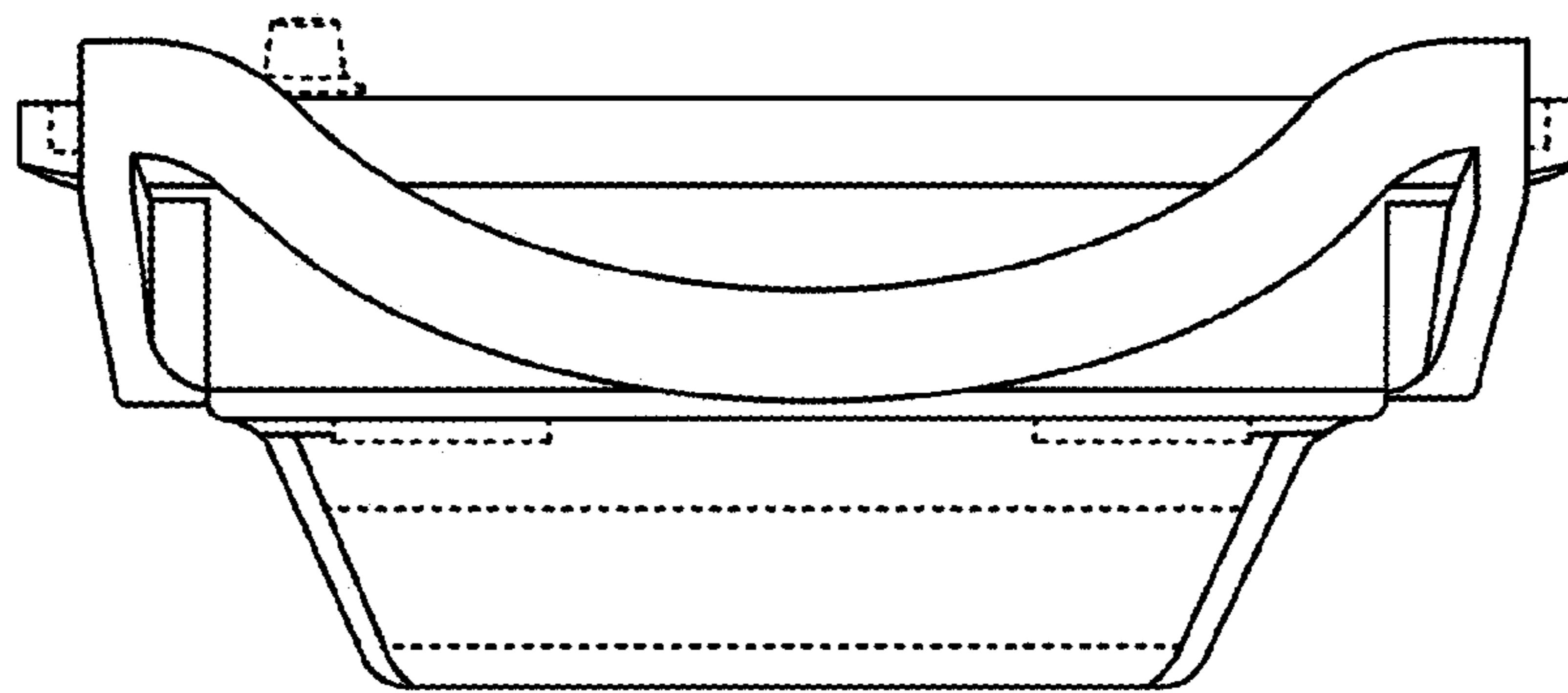


FIG. 6