



US00D748804S

(12) **United States Design Patent**
Eenboom et al.

(10) **Patent No.:** **US D748,804 S**
(45) **Date of Patent:** **** Feb. 2, 2016**

(54) **PATIENT TABLE**
(71) Applicant: **Siemens Aktiengesellschaft**, Munich (DE)
(72) Inventors: **Frauke Eenboom**, Erlangen (DE); **Florian Hilbig**, Berg (DE); **Christof Knoess**, Forchheim (DE); **Stefan Reichelt**, Bamberg (DE)
(73) Assignee: **Siemens Aktiengesellschaft**, Munich (DE)
(**) Term: **14 Years**

| | | | | |
|-------------------|---------|-------------------------|-------|---------|
| D344,802 S * | 3/1994 | Kuck et al. | | D24/183 |
| 5,564,662 A * | 10/1996 | Lussi et al. | | 5/310 |
| 5,645,313 A * | 7/1997 | Best et al. | | 297/68 |
| D407,819 S * | 4/1999 | Markoll | | D24/183 |
| 6,038,718 A * | 3/2000 | Pennington et al. | | 5/618 |
| D439,670 S * | 3/2001 | Sommer | | D24/183 |
| D441,868 S * | 5/2001 | Rodenas Santiago et al. | | D24/183 |
| D453,968 S * | 2/2002 | Zachrisson | | D24/183 |
| D462,445 S * | 9/2002 | Barde et al. | | D24/183 |
| D527,459 S * | 8/2006 | Gireesh | | D24/183 |
| D553,246 S * | 10/2007 | Banryu | | D24/183 |
| D630,330 S * | 1/2011 | Baba | | D24/159 |
| D681,208 S * | 4/2013 | Ninomiya et al. | | D24/159 |
| D701,605 S * | 3/2014 | Ohmukai | | D24/183 |
| 2004/0148703 A1 * | 8/2004 | Doering et al. | | 5/610 |

* cited by examiner

(21) Appl. No.: **29/490,741**
(22) Filed: **May 13, 2014**
(30) **Foreign Application Priority Data**

Primary Examiner — T. Chase Nelson
Assistant Examiner — Mark Cavanna
(74) *Attorney, Agent, or Firm* — Schiff Hardin LLP

Nov. 13, 2013 (EM) 001389563
(51) **LOC (10) Cl.** **24-01**
(52) **U.S. Cl.**
USPC **D24/183**
(58) **Field of Classification Search**
USPC D24/183–184, 200, 158–159;
D6/382–383, 392; 5/600–619;
297/330, 423.19, 68
See application file for complete search history.

(57) **CLAIM**
An ornamental design of a patient table, as shown and described.

(56) **References Cited**
U.S. PATENT DOCUMENTS
D221,910 S * 9/1971 Brandgard D24/183
3,868,103 A * 2/1975 Pageot et al. 5/614
D249,359 S * 9/1978 Stott et al. D24/183
D260,172 S * 8/1981 Kyle D24/183
D270,182 S * 8/1983 Wagner D24/159
4,508,387 A * 4/1985 Gilbert et al. 297/423.19
4,589,642 A * 5/1986 Schnelle et al. 5/608
4,865,303 A * 9/1989 Hall 5/614
D304,614 S * 11/1989 Guttormsen D24/183

DESCRIPTION
FIG. 1 is a front elevational view of a patient table;
FIG. 2 is a rear elevational view of the patient table of FIG. 1;
FIG. 3 is as top plan view of the patient table of FIG. 1;
FIG. 4 is a bottom plan view of the patient table of FIG. 1;
FIG. 5 is a right side elevational view of the patient table of FIG. 1;
FIG. 6 is a left side elevational view of the patient table of FIG. 1; and,
FIG. 7 is a perspective view from a direction between the front and right side of the patient table of FIG. 1.
The broken lines are included for the purpose of illustrating unclaimed portions of the patient table and form no part of the claim design.

1 Claim, 7 Drawing Sheets

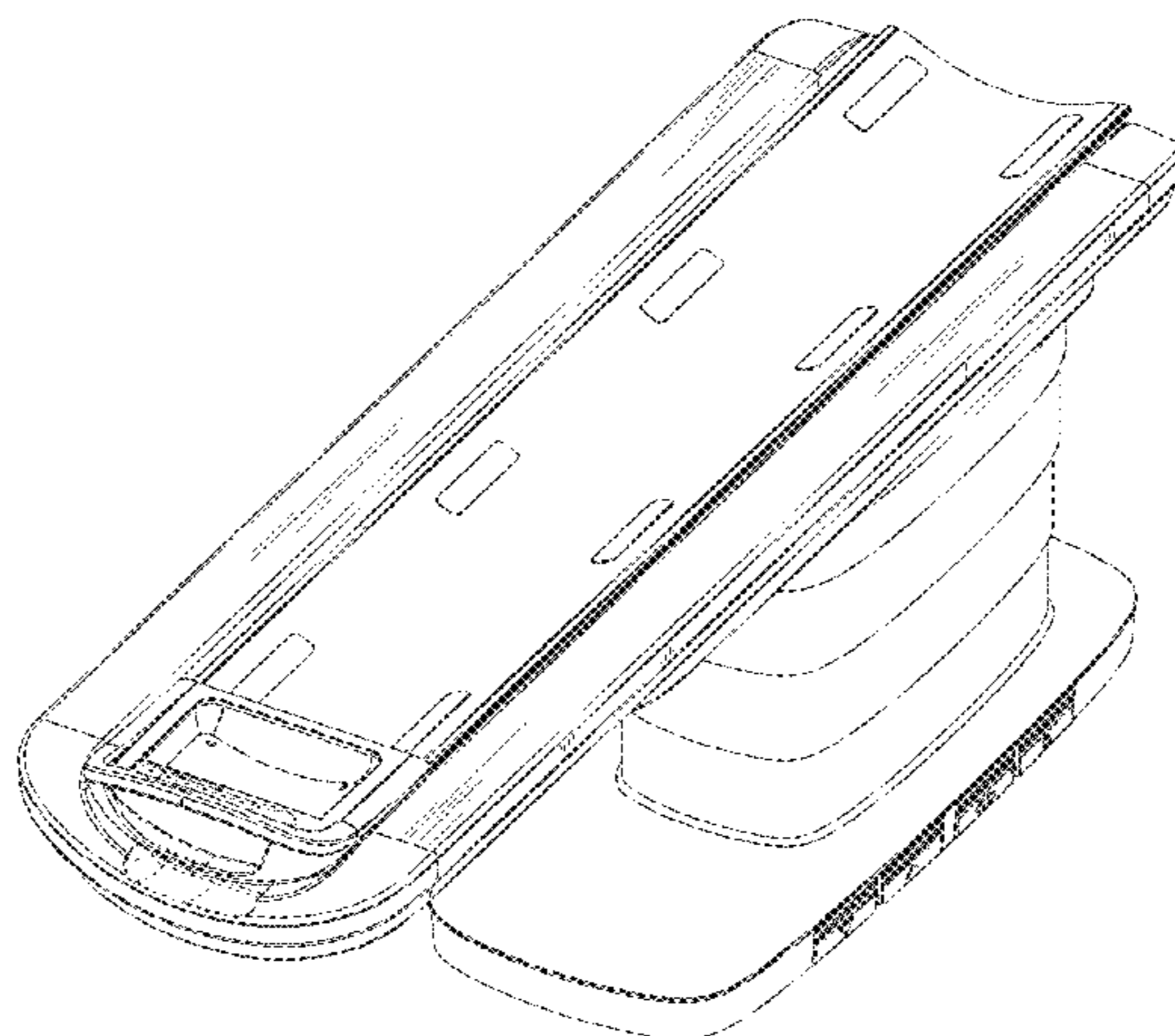


FIG. 1

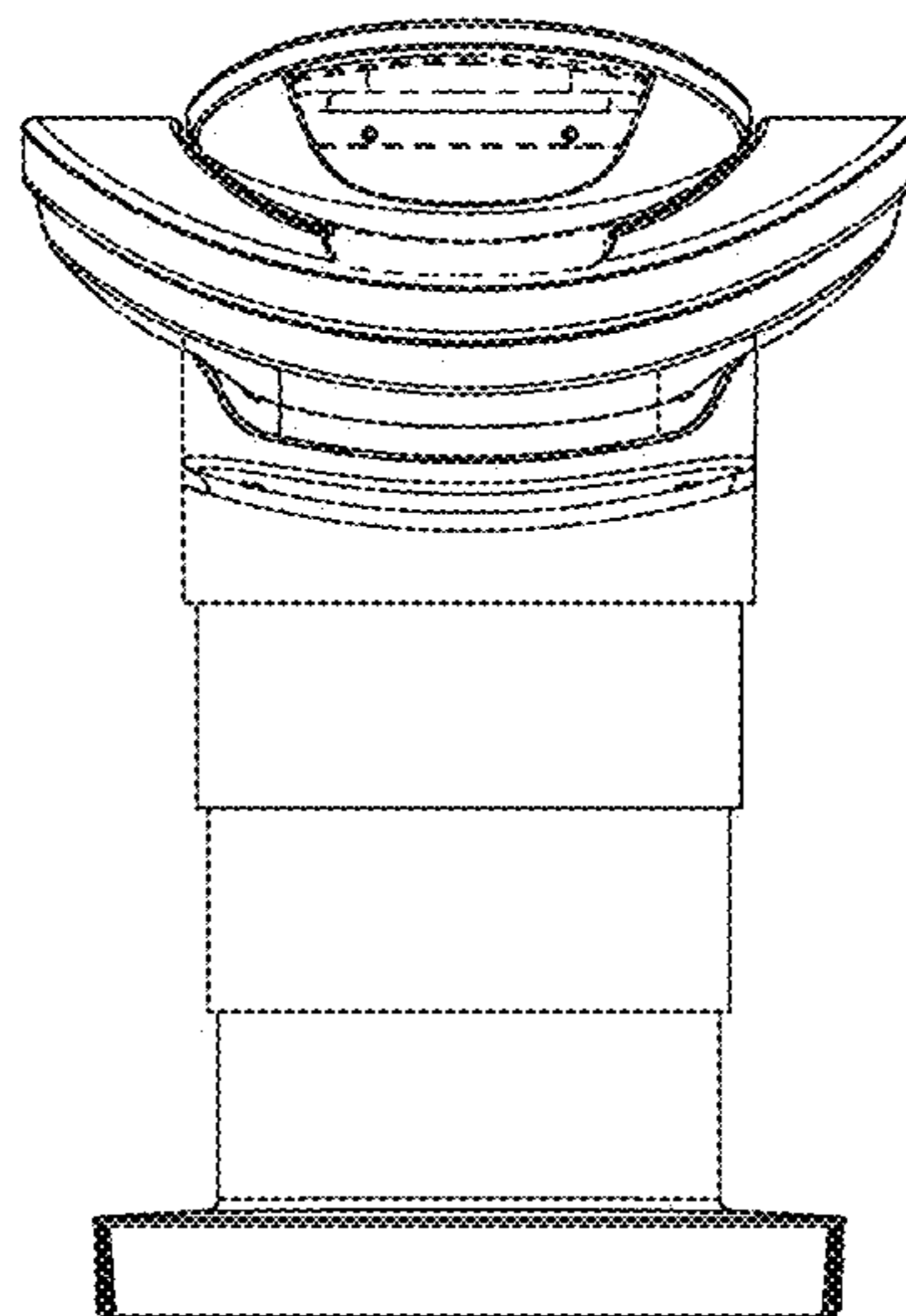


FIG. 2

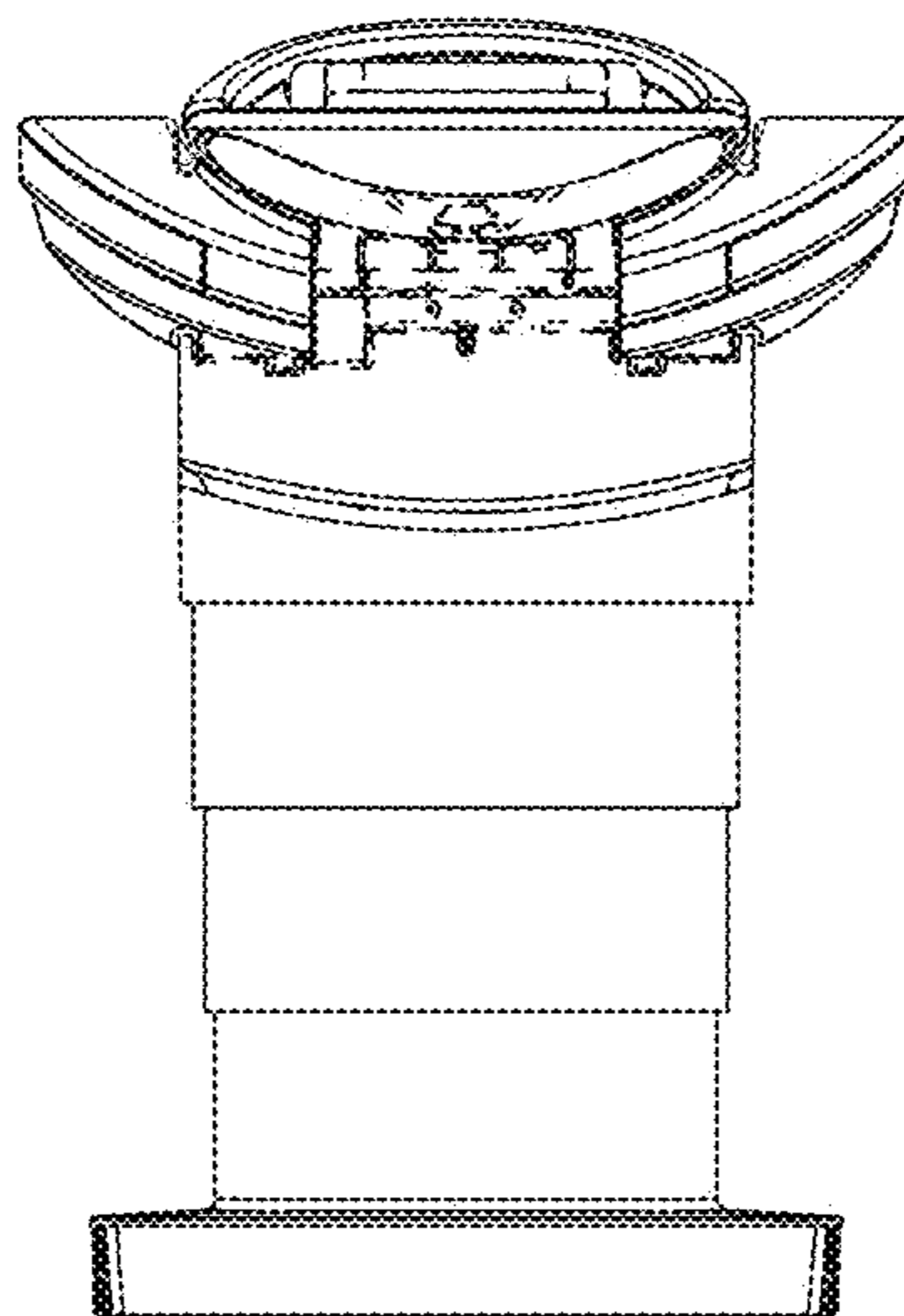


FIG. 3

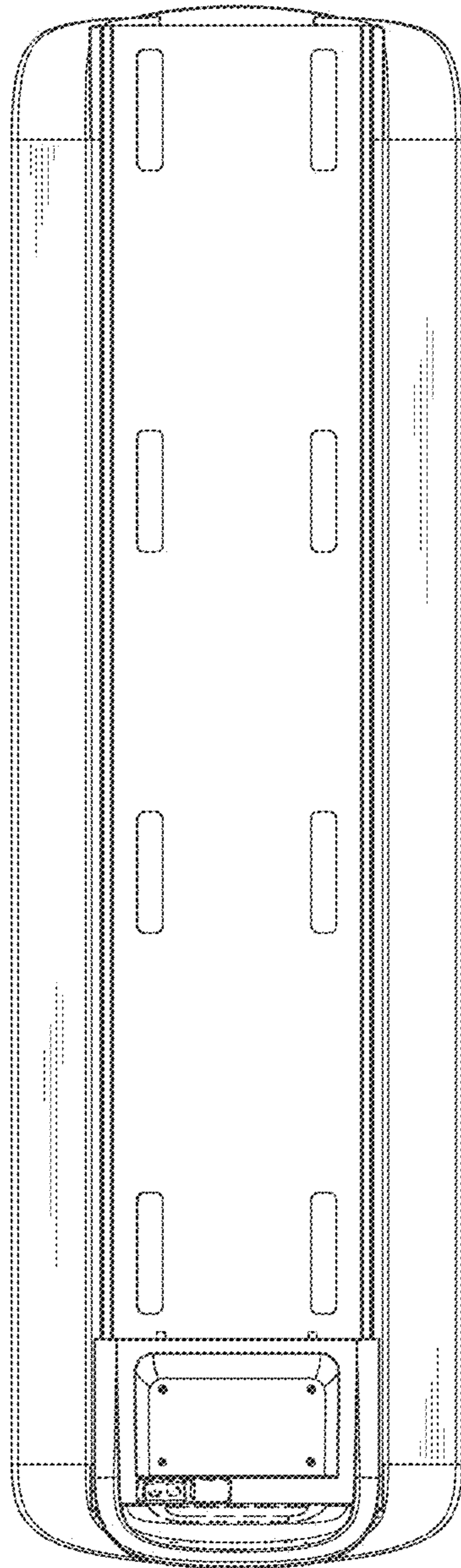


FIG. 4

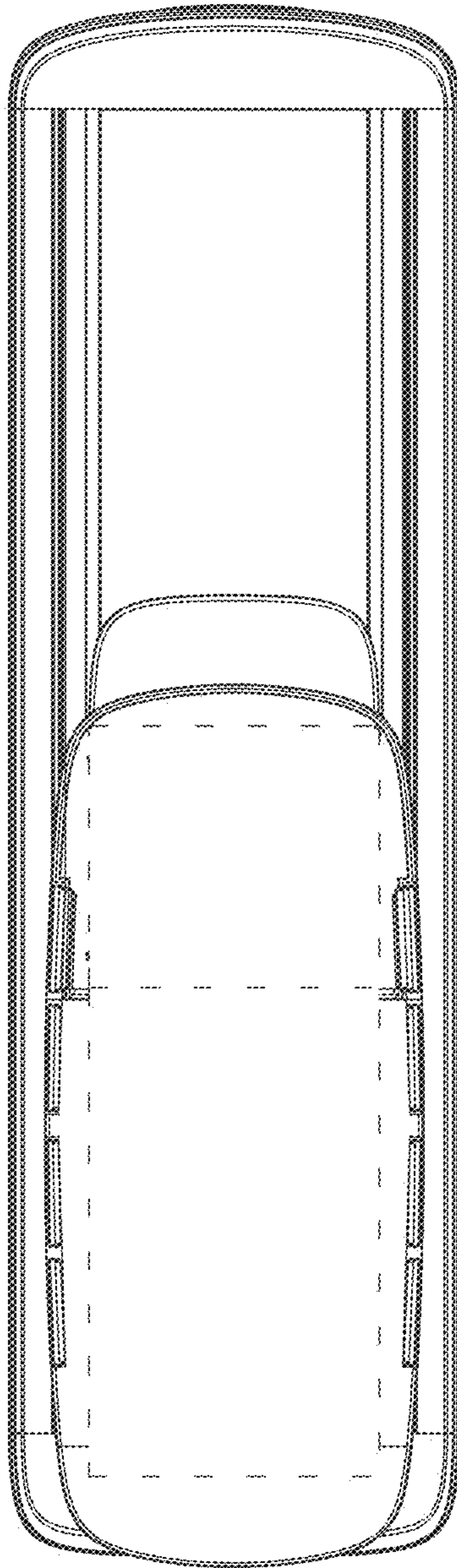


FIG. 5

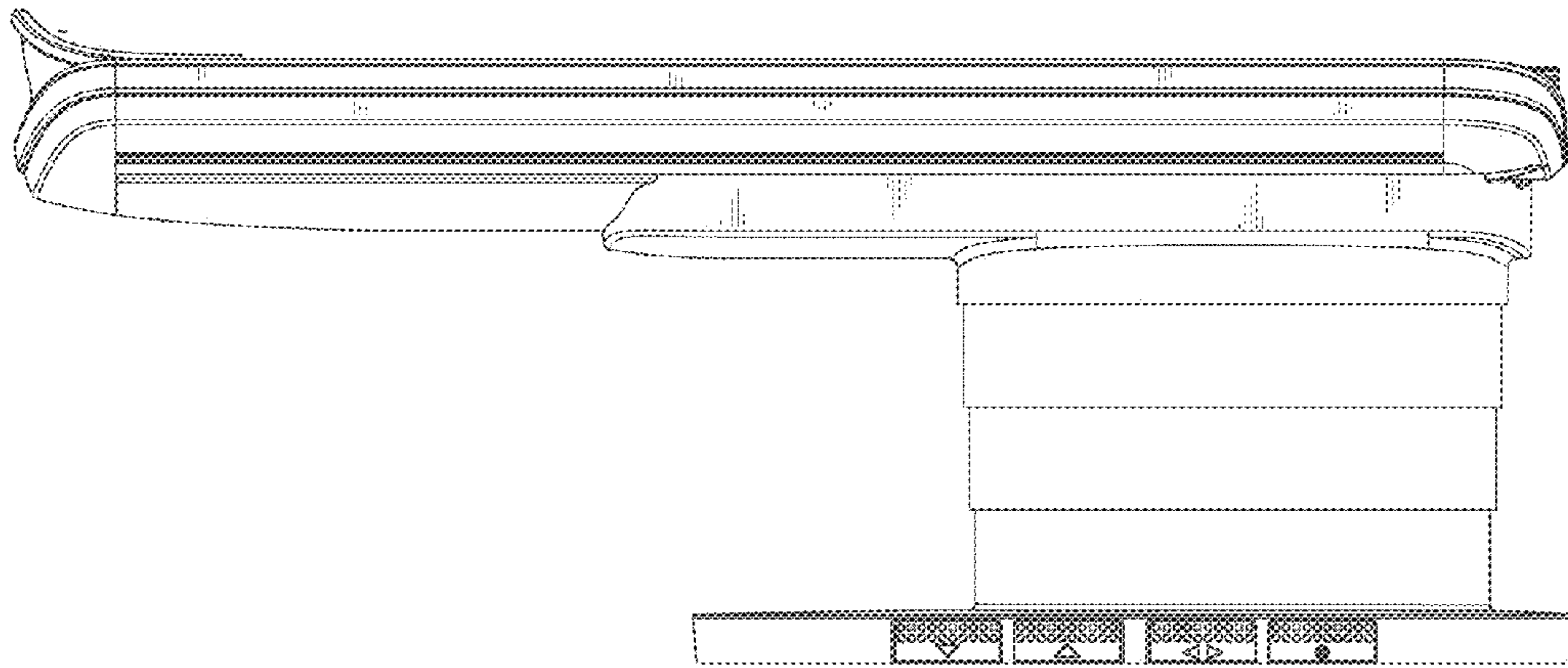


FIG. 6

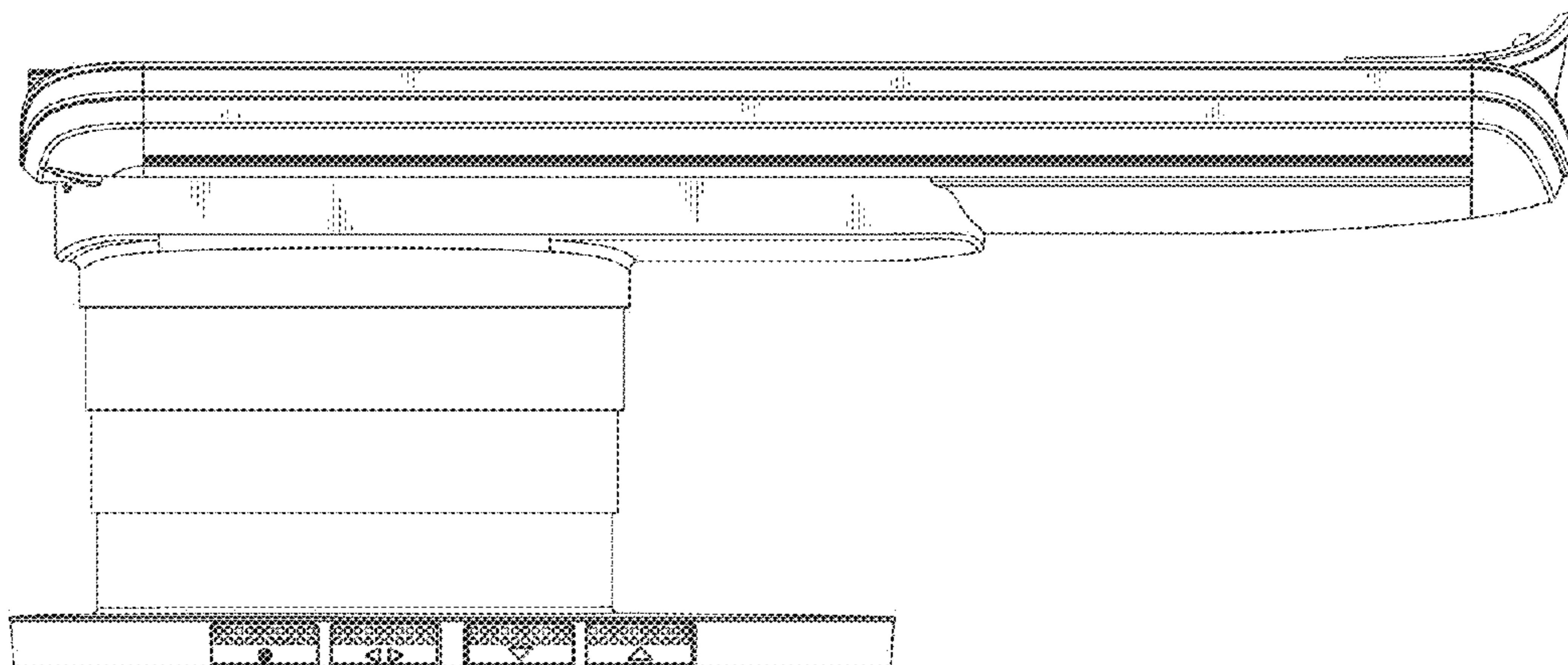


FIG. 7

