



US00D748803S

(12) **United States Design Patent**  
**Zhang et al.**

(10) **Patent No.:** **US D748,803 S**  
(45) **Date of Patent:** **\*\* Feb. 2, 2016**

(54) **ELECTROSURGICAL GENERATOR**

(71) Applicant: **COVIDIEN LP**, Mansfield, MA (US)

(72) Inventors: **Yong Zhang**, Shanghai (CN); **Pu Liu**, Shanghai (CN); **Rui Hong**, Guangdong (CN); **Peining Sun**, Shanghai (CN); **Peter B. Madson**, Shanghai (CN); **Benoit Marcel Guy Vitoux**, Shanghai (CN); **William L. Drake, Jr.**, Lyons, CO (US)

(73) Assignee: **Covidien LP**, Mansfield, MA (US)

(\*\*) Term: **14 Years**

(21) Appl. No.: **29/495,019**

(22) Filed: **Jun. 26, 2014**

(51) **LOC (10) Cl.** ..... **24-00**

(52) **U.S. Cl.**  
USPC ..... **D24/170**

(58) **Field of Classification Search**  
USPC ..... D24/170, 232, 144, 138, 169, 222;  
D13/112, 116; 606/34, 45, 37, 48, 21,  
606/29, 33; 604/21; 227/179.1, 180.1,  
227/175.1  
CPC ..... A61B 18/1206; A61B 18/1402; A61B  
18/08; A61B 17/115; A61B 17/07207; A61B  
18/1815

See application file for complete search history.

(56) **References Cited**

**U.S. PATENT DOCUMENTS**

D264,122 S	4/1982	Oosten et al.	
4,593,691 A *	6/1986	Lindstrom	A61B 18/1402 219/234
4,903,696 A *	2/1990	Stasz	A61B 18/1206 606/37
5,041,110 A *	8/1991	Fleenor	A61B 18/042 606/34
5,160,334 A *	11/1992	Billings	A61B 18/1206 604/35
D349,343 S	8/1994	Hannon et al.	
D351,655 S *	10/1994	Smith	D24/143

D359,353 S *	6/1995	Butter	D24/144
D411,622 S *	6/1999	Hall	D24/144
6,068,627 A *	5/2000	Orszulak	A61B 18/12 606/34
6,080,149 A	6/2000	Huang et al.	
6,293,941 B1 *	9/2001	Strul	A61B 18/1206 606/34
6,364,877 B1 *	4/2002	Goble	A61B 18/082 606/34
D477,408 S	7/2003	Bromley	
D491,666 S	6/2004	Kimmell et al.	

(Continued)

*Primary Examiner* — Holly Baynham

*Assistant Examiner* — Rhea Shields

(57) **CLAIM**

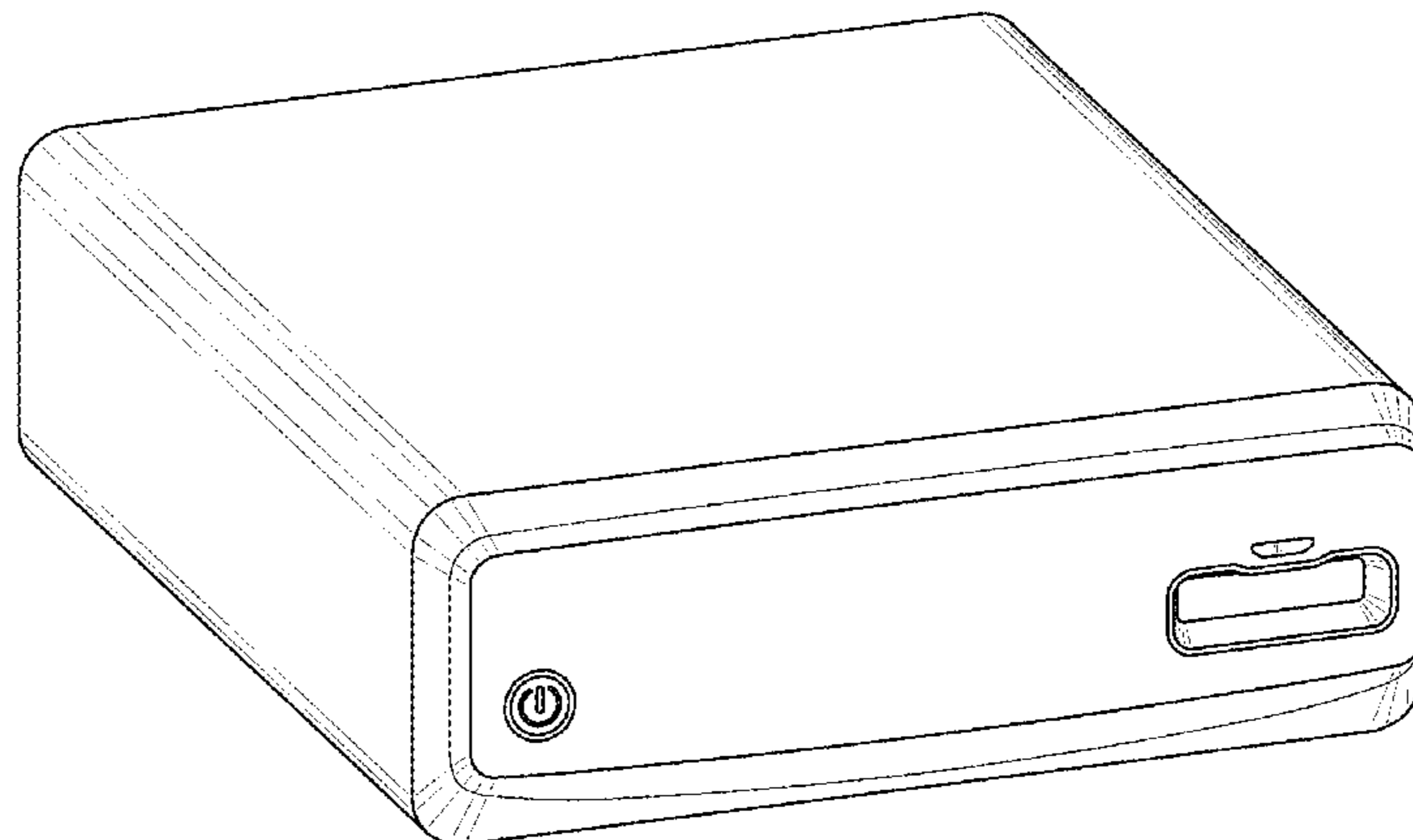
The ornamental design for an electrosurgical generator, as shown and described.

**DESCRIPTION**

FIG. 1 is a perspective view of an electrosurgical generator in accordance with a first embodiment of the present design; FIG. 2 is a front view of the electrosurgical generator of FIG. 1; FIG. 3 is a rear view of the electrosurgical generator of FIG. 1; FIG. 4 is a left side view of the electrosurgical generator of FIG. 1; FIG. 5 is a right side view of the electrosurgical generator of FIG. 1; FIG. 6 is a top view of the electrosurgical generator of FIG. 1; FIG. 7 is a bottom view of the electrosurgical generator of FIG. 1; FIG. 8 is a perspective view of an electrosurgical generator in accordance with a second embodiment of the present design; FIG. 9 is a front view of the electrosurgical generator of FIG. 8; FIG. 10 is a perspective view of an electrosurgical generator in accordance with a third embodiment of the present design; and, FIG. 11 is a front view of the electrosurgical generator of FIG. 10.

In the drawings, the broken lines are for the purpose of illustrating environment only and form no part of the claimed design.

**1 Claim, 7 Drawing Sheets**



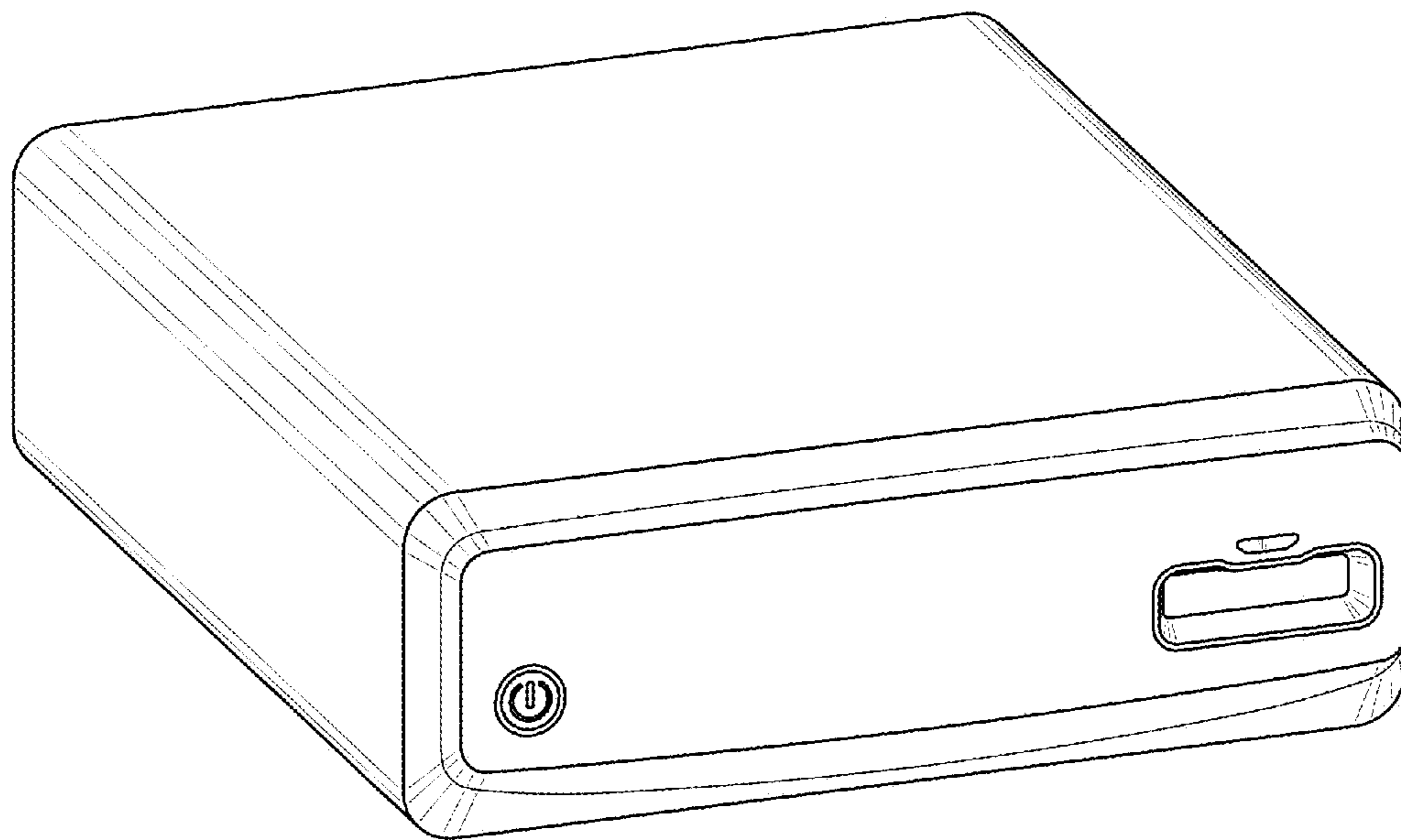
(56)

**References Cited**

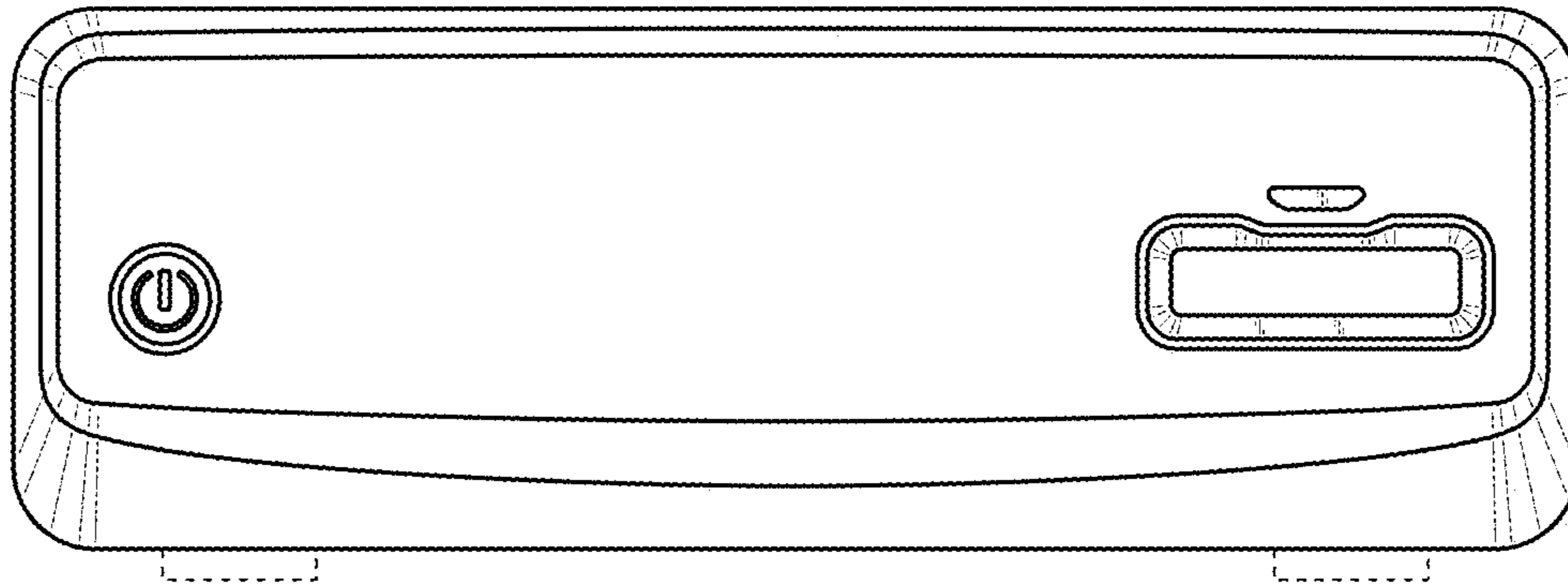
U.S. PATENT DOCUMENTS

7,131,860 B2 *	11/2006	Sartor .....	A61B 18/1206 439/42	D697,081 S *	1/2014	van Dongen .....	D14/489
D547,718 S *	7/2007	Helgeson .....	D13/116	D704,839 S	5/2014	Juzkiw et al.	
D550,357 S *	9/2007	Hayamizu .....	D24/107	D707,705 S *	6/2014	Folken .....	D14/490
D552,241 S	10/2007	Bromley et al.		D708,221 S *	7/2014	Danton .....	D14/492
7,317,954 B2 *	1/2008	McGreevy .....	A61B 18/1206 378/168	D712,031 S *	8/2014	Feng .....	D24/144
D567,761 S *	4/2008	Waler .....	D13/112	D712,352 S *	9/2014	George .....	D13/112
D574,323 S	8/2008	Waler		D712,353 S *	9/2014	George .....	D13/112
D676,457 S	2/2013	Frost et al.		D712,833 S *	9/2014	George .....	D13/112
D681,211 S *	4/2013	Glassett .....	D24/170	D715,932 S *	10/2014	Mirrer .....	D24/138
D681,231 S *	4/2013	Steinhauer .....	D10/81	D716,470 S *	10/2014	Nelsen .....	D24/107
D687,063 S *	7/2013	Myung .....	D14/489	D725,782 S *	3/2015	Gill .....	D24/169
D687,146 S	7/2013	Juzkiw et al.		2004/0015203 A1 *	1/2004	McGraw .....	A61N 1/326 607/48
D695,407 S	12/2013	Price et al.		2009/0118802 A1 *	5/2009	Mioduski .....	A61B 18/1233 607/102
				2014/0330266 A1 *	11/2014	Thompson .....	A61B 18/1206 606/34

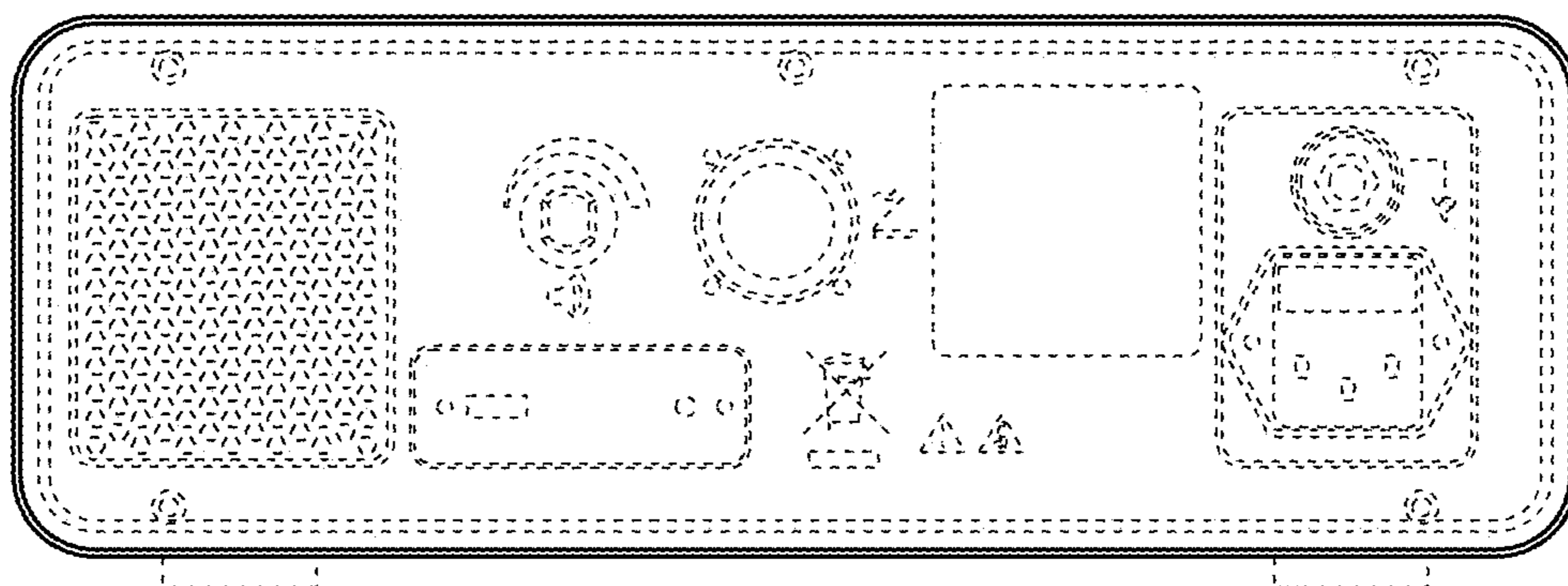
\* cited by examiner



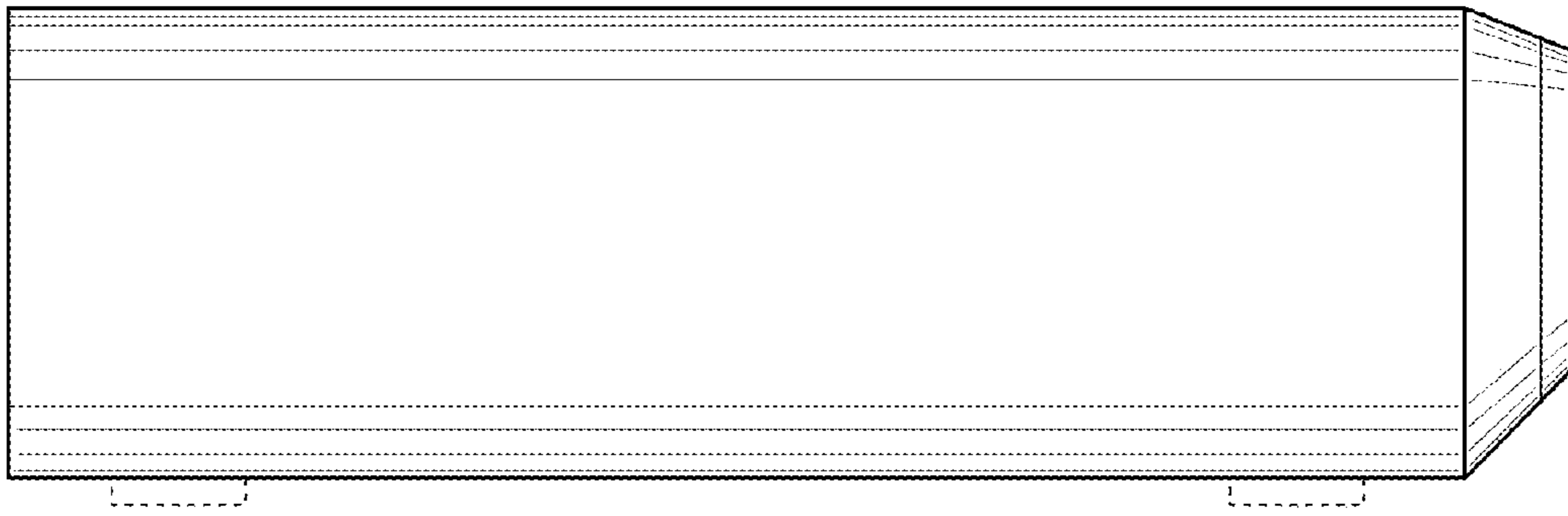
*Fig. 1*



**Fig. 2**



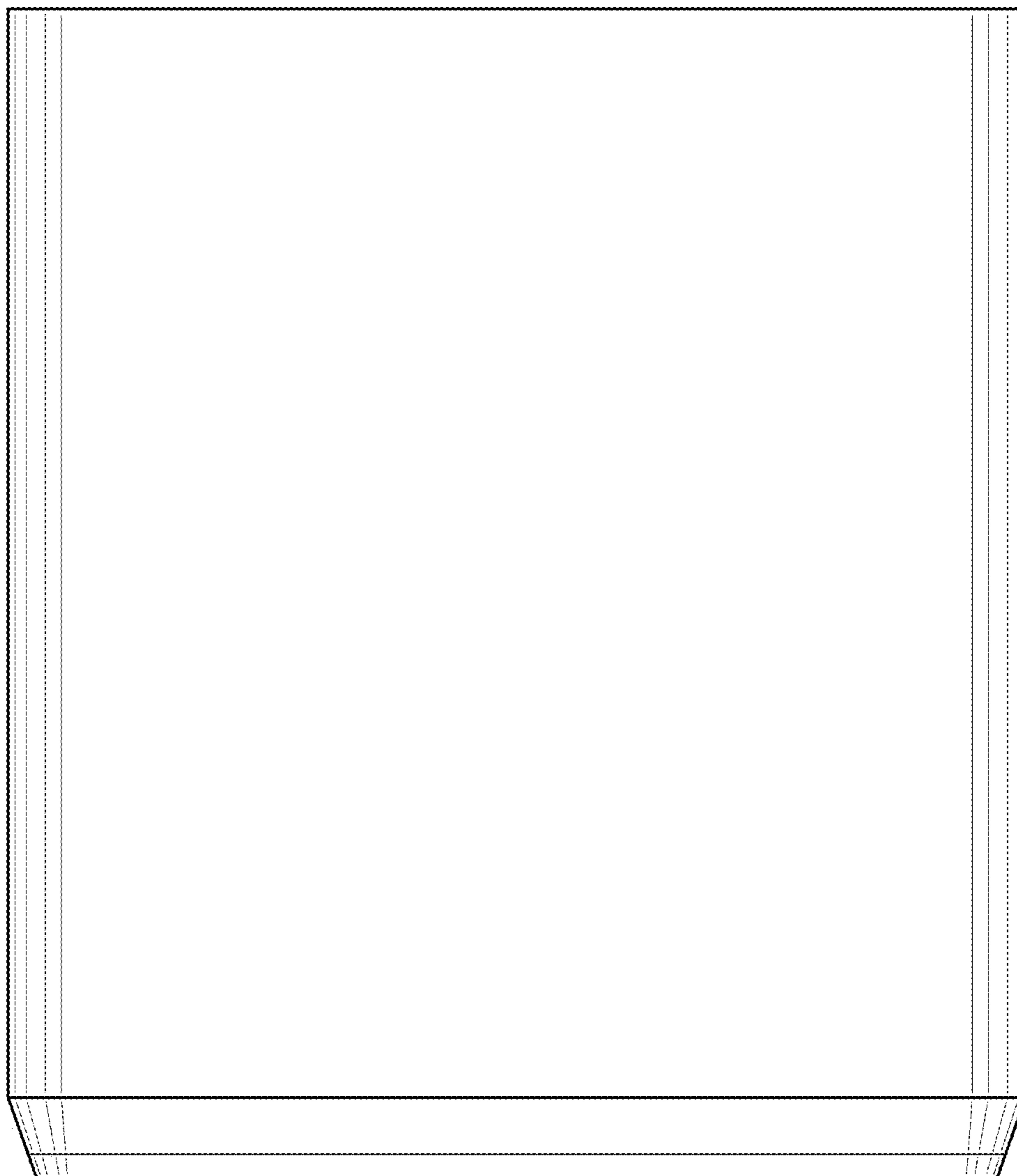
**Fig. 3**



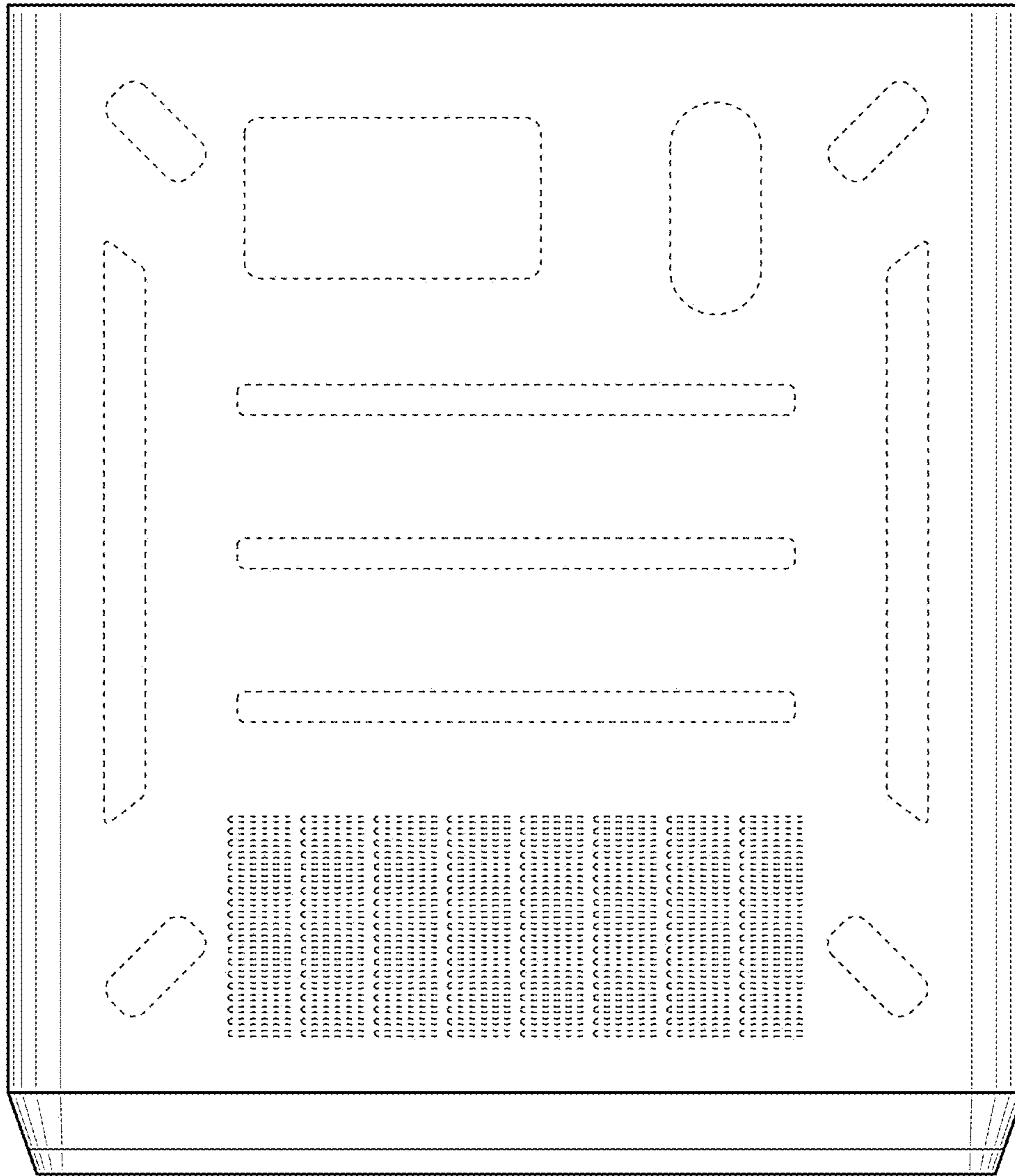
**Fig. 4**



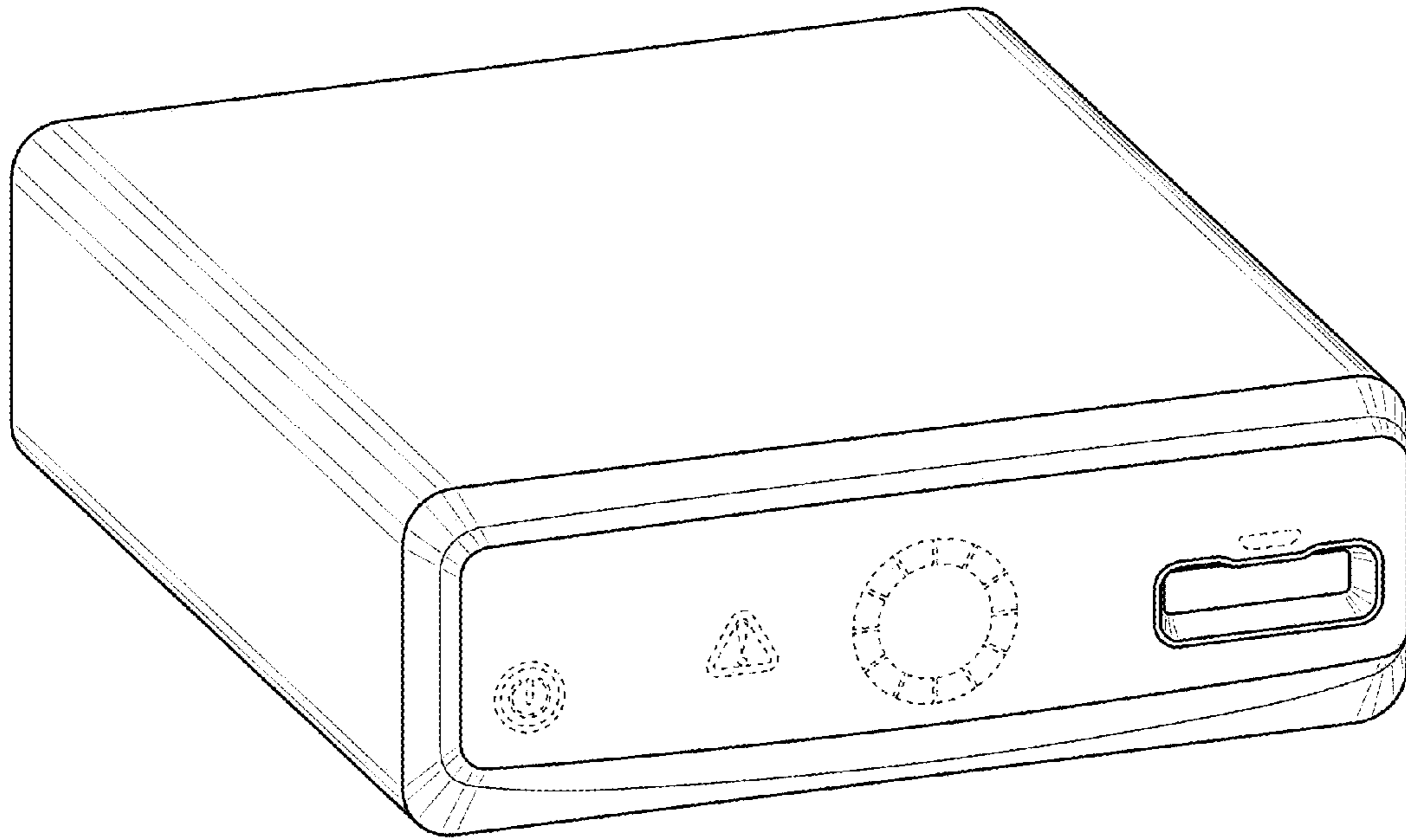
**Fig. 5**



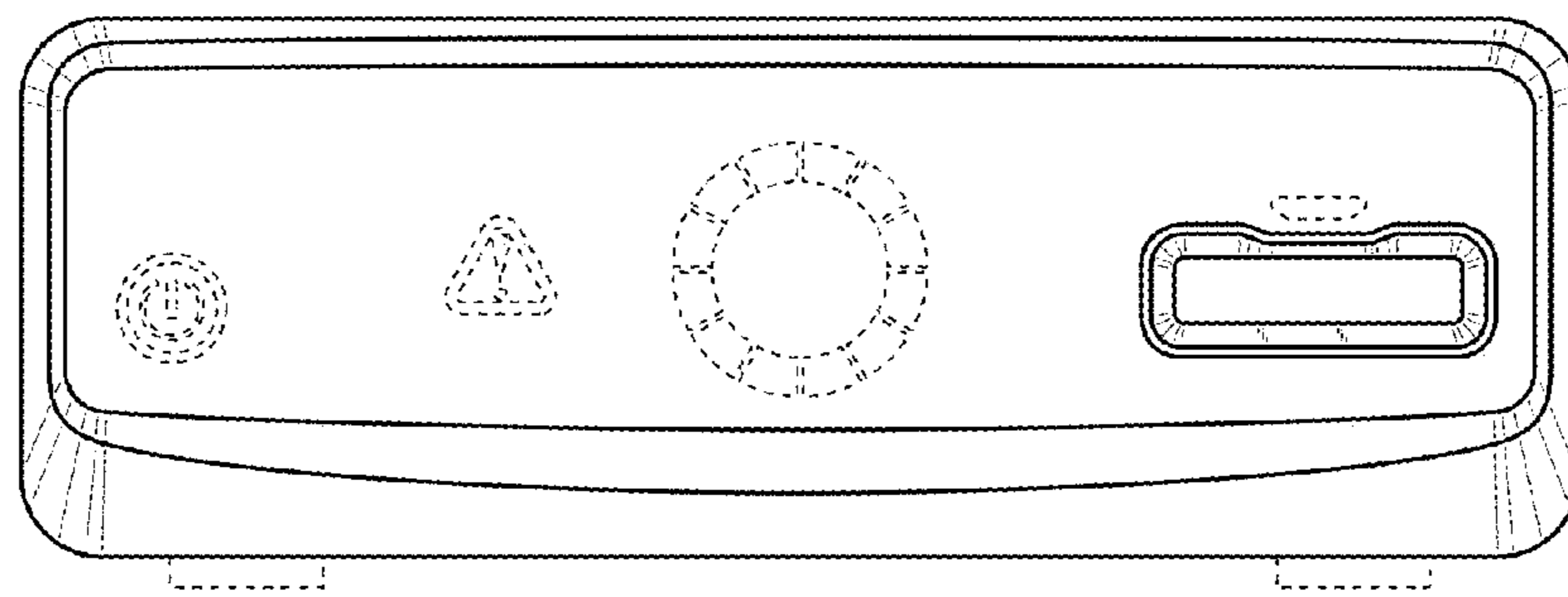
***Fig. 6***



**Fig. 7**

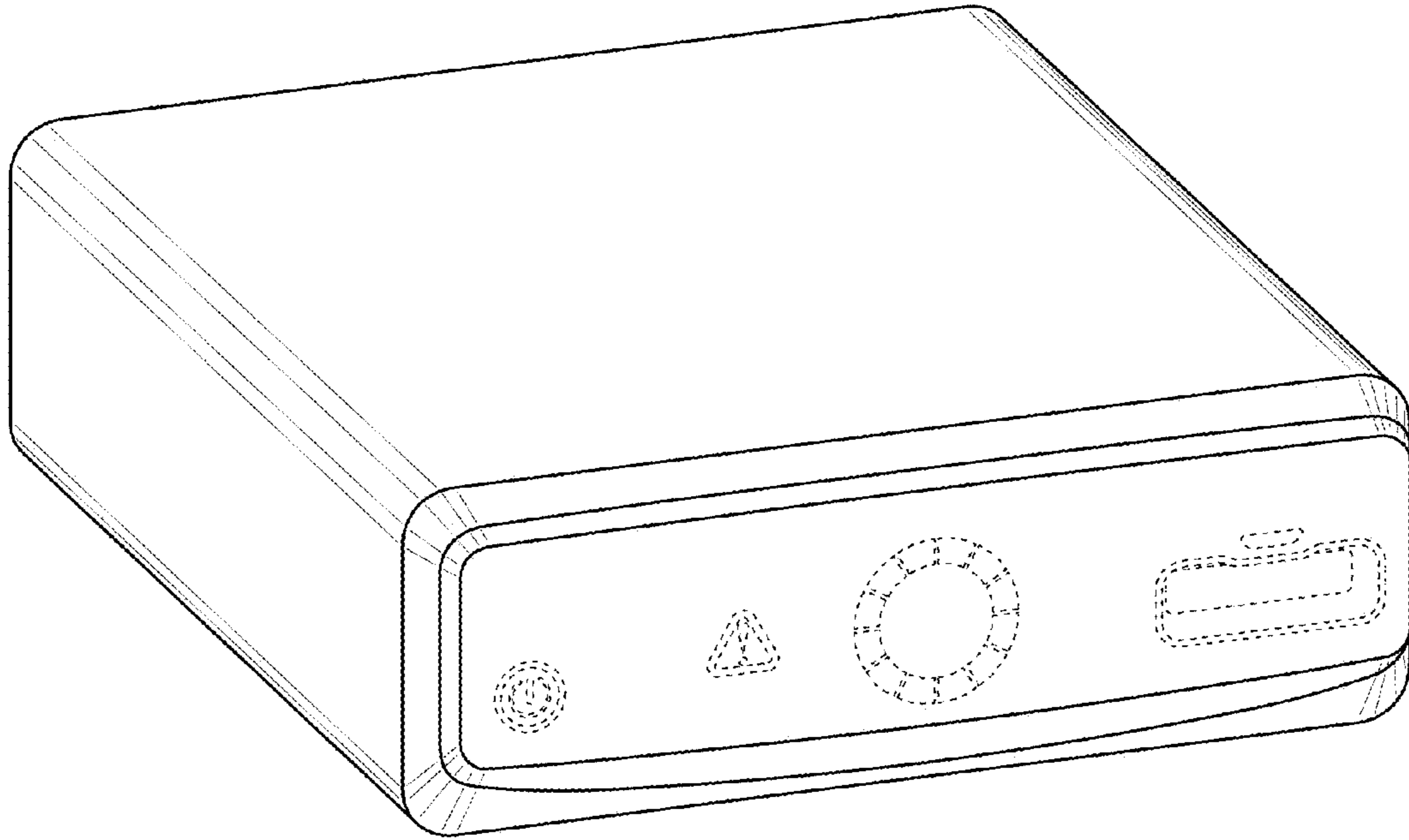


**Fig. 8**

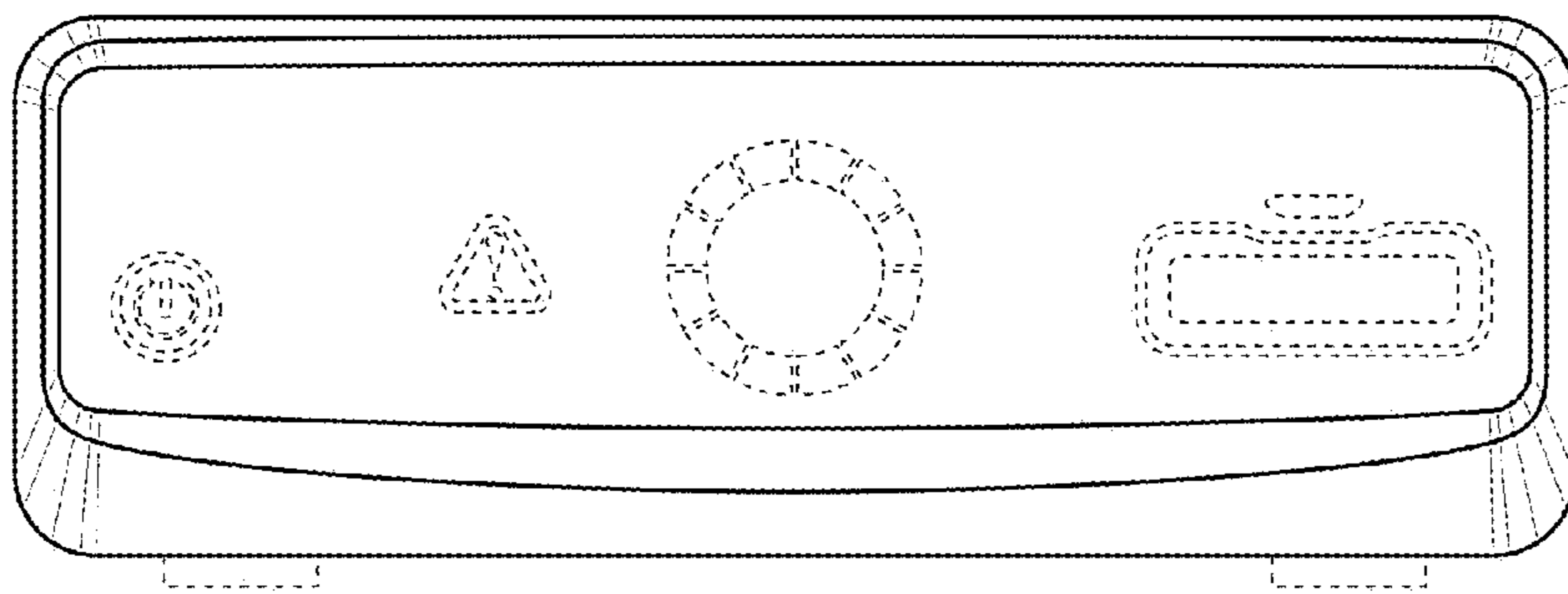


**Fig. 9**





**Fig. 10**



**Fig. 11**