



US00D748799S

(12) **United States Design Patent**
Ohmukai et al.

(10) **Patent No.:** **US D748,799 S**
(45) **Date of Patent:** **** Feb. 2, 2016**

(54) **X-RAY APPARATUS FOR MEDICAL TREATMENT**

(71) Applicants: **Kabushiki Kaisha Toshiba**, Minato-ku, Tokyo (JP); **Toshiba Medical Systems Corporation**, Otawara-shi, Tochigi-ken (JP)

(72) Inventors: **Shinya Ohmukai**, Tokyo (JP); **Kentaro Ichise**, Tokyo (JP)

(73) Assignees: **Kabushiki Kaisha Toshiba**, Minato-ku, Tokyo (JP); **Toshiba Medical Systems Corporation**, Otawara-shi, Tochigi-ken (JP)

(**) Term: **14 Years**

(21) Appl. No.: **29/525,388**

(22) Filed: **Apr. 29, 2015**

(30) **Foreign Application Priority Data**

Oct. 29, 2014 (JP) 2014-024205

(51) **LOC (10) Cl.** **24-01**

(52) **U.S. Cl.**
USPC **D24/158**

(58) **Field of Classification Search**
USPC D24/158-161, 185, 186, 107
CPC A61B 6/06; A61B 6/4405; A61B 6/4411;
A61B 6/032; A61B 5/055; A61B 6/4441;
A61B 6/4435; G01N 2223/1016; G01N
2223/301; G01N 23/046; G01N 2223/031;
G01N 2223/419; G01R 33/48

See application file for complete search history.

(56) **References Cited**

U.S. PATENT DOCUMENTS

D378,133 S * 2/1997 Murakami D24/158
6,222,906 B1 * 4/2001 Sakaguchi A61B 6/06
257/E27.132
D480,142 S * 9/2003 Chikuma D24/158

D553,748 S * 10/2007 Ogiwara D24/158
D558,877 S * 1/2008 Ogiwara D24/158
D600,348 S * 9/2009 Dorre D24/158
D658,762 S * 5/2012 Yokoyama D24/158
D735,863 S * 8/2015 Doerre D24/158
D736,387 S * 8/2015 Dorre D24/158
2007/0121790 A1 * 5/2007 Grady A61B 6/4405
378/198
2011/0179895 A1 * 7/2011 Mueller A61B 6/4441
74/29
2015/0023470 A1 * 1/2015 Baumann A61B 6/4441
378/62

FOREIGN PATENT DOCUMENTS

JP D1003753 2/1998

* cited by examiner

Primary Examiner — Anhdao Doan

(74) *Attorney, Agent, or Firm* — Banner & Witcoff, Ltd.

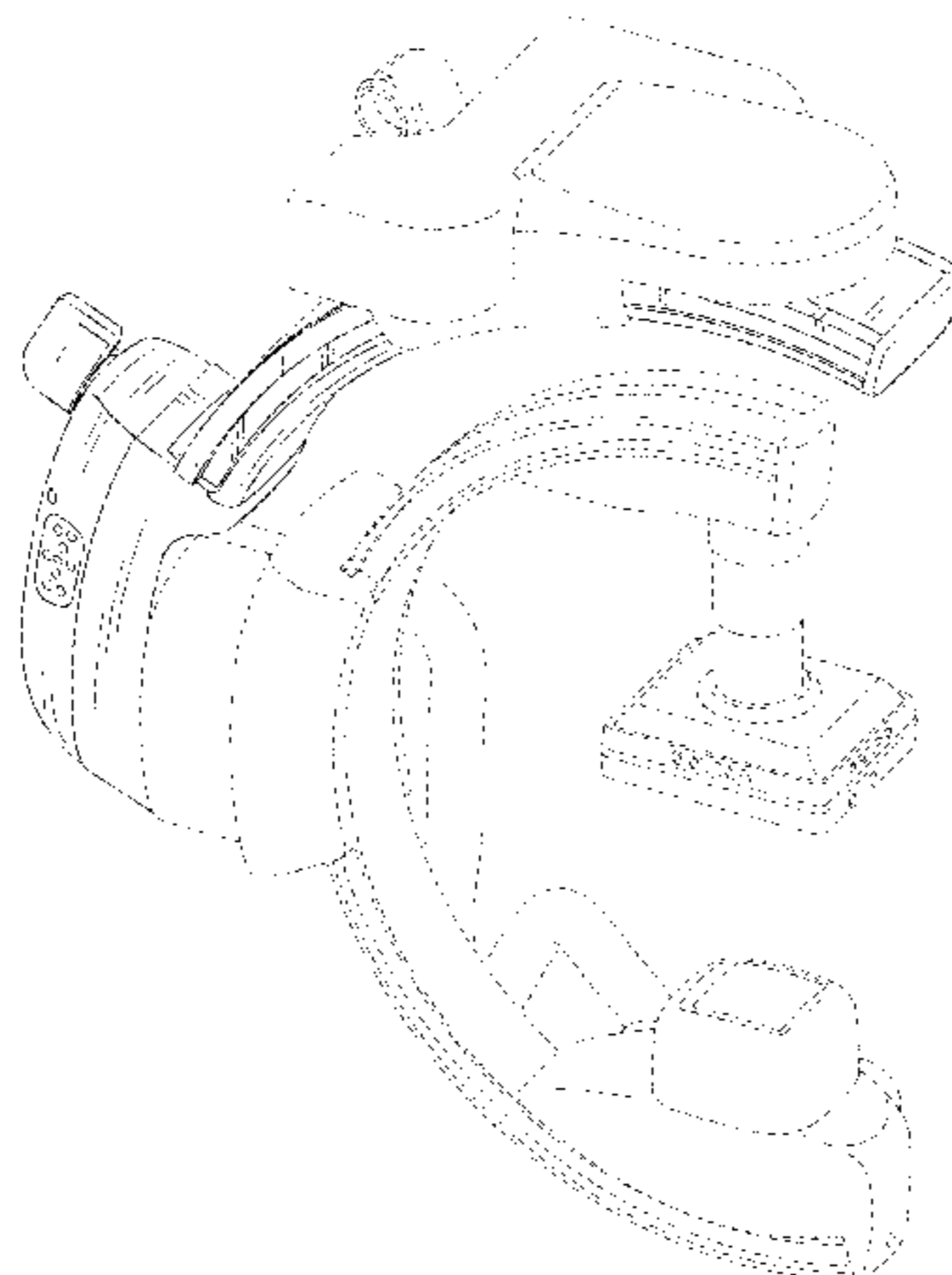
(57) **CLAIM**

The ornamental design for a X-ray apparatus for medical treatment, as shown and described.

DESCRIPTION

FIG. 1 is a front, top and right side perspective view of a X-ray apparatus for medical treatment, showing our new design; FIG. 2 is a rear, top and left side perspective view thereof; FIG. 3 is a front view thereof; FIG. 4 is a rear view thereof; FIG. 5 is a top view thereof; FIG. 6 is a bottom view thereof; FIG. 7 is a left side view thereof; FIG. 8 is a right side view thereof; FIG. 9 is a cross sectional view thereof, taken along the line 9-9 in FIG. 3 with its internal mechanisms omitted; and, FIG. 10 is a reduced front view thereof, showing the state of the slide rail, which is rotated along the arc. The broken lines are for illustrative purpose only and form no part of the claimed design.

1 Claim, 10 Drawing Sheets



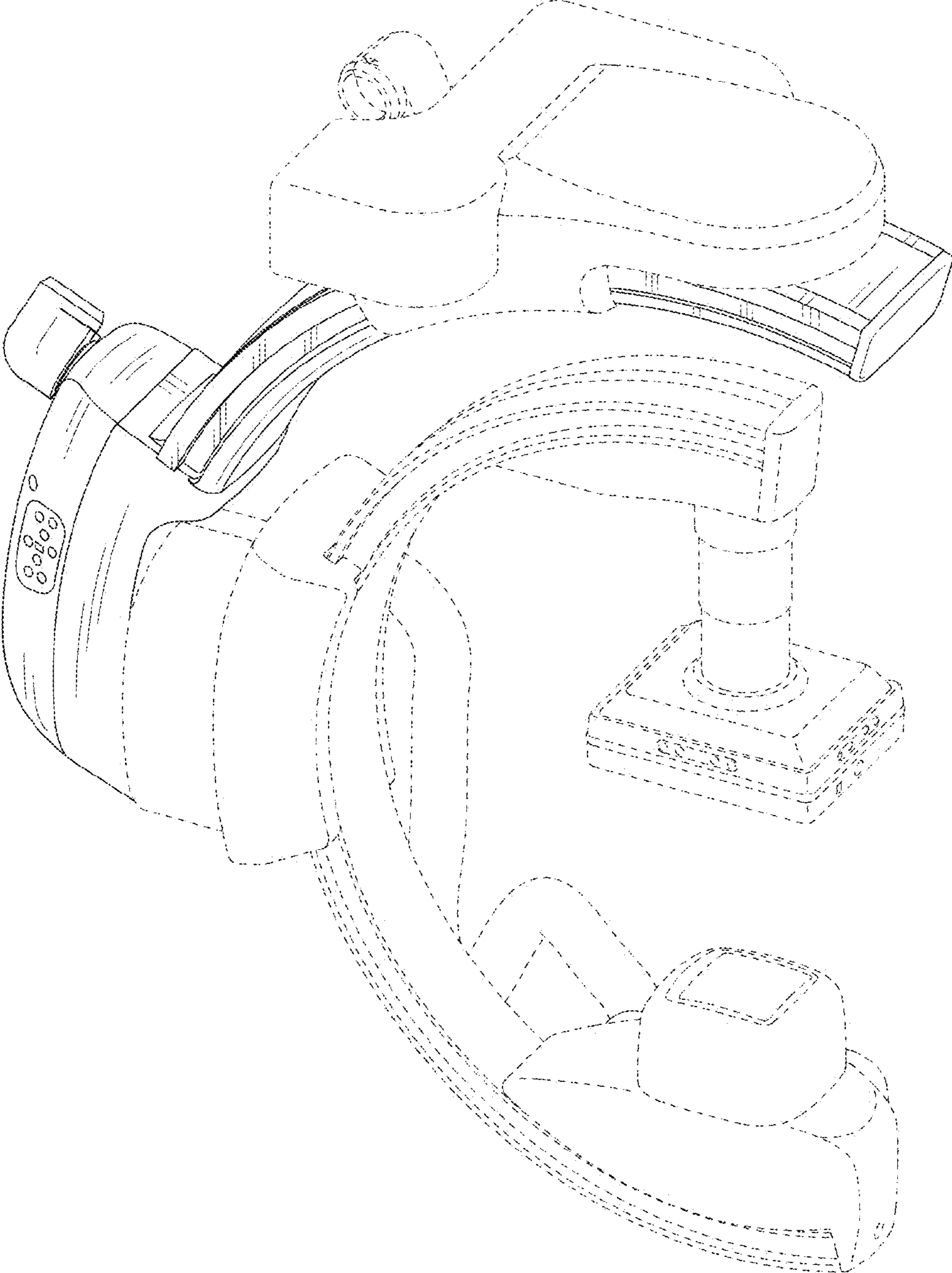


Fig. 1

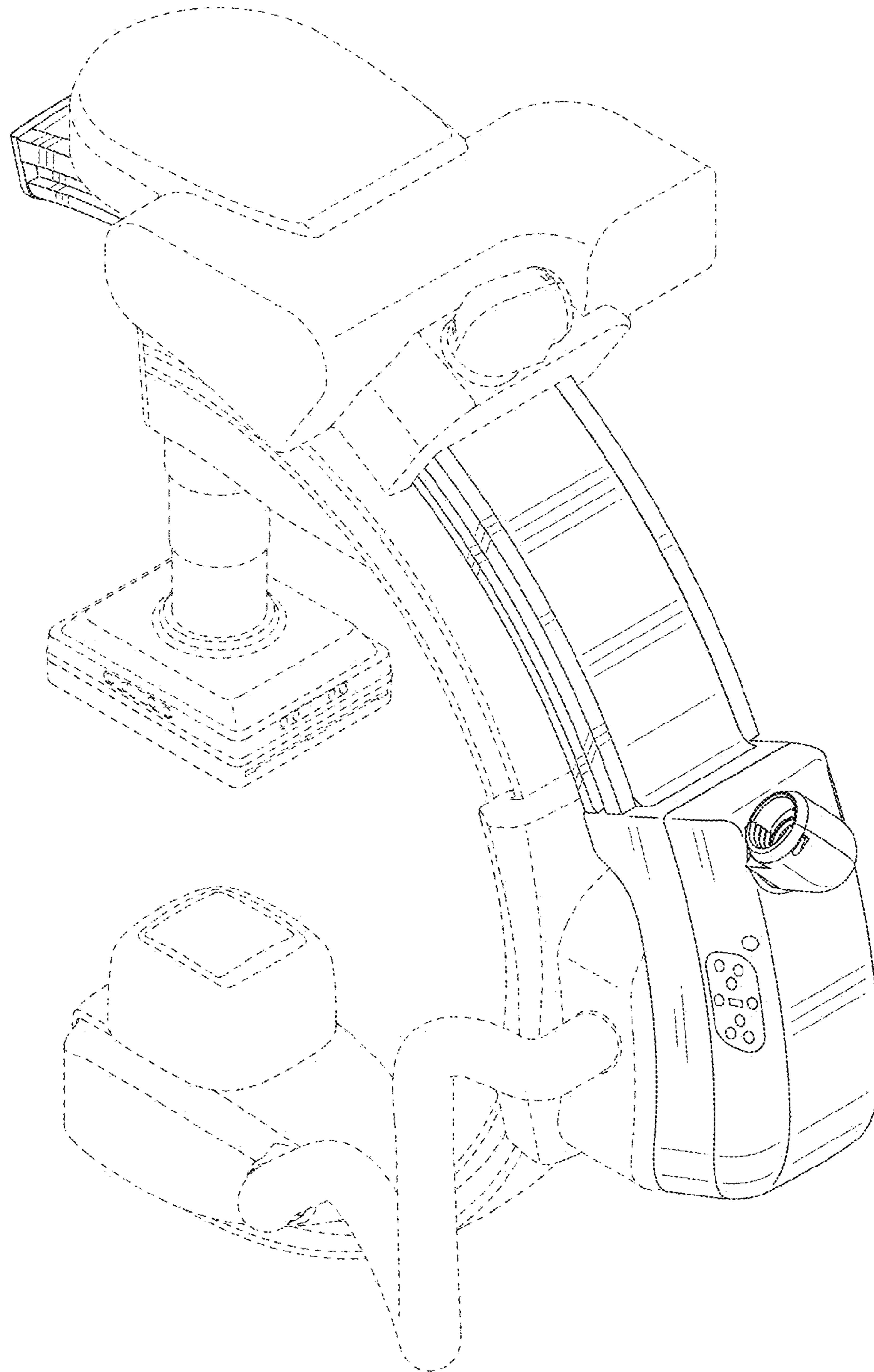


Fig. 2

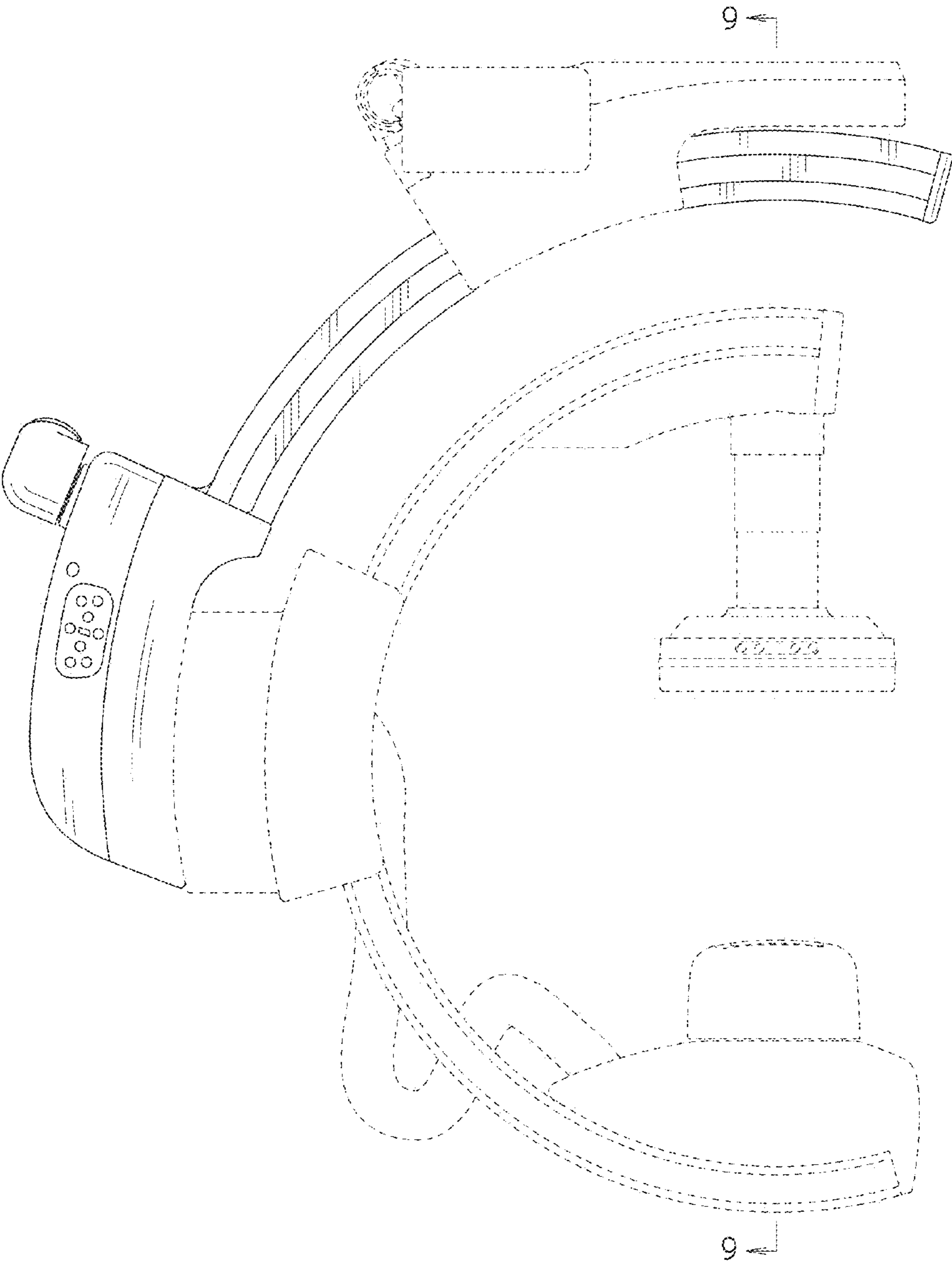


Fig. 3

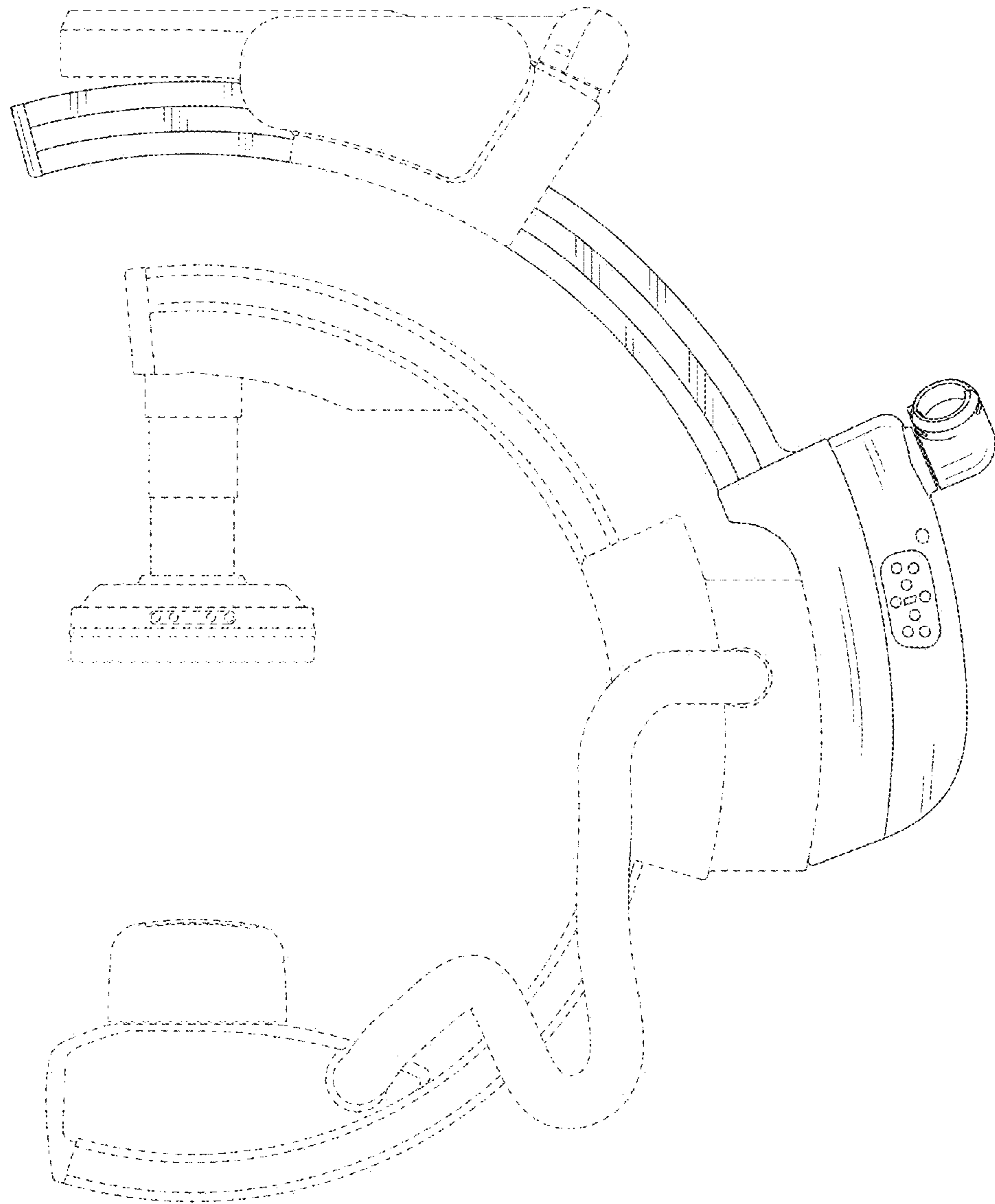


Fig. 4

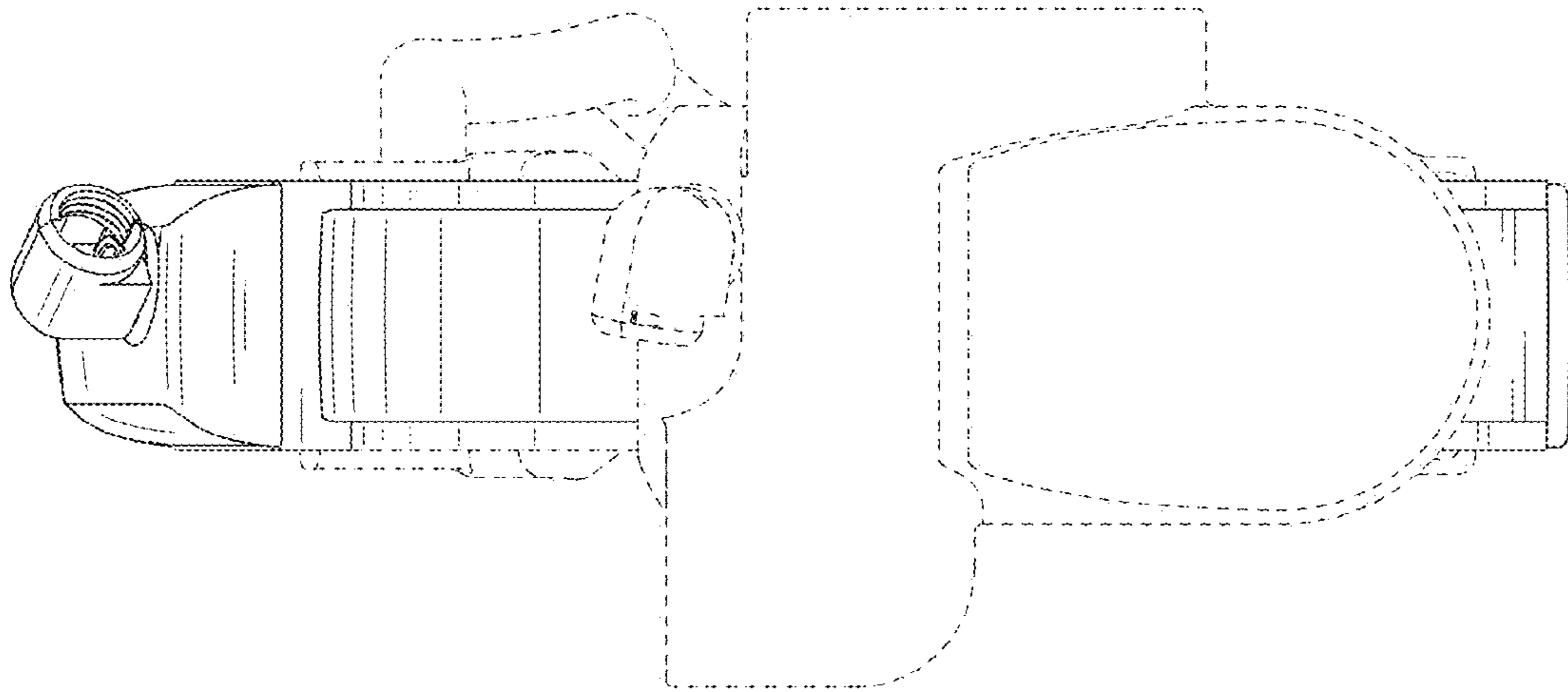


Fig. 5

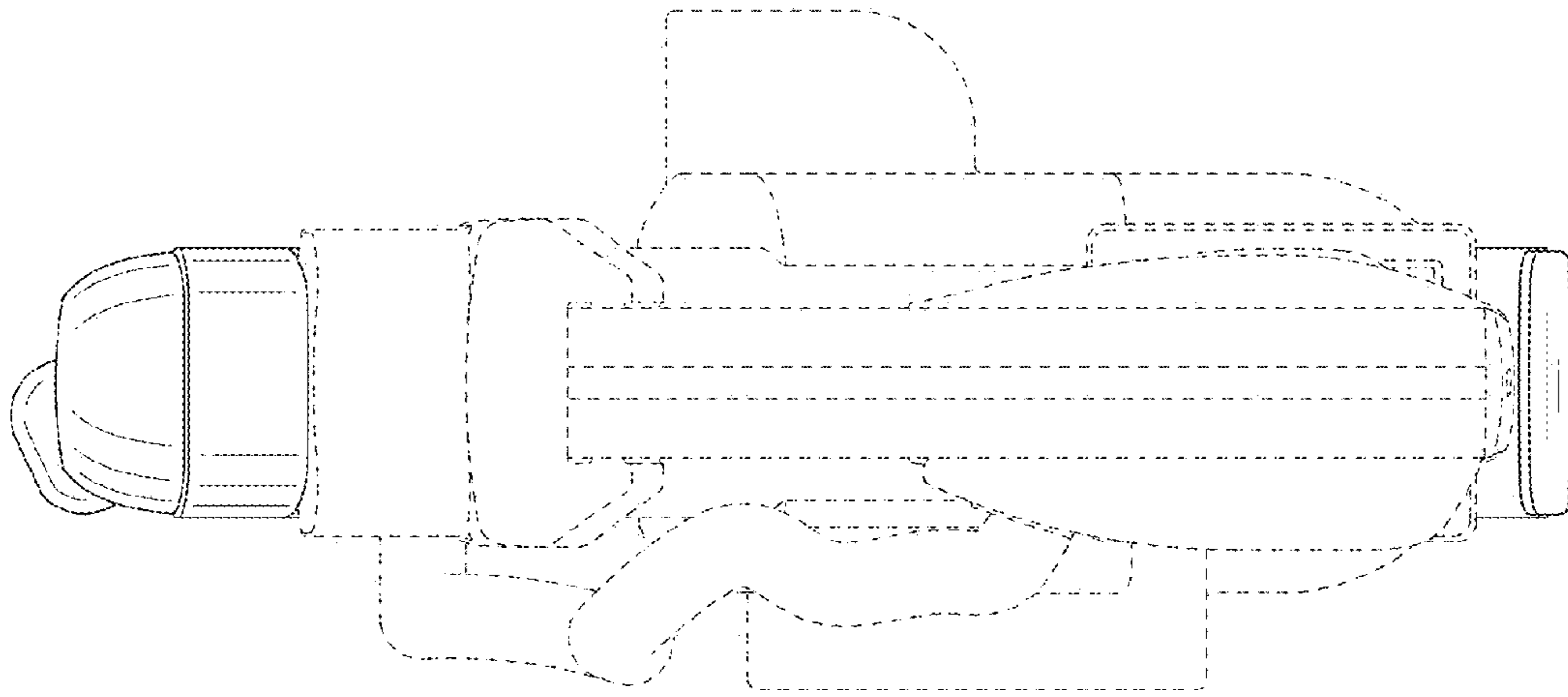


Fig. 6

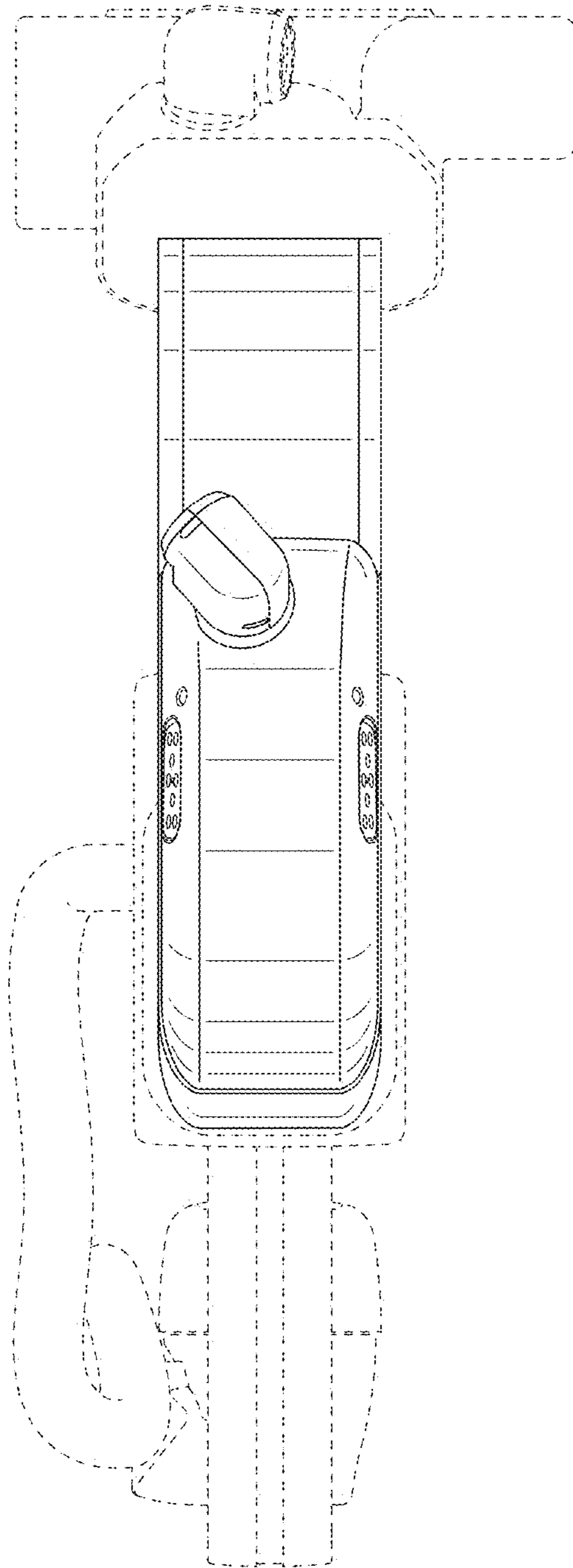


Fig. 7

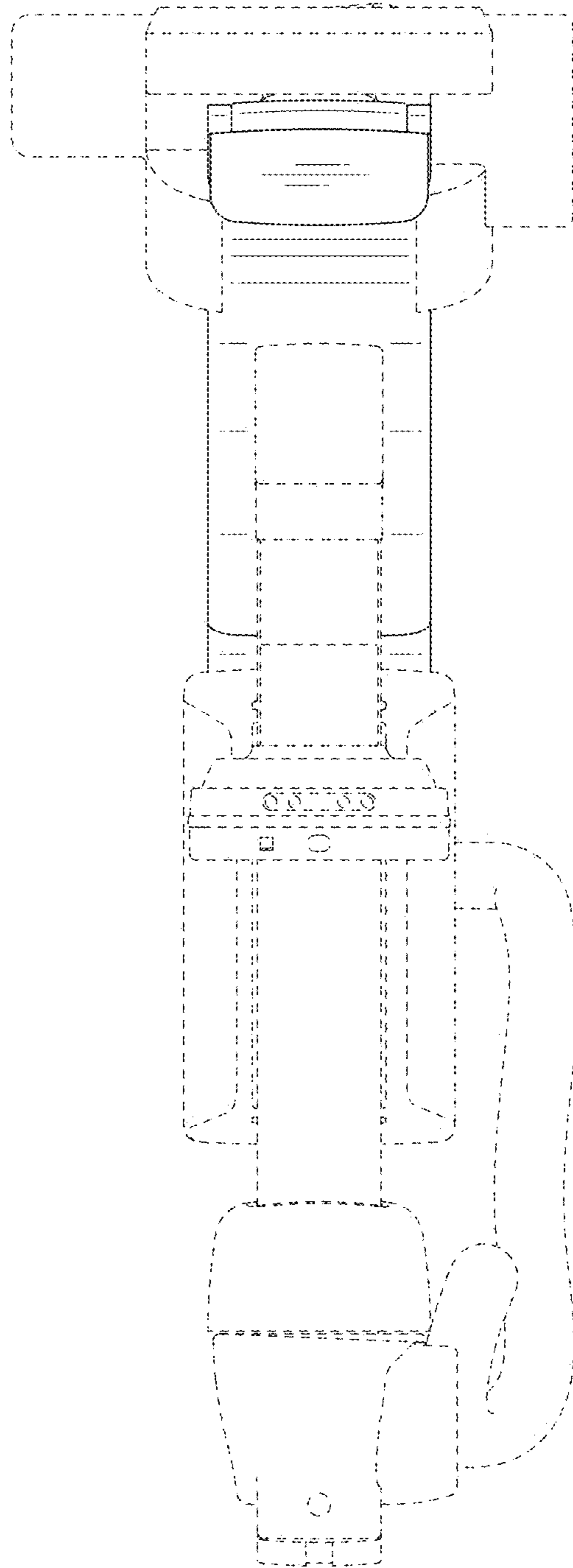


Fig. 8

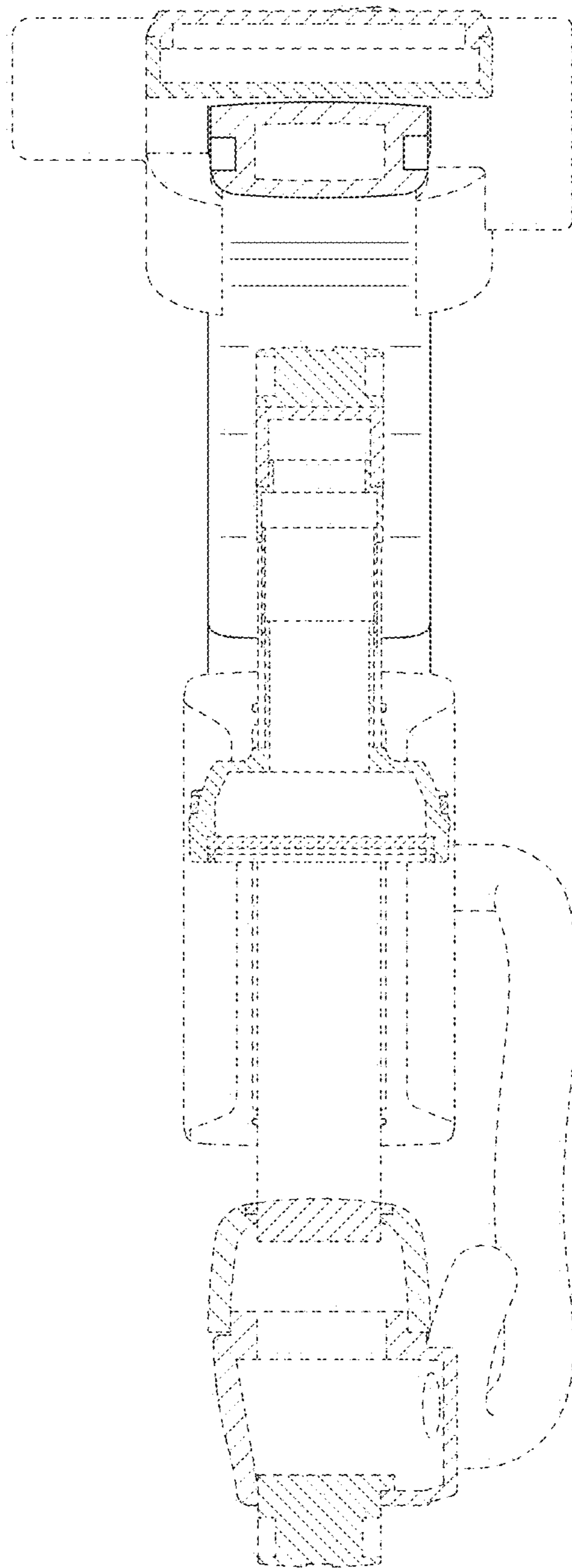


Fig. 9

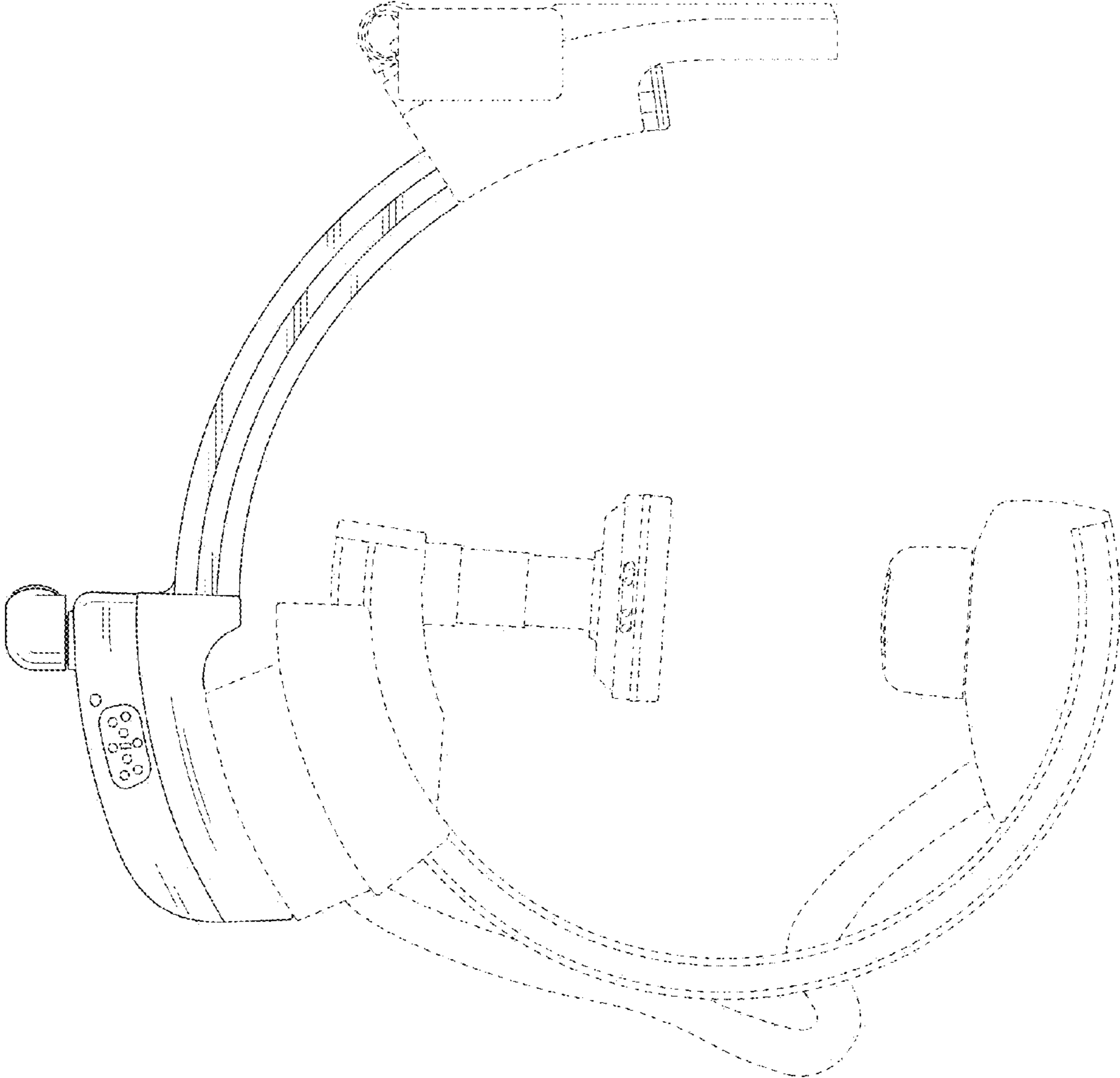


Fig. 10