



US00D748797S

(12) **United States Design Patent**
Patil et al.

(10) **Patent No.:** **US D748,797 S**
(45) **Date of Patent:** **** Feb. 2, 2016**

(54) **MRI HEAD NECK COIL WITH OPEN FACE ADAPTER**

(71) Applicant: **General Electric Company,**
Schenectady, NY (US)

(72) Inventors: **Mahendra Madhukar Patil,** Bangalore (IN); **Tony T. Thomas,** Bangalore (IN); **Balaji Aswatha Narayana,** Bangalore (IN); **Kiran Padmakumari Devapalan,** Bangalore (IN); **Pradeep Shetty,** Bangalore (IN)

(73) Assignee: **General Electric Company,**
Schenectady, NY (US)

(**) Term: **14 Years**

(21) Appl. No.: **29/509,768**

(22) Filed: **Nov. 20, 2014**

(51) **LOC (10) Cl.** **24-01**

(52) **U.S. Cl.**
USPC **D24/158**

(58) **Field of Classification Search**
USPC D24/158-161, 185, 186; 378/4, 21-27, 378/38, 40, 102, 196-198; 600/410, 422
CPC A61B 5/05; A61B 5/055
See application file for complete search history.

(56) **References Cited**

U.S. PATENT DOCUMENTS

5,517,120	A *	5/1996	Misic et al.	600/422
5,664,568	A *	9/1997	Srinivasan et al.	600/422
6,356,081	B1 *	3/2002	Misic	600/422
7,333,849	B1 *	2/2008	Su et al.	600/422
D563,556	S *	3/2008	Baba	D24/158
7,526,330	B1 *	4/2009	Randell et al.	600/421
D591,862	S *	5/2009	Taniguchi et al.	D24/158

D592,751	S *	5/2009	Ninomiya et al.	D24/158
D686,324	S *	7/2013	Davis et al.	D24/158
2011/0040174	A1 *	2/2011	Driemel	600/422
2013/0023756	A1 *	1/2013	Driemel et al.	600/422
2013/0192875	A1 *	8/2013	Driemel	174/135
2014/0028317	A1 *	1/2014	Friman	324/321

* cited by examiner

Primary Examiner — Anhdao Doan

(74) *Attorney, Agent, or Firm* — Allerman Hall McCoy Russell & Tuttle LLP

(57) **CLAIM**

The ornamental design for an MRI head neck coil with open face adapter, as shown and described.

DESCRIPTION

FIG. 1 is a top perspective view of a design for an MRI head neck coil with open face adapter according to the present invention.

FIG. 2 is a back perspective view of the MRI head neck coil with open face adapter of FIG. 1.

FIG. 3 is a top view of the MRI head neck coil with open face adapter of FIG. 1.

FIG. 4 is bottom view of the MRI head neck coil with open face adapter of FIG. 1.

FIG. 5 is a front view of the MRI head neck coil with open face adapter of FIG. 1.

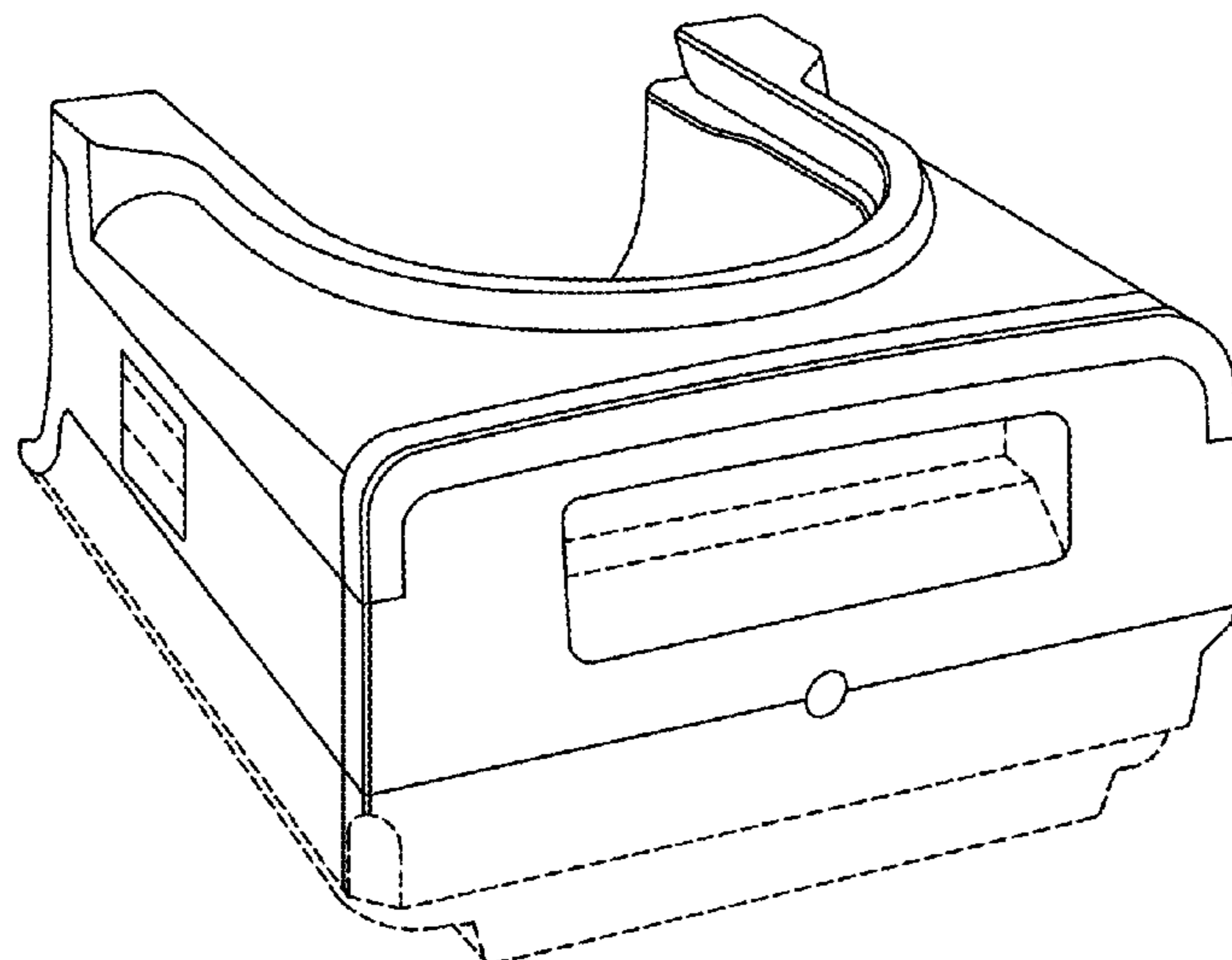
FIG. 6 is a back view of the MRI head neck coil with open face adapter of FIG. 1.

FIG. 7 is a right side view of the MRI head neck coil with open face adapter of FIG. 1; and,

FIG. 8 is a left side view of the MRI head neck coil with open face adapter of FIG. 1.

The broken lines in the drawing views are included for the purpose of illustrating portions of the MRI head neck coil with open face adapter that form no part of the claimed design.

1 Claim, 4 Drawing Sheets



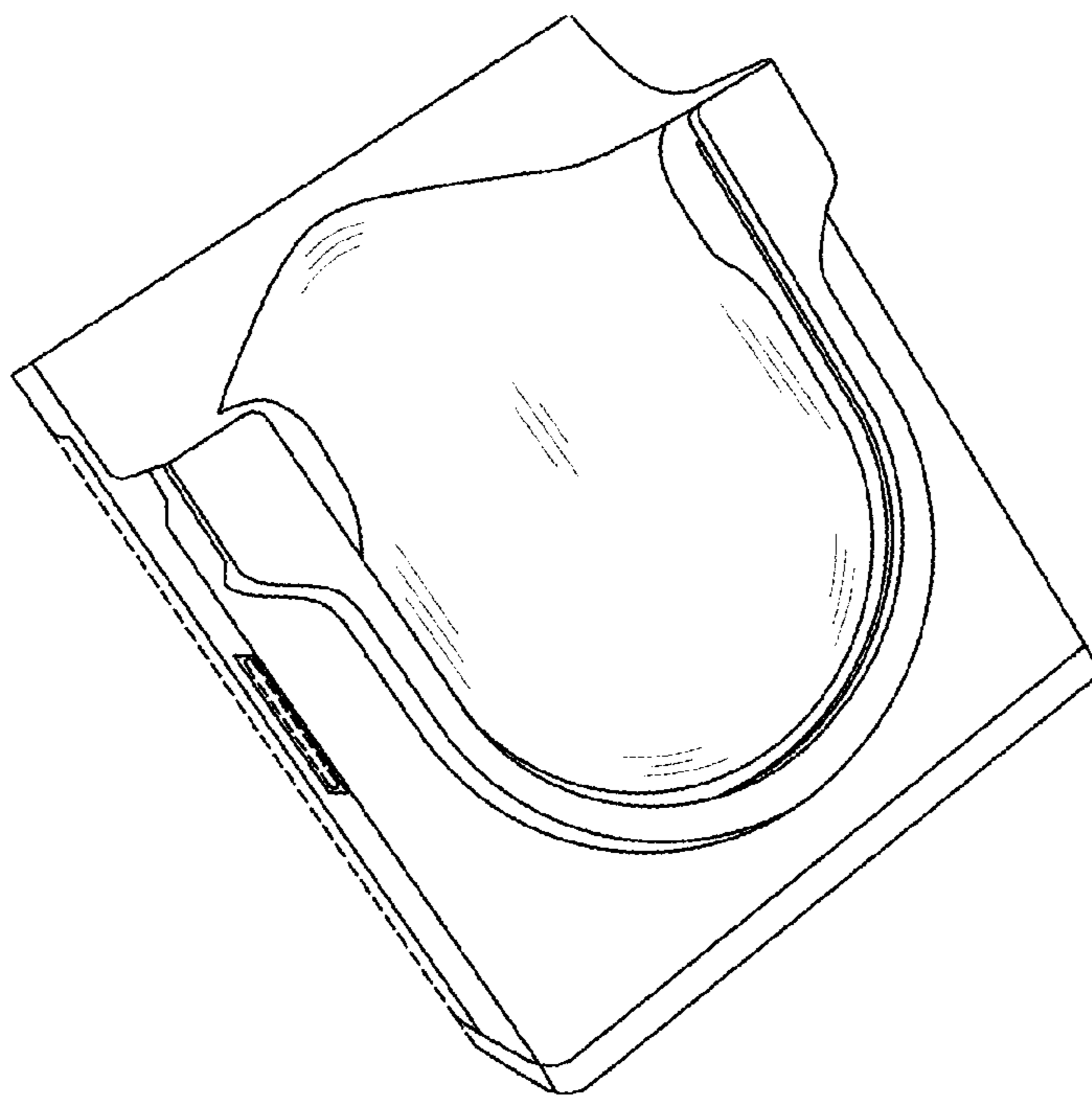


FIG. 1

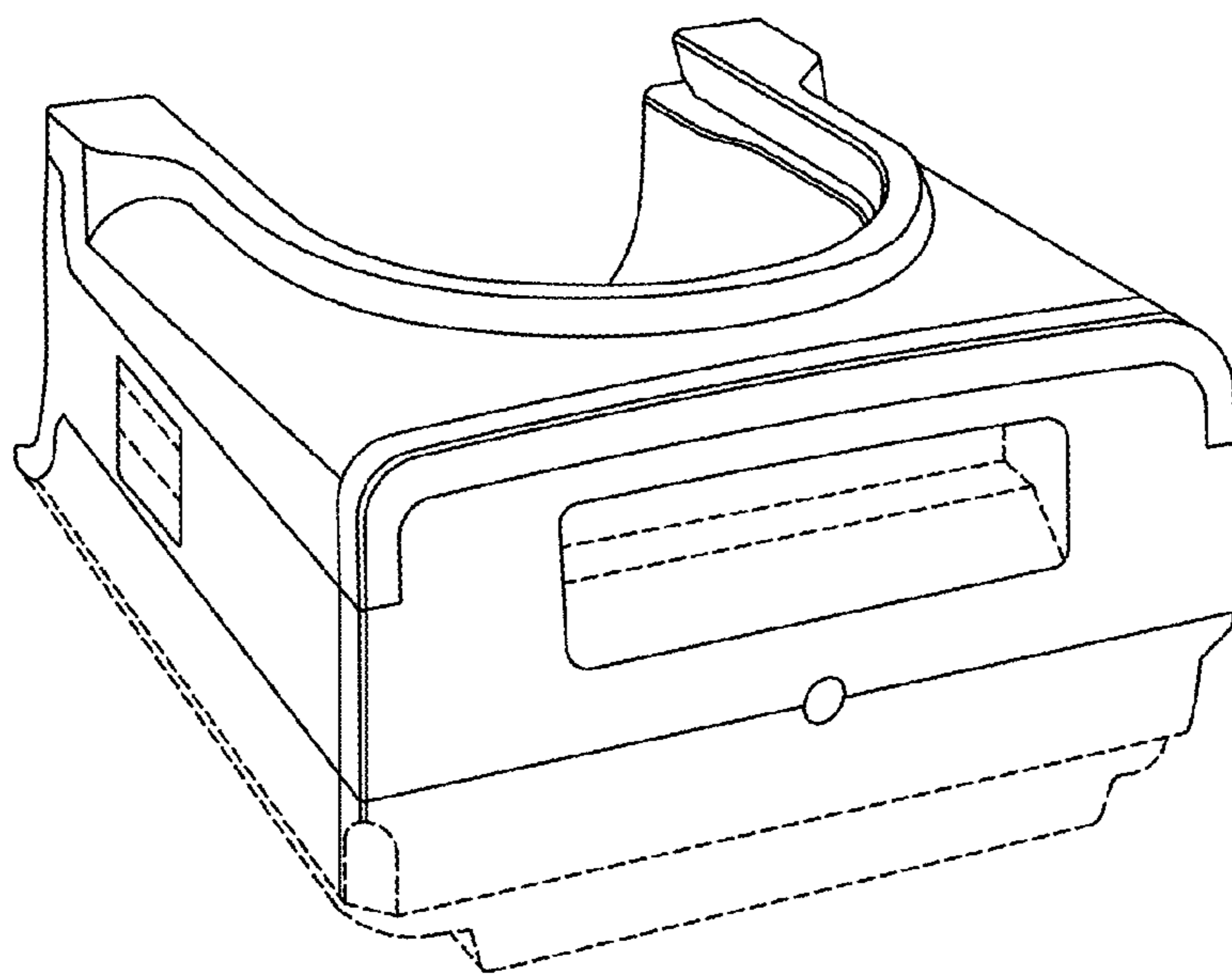


FIG. 2

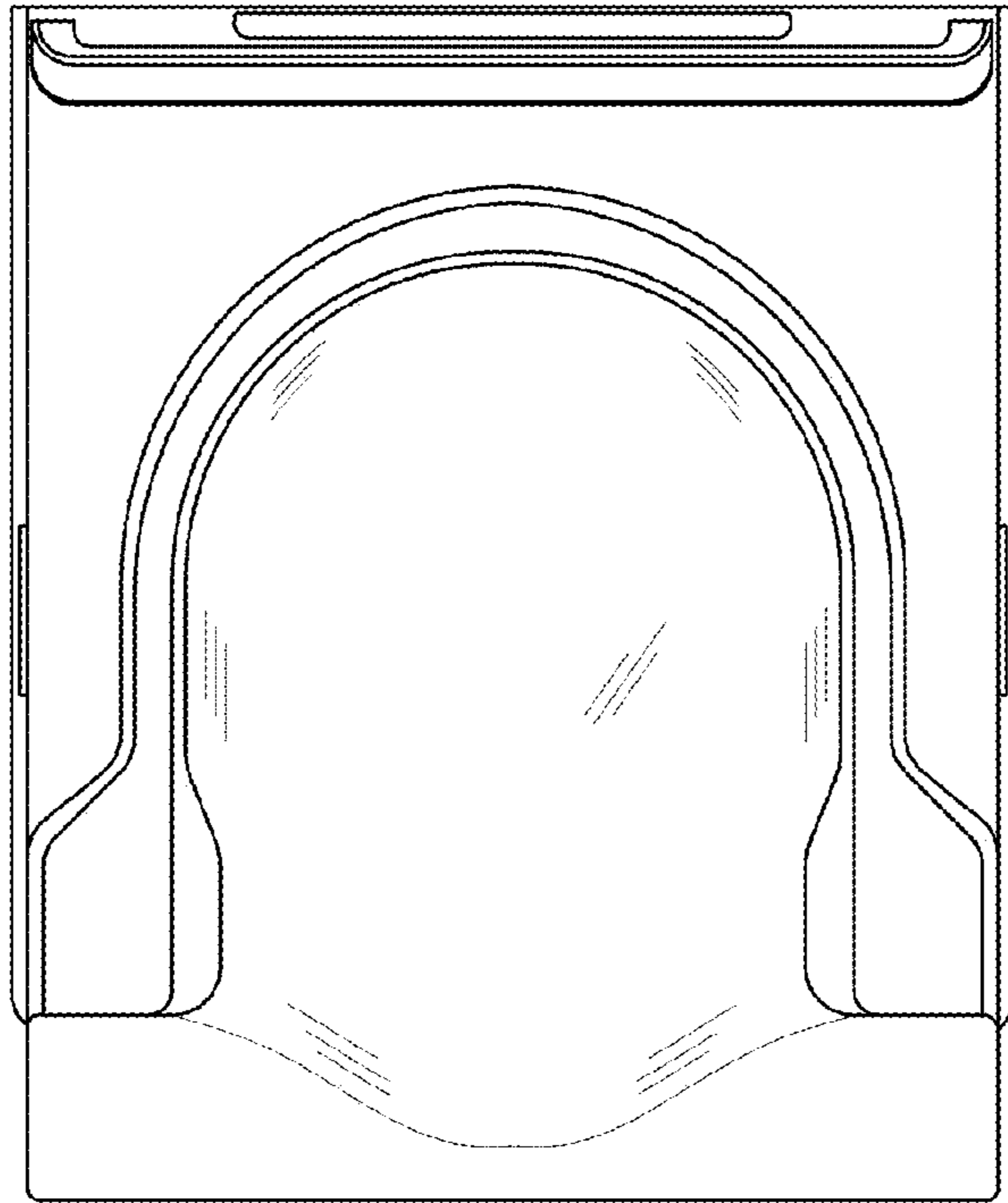


FIG. 3

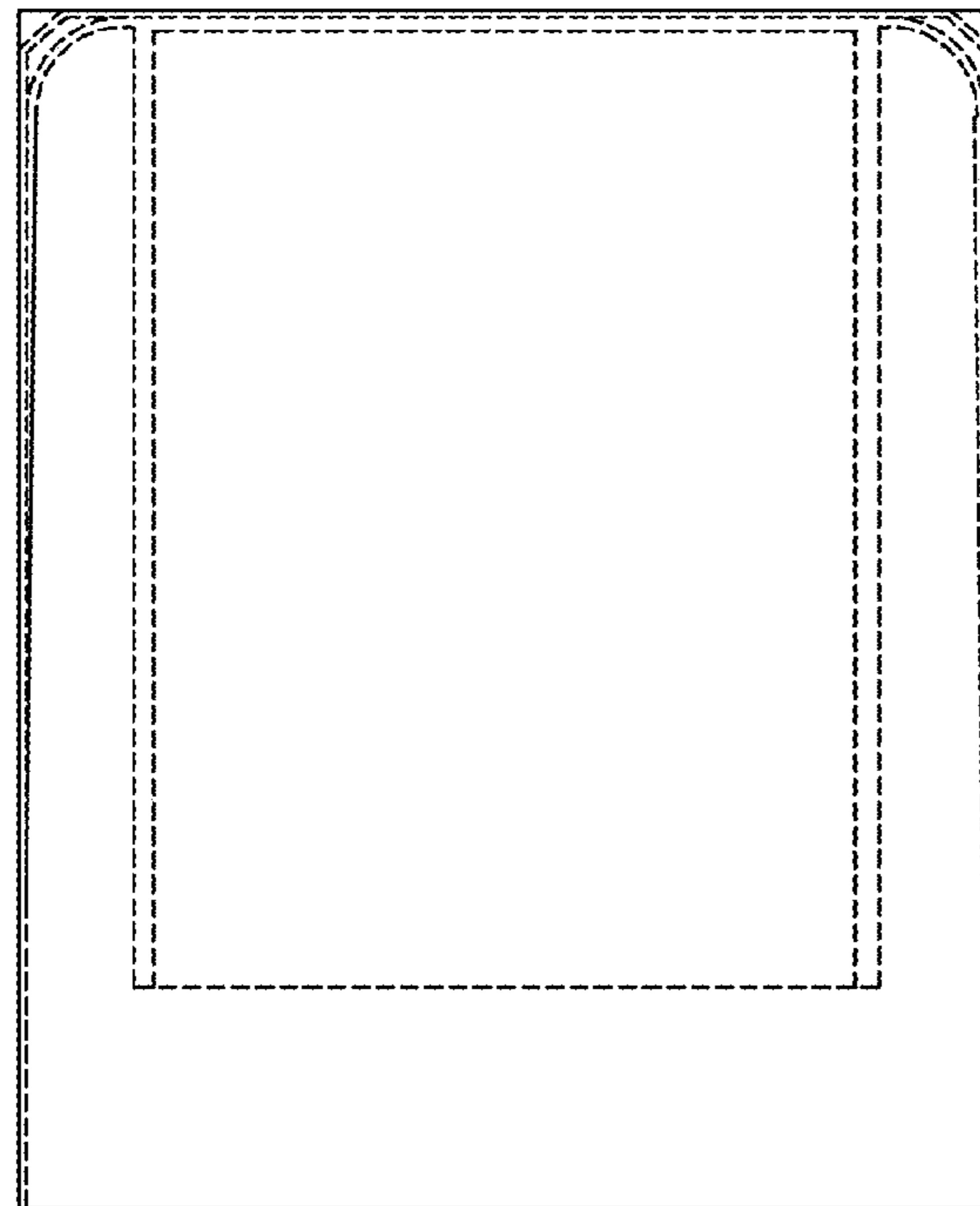


FIG. 4

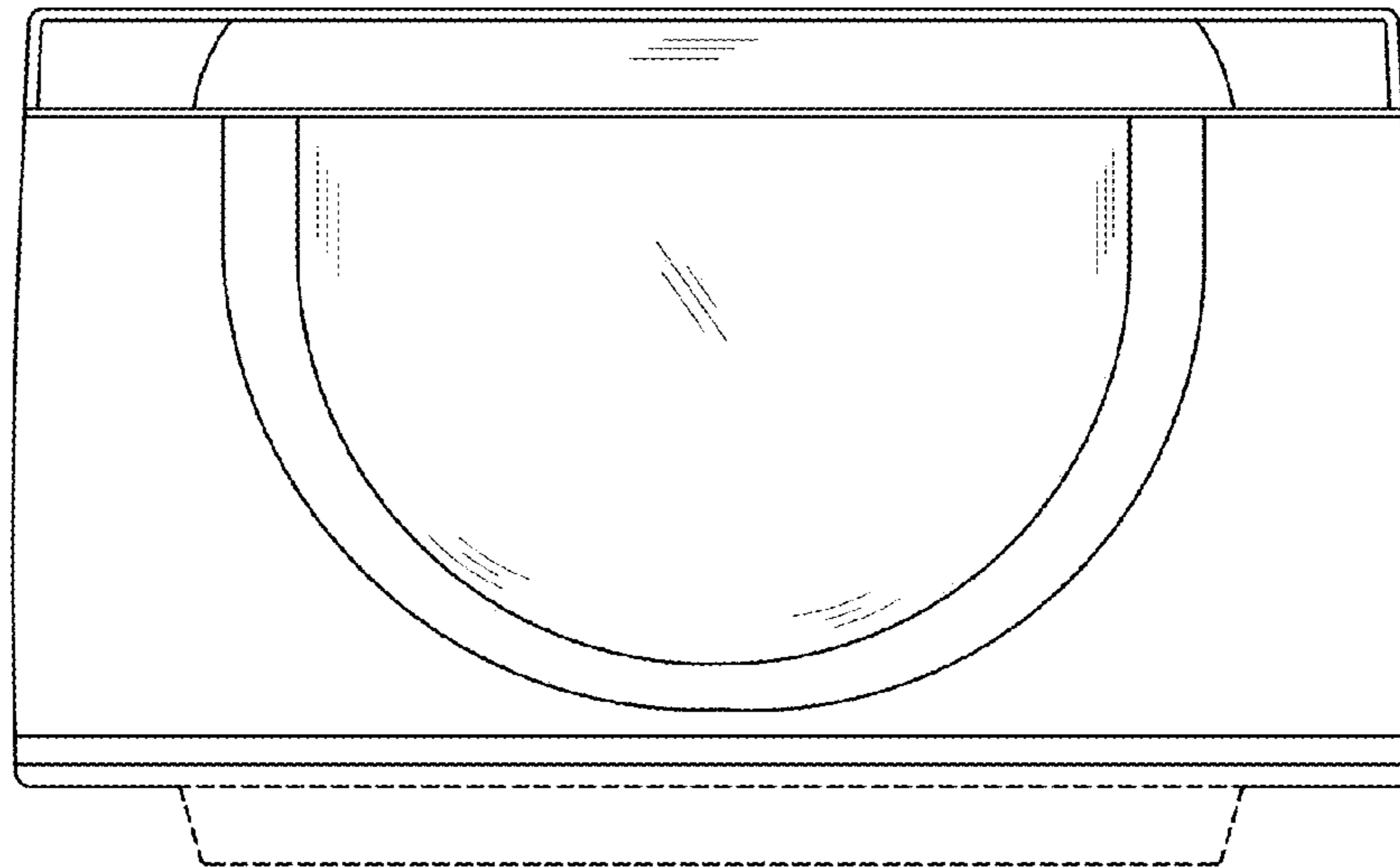


FIG. 5

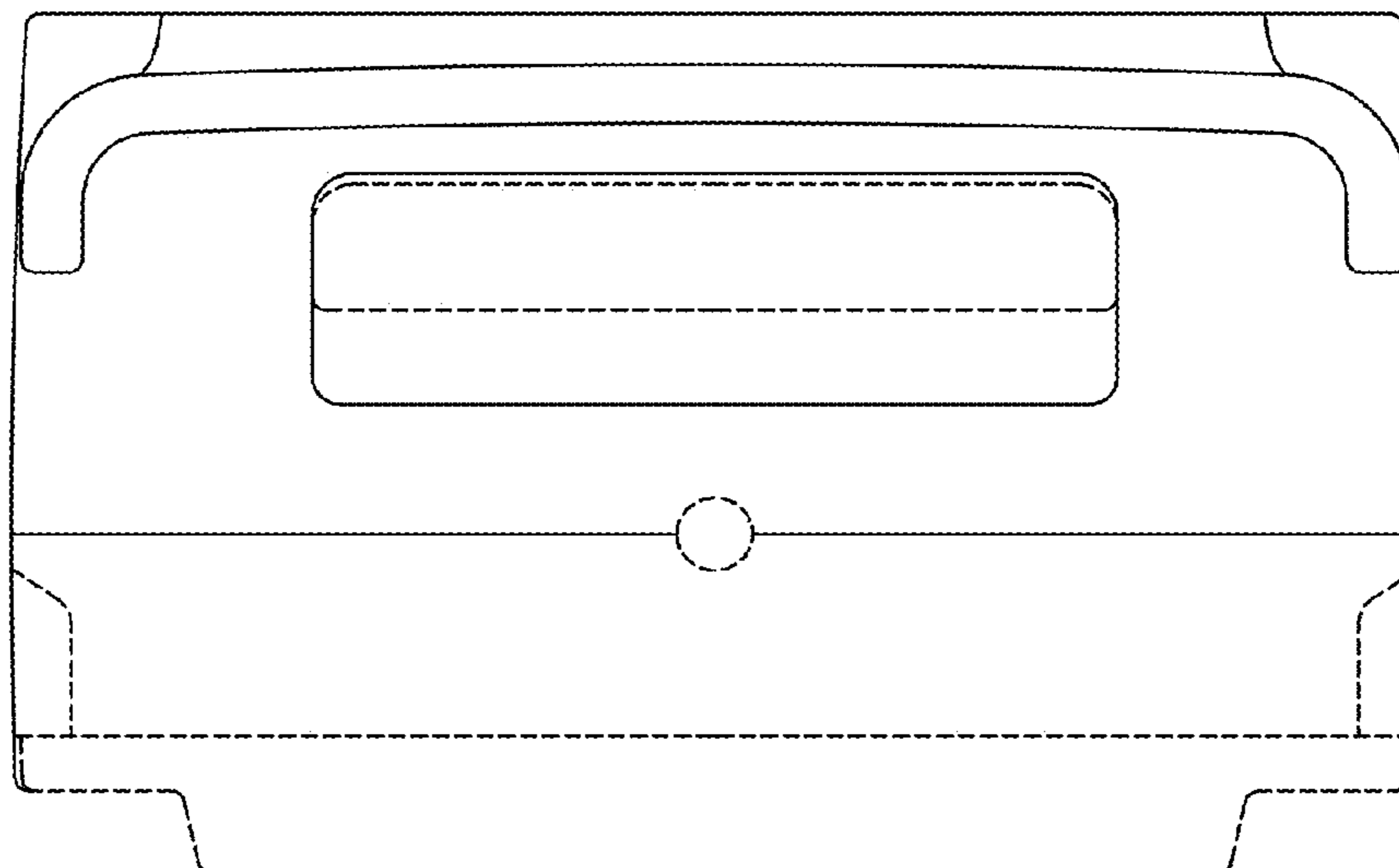


FIG. 6

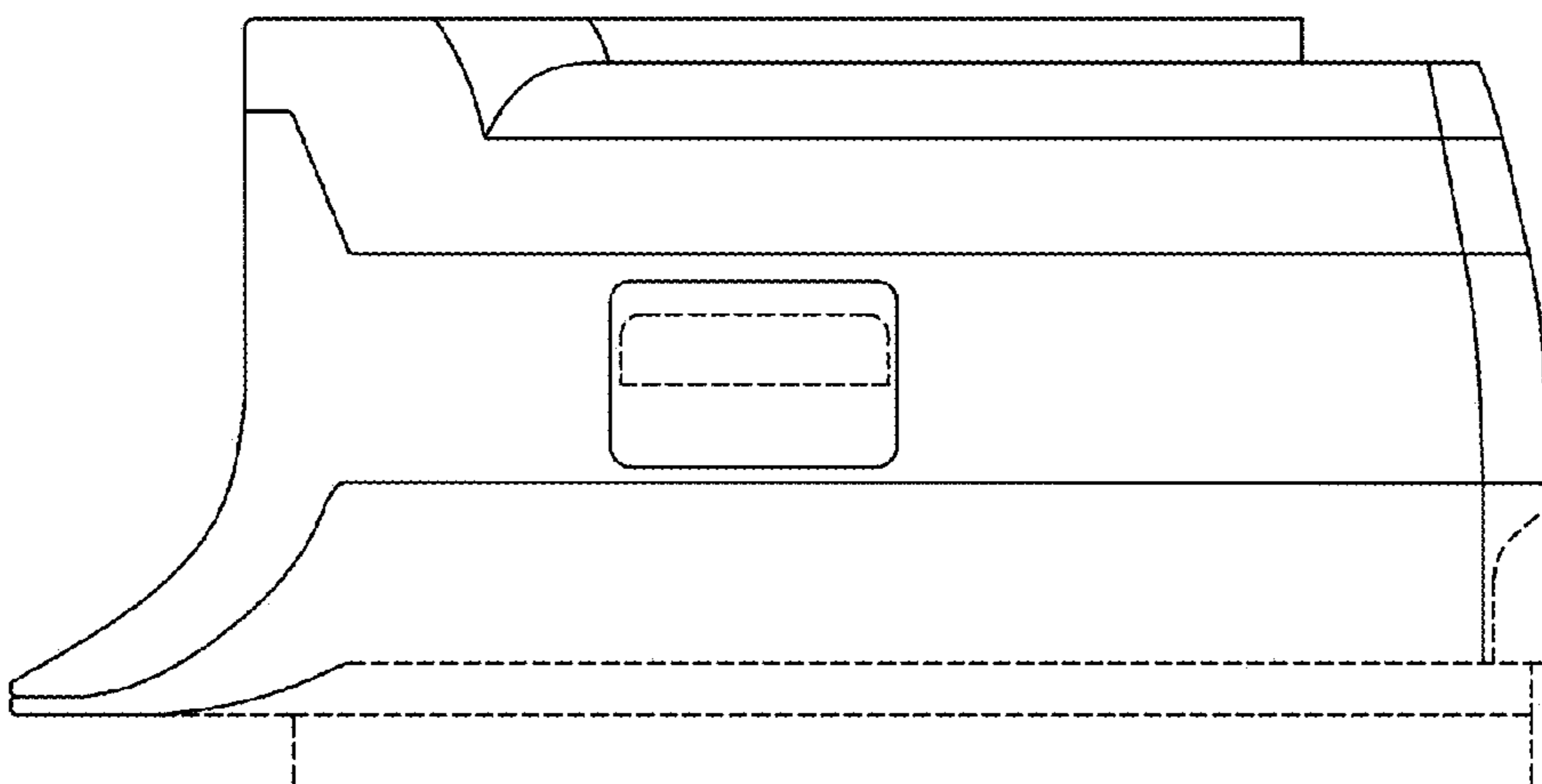


FIG. 7

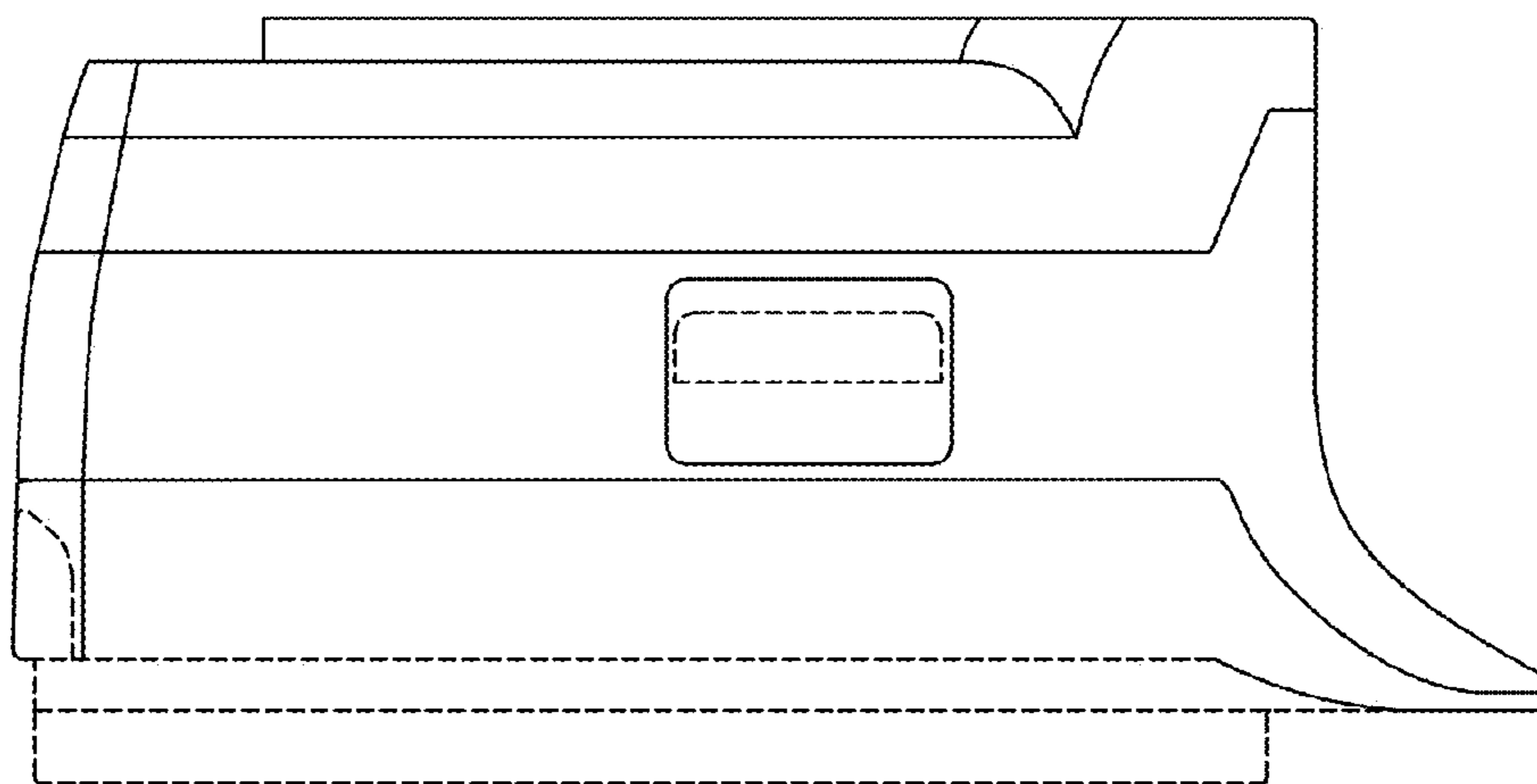


FIG. 8