



US00D748796S

(12) **United States Design Patent**
Patil et al.

(10) **Patent No.:** **US D748,796 S**

(45) **Date of Patent:** **** Feb. 2, 2016**

(54) **MRI HEAD NECK COIL**

(71) Applicant: **General Electric Company,**
Schenectady, NY (US)

(72) Inventors: **Mahendra Madhukar Patil,** Bangalore
(IN); **Tony T. Thomas,** Bangalore (IN);
Balaji Aswatha Narayana, Bangalore
(IN); **Kiran Padmakumari Devapalan,**
Bangalore (IN); **Pradeep Shetty,**
Bangalore (IN)

(73) Assignee: **General Electric Company,**
Schenectady, NY (US)

(**) Term: **14 Years**

(21) Appl. No.: **29/509,760**

(22) Filed: **Nov. 20, 2014**

(51) **LOC (10) Cl.** **24-01**

(52) **U.S. Cl.**
USPC **D24/158**

(58) **Field of Classification Search**
USPC D24/158-161, 185, 186; 378/4, 21-27,
378/38, 40, 102, 196-198; 600/410, 422
CPC A61B 5/05; A61B 5/055
See application file for complete search history.

(56) **References Cited**

U.S. PATENT DOCUMENTS

| | | | | |
|-----------|------|--------|-------------------|---------|
| 5,517,120 | A * | 5/1996 | Misic | 600/422 |
| 5,664,568 | A * | 9/1997 | Srinivasan et al. | 600/422 |
| 6,356,081 | B1 * | 3/2002 | Misic | 600/422 |
| 7,333,849 | B1 * | 2/2008 | Su et al. | 600/422 |

| | | | | |
|--------------|------|--------|------------------|---------|
| D563,556 | S * | 3/2008 | Baba | D24/158 |
| 7,526,330 | B1 * | 4/2009 | Randell | 600/421 |
| D591,862 | S * | 5/2009 | Taniguchi et al. | D24/158 |
| D592,751 | S * | 5/2009 | Ninomiya et al. | D24/158 |
| D686,324 | S * | 7/2013 | Davis et al. | D24/158 |
| 2011/0040174 | A1 * | 2/2011 | Driemel | 600/422 |
| 2013/0023756 | A1 * | 1/2013 | Driemel et al. | 600/422 |
| 2013/0192875 | A1 * | 8/2013 | Driemel | 174/135 |
| 2014/0028317 | A1 * | 1/2014 | Friman | 324/321 |

* cited by examiner

Primary Examiner — Anhdao Doan

(74) *Attorney, Agent, or Firm* — Alleman Hall McCoy
Russell & Tuttle LLP

(57) **CLAIM**

The ornamental design for an MRI head neck coil, as shown
and described.

DESCRIPTION

FIG. 1 is a top perspective view of a design for an MRI head
neck coil according to the present invention.

FIG. 2 is a back perspective view of the MRI head neck coil
of FIG. 1.

FIG. 3 is a top view of the MRI head neck coil of FIG. 1.

FIG. 4 is bottom view of the MRI head neck coil of FIG. 1.

FIG. 5 is a back view of the MRI head neck coil of FIG. 1.

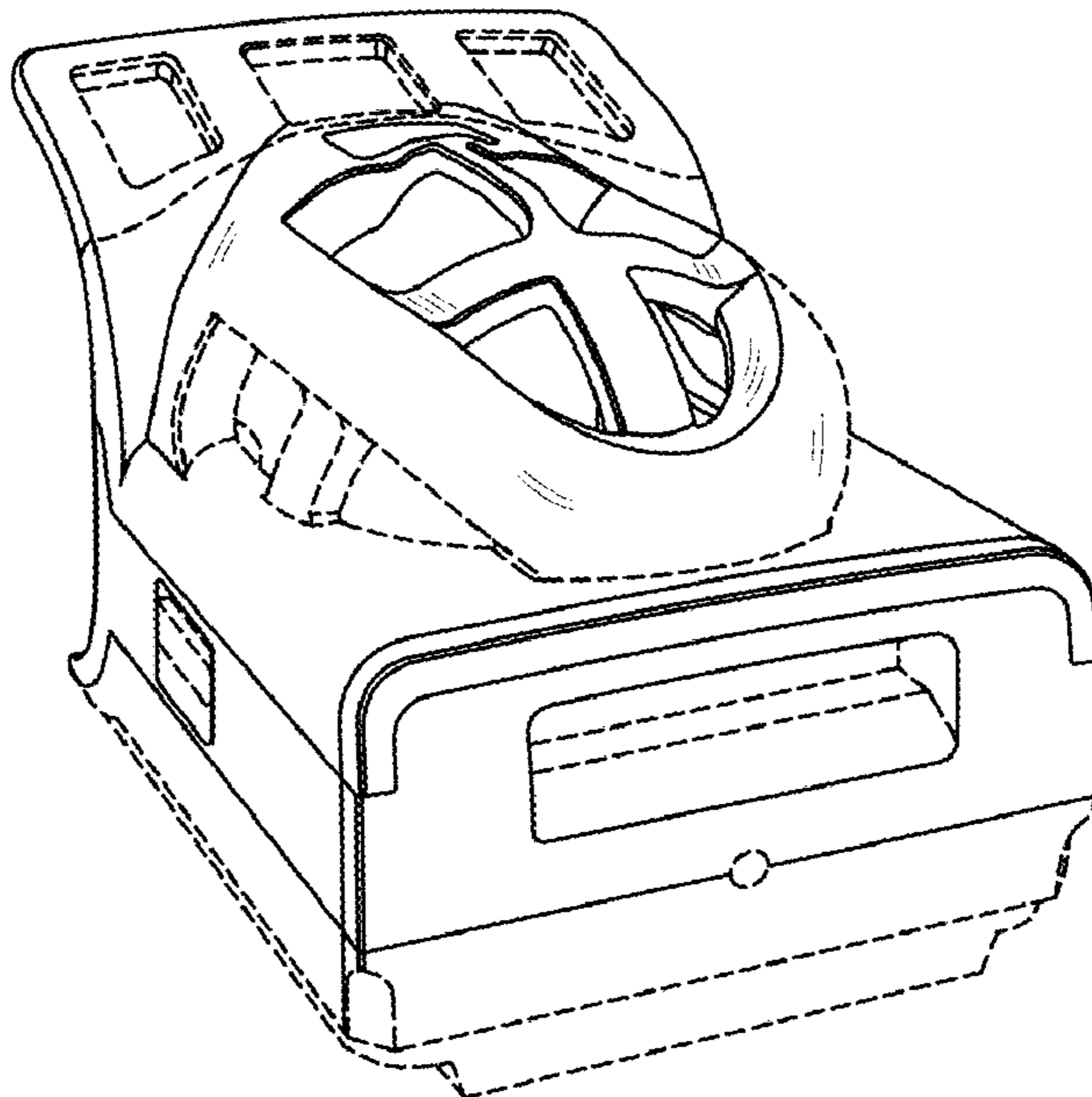
FIG. 6 is a front view of the MRI head neck coil of FIG. 1.

FIG. 7 is a right side view of the MRI head neck coil of FIG.
1; and,

FIG. 8 is a left side view of the MRI head neck coil of FIG. 1.

The broken lines in the drawing views are included for the
purpose of illustrating portions of the MRI head neck coil that
form no part of the claimed design.

1 Claim, 4 Drawing Sheets



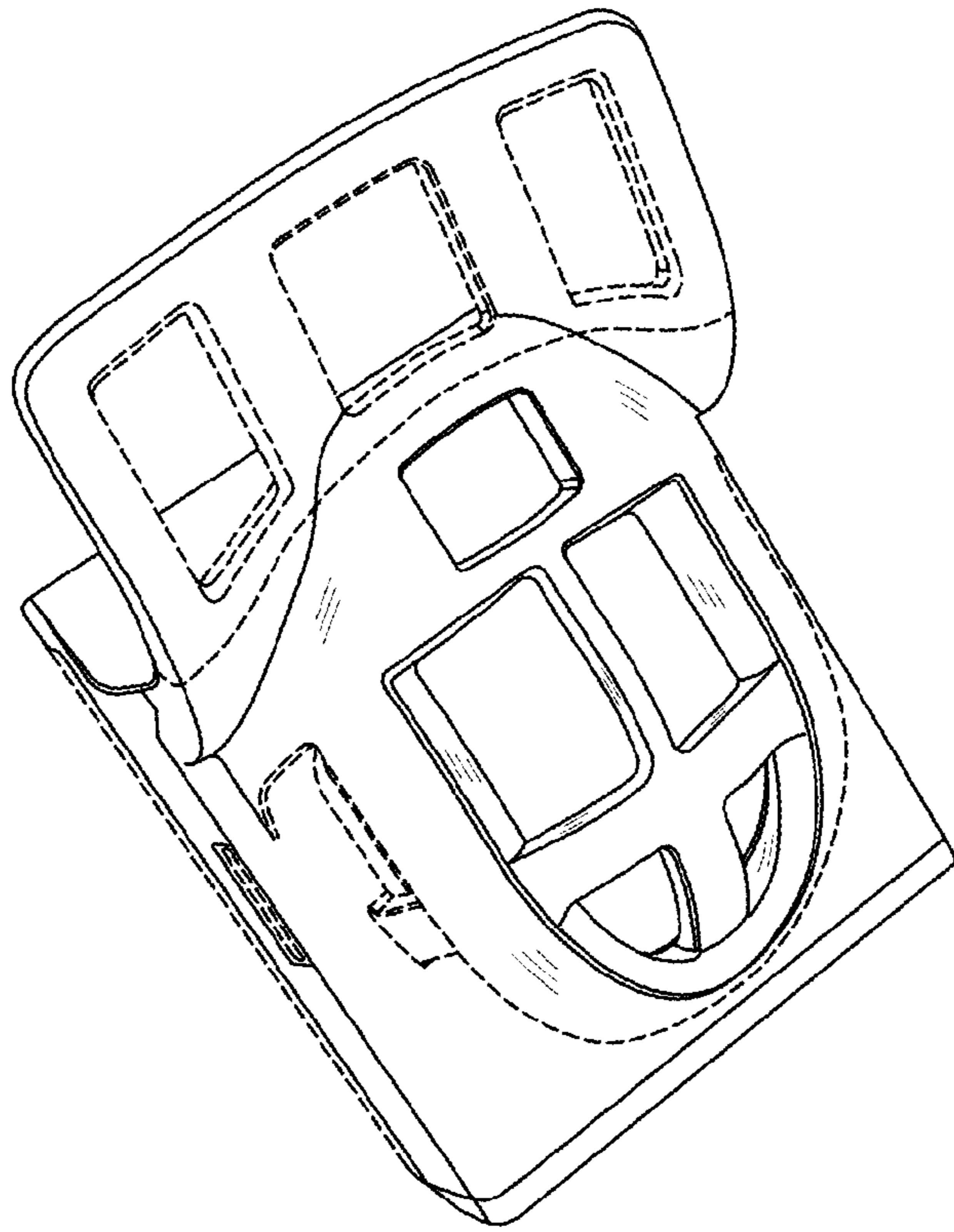


FIG. 1

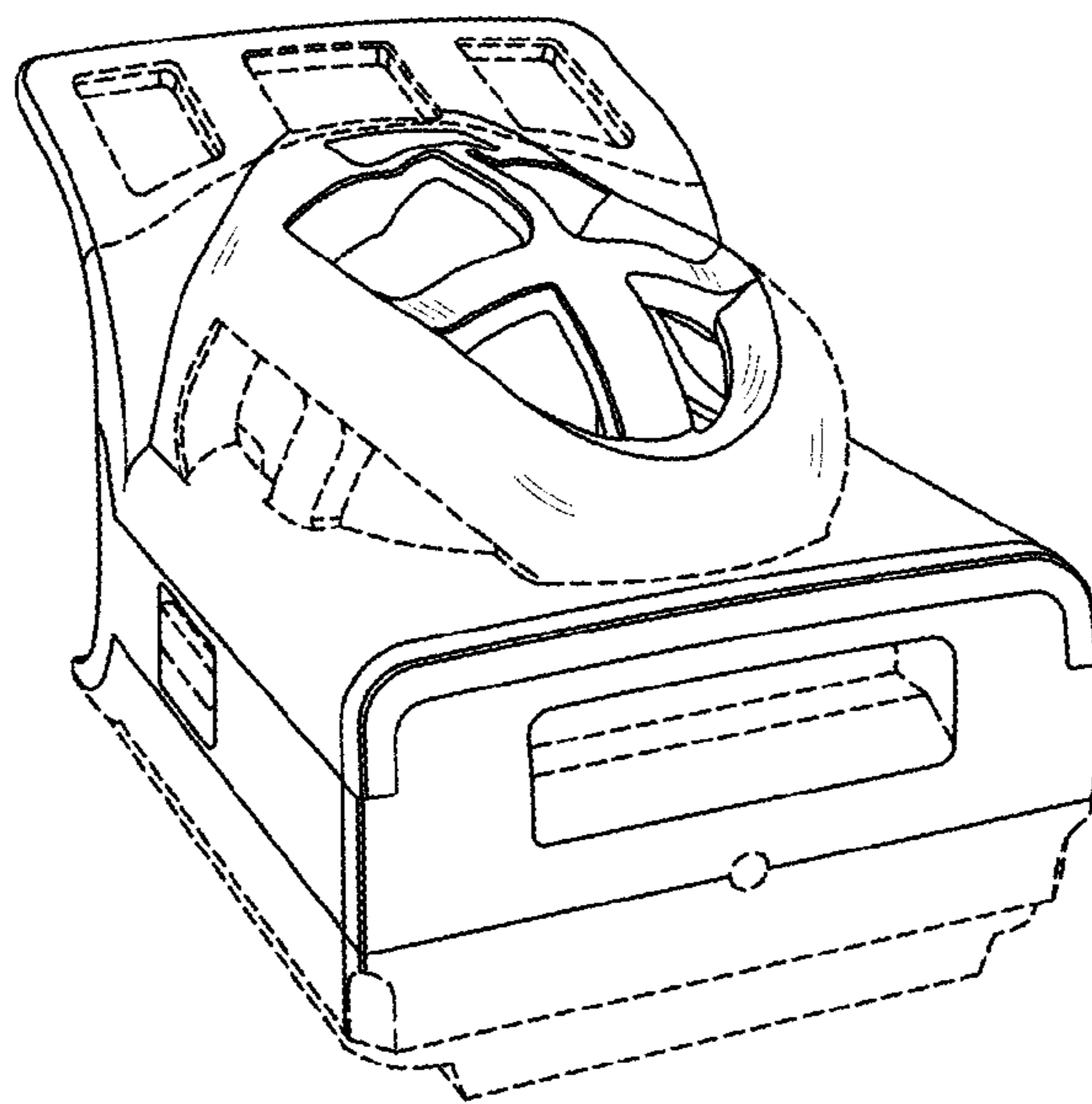


FIG. 2

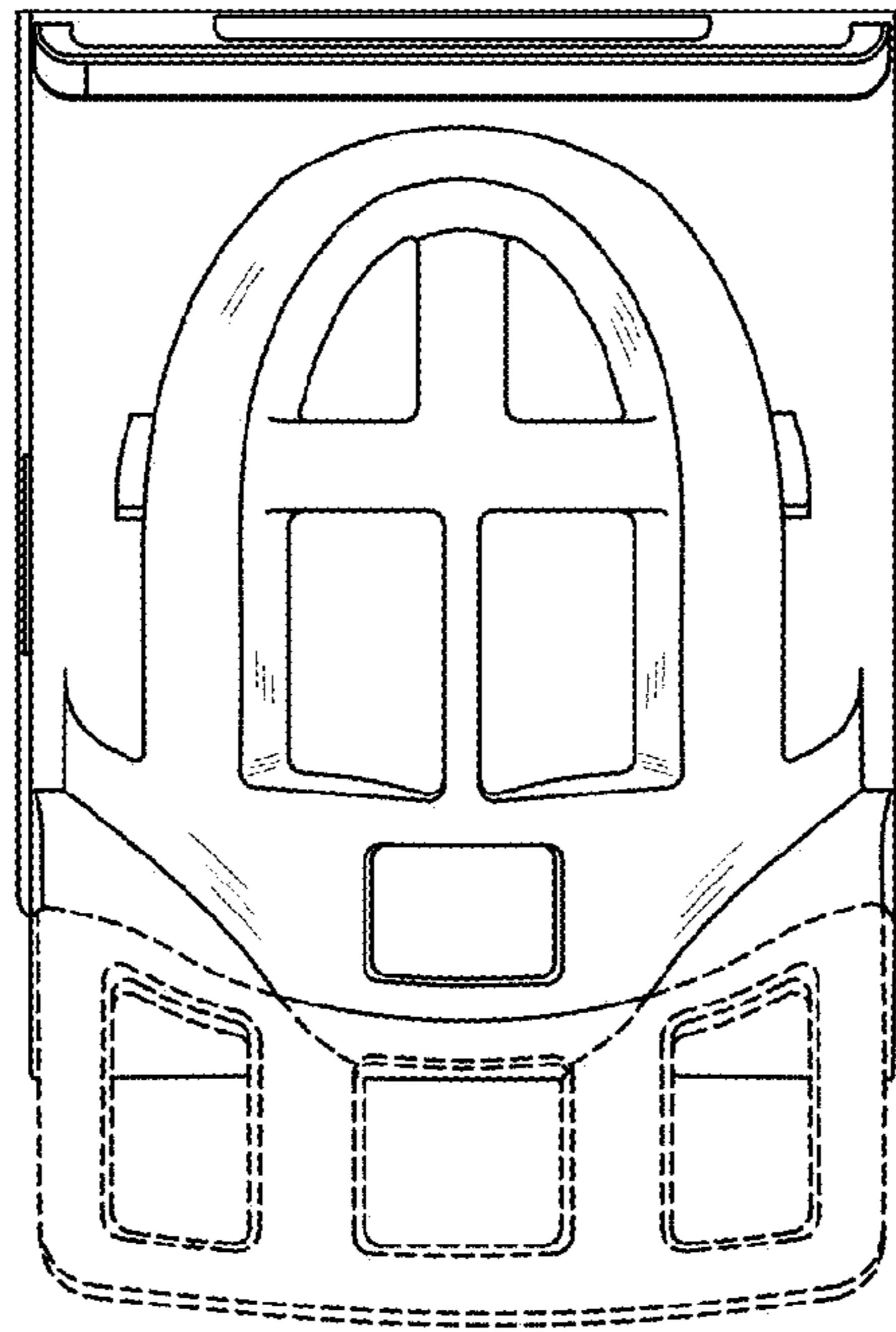


FIG. 3

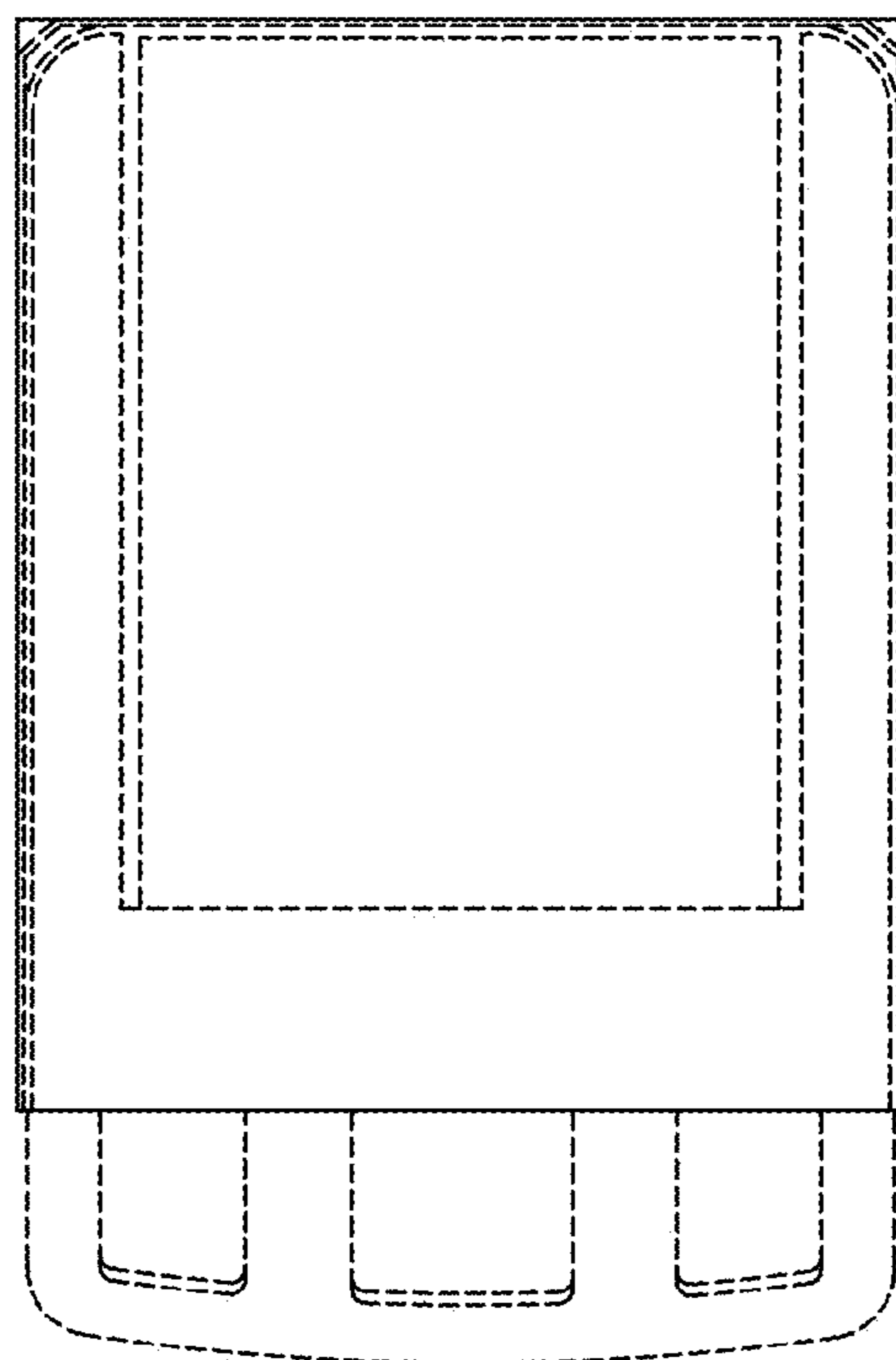


FIG. 4

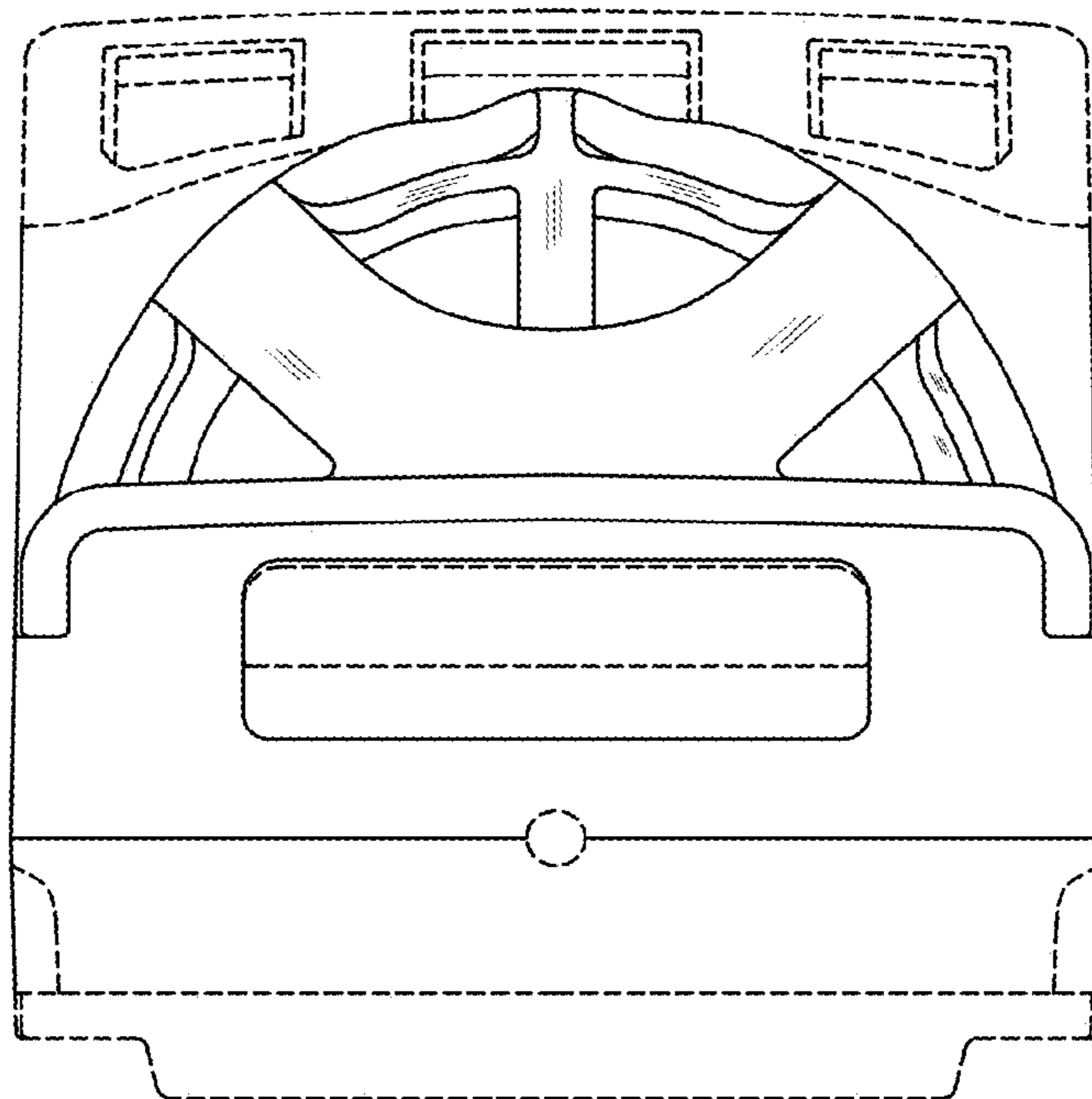


FIG. 5

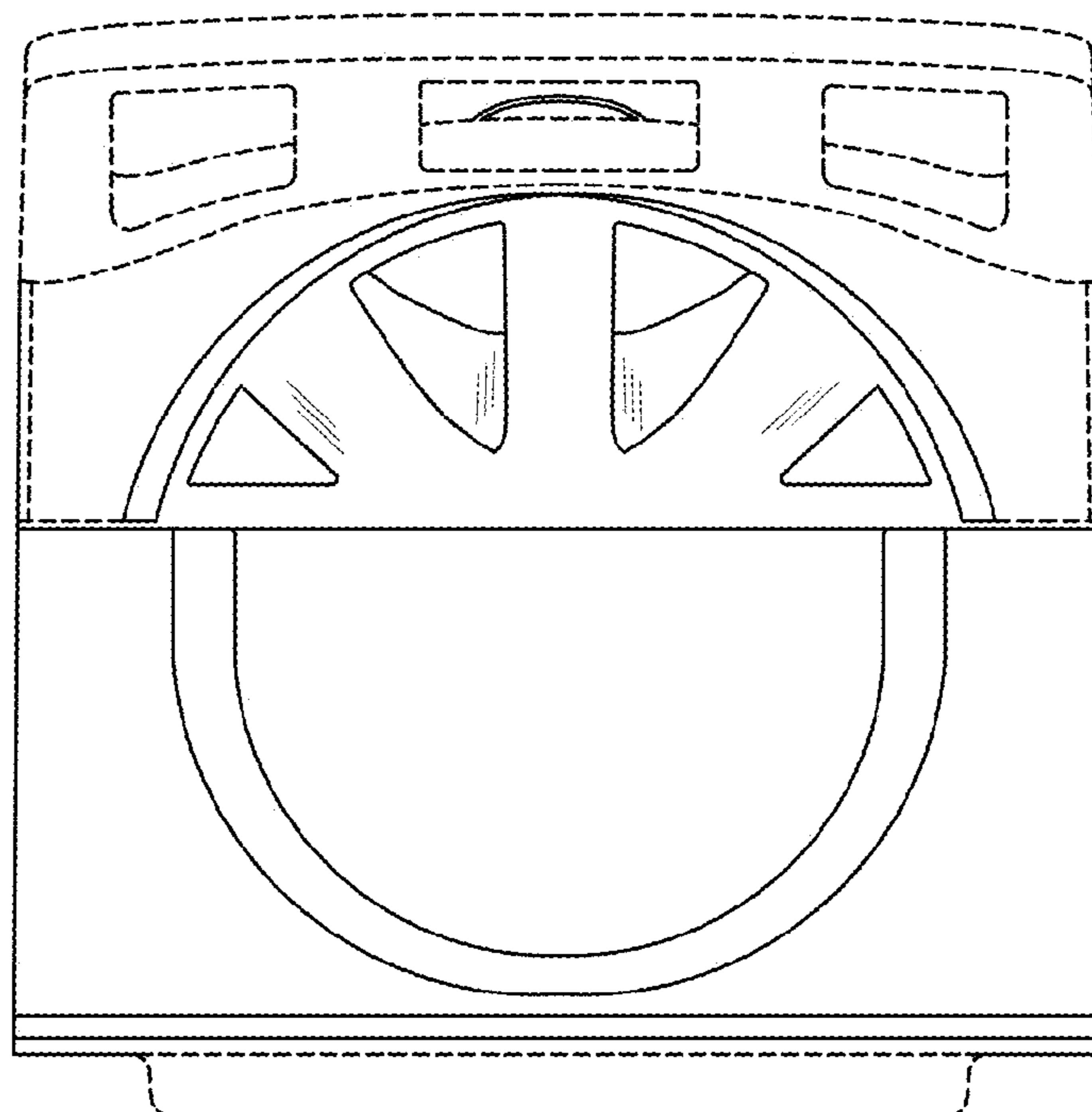


FIG. 6

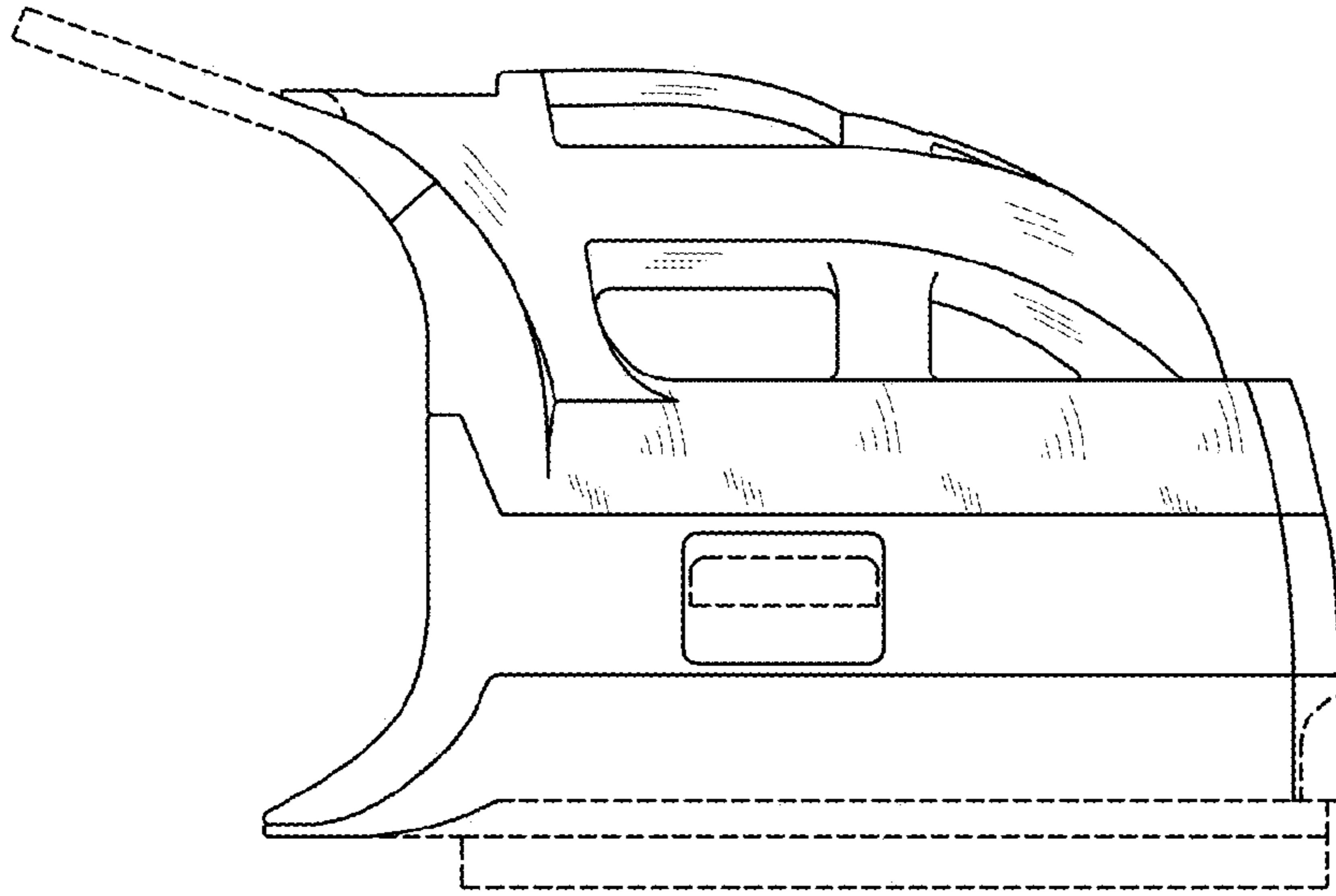


FIG. 7

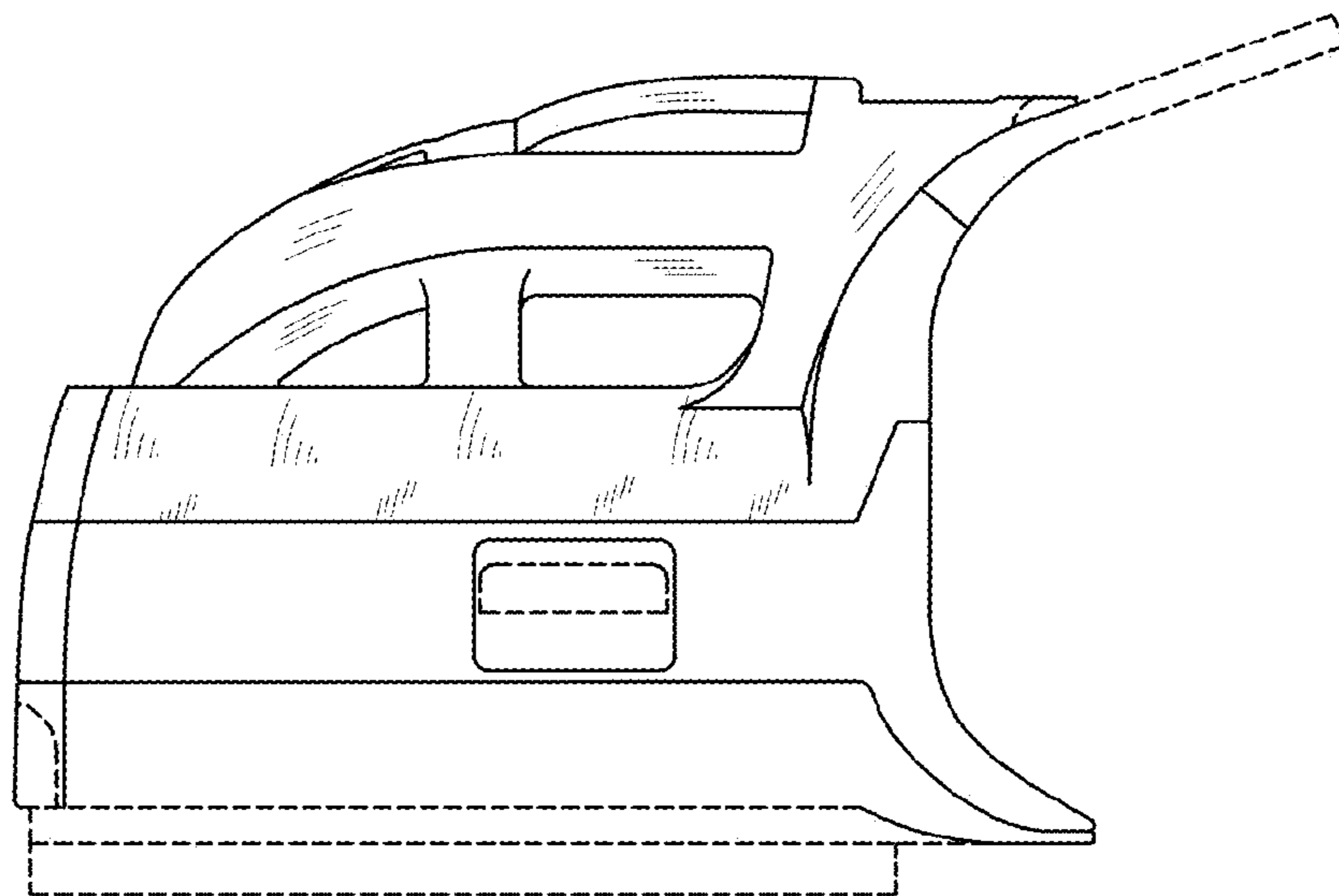


FIG. 8