



US00D748794S

(12) **United States Design Patent**
Dörre et al.

(10) **Patent No.:** **US D748,794 S**
(45) **Date of Patent:** **** Feb. 2, 2016**

(54) **X-RAY APPARATUS**

(56) **References Cited**

(71) Applicant: **SIEMENS**
AKTIENGESELLSCHAFT, München
(DE)

(72) Inventors: **Helmut Dörre**, Nürnberg (DE); **Markus Weingarten**, Bamberg (DE)

(73) Assignee: **SIEMENS**
AKTIENGESELLSCHAFT, München
(DE)

(**) Term: **14 Years**

(21) Appl. No.: **29/496,309**

(22) Filed: **Jul. 11, 2014**

U.S. PATENT DOCUMENTS

5,095,501	A *	3/1992	Kobayashi	378/196
D378,133	S *	2/1997	Murakami et al.	D24/158
6,382,833	B2 *	5/2002	Leandersson et al.	378/197
D553,748	S *	10/2007	Ogiwara	D24/158
D558,877	S *	1/2008	Ogiwara	D24/158
D701,959	S *	4/2014	Johnson	D24/158
2008/0069309	A1 *	3/2008	Dorre	378/197
2010/0278410	A1 *	11/2010	Ohishi	382/131
2011/0170668	A1 *	7/2011	Ozawa et al.	378/198
2012/0257725	A1 *	10/2012	Noda	378/197
2012/0289821	A1 *	11/2012	Graumann et al.	600/424

* cited by examiner

Primary Examiner — Anhdao Doan

(57) **CLAIM**

We claim the ornamental design for an x-ray apparatus, as shown and described.

DESCRIPTION

The patent or application file contains at least one drawing executed in color. Copies of this patent or patent application publication with color drawing(s) will be provided by the Office upon request and payment of the necessary fee.

FIG. 1 is a front view of an x-ray apparatus according to an embodiment.

FIG. 2 is a rear view of the x-ray apparatus according to the embodiment.

FIG. 3 is a top view of the x-ray apparatus according to the embodiment.

FIG. 4 is bottom view of the x-ray apparatus according to the embodiment.

FIG. 5 is a view from the right side of the x-ray apparatus according to the embodiment.

FIG. 6 is a view from the left side of the x-ray apparatus according to the embodiment; and,

FIG. 7 is a perspective view of the x-ray apparatus according to the embodiment.

Related U.S. Application Data

(62) Division of application No. 29/452,984, filed on Apr. 24, 2013.

(30) **Foreign Application Priority Data**

Oct. 31, 2012 (EM) 001351167

(51) **LOC (10) Cl.** **24-01**

(52) **U.S. Cl.**
USPC **D24/158**

(58) **Field of Classification Search**
USPC D24/158–161, 185, 186; 378/4, 21–27,
378/38, 40, 102, 196–198; 600/410, 422
CPC A61B 5/05; A61B 5/055
See application file for complete search history.

1 Claim, 7 Drawing Sheets
(7 of 7 Drawing Sheet(s) Filed in Color)

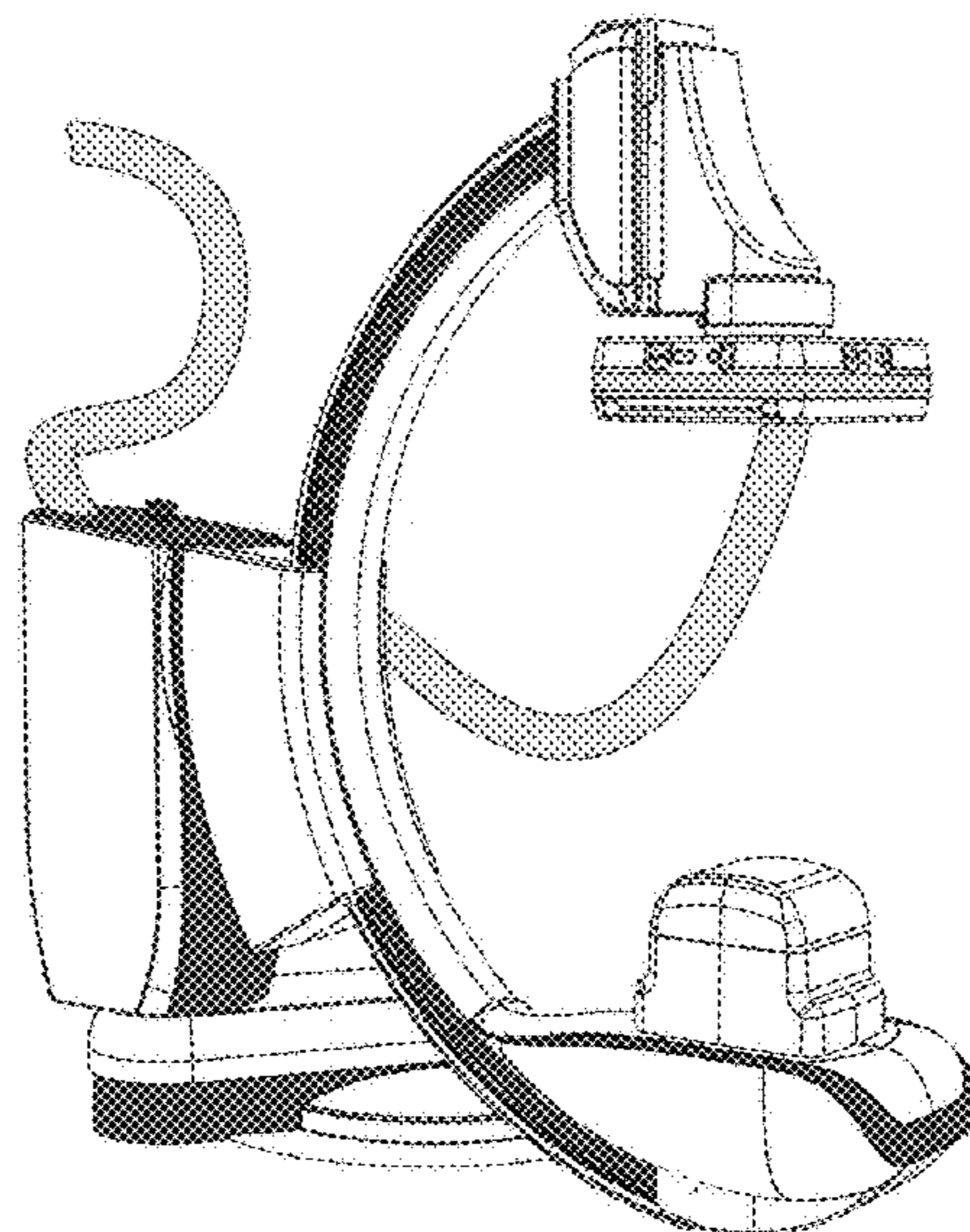


FIG 1

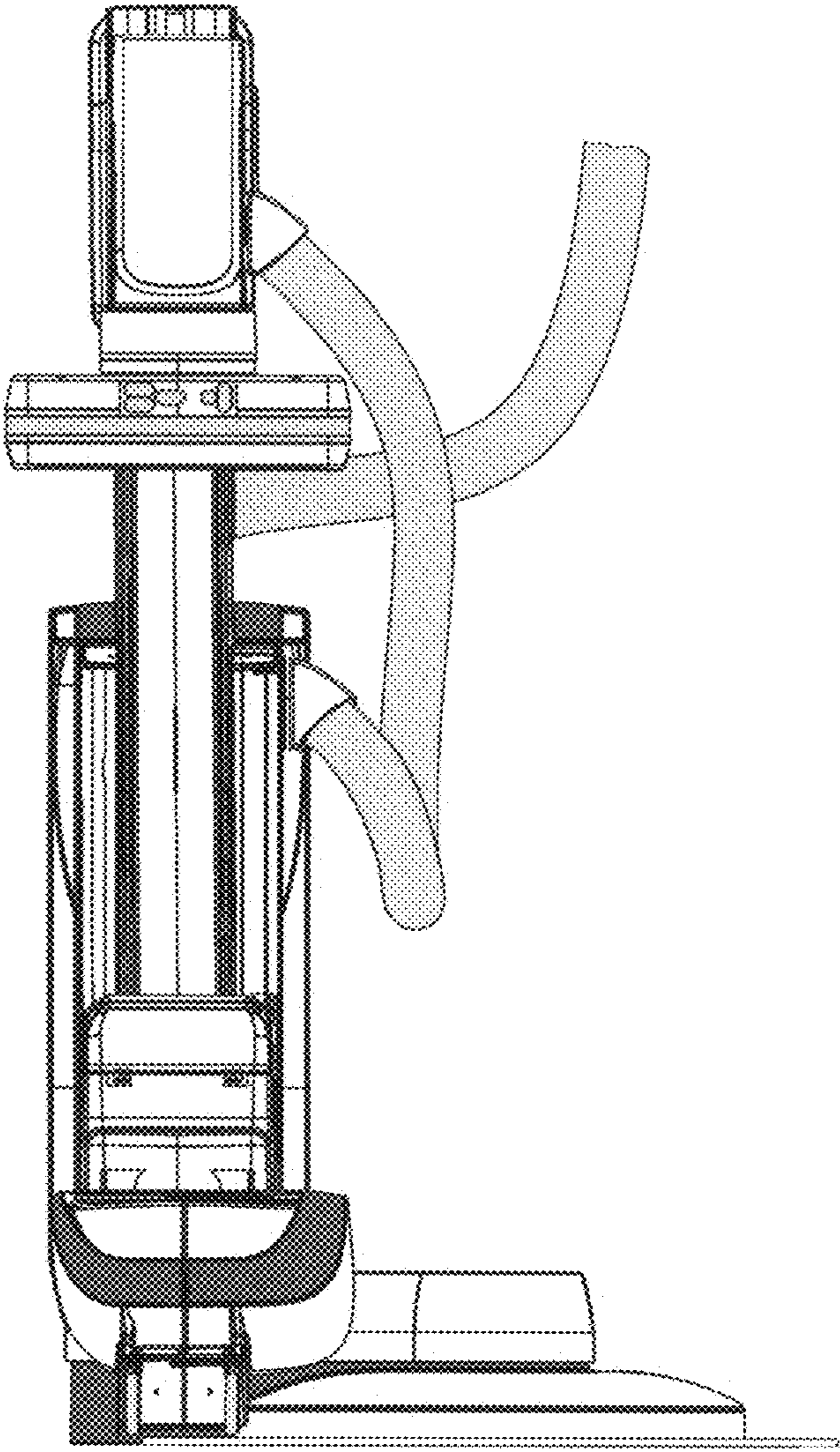


FIG 2

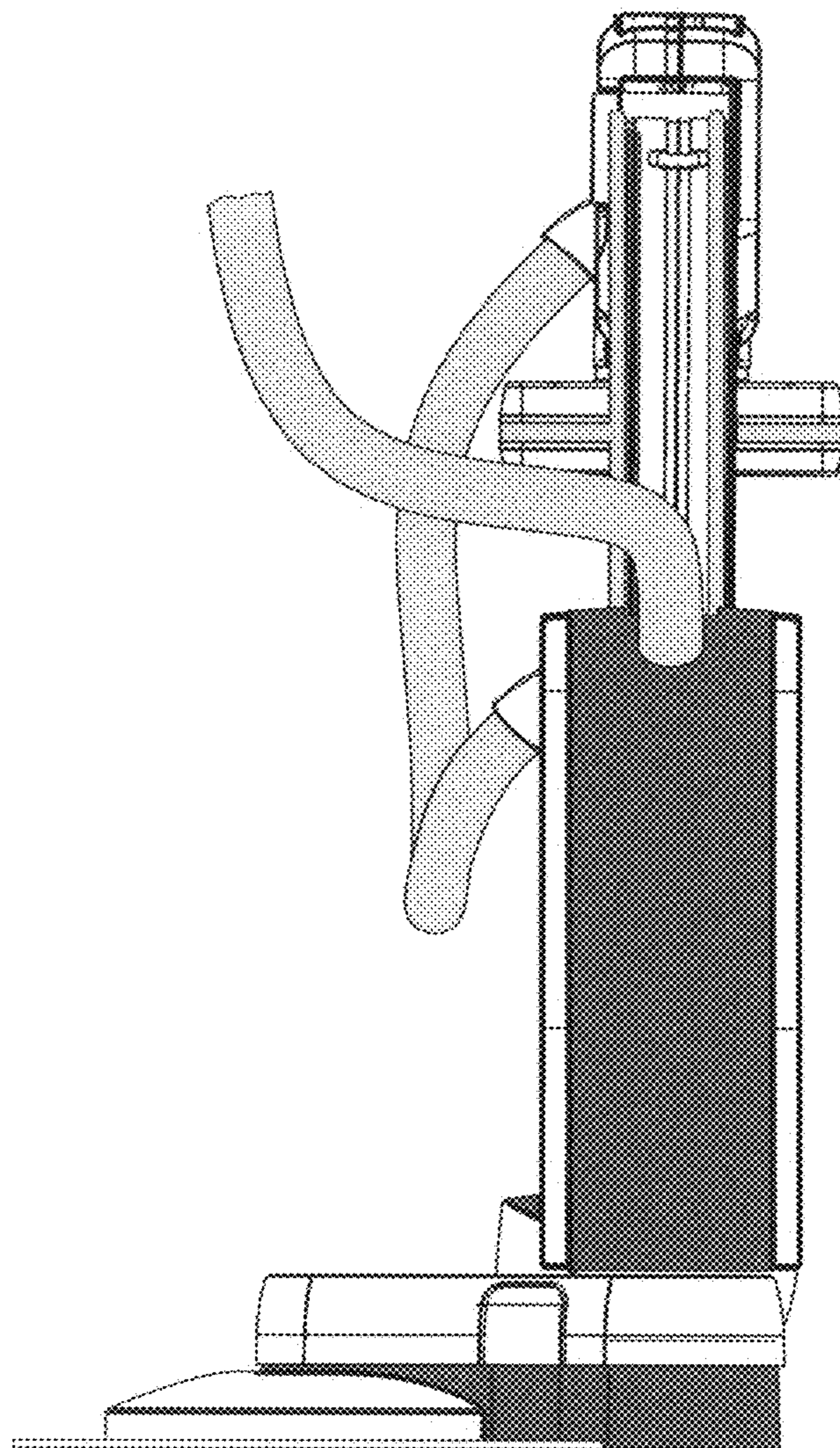


FIG 3

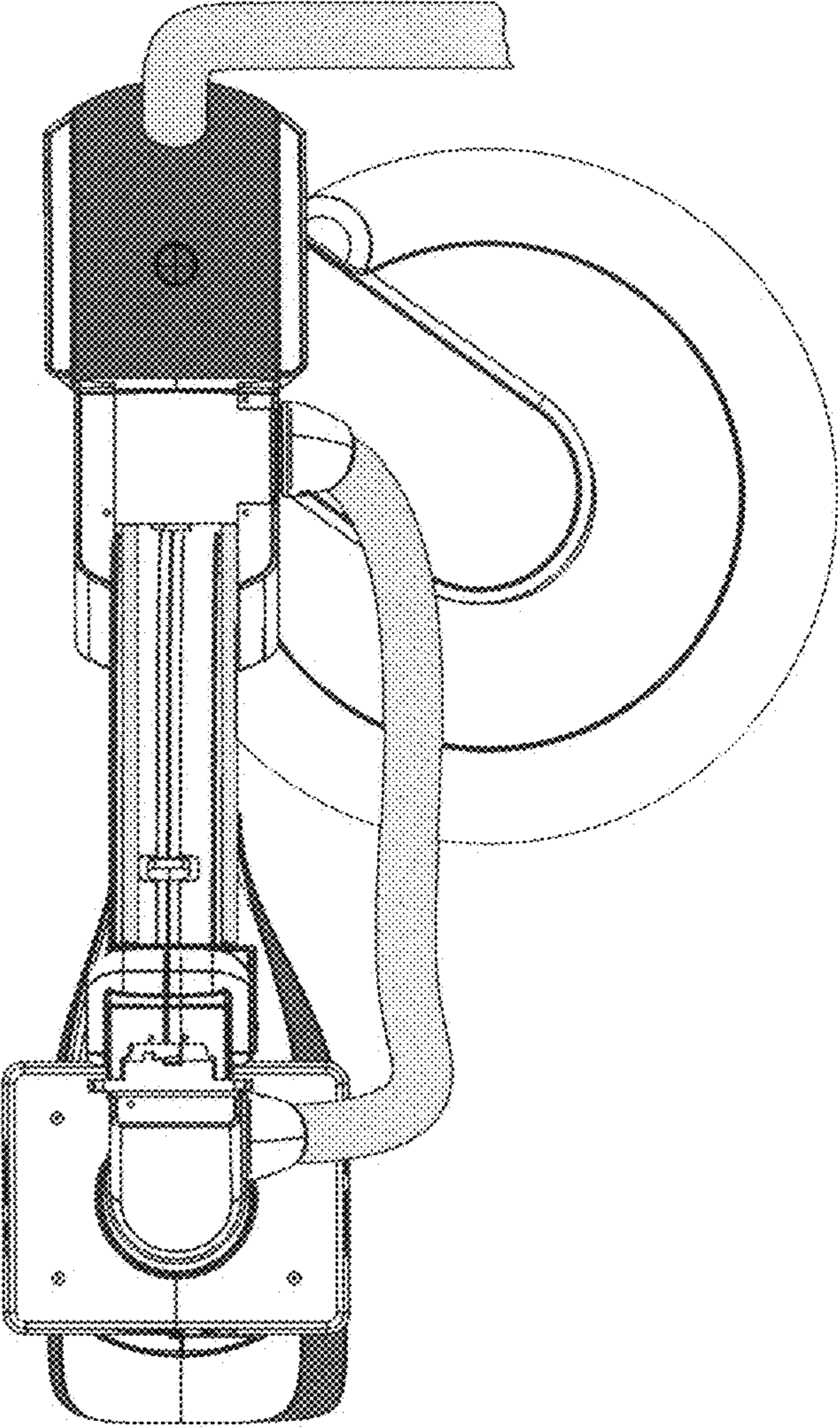


FIG 4

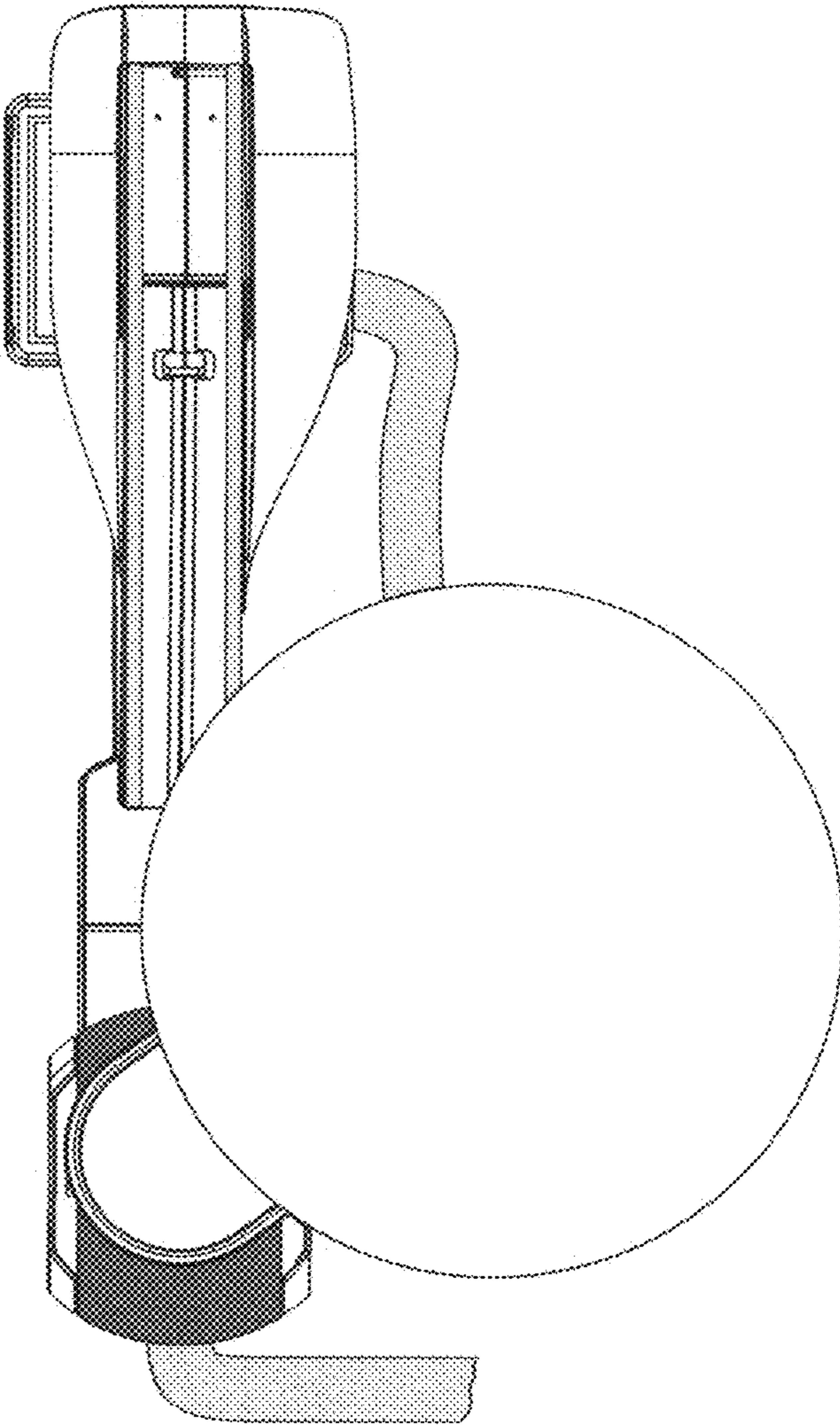


FIG 5

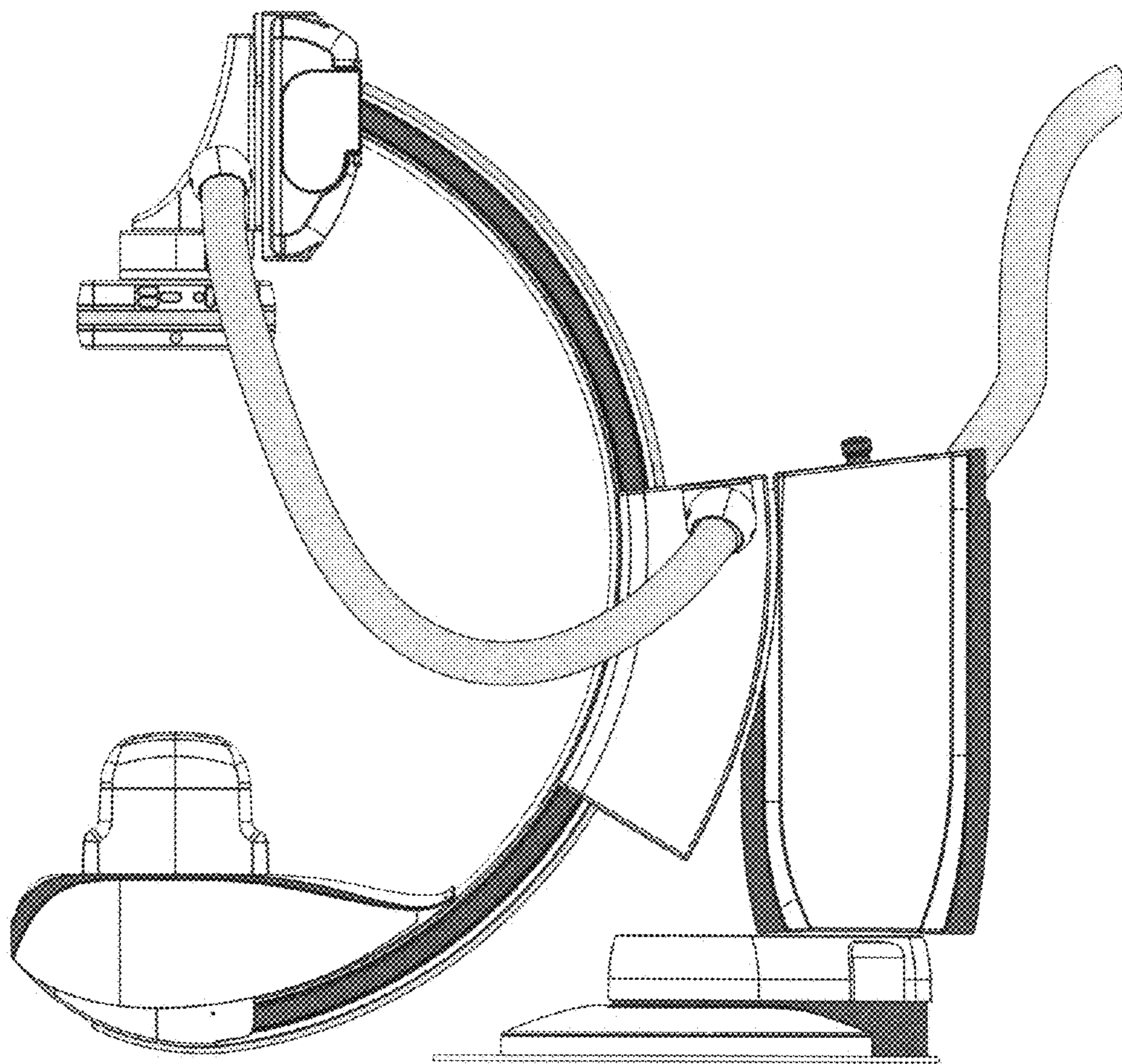


FIG 6

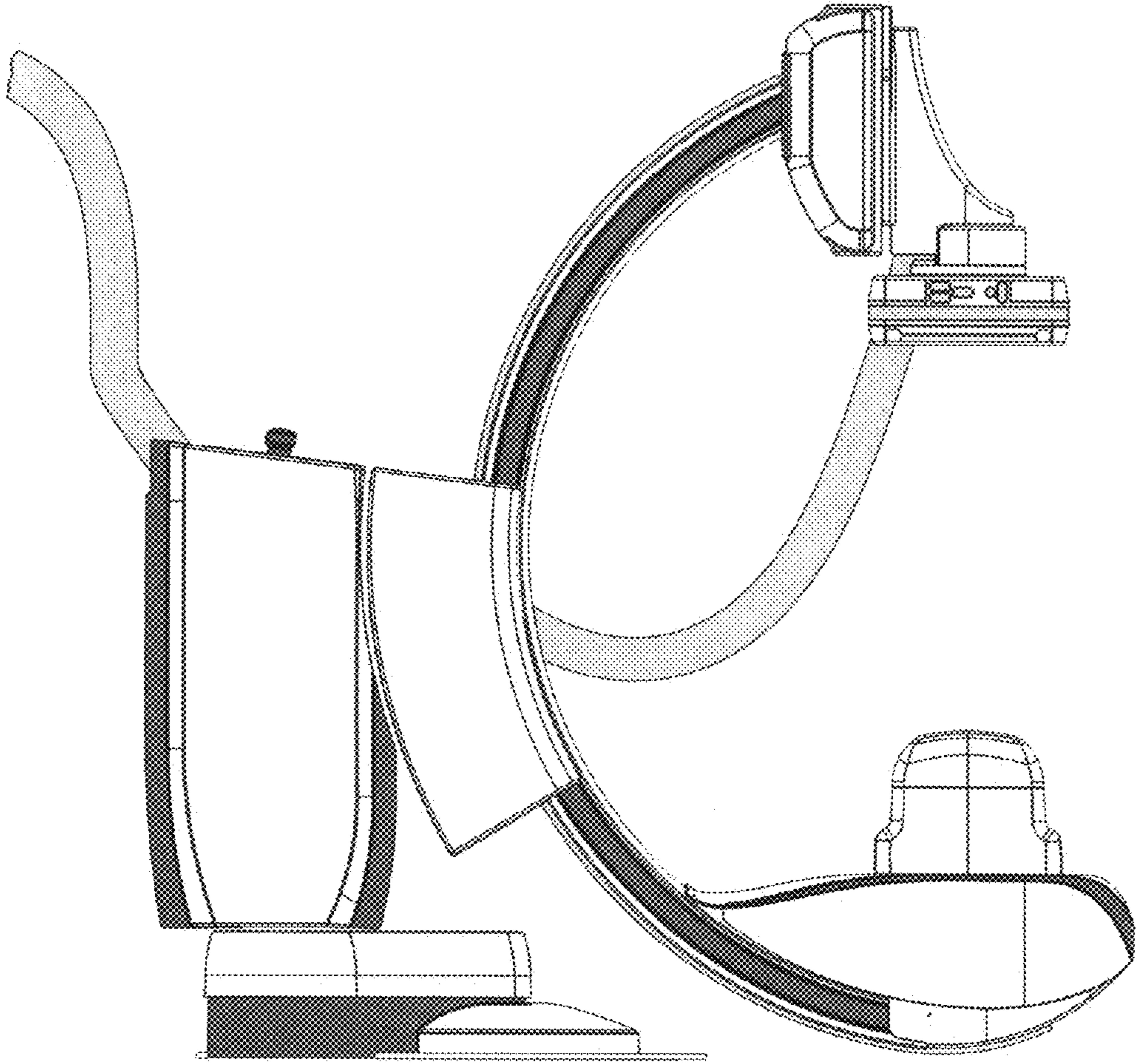


FIG 7

