



US00D748790S

(12) **United States Design Patent**  
**Kampas et al.**

(10) **Patent No.:** **US D748,790 S**  
(45) **Date of Patent:** **\*\* Feb. 2, 2016**

(54) **PART OF A PROSTHESIS**  
(71) Applicant: **OTTO BOCK HEALTHCARE PRODUCTS GMBH**, Vienna (AT)  
(72) Inventors: **Philipp Kampas**, Vienna (AT); **Bernhard Van Mazijk**, Riederberg (AT); **Sebastian Kulesa**, Bovenden (DE); **Martin Mitterer**, Bad Reichenhall (DE); **Stephan Lintner**, Elsbethen (AT); **Andre Marsiglia**, Anif-Salzburg (AT); **Stefano Cesari**, Moosdorf (AT)

4,911,724 A \* 3/1990 Fikes ..... A61F 2/60 623/37  
5,152,800 A \* 10/1992 Rothschild ..... A61F 2/60 623/33  
5,376,127 A \* 12/1994 Swanson ..... A61F 2/78 264/511  
D383,542 S \* 9/1997 Wellershaus ..... D24/155  
5,880,964 A \* 3/1999 Schall ..... A61F 2/5046 623/27  
6,153,139 A \* 11/2000 Marquette ..... A61F 2/5046 264/219  
6,597,965 B2 \* 7/2003 Graves ..... A61F 2/5046 623/27  
D499,487 S \* 12/2004 Bedard ..... D24/155  
D501,925 S \* 2/2005 Bedard ..... D24/155  
7,438,725 B2 \* 10/2008 Slemker ..... A61F 2/64 623/39  
D592,749 S \* 5/2009 Muhlenberend ..... D24/155  
7,797,072 B2 \* 9/2010 Summit ..... A61F 2/5046 623/29  
D721,810 S \* 1/2015 Sigurdsson ..... D24/155

(73) Assignee: **OTTO BOCK HEALTHCARE PRODUCTS GMBH**, Vienna (AT)

(\*\*) Term: **14 Years**

(21) Appl. No.: **29/508,934**

(22) Filed: **Nov. 12, 2014**

(30) **Foreign Application Priority Data**

May 12, 2014 (EM) ..... 002462119

(51) **LOC (10) Cl.** ..... **24-02**

(52) **U.S. Cl.**  
USPC ..... **D24/155**

(58) **Field of Classification Search**  
USPC ..... D24/155  
CPC ..... A61F 2/80; A61F 2/60; A61F 2/76; A61F 2/68; A61F 2/64; A61F 2220/0025; A61F 2220/41; A61F 2002/607; A61F 2002/802; A61F 2002/5007  
See application file for complete search history.

(56) **References Cited**

**U.S. PATENT DOCUMENTS**

2,634,424 A \* 4/1953 O’Gorman ..... A61F 2/7843 623/37  
3,422,462 A \* 1/1969 Finnieston ..... A61F 2/60 623/33  
3,909,855 A \* 10/1975 Barredo ..... A61F 2/60 623/27

\* cited by examiner

*Primary Examiner* — Susan Bennett Hattan

*Assistant Examiner* — Charles Hanson

(74) *Attorney, Agent, or Firm* — Holland & Hart

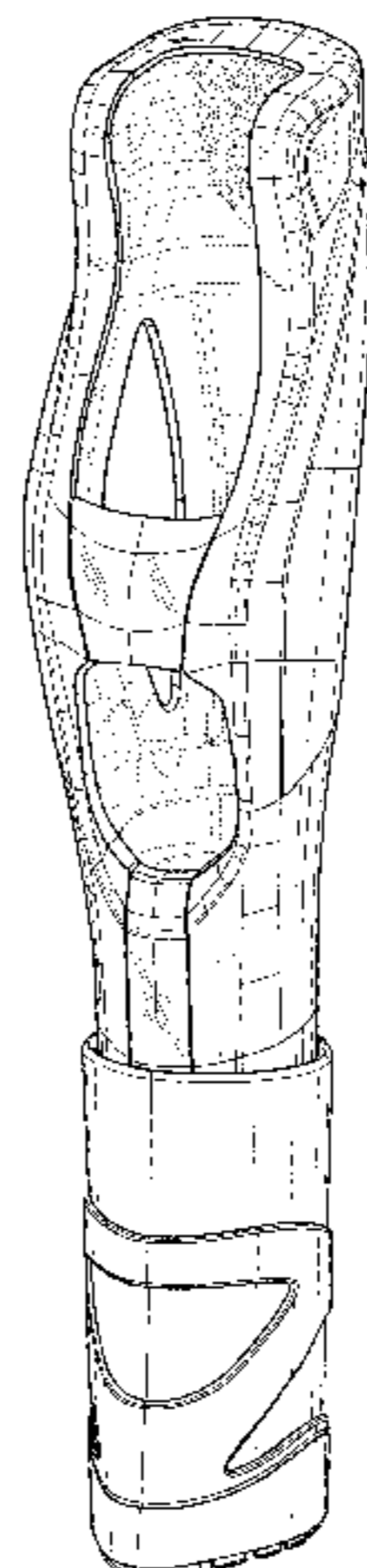
(57) **CLAIM**

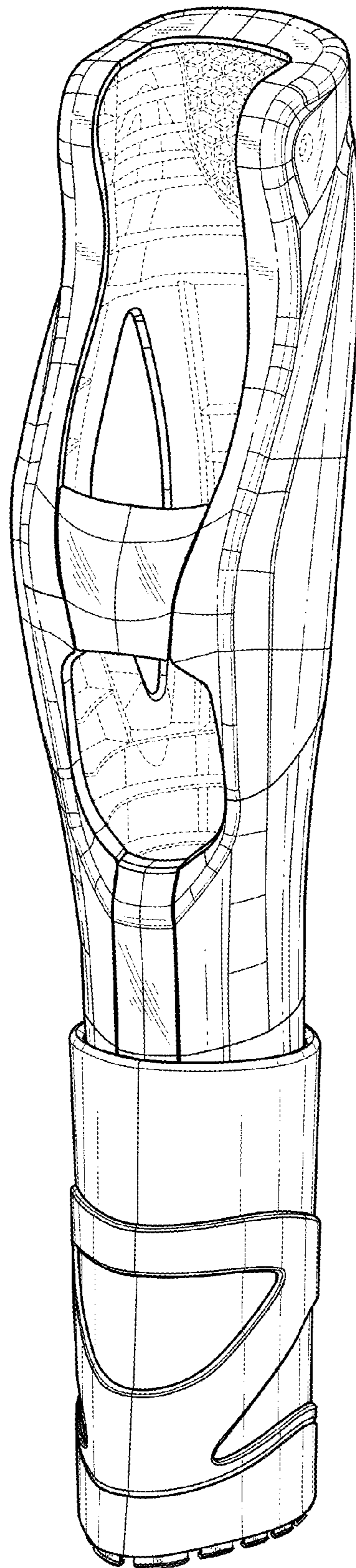
The ornamental design for a part of a prosthesis, as shown and described.

**DESCRIPTION**

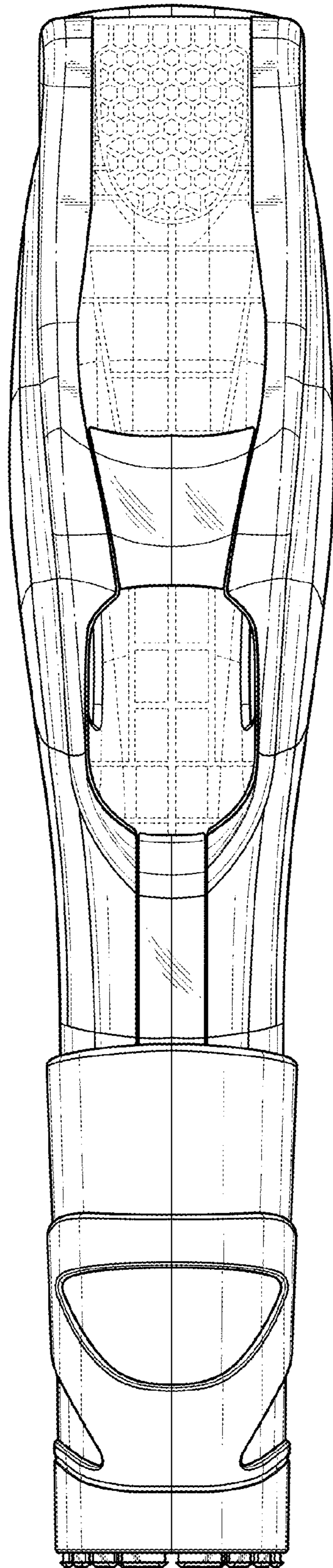
FIG. 1 is a perspective view of a part of a prosthesis according to the present invention;  
FIG. 2 is a front view thereof;  
FIG. 3 is a right side view thereof;  
FIG. 4 is a left side view thereof;  
FIG. 5 is a rear view thereof;  
FIG. 6 is a top view thereof; and,  
FIG. 7 is a bottom view thereof.  
The broken lines in the drawing views are included for the purpose of illustrating environment and form no part of the claimed design.

**1 Claim, 6 Drawing Sheets**

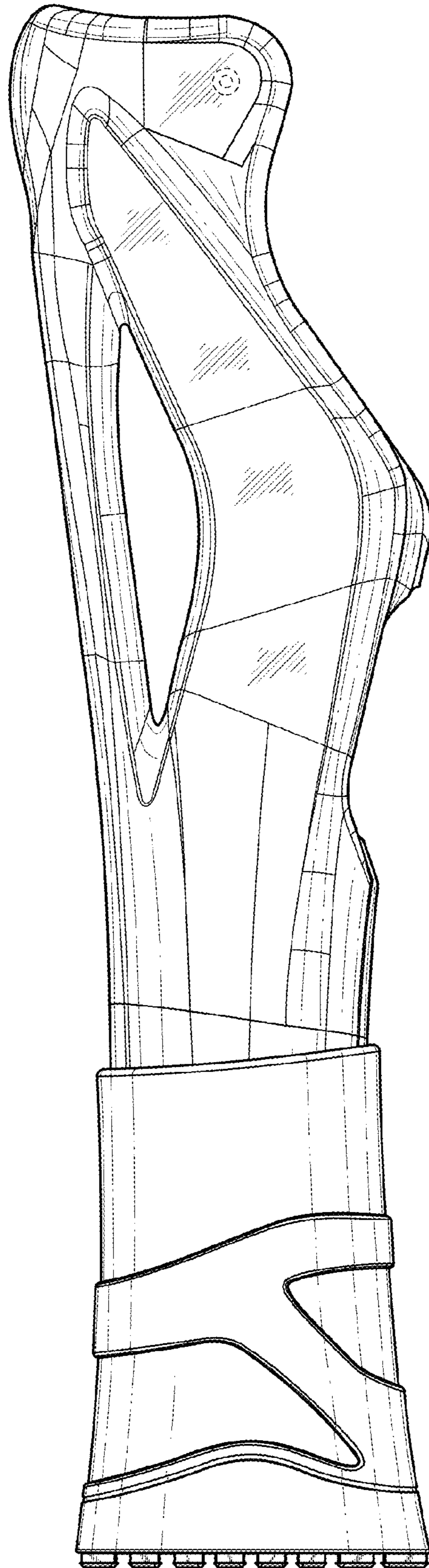




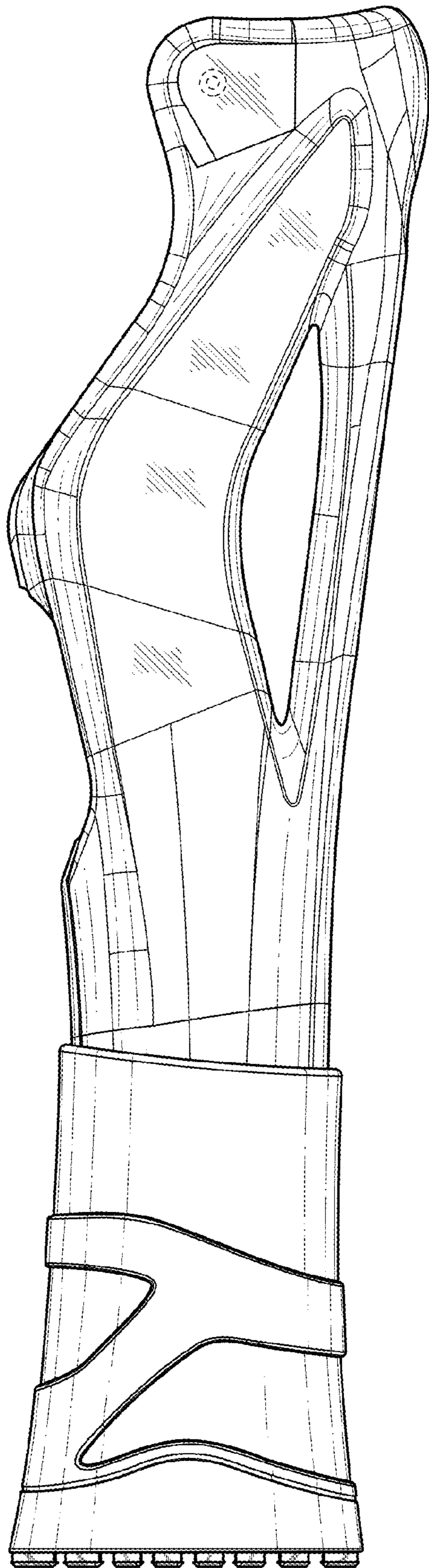
**FIG. 1**



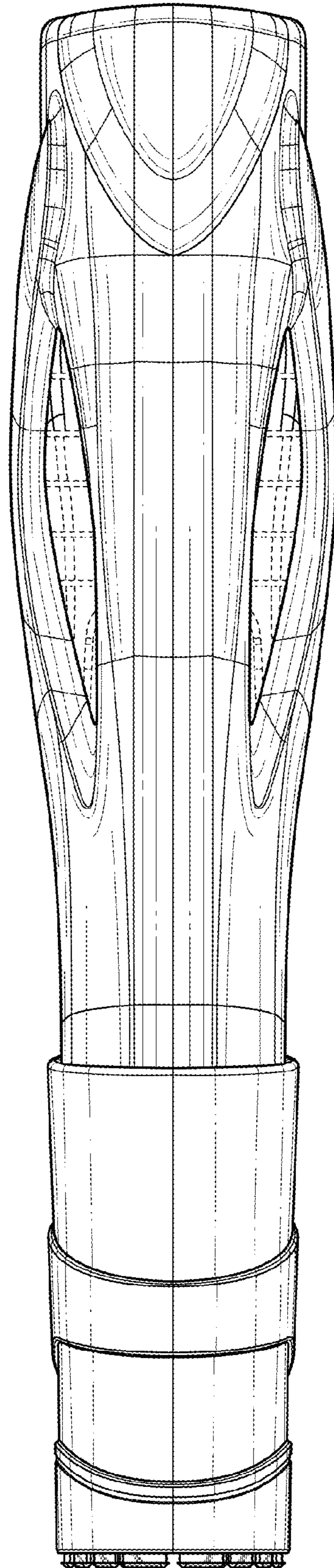
**FIG. 2**



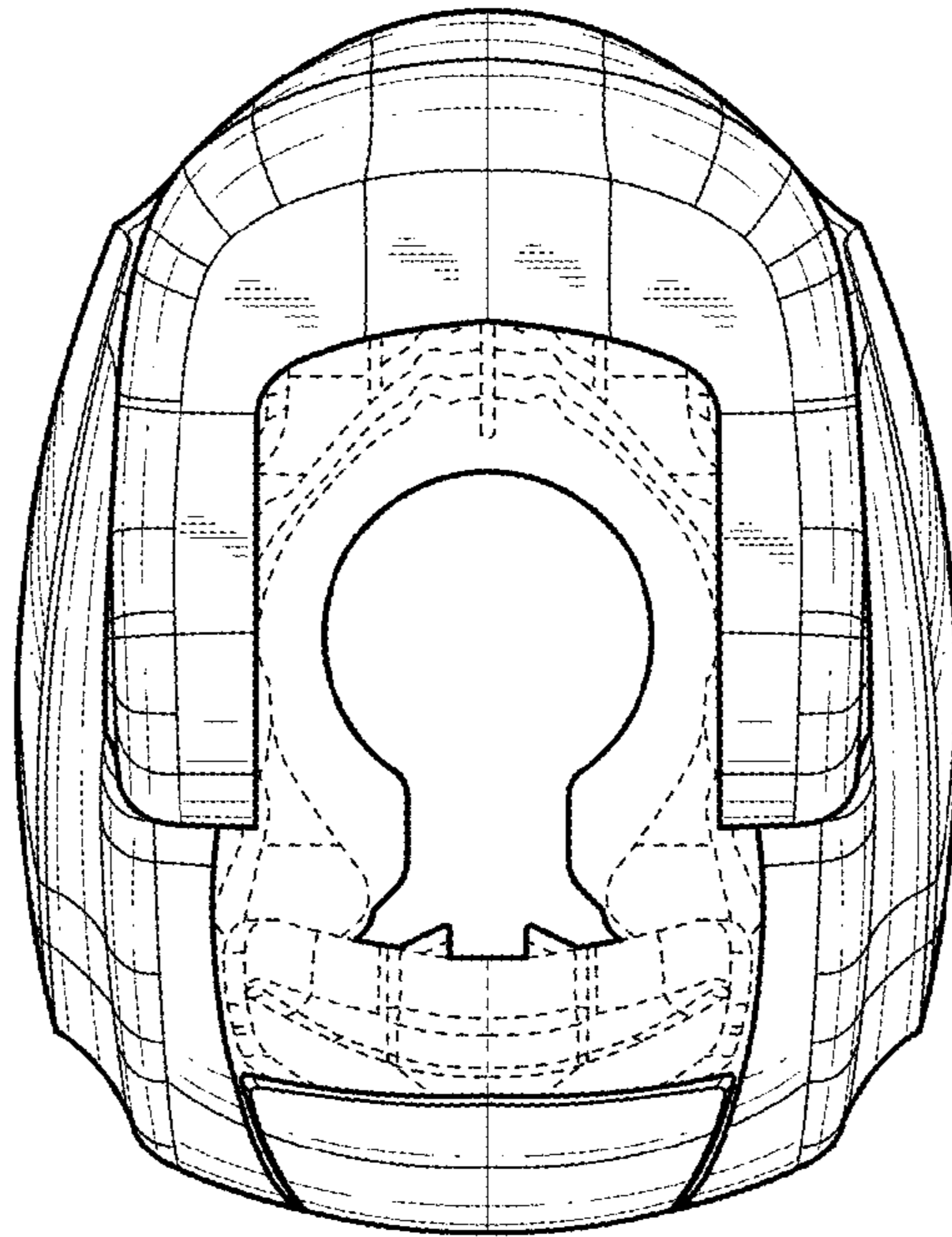
**FIG. 3**



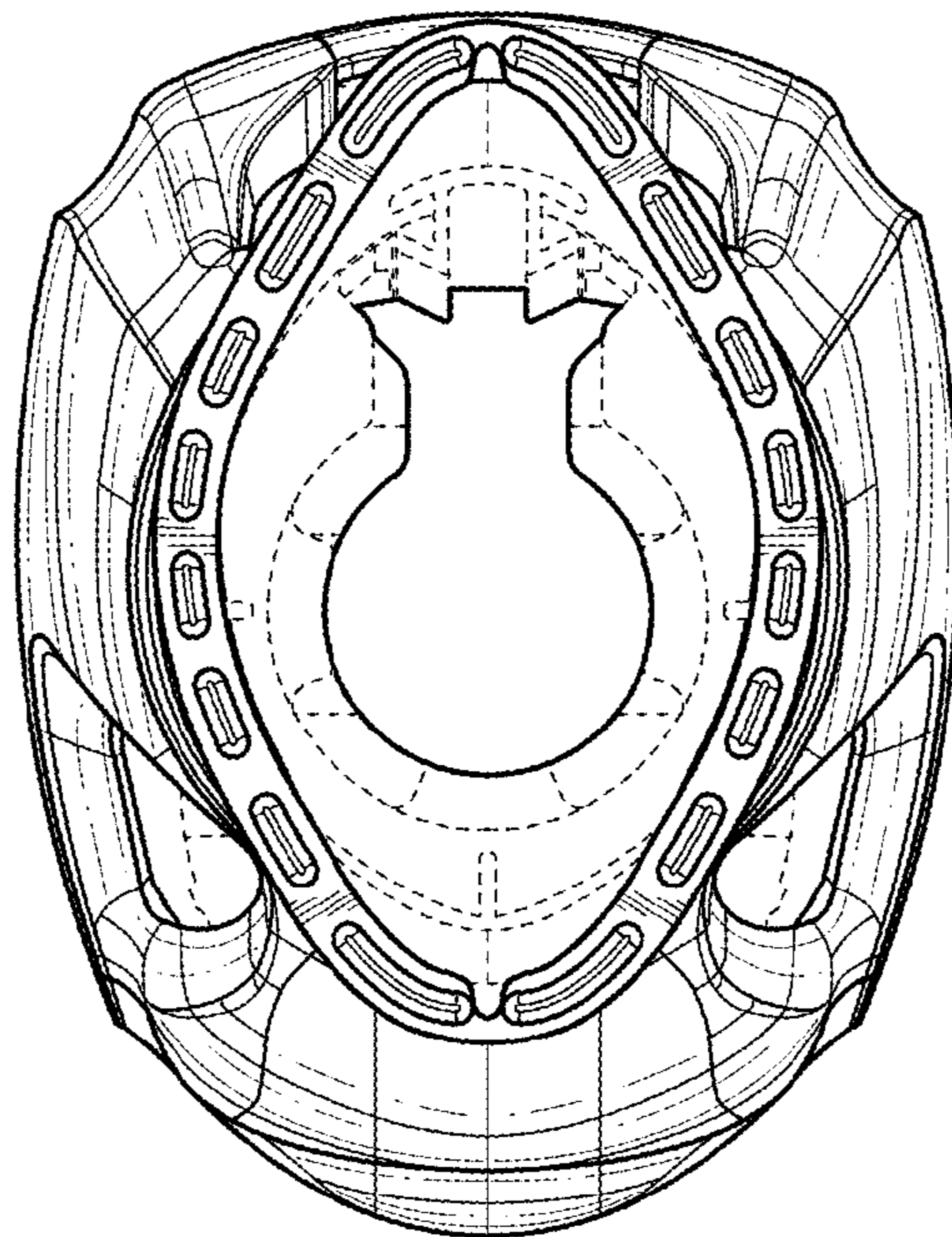
**FIG. 4**



**FIG. 5**



**FIG. 6**



**FIG. 7**