



US00D748789S

(12) **United States Design Patent**  
**Noack**

(10) **Patent No.:** **US D748,789 S**

(45) **Date of Patent:** **\*\* Feb. 2, 2016**

(54) **PROSTHESIS**

(71) Applicant: **OTTO BOCK HEALTHCARE GMBH, Duderstadt (DE)**

(72) Inventor: **Christian Noack, Goettingen (DE)**

(73) Assignee: **OTTO BOCK HEALTHCARE GMBH, Duderstadt (DE)**

(\*\*) Term: **14 Years**

(21) Appl. No.: **29/508,372**

(22) Filed: **Nov. 5, 2014**

(30) **Foreign Application Priority Data**

May 9, 2014 (EM) ..... 002461103-0004

(51) **LOC (10) Cl.** ..... **24-02**

(52) **U.S. Cl.**  
USPC ..... **D24/155**

(58) **Field of Classification Search**  
USPC ..... D24/155  
CPC ..... A61F 2/80; A61F 2/60; A61F 2/76;  
A61F 2/68; A61F 2/64; A61F 2220/0025;  
A61F 2220/41; A61F 2002/607; A61F  
2002/802; A61F 2002/5007  
See application file for complete search history.

(56) **References Cited**

**U.S. PATENT DOCUMENTS**

D439,339 S \* 3/2001 Sawatzki ..... D24/155  
D446,304 S \* 8/2001 Sawatzki ..... D24/155

D525,709 S \* 7/2006 Boiten ..... D24/155  
D526,062 S \* 8/2006 Harn ..... D24/155  
D526,412 S \* 8/2006 Harn ..... D24/155  
D632,790 S \* 2/2011 Cheng ..... D24/155  
D702,348 S \* 4/2014 Noack ..... D24/155  
D732,167 S \* 6/2015 Terleski ..... D24/155  
D732,168 S \* 6/2015 Terleski ..... D24/155  
D735,862 S \* 8/2015 Noack ..... D24/155

**FOREIGN PATENT DOCUMENTS**

TW D129795 7/2009  
TW D144017 11/2011

\* cited by examiner

*Primary Examiner* — Susan Bennett Hattan

*Assistant Examiner* — Charles Hanson

(74) *Attorney, Agent, or Firm* — Holland & Hart

(57) **CLAIM**

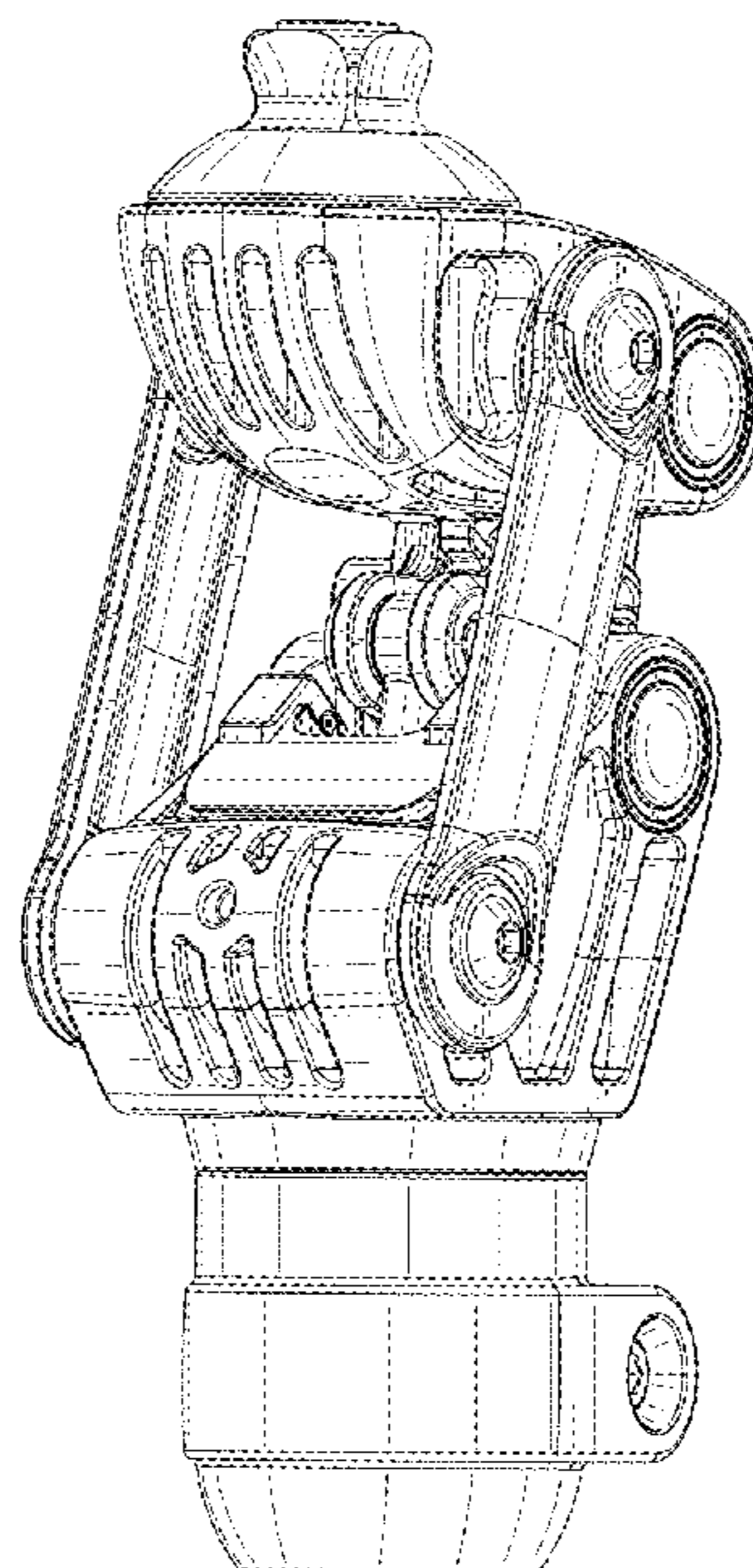
The ornamental design for a prosthesis, as shown and described.

**DESCRIPTION**

FIG. 1 is a perspective view of a prosthesis according to the present invention;  
FIG. 2 is a front view thereof;  
FIG. 3 is a rear view thereof;  
FIG. 4 is a left side view thereof;  
FIG. 5 is a right side view thereof;  
FIG. 6 is a top view thereof; and,  
FIG. 7 is a bottom view thereof.

The broken lines in the drawing views are included for the purpose of illustrating environment and form no part of the claimed design.

**1 Claim, 7 Drawing Sheets**



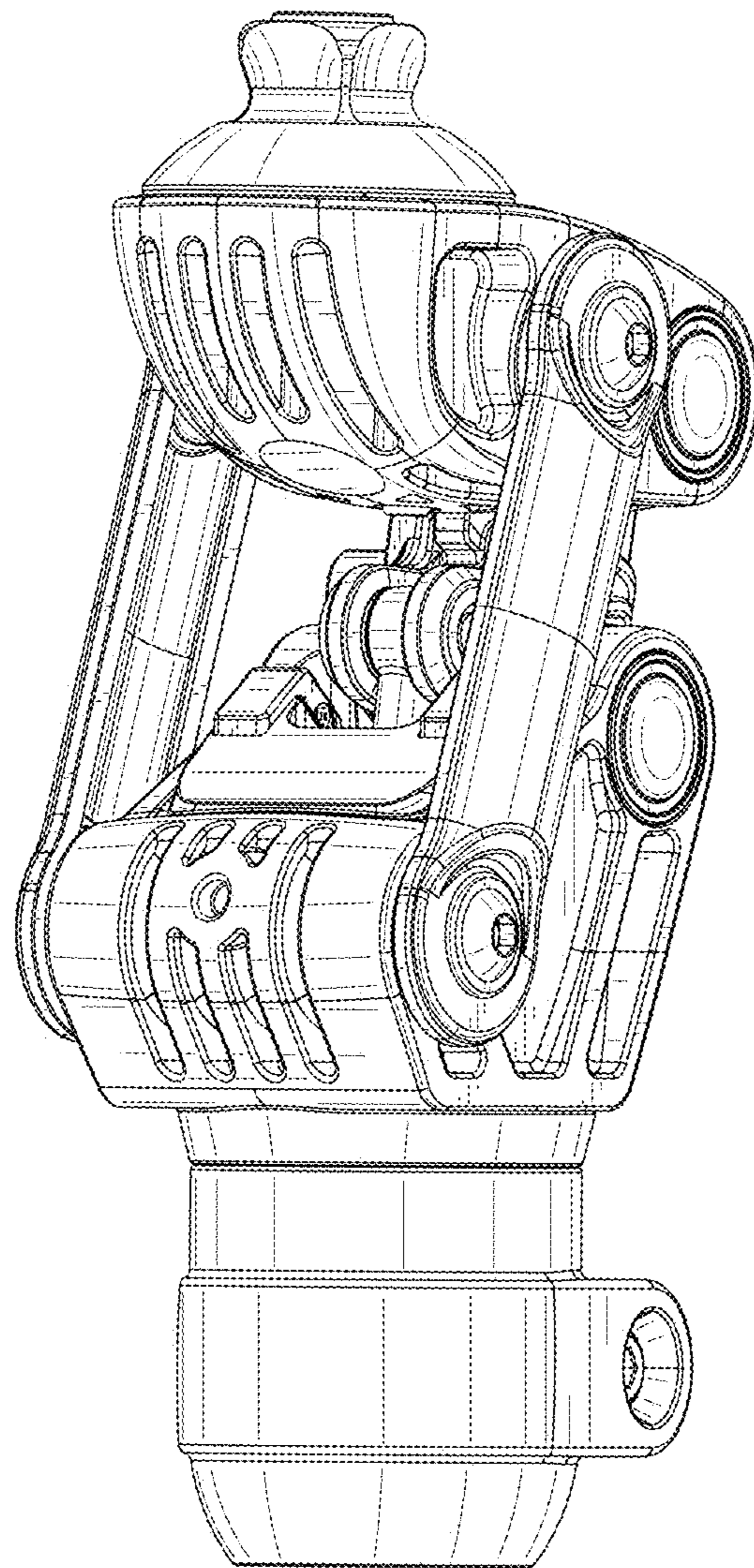


FIG. 1

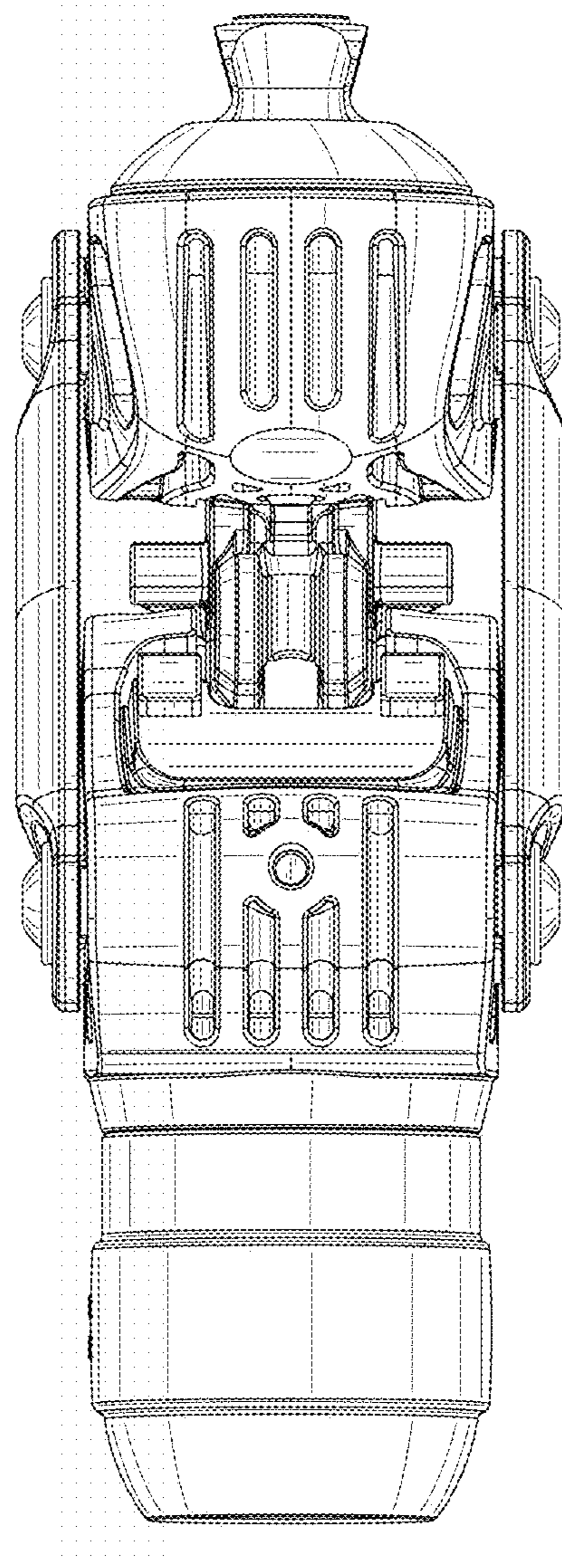


FIG. 2

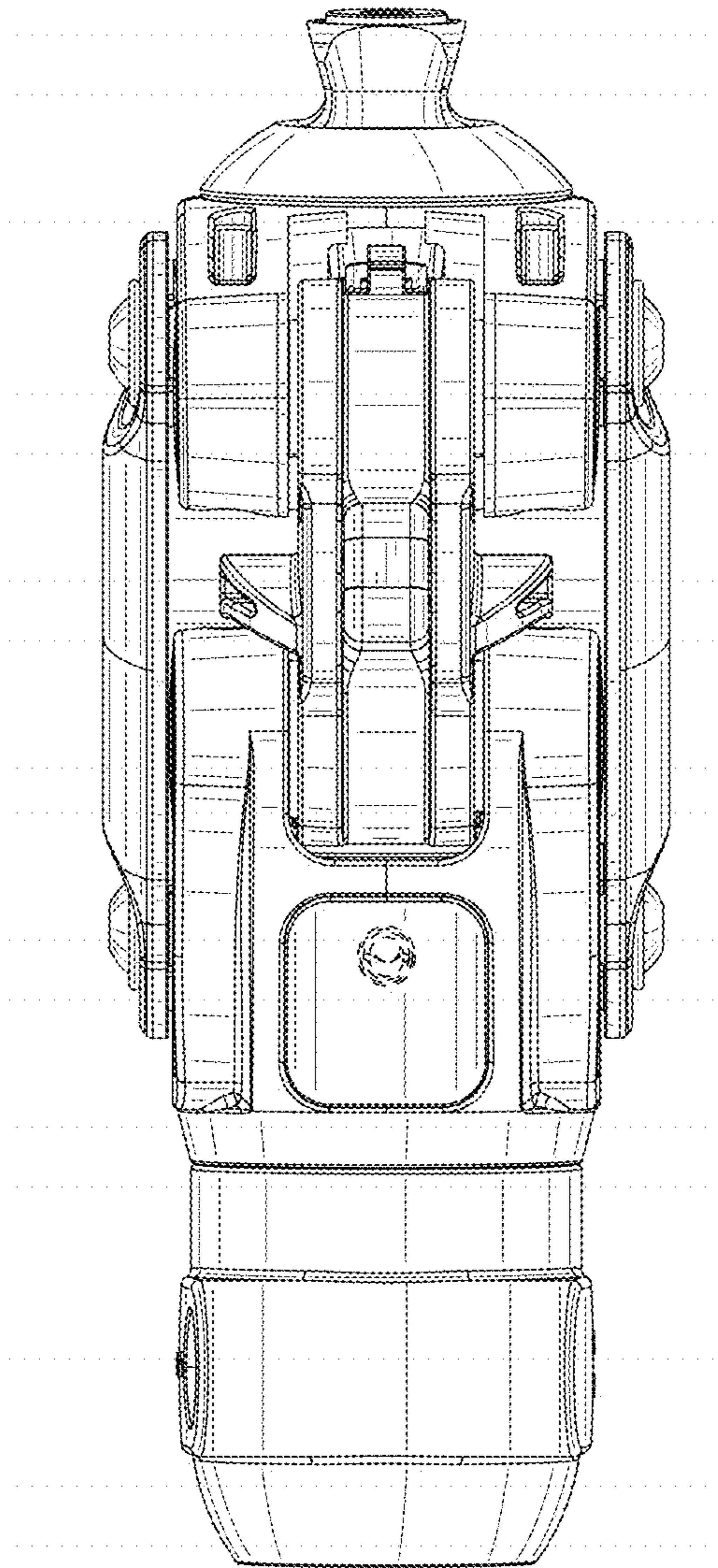


FIG. 3

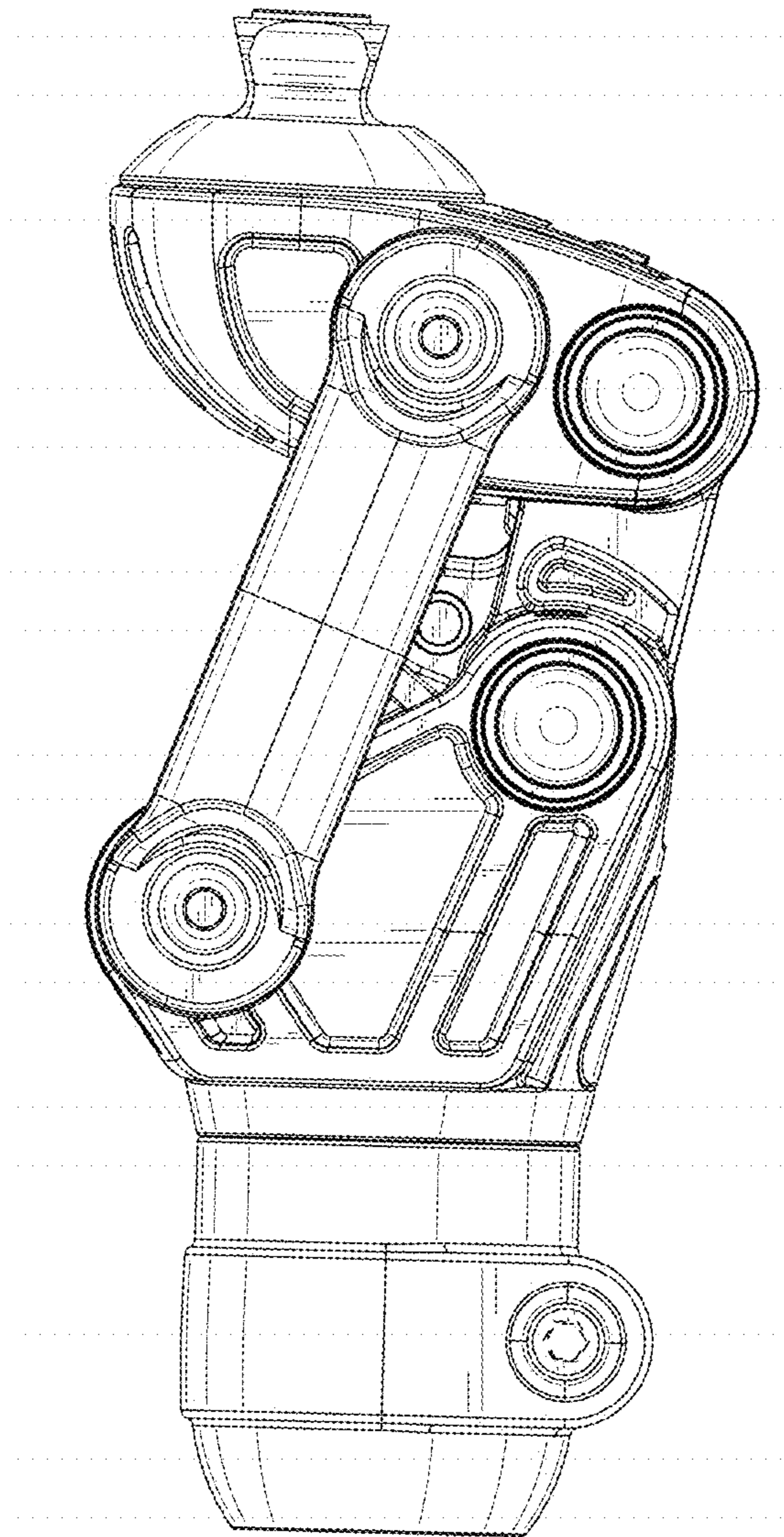


FIG. 4

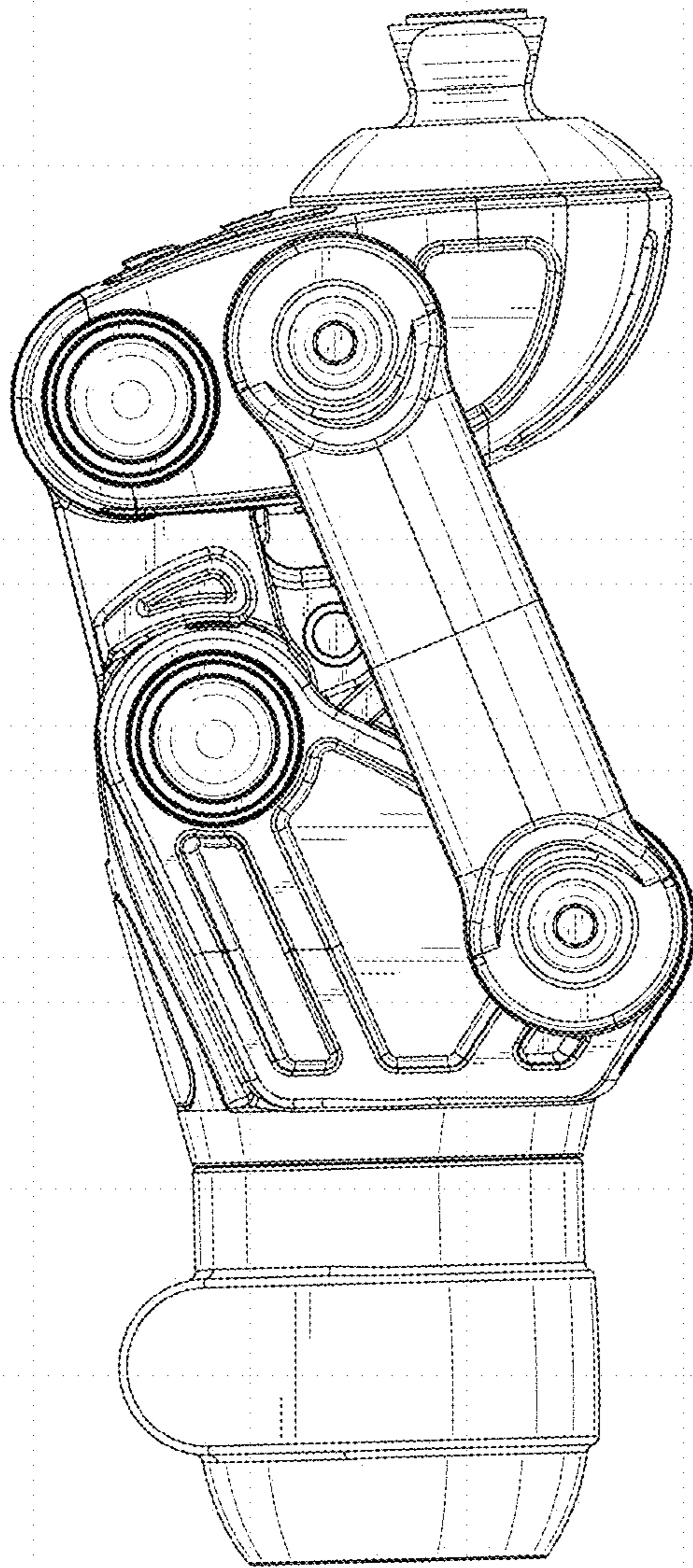


FIG. 5

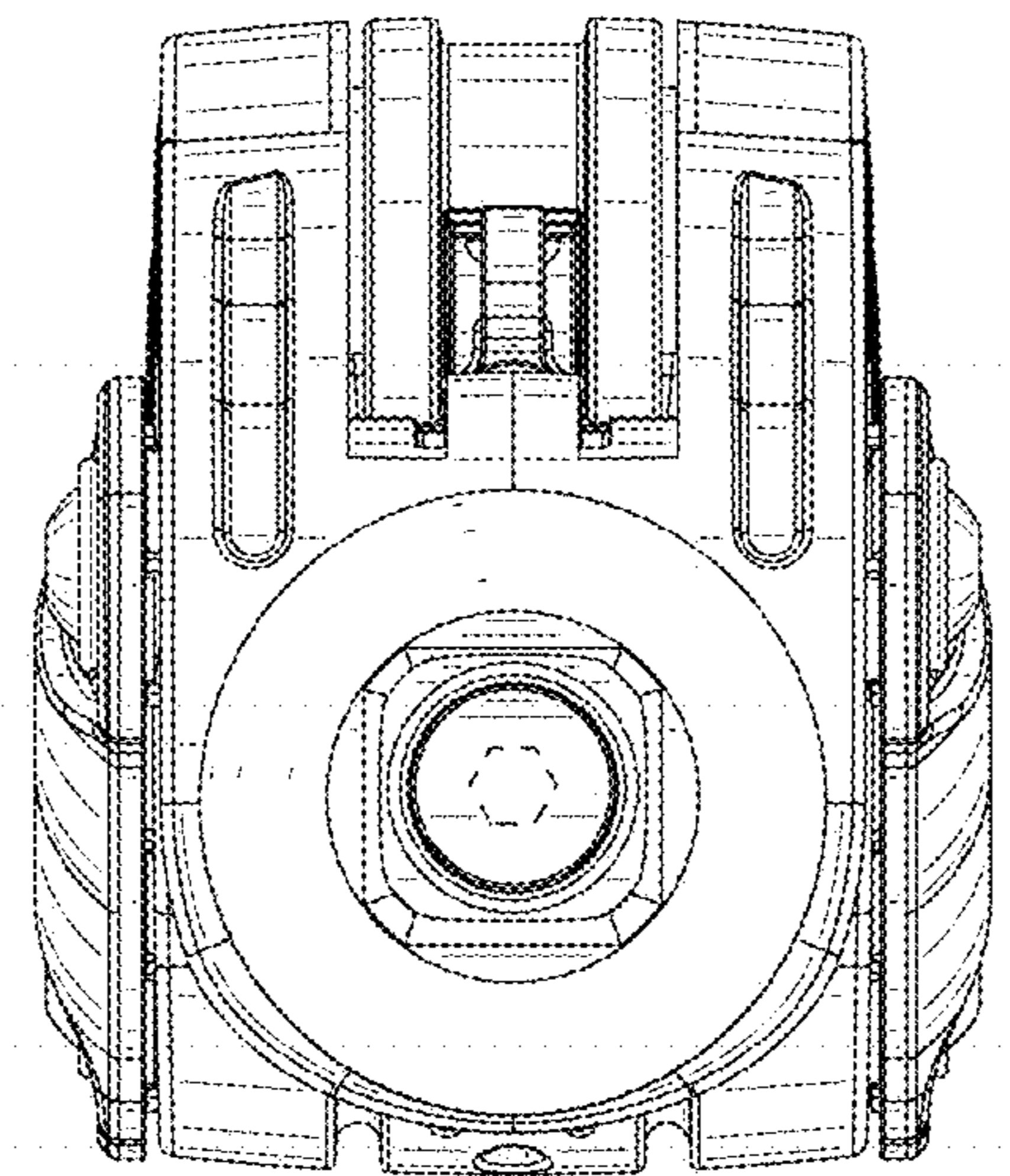


FIG. 6

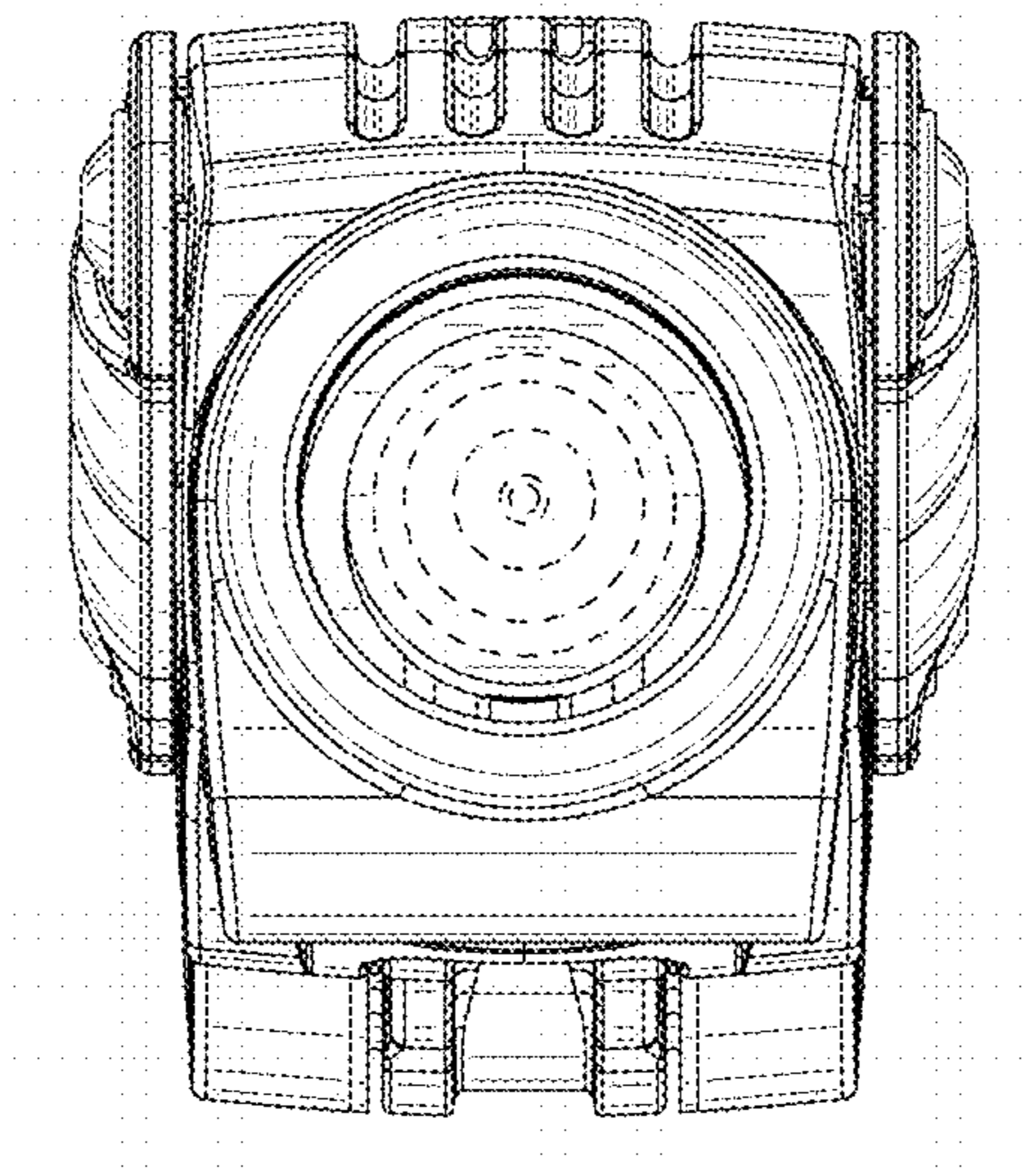


FIG. 7