



US00D748786S

(12) **United States Design Patent**
Bailey et al.

(10) **Patent No.:** **US D748,786 S**
(45) **Date of Patent:** **** Feb. 2, 2016**

(54) **TIBIAL TRIAL COMPONENT**

(71) Applicant: **DEPUY (IRELAND)**, Cork (IE)

(72) Inventors: **Darren R. Bailey**, Warsaw, IN (US);
Ryan C. Keefer, Warsaw, IN (US); **Todd A. Kilpela**, Richfield, MN (US);
William R. Macumber, Edwardsburg, MI (US); **Steven P. Gowers**, Cambridge (GB); **Jonathan C. Lee**, Mishawaka, IN (US); **Lisa M. Major**, Warsaw, IN (US)

(73) Assignee: **DEPUY (IRELAND)** (IE)

(**) Term: **14 Years**

(21) Appl. No.: **29/469,951**

(22) Filed: **Oct. 16, 2013**

(51) **LOC (10) Cl.** **24-02**

(52) **U.S. Cl.**
USPC **D24/140**

(58) **Field of Classification Search**
USPC D24/140, 155, 171, 133, 143, 145, 146, D24/147
CPC A61B 17/17; A61B 17/16; A61B 17/11; A61B 17/00; A61B 18/00; A61B 19/00; A61B 17/1675; A61B 17/1764; A61B 17/1767; A61F 2/46; A61F 2/4601; A61F 2/4603; A61F 2/461; A61F 2/3868; A61F 2002/4631; A61F 2002/4687

See application file for complete search history.

(56) **References Cited**

U.S. PATENT DOCUMENTS

| | | | | | |
|-----------|-----|---------|------------------|-------|-----------|
| 4,808,185 | A * | 2/1989 | Penenberg et al. | | 623/20.29 |
| D326,156 | S * | 5/1992 | Martinez | | D24/155 |
| 5,137,536 | A * | 8/1992 | Koshino | | 623/20.34 |
| D358,211 | S * | 5/1995 | Cohen | | D24/155 |
| D358,647 | S * | 5/1995 | Cohen et al. | | D24/155 |
| 5,413,608 | A * | 5/1995 | Keller | | 623/20.33 |
| 5,480,444 | A * | 1/1996 | Incavo et al. | | 623/20.32 |
| 5,609,642 | A * | 3/1997 | Johnson et al. | | 606/88 |
| 5,690,636 | A * | 11/1997 | Wildgoose et al. | | 606/88 |

| | | | | | |
|--------------|------|---------|--------------------|-------|-----------|
| 5,733,290 | A * | 3/1998 | McCue et al. | | 606/86 R |
| 6,159,216 | A * | 12/2000 | Burkinshaw et al. | | 606/88 |
| 6,355,045 | B1 * | 3/2002 | Gundlapalli et al. | | 606/88 |
| 9,028,501 | B2 * | 5/2015 | Thomas et al. | | 606/88 |
| 2004/0049284 | A1 * | 3/2004 | German et al. | | 623/20.15 |

(Continued)

FOREIGN PATENT DOCUMENTS

CN 303096724 * 2/2015

OTHER PUBLICATIONS

Manufacturing News. <URL: <http://mfgnewsweb.com/archives/3/5726/Additive-Manufacturing-mar13/CombinedTechnologiesProduceComplexTitaniumImplant.aspx>>. Mar. 1, 2013. Titanium tibial tray.*
Zimmer NexGen LCCCK, Surgical Technique for use with LCCCK 4-in-1 Instrument, 2009, 52 pages.
DePuy Orthopaedics, Inc., Sigma Revision and M.B.T. Revision Tray, Surgical Technique, 2008, 82 pages.

(Continued)

Primary Examiner — Bridget L Eland

Assistant Examiner — Lauren McVey

(74) *Attorney, Agent, or Firm* — Barnes & Thornburg, LLP

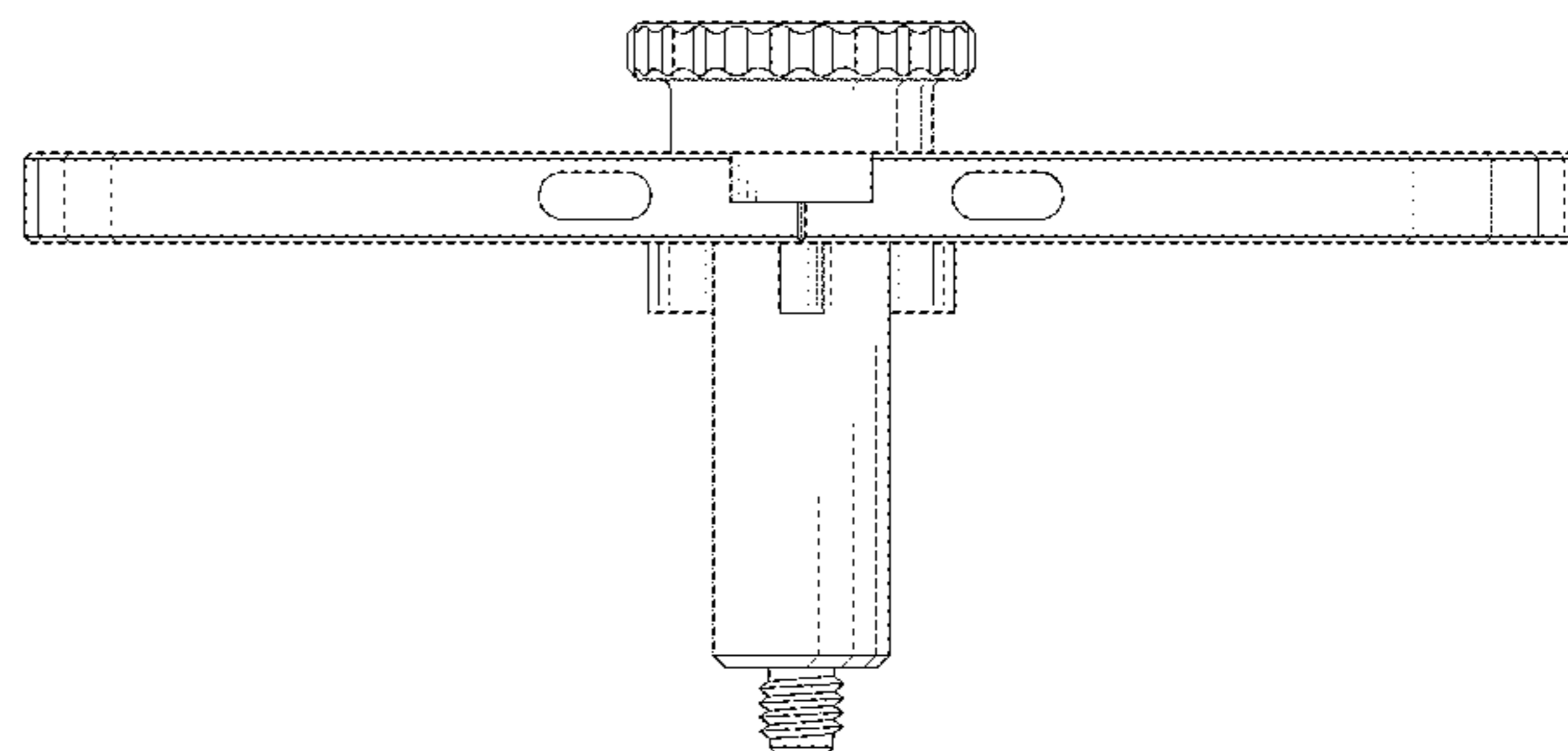
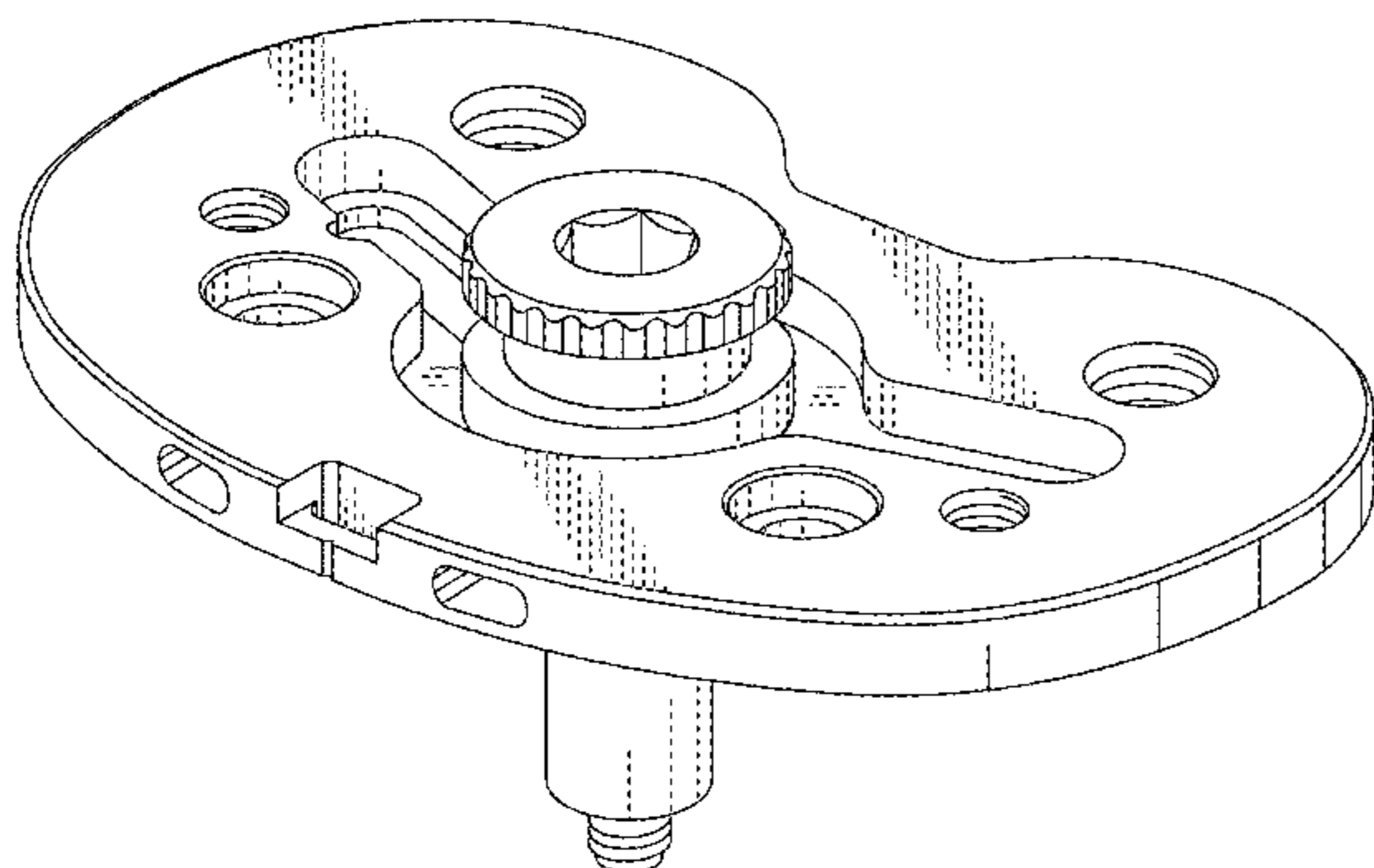
(57) **CLAIM**

We claim the ornamental design for a tibial trial component, as shown and described.

DESCRIPTION

FIG. 1 is a perspective view of a tibial trial component showing our new design in a first position;
FIG. 2 is a perspective view of the tibial trial component of FIG. 1 in a second position;
FIG. 3 is a front elevation view of FIG. 1;
FIG. 4 is a rear elevation view of FIG. 1;
FIG. 5 is a first side elevation view of FIG. 1, the second side being a mirror image thereof;
FIG. 6 is a top plan view of FIG. 1; and,
FIG. 7 is a bottom plan view of FIG. 1.

1 Claim, 7 Drawing Sheets



(56)

References Cited

U.S. PATENT DOCUMENTS

2004/0049286 A1* 3/2004 German et al. 623/20.33
 2005/0209702 A1* 9/2005 Todd et al. 623/20.33
 2006/0064108 A1* 3/2006 Blaylock et al. 606/102
 2006/0184176 A1* 8/2006 Straszheim-Morley
 et al. 606/88
 2007/0233137 A1* 10/2007 Seo et al. 606/87
 2009/0125114 A1 5/2009 May et al.
 2012/0109325 A1* 5/2012 Wagner et al. 623/20.28
 2012/0158152 A1* 6/2012 Claypool et al. 623/20.33
 2013/0006252 A1* 1/2013 Waite et al. 606/88
 2013/0226304 A1* 8/2013 Jerry 623/20.32
 2013/0325014 A1 12/2013 Sordelet et al.
 2013/0325016 A1 12/2013 Sordelet et al.
 2013/0325018 A1 12/2013 Thomas et al.
 2013/0325019 A1 12/2013 Thomas et al.
 2013/0325021 A1 12/2013 Sordelet et al.
 2013/0325136 A1 12/2013 Thomas et al.
 2014/0276857 A1* 9/2014 Major 606/88
 2014/0276858 A1* 9/2014 Major et al. 606/88
 2014/0277546 A1* 9/2014 Major et al. 623/20.33

OTHER PUBLICATIONS

Smith & Nephew, Legion, Revision Knee System, Surgical Technique, 2005, 40 pages.
 Biomet, Vanguard SSK, Revision System, Surgical Technique, Feb. 2008, 64 pages.
 GMK Revision, Surgical Technique, Ref. 99.27.12US rev. 1, 1999, 74 pages.
 PFC Sigma Rp-F, Specialist 2 Instruments, Surgical Technique, Performance in Flexion, 2007, 32 pages.
 P.F.C. Sigma Rotating Platform Knee System with M.B.T Tray, Primary Procedure with a Curved or Posterior Stabilised Implant, 2003, 43 pages.
 LCS High Performance Instruments, Surgical Technique, 2008, 44 pages.
 Sigma High Performance Instruments, Design Rationale, 2007, 12 pages.
 Sigma High Performance Instruments, Classic Surgical Technique, 2010, 52 pages.
 Attune Knee System Surgical Technique, 2013, 73 pages.

* cited by examiner

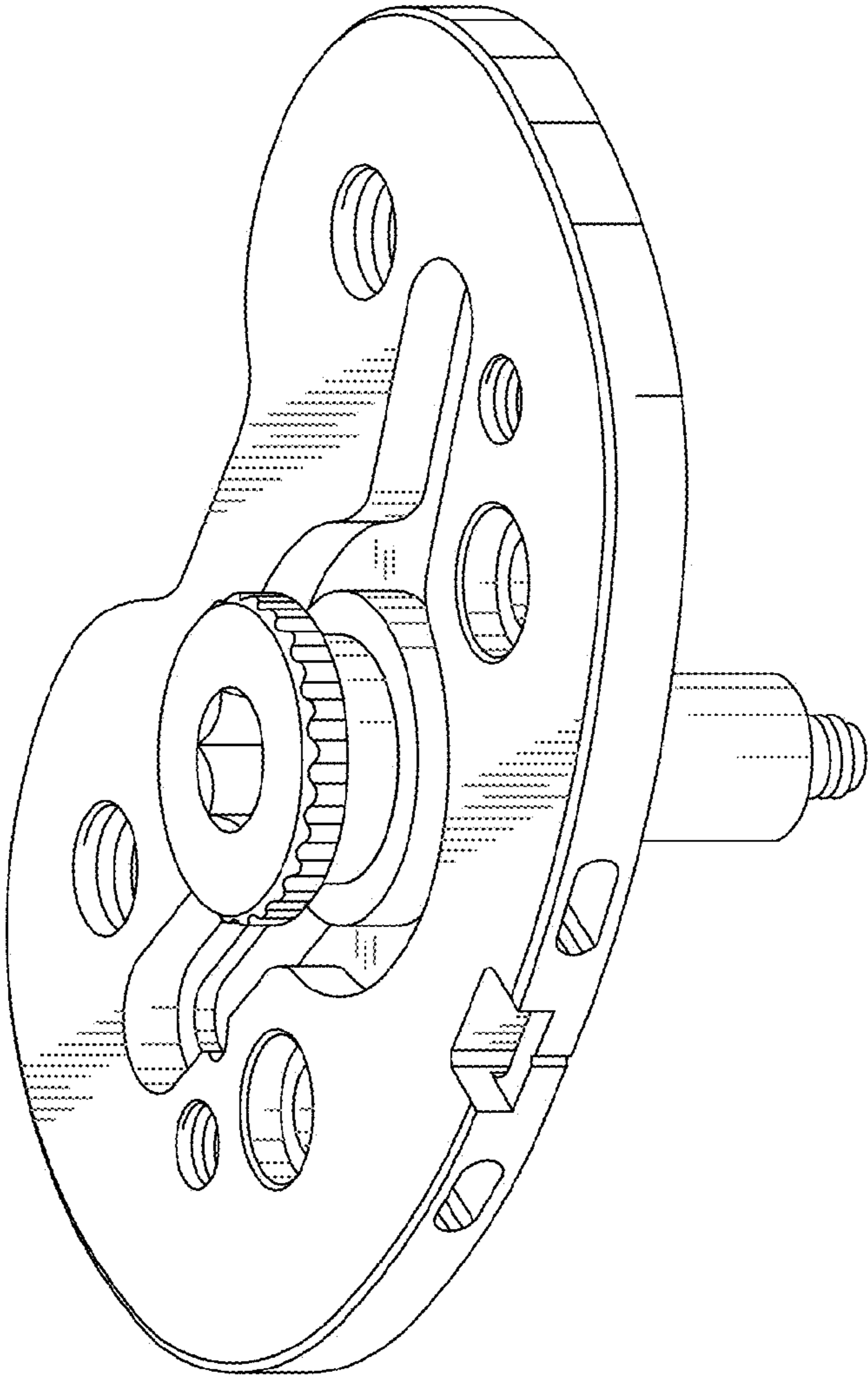


Fig. 1

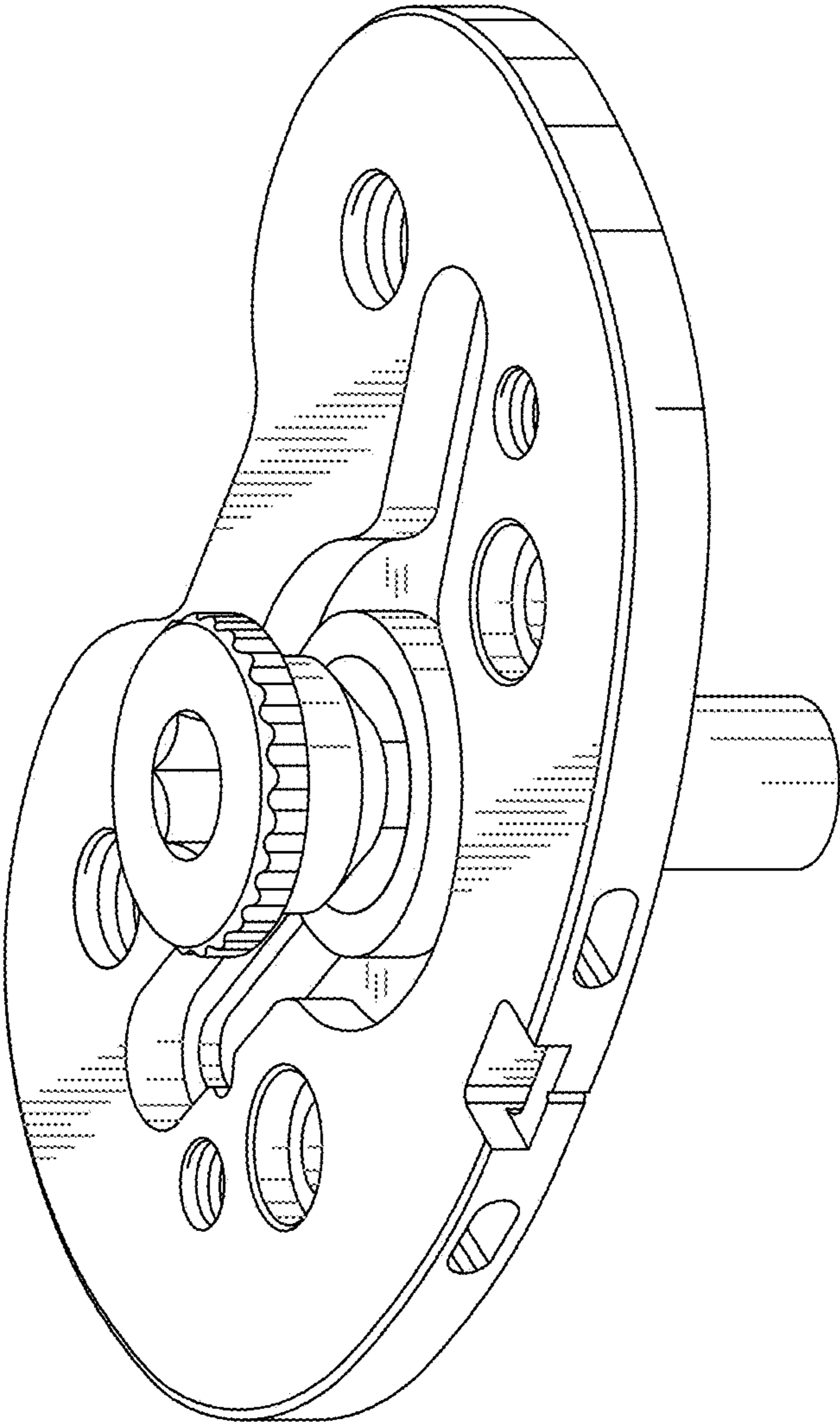


Fig. 2

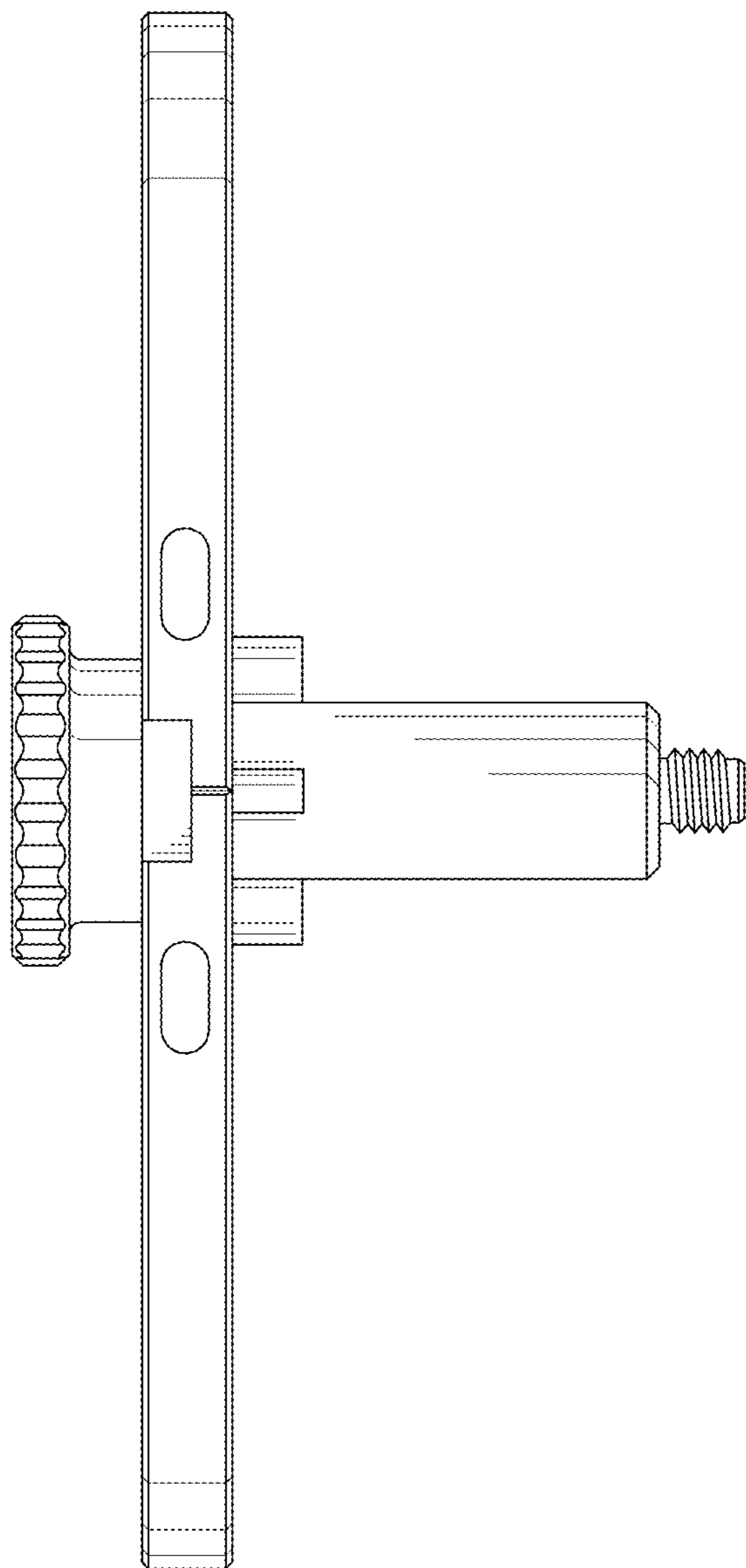


Fig. 3

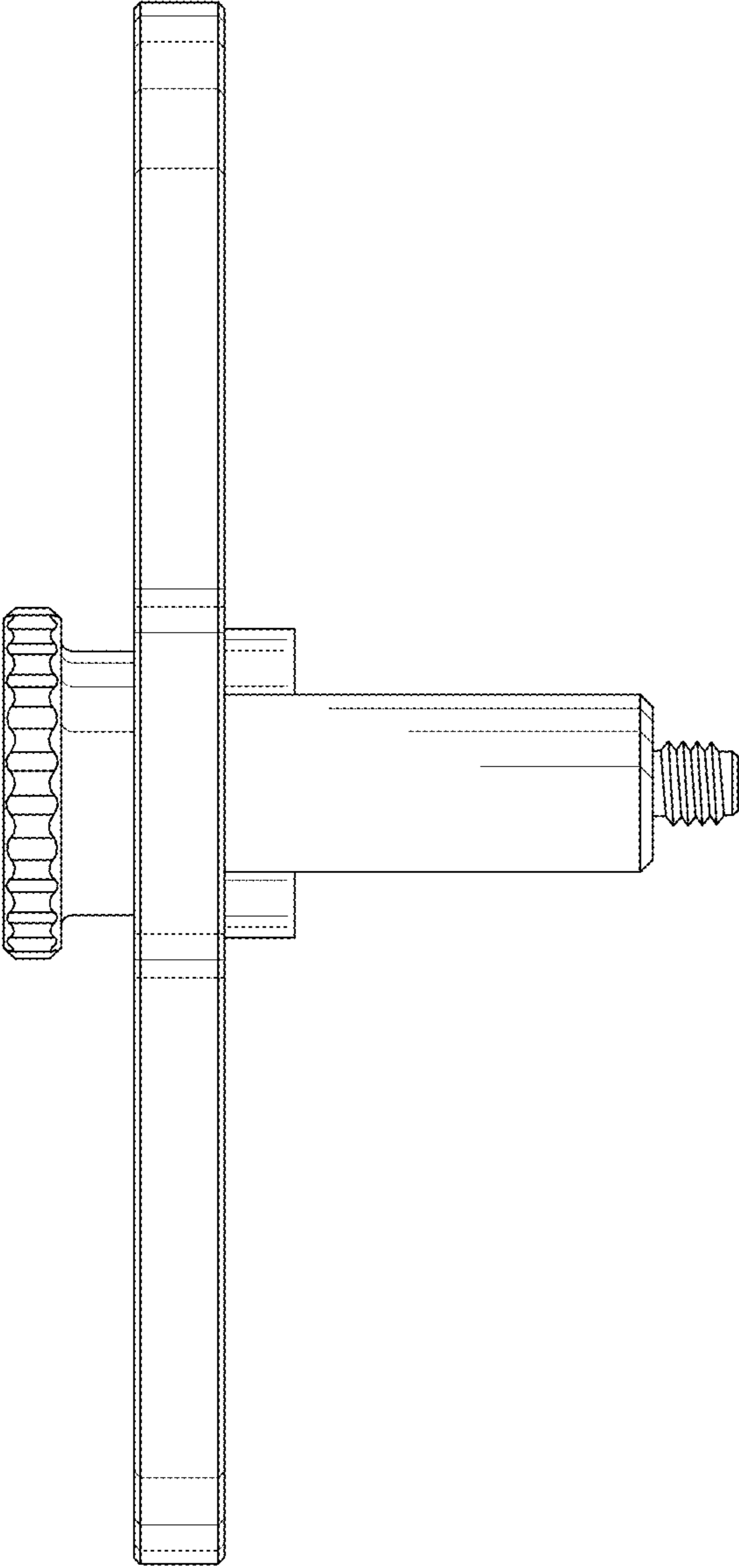


Fig. 4

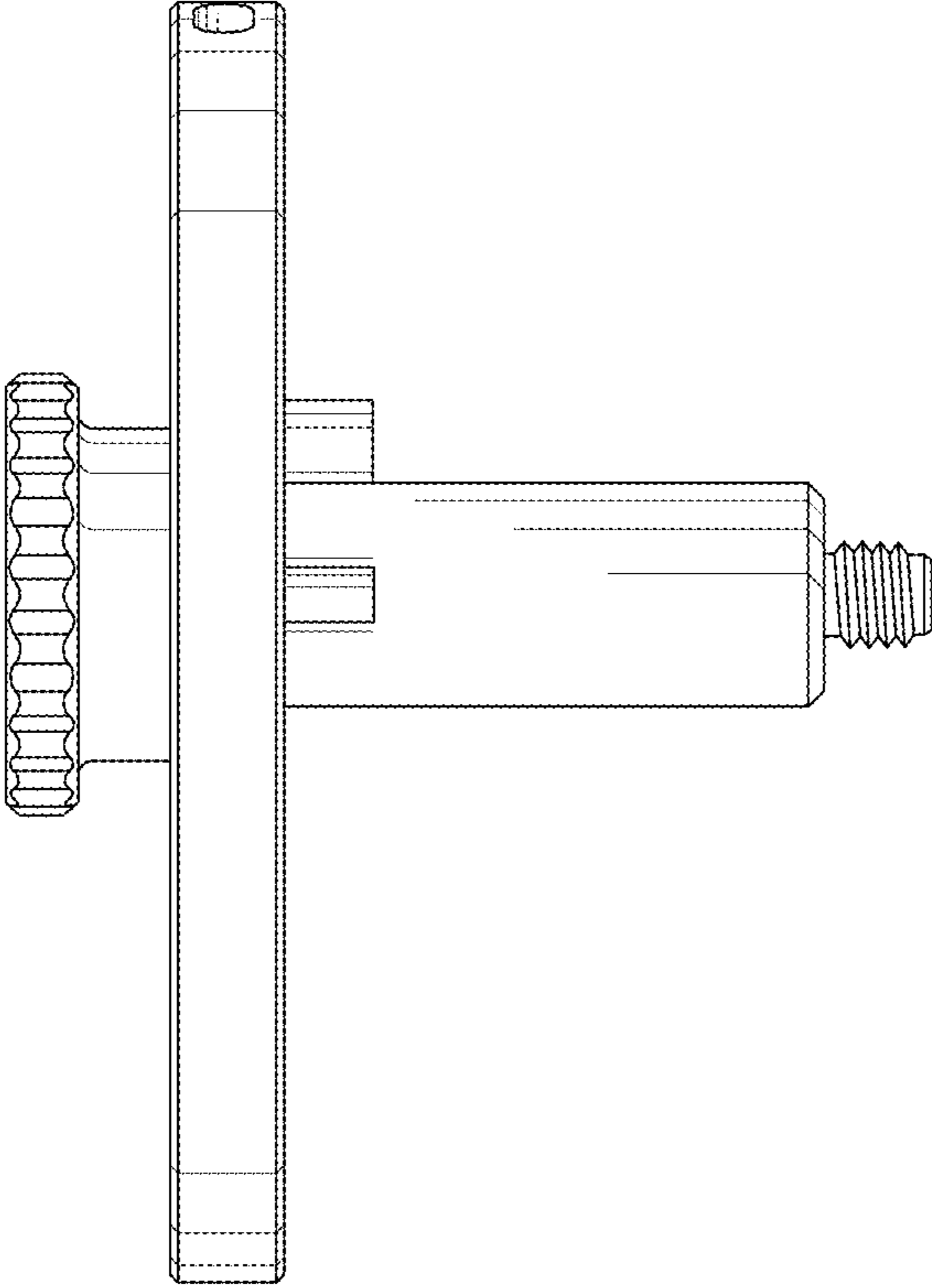


Fig. 5

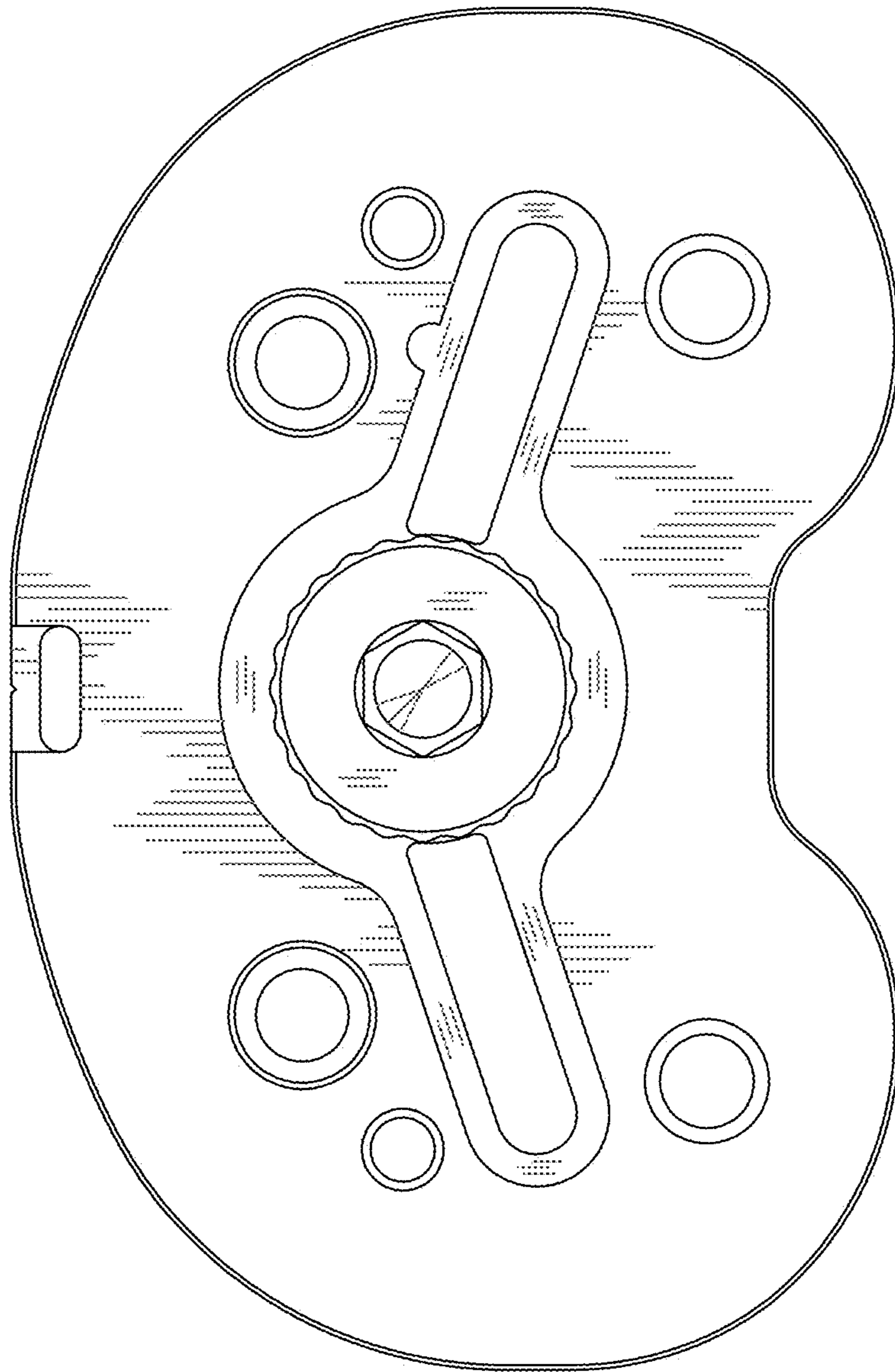


Fig. 6

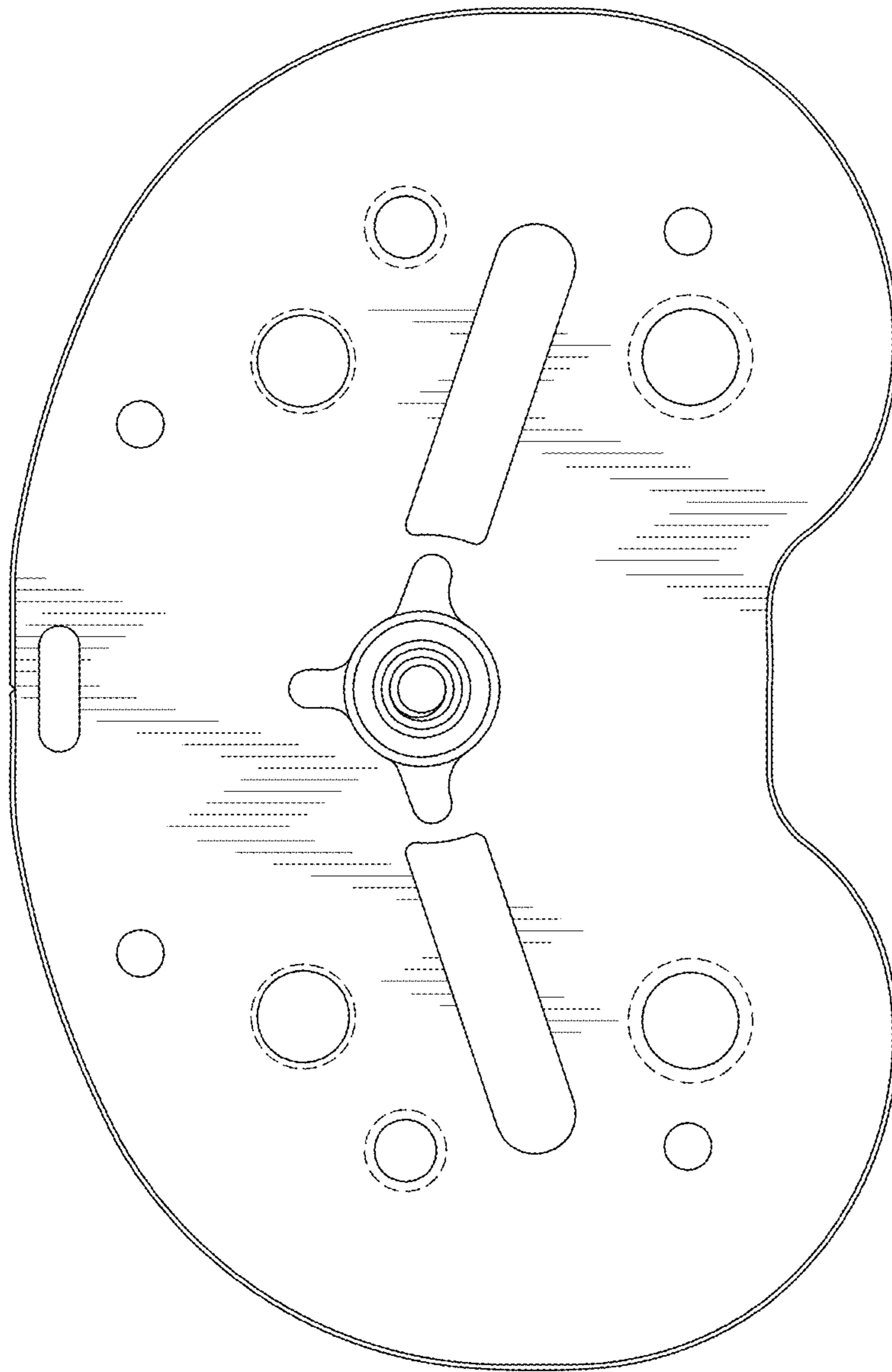


Fig. 7