



US00D748784S

(12) **United States Design Patent**  
**Weitkamp**

(10) **Patent No.:** **US D748,784 S**  
(45) **Date of Patent:** **\*\* Feb. 2, 2016**

(54) **MEDICAL INSTRUMENT GRIP**

2017/00451; A61B 2017/00455; A61F  
2002/4623; A61F 2002/4624; A61F  
2002/9517

(71) Applicant: **Sutter Medizintechnik GmbH,**  
Freiburg (DE)

See application file for complete search history.

(72) Inventor: **Dirk Weitkamp,** Waldkirch (DE)

(56) **References Cited**

(73) Assignee: **Sutter Medizintechnik GmbH,**  
Freiburg (DE)

U.S. PATENT DOCUMENTS

(\*\*) Term: **14 Years**

4,461,297 A	7/1984	Sutter
4,693,246 A	9/1987	Reimels
4,955,887 A	9/1990	Zirm
5,007,913 A	4/1991	Dulebohn et al.
5,100,410 A	3/1992	Dulebohn et al.
5,116,333 A	5/1992	Beane
5,167,618 A	12/1992	Kershner
D341,886 S	11/1993	Stolte

(21) Appl. No.: **29/508,577**

(22) Filed: **Nov. 7, 2014**

(Continued)

**Related U.S. Application Data**

OTHER PUBLICATIONS

(62) Division of application No. 29/437,193, filed on Nov.  
14, 2012, now Pat. No. Des. 719,654.

Medical Interconnect Custom Connectors, [online], [retrieved on Jul.  
30, 2014]. Retrieved from Internet, <URL: <http://www.deringerney.com>>.

(30) **Foreign Application Priority Data**

(Continued)

Jul. 20, 2012 (WO) ..... 681871801

(51) **LOC (10) Cl.** ..... **24-02**

*Primary Examiner* — Bridget L Eland

(52) **U.S. Cl.**  
USPC ..... **D24/133; D24/143**

(74) *Attorney, Agent, or Firm* — Volpe and Koenig, P.C.

(58) **Field of Classification Search**  
USPC ..... D24/133, 137, 138, 143, 144, 145, 146,  
D24/147, 148, 149, 150, 157

(57) **CLAIM**

The ornamental design for an medical instrument grip, as  
shown and described.

CPC ..... A61B 1/00066; A61B 1/0052; A61B  
2017/0046; A61B 2017/00858; A61B  
17/2841; A61B 2017/2845; A61B 17/2909;  
A61B 2017/291; A61B 2017/2911; A61B  
2017/2912; A61B 2017/2913; A61B  
2017/2915; A61B 2017/2916; A61B  
2017/2917; A61B 2017/2918; A61B  
2017/2919; A61B 2017/292; A61B  
2017/2922; A61B 2017/2923; A61B  
2017/2924; A61B 2017/2925; A61B  
2017/305; A61B 2017/0042; A61B  
2017/00424; A61B 2017/00429; A61B  
2017/00433; A61B 2017/00438; A61B  
2017/00442; A61B 2017/00446; A61B

**DESCRIPTION**

FIG. 1 is a top, front, left perspective view of a medical  
instrument grip in accordance with my design, shown in an  
environment;

FIG. 2 is a left side elevational view thereof;

FIG. 3 is a right side elevational view thereof;

FIG. 4 is a front elevational view thereof;

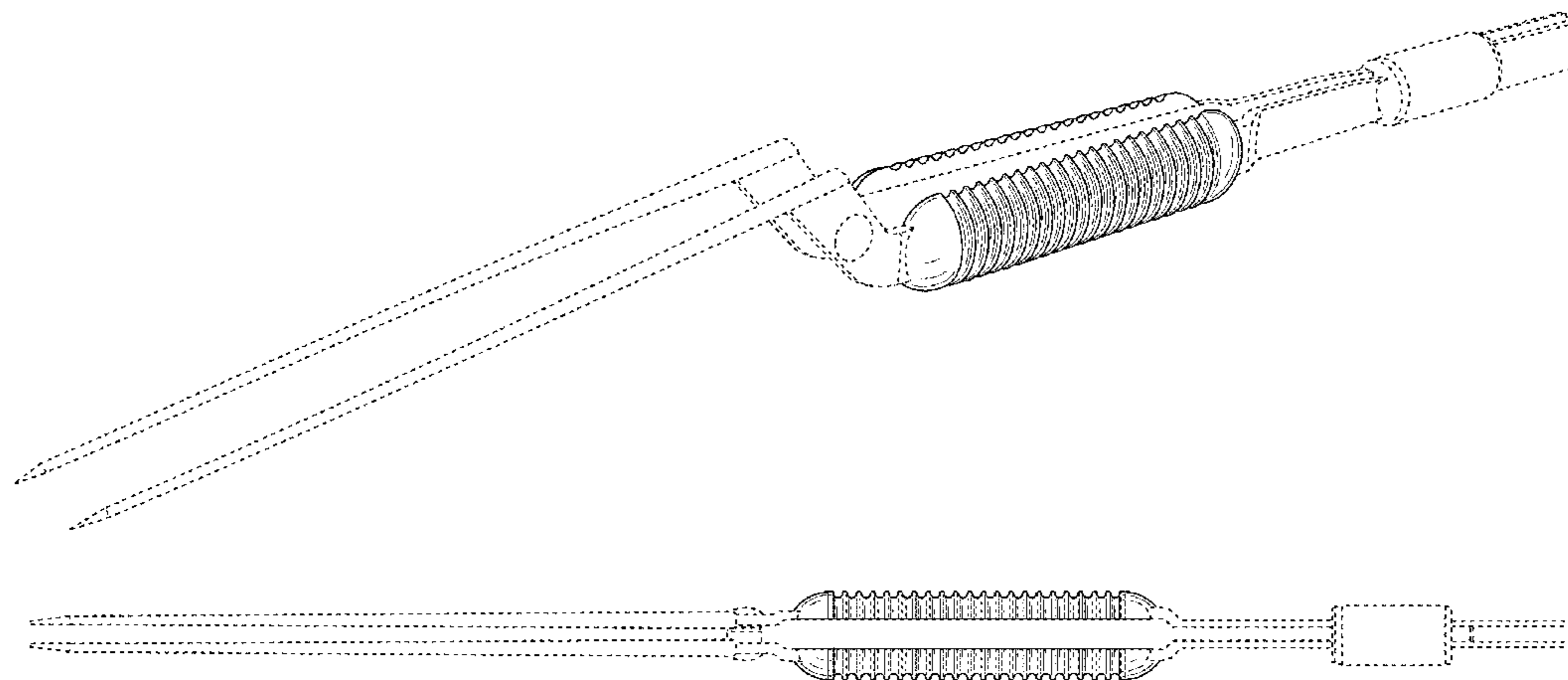
FIG. 5 is a rear elevational view thereof;

FIG. 6 is a top plan view thereof; and,

FIG. 7 is a bottom plan view thereof.

The broken lines shown form no part of the claimed design.

**1 Claim, 6 Drawing Sheets**



(56)

References Cited

U.S. PATENT DOCUMENTS

D351,653 S 10/1994 Koros et al.  
 D355,455 S 2/1995 Stolte  
 D394,109 S 5/1998 Miller et al.  
 6,228,084 B1 5/2001 Kirwan, Jr.  
 6,298,550 B1 10/2001 Kirwan, Jr.  
 D460,185 S 7/2002 Etter et al.  
 D484,597 S 12/2003 Koros et al.  
 D504,176 S 4/2005 Vijfvinkel  
 D539,426 S 3/2007 Callaghan  
 D559,984 S 1/2008 Scheller  
 D560,278 S 1/2008 Malis  
 D583,472 S 12/2008 Koh  
 D598,094 S 8/2009 Alber  
 D605,288 S 12/2009 Brostoff et al.  
 D614,299 S 4/2010 Koh et al.  
 D617,899 S 6/2010 Koh et al.  
 D621,035 S 8/2010 Koh et al.  
 D631,156 S 1/2011 Halder et al.  
 D704,336 S \* 5/2014 Chon et al. .... D24/144  
 D716,943 S \* 11/2014 Bender et al. .... D24/143  
 D718,441 S \* 11/2014 Carus et al. .... D24/133  
 D719,654 S \* 12/2014 Weitkamp ..... D24/143  
 D724,208 S \* 3/2015 Miller et al. .... D24/137

D724,211 S \* 3/2015 Peschke ..... D24/152  
 D737,443 S \* 8/2015 Ciravolo et al. .... D24/147  
 2006/0020288 A1\* 1/2006 Leonard ..... 606/205

OTHER PUBLICATIONS

Tekna Seal Two Pin Feedthrough, [online], [retrieved on Jul. 30, 2014]. Retrieved from Internet, <URL: <http://www.teknaseal.com>>.  
 GT01 Glass to metal seal, [online], [retrieved on Jul. 30, 2014]. Retrieved from Internet, <URL: <http://www.tradekorea.com>>.  
 Waldom/Molex Male 2 pin, [online], [retrieved on Jul. 30, 2014]. Retrieved from Internet, <URL: <http://www.electronicssurplus.com>>.  
 Sea Con RMG-2-MP, [online], [retrieved on Jul. 30, 2014]. Retrieved from Internet, <URL: <http://www.amronintl.com>>.  
 European standard ac power plug, [online], [retrieved on Jul. 30, 2014]. Retrieved from Internet, <URL: <http://alibaba.com>>.  
 Juniper Networks AC Plug Types, [online], [retrieved on Jul. 30, 2014]. Retrieved from Internet, <URL: <http://www.juniper.net>>.  
 Plugs and Receptacles Configuration Chart, [online], [retrieved on Jul. 30, 2014], Retrieved from Internet, <URL: <http://www.mykvm.com>>.  
 Plugs and Receptacles, [online], [retrieved on Jul. 30, 2014]. Retrieved from Internet, <URL: <http://www.disasterrecoverycenter.files.wordpress.com>>.

\* cited by examiner

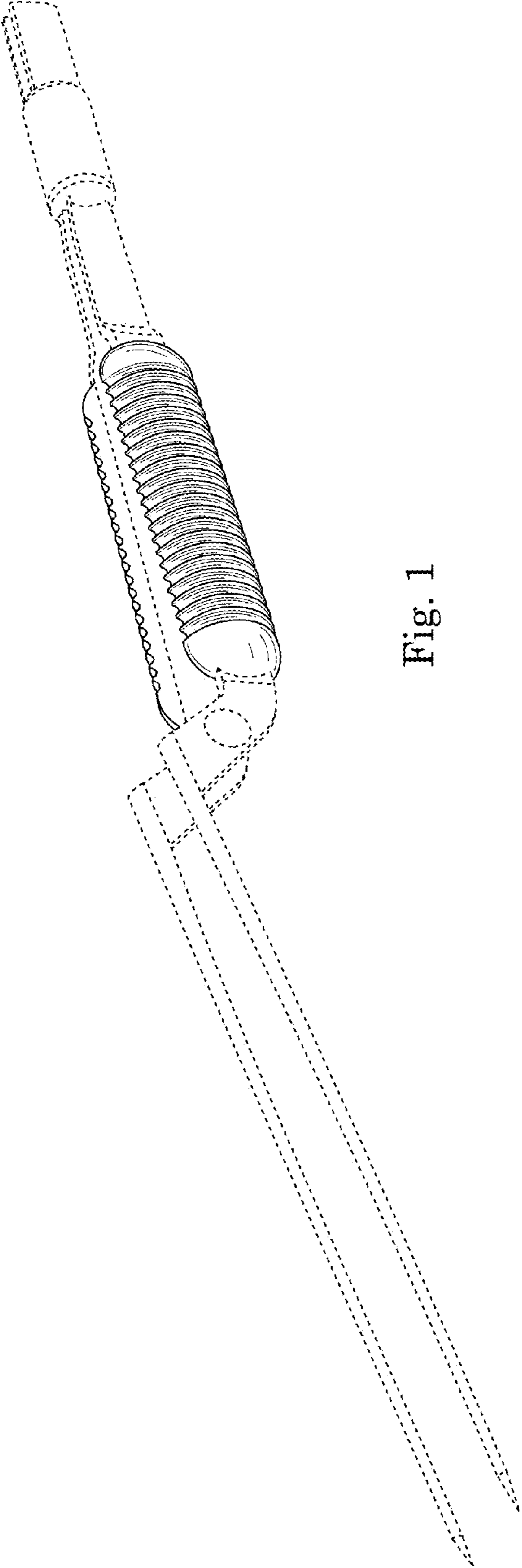


Fig. 1

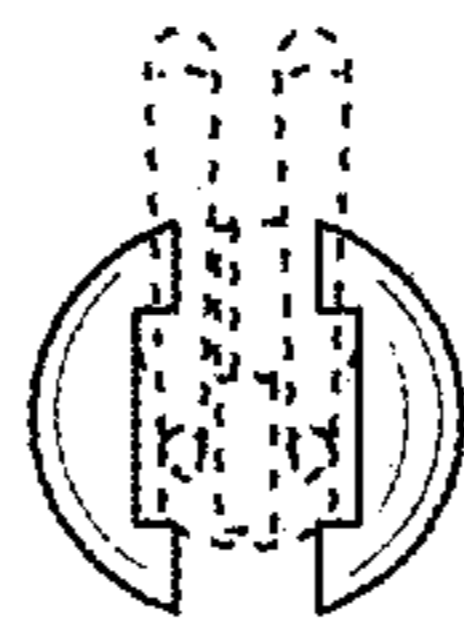


Fig. 2

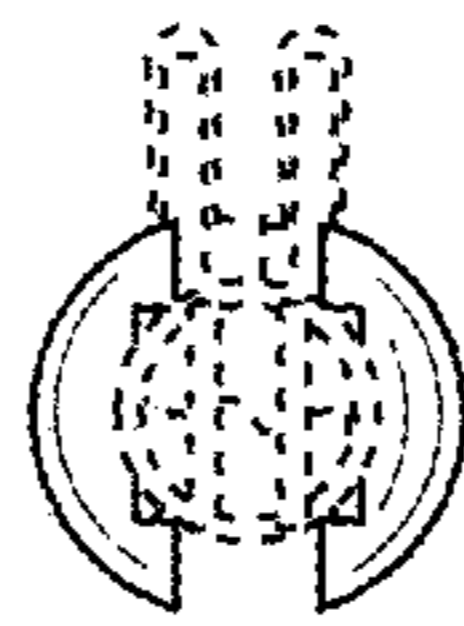


Fig. 3

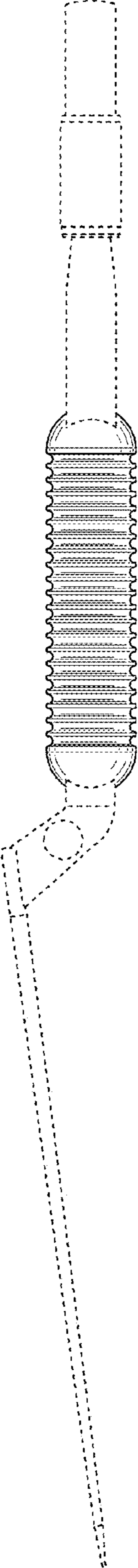


Fig. 4

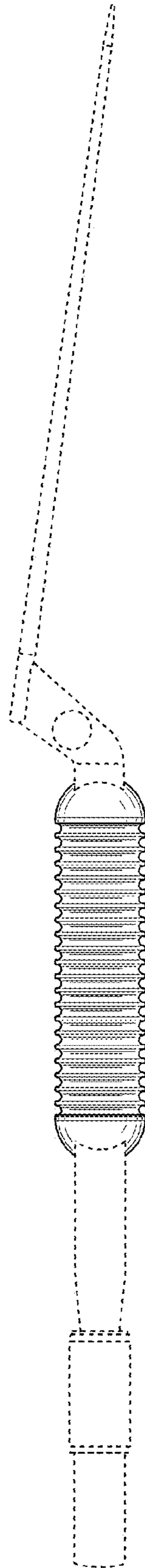


Fig. 5

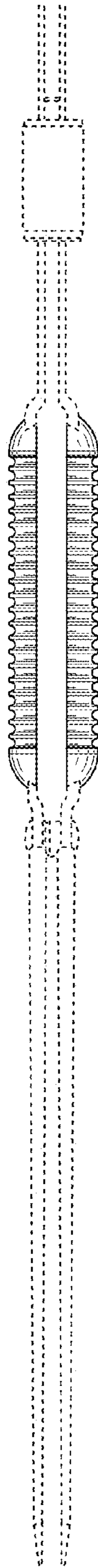


Fig. 6

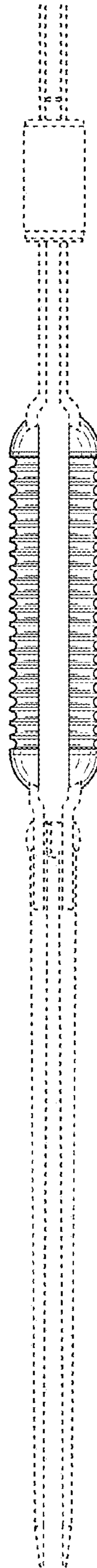


Fig. 7