



US00D748783S

(12) **United States Design Patent**  
**Zhang et al.**

(10) **Patent No.:** **US D748,783 S**

(45) **Date of Patent:** **\*\* \*Feb. 2, 2016**

(54) **DISPENSING APPLICATOR**

(71) Applicant: **Adhezion Biomedical, LLC,**  
Wyomissing, PA (US)

(72) Inventors: **Sheng Zhang,** Hickory, NC (US);  
**Rafael Ruiz, Sr.,** Hudson, NC (US);  
**Melissa Brent Hill,** Granite Falls, NC  
(US)

(73) Assignee: **Adhezion Biomedical, LLC,**  
Wyomissing, PA (US)

(\*) Notice: This patent is subject to a terminal disclaimer.

(\*\*) Term: **14 Years**

(21) Appl. No.: **29/484,680**

(22) Filed: **Mar. 12, 2014**

(51) **LOC (10) Cl.** ..... **24-02**

(52) **U.S. Cl.**  
USPC ..... **D24/133**

(58) **Field of Classification Search**  
USPC ..... D24/112, 119, 144, 141, 188, 207;  
D28/7; D9/723-729; 606/13, 41, 93,  
606/112, 201; 604/47  
See application file for complete search history.

(56) **References Cited**

**U.S. PATENT DOCUMENTS**

D306,354 S \* 2/1990 Konose ..... D28/7  
D307,191 S \* 4/1990 Blutenthal ..... D28/7  
D364,923 S \* 12/1995 Chou ..... D24/144

D376,204 S \* 12/1996 Huculak et al. .... D24/146  
D441,447 S \* 5/2001 Hjertman et al. .... D24/150  
6,419,661 B1 \* 7/2002 Kuhr et al. .... 604/207  
D597,668 S \* 8/2009 Woodruff et al. .... D24/133  
D624,238 S \* 9/2010 Turner ..... D27/101  
D641,468 S \* 7/2011 Ruiz et al. .... D24/133  
D641,469 S \* 7/2011 Ruiz et al. .... D24/133  
D655,004 S \* 2/2012 Ruiz et al. .... D24/133  
D655,621 S \* 3/2012 Py et al. .... D9/724  
D663,836 S \* 7/2012 Ruiz et al. .... D24/133  
D664,251 S \* 7/2012 Ruiz et al. .... D24/133  
D669,981 S \* 10/2012 Ruiz et al. .... D24/133  
D669,982 S \* 10/2012 Ruiz et al. .... D24/133  
D686,366 S \* 7/2013 Ruiz et al. .... D28/7  
D686,367 S \* 7/2013 Ruiz et al. .... D28/7  
2012/0070220 A1 \* 3/2012 Ruiz et al. .... 401/134

\* cited by examiner

*Primary Examiner* — Ian Simmons

*Assistant Examiner* — Samantha Q Lawrence

(74) *Attorney, Agent, or Firm* — Stradley Ronon Stevens & Young, LLP

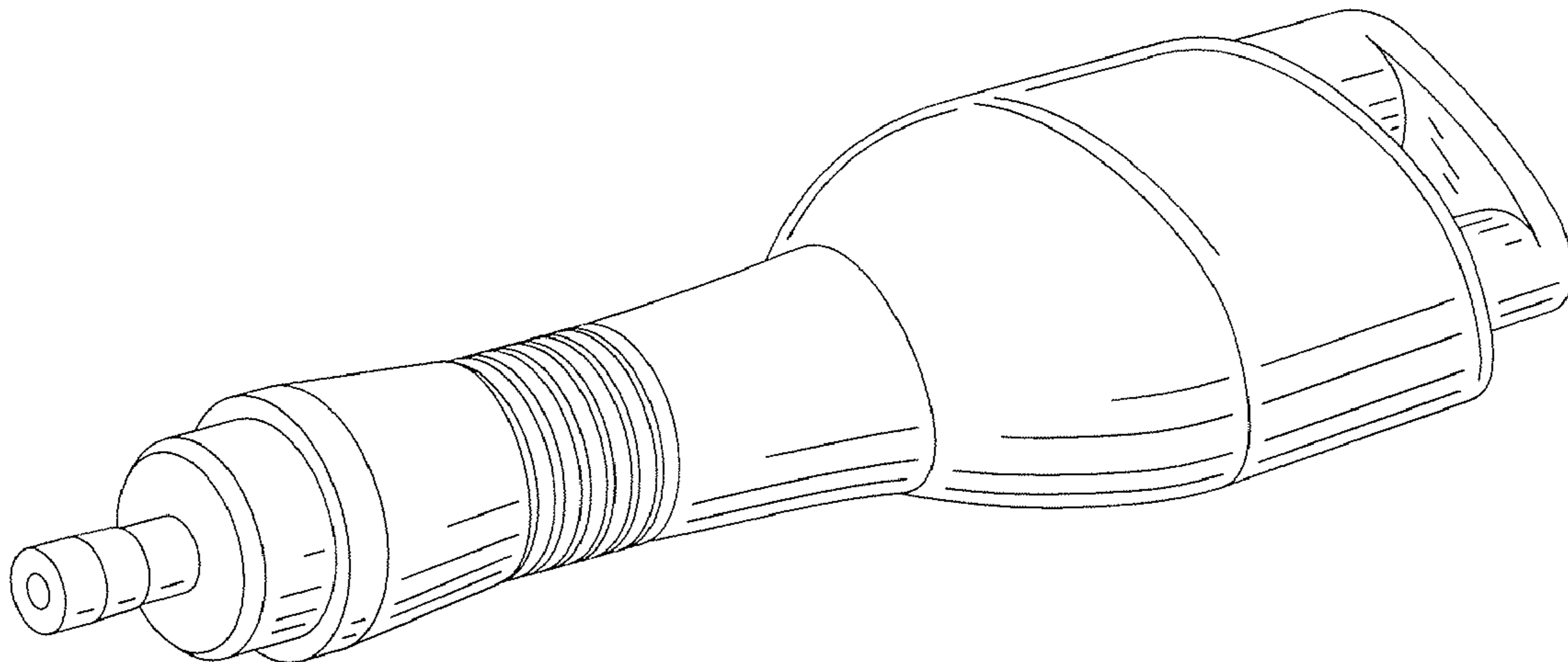
(57) **CLAIM**

The ornamental design for a dispensing applicator, as shown and described.

**DESCRIPTION**

FIG. 1 is a perspective view of a dispensing applicator; FIG. 2 is a front view of the dispensing applicator; FIG. 3 is a rear view of the dispensing applicator; FIG. 4 is a top view of the dispensing applicator; FIG. 5 is a side view of the dispensing applicator; and, FIG. 6 is an opposing side view of the dispensing applicator. The broken lines shown in FIG. 3 define the bounds of the claim and form no part thereof.

**1 Claim, 2 Drawing Sheets**



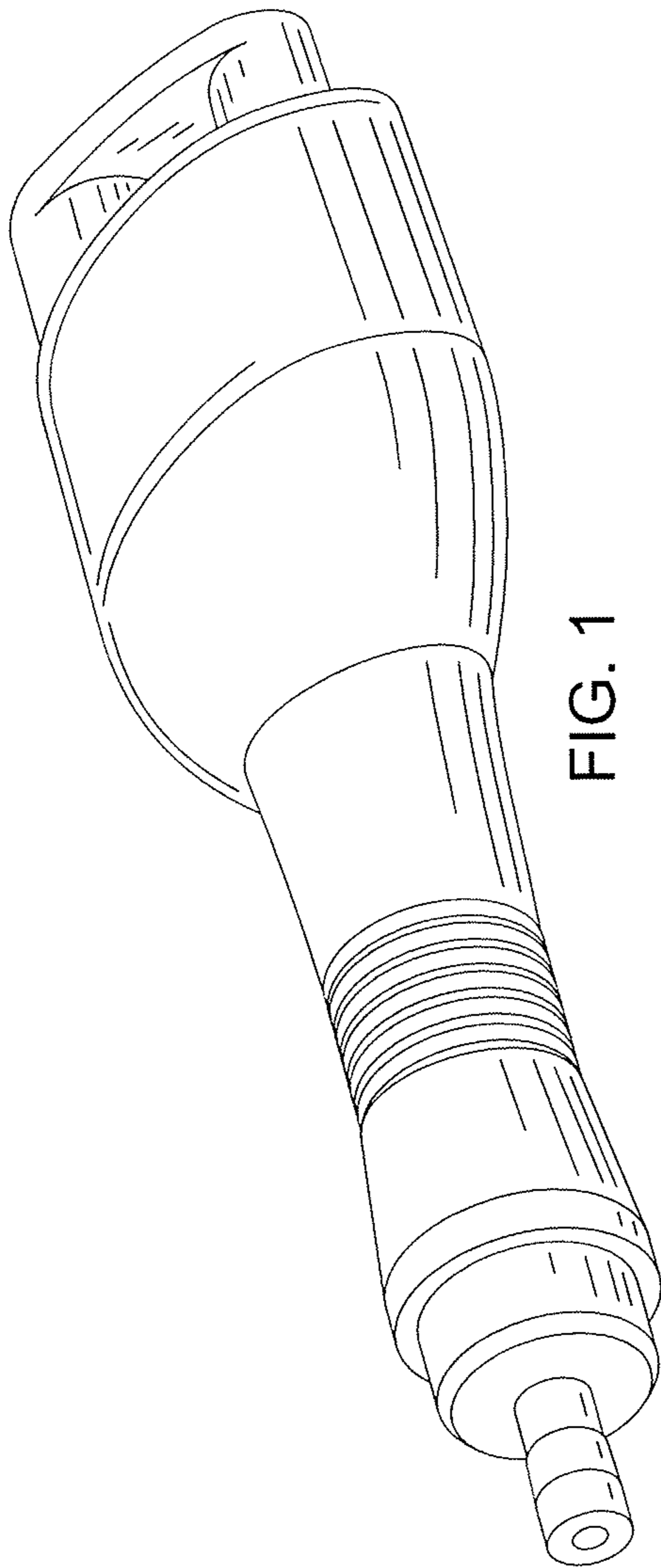


FIG. 1

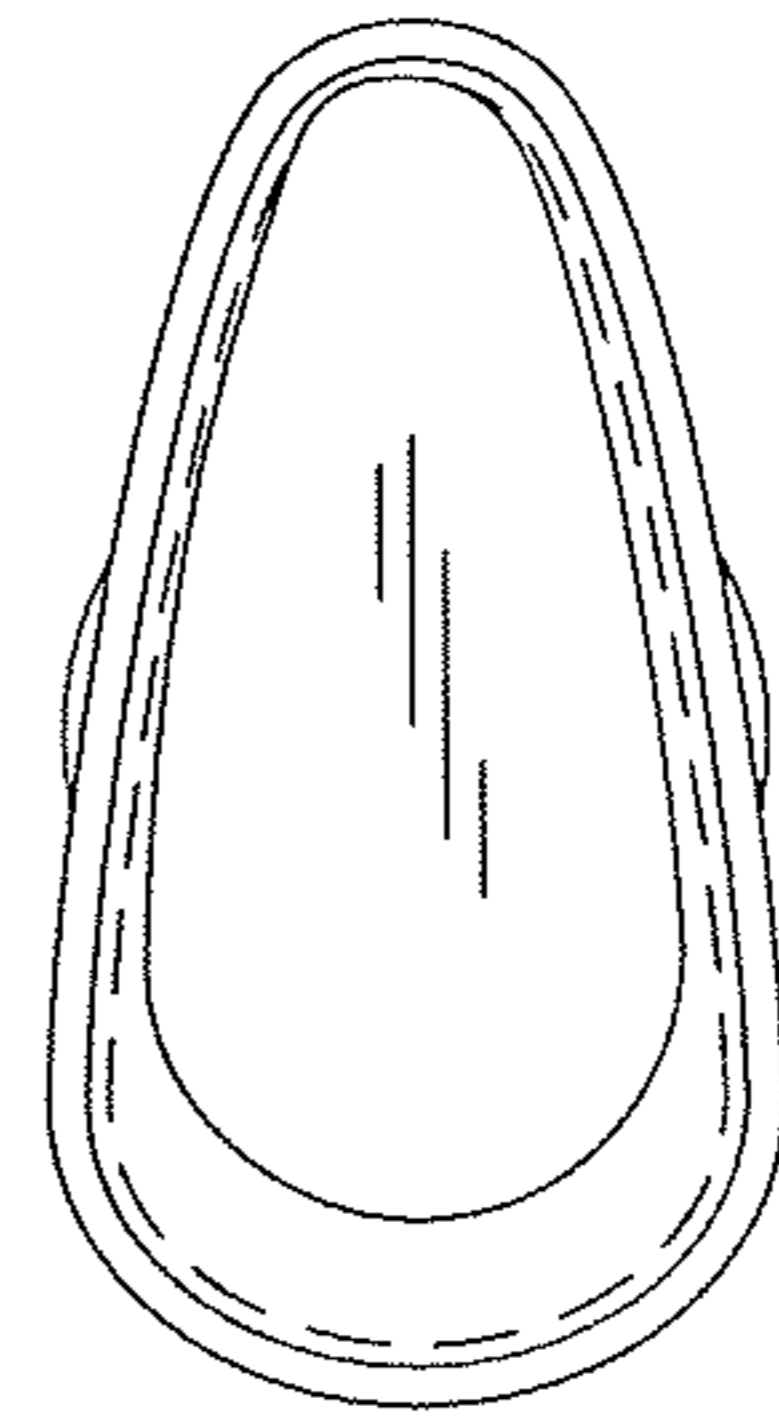


FIG. 3

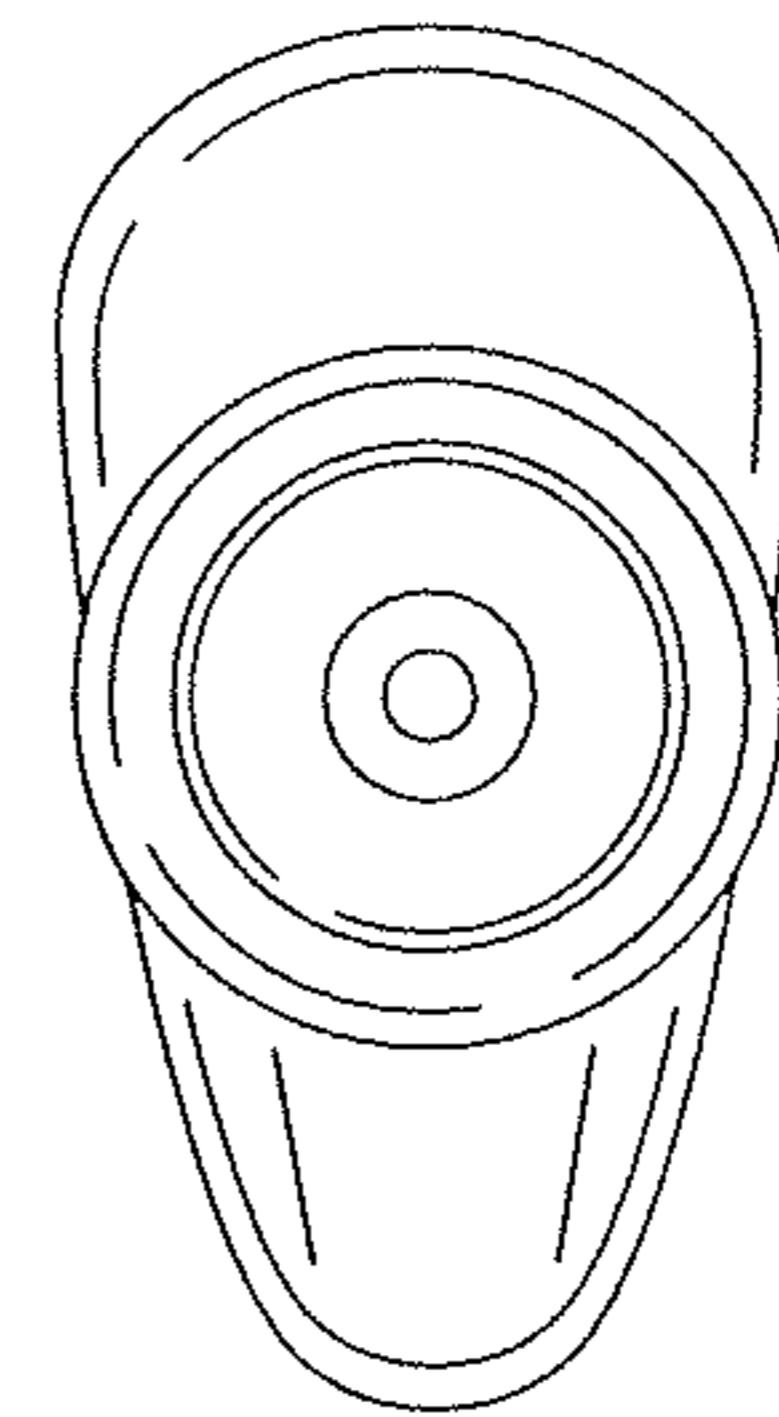


FIG. 2

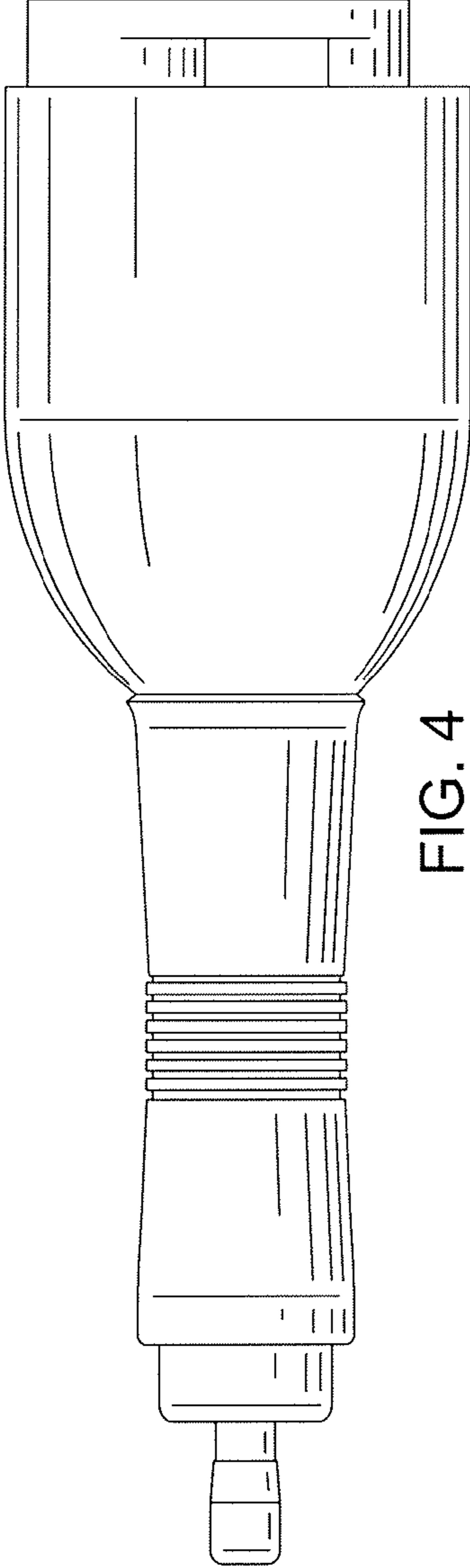


FIG. 4

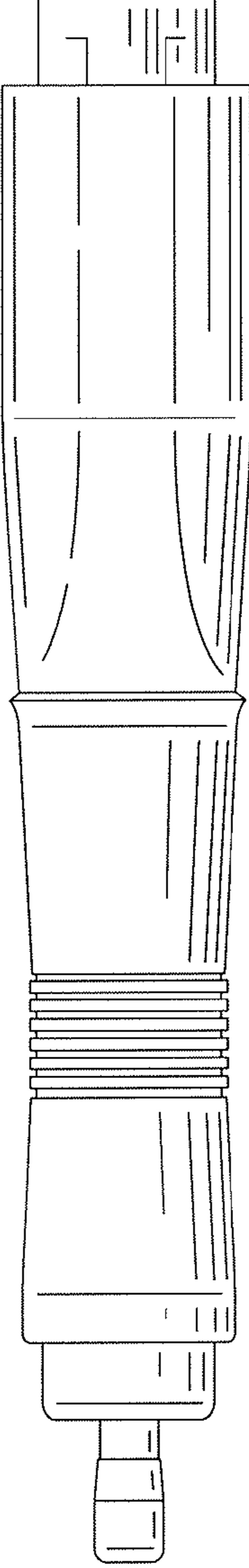


FIG. 5

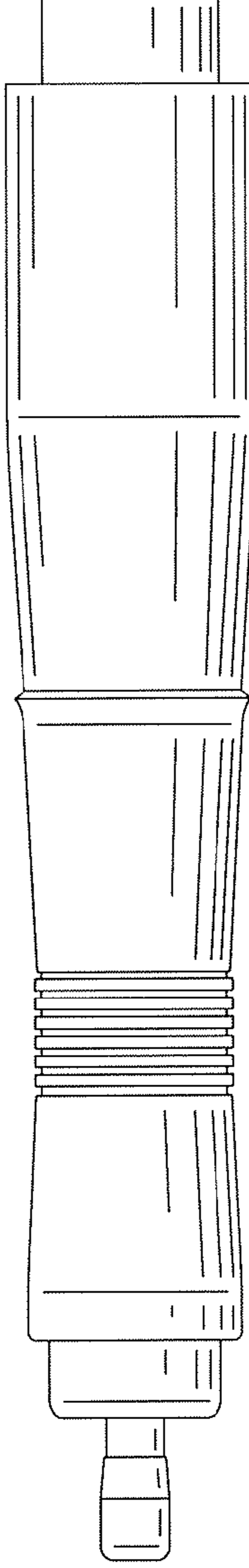


FIG. 6