



US00D748781S

(12) **United States Design Patent**
Zhang et al.

(10) **Patent No.:** **US D748,781 S**

(45) **Date of Patent:** **** *Feb. 2, 2016**

- (54) **DISPENSING APPLICATOR**
- (71) Applicant: **Adhezion Biomedical, LLC**,
Wyomissing, PA (US)
- (72) Inventors: **Sheng Zhang**, Hickory, NC (US);
Rafael Ruiz, Sr., Hudson, NC (US);
Melissa Brent Hill, Granite Falls, NC
(US)
- (73) Assignee: **Adhezion Biomedical, LLC**,
Wyomissing, PA (US)
- (*) Notice: This patent is subject to a terminal dis-
claimer.
- (**) Term: **14 Years**
- (21) Appl. No.: **29/484,678**
- (22) Filed: **Mar. 12, 2014**
- (51) **LOC (10) Cl.** **24-02**
- (52) **U.S. Cl.**
USPC **D24/133**
- (58) **Field of Classification Search**
USPC D24/112, 119, 144, 141, 188, 207;
D28/7; D9/723-729; 606/13, 41, 93,
606/112, 201; 604/47
See application file for complete search history.

(56) **References Cited**

U.S. PATENT DOCUMENTS

- D306,354 S * 2/1990 Konose D28/7
- D307,191 S * 4/1990 Blutenthal D28/7
- D364,923 S * 12/1995 Chou D24/144

- D376,204 S * 12/1996 Huculak et al. D24/146
- D441,447 S * 5/2001 Hjertman et al. D24/150
- 6,419,661 B1 * 7/2002 Kuhr et al. 604/207
- D597,668 S * 8/2009 Woodruff et al. D24/133
- D624,238 S * 9/2010 Turner D27/101
- D641,468 S * 7/2011 Ruiz et al. D24/133
- D641,469 S * 7/2011 Ruiz et al. D24/133
- D655,004 S * 2/2012 Ruiz et al. D24/133
- D655,621 S * 3/2012 Py et al. D9/724
- D663,836 S * 7/2012 Ruiz et al. D24/133
- D664,251 S * 7/2012 Ruiz et al. D24/133
- D669,981 S * 10/2012 Ruiz et al. D24/133
- D669,982 S * 10/2012 Ruiz et al. D24/133
- D686,366 S * 7/2013 Ruiz et al. D28/7
- D686,367 S * 7/2013 Ruiz et al. D28/7
- 2012/0070220 A1 * 3/2012 Ruiz et al. 401/134

* cited by examiner

Primary Examiner — Ian Simmons

Assistant Examiner — Samantha Q Lawrence

(74) *Attorney, Agent, or Firm* — Stradley Ronon Stevens &
Young, LLP

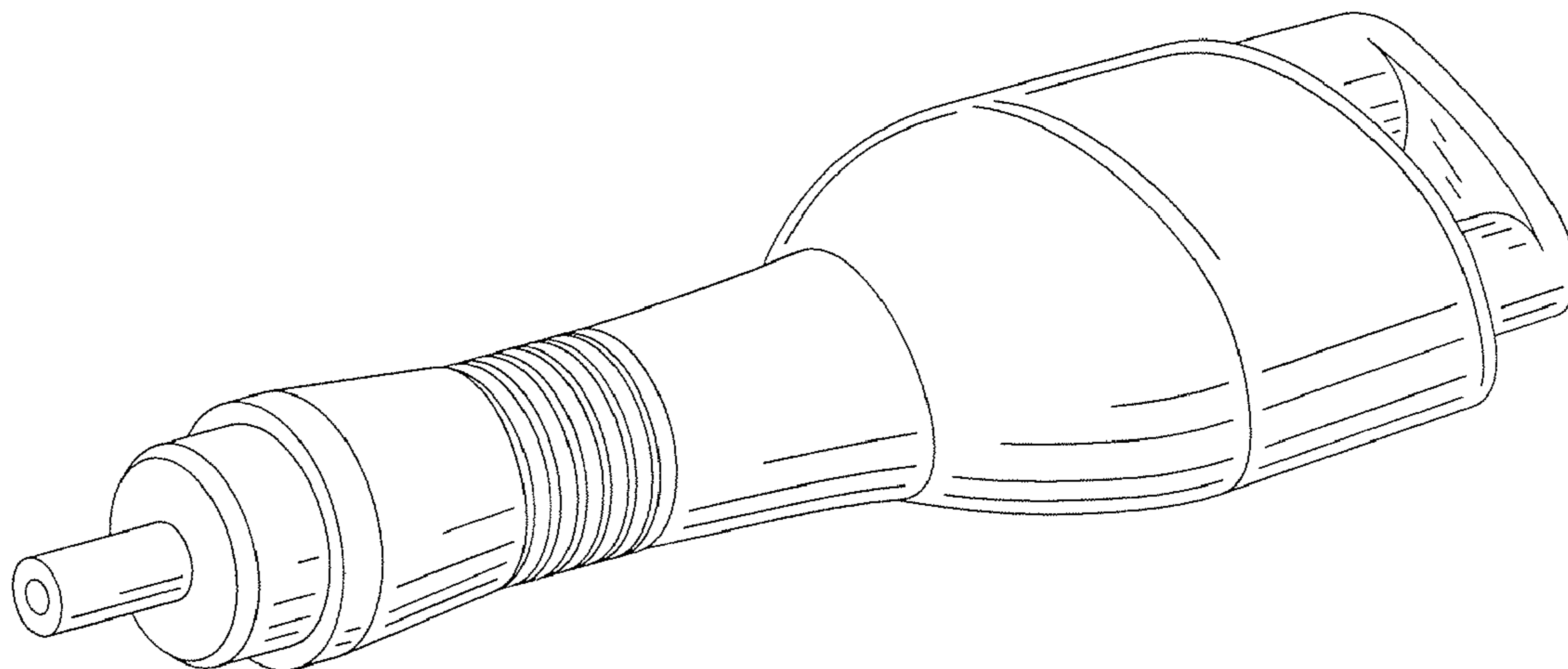
(57) **CLAIM**

The ornamental design for a dispensing applicator, as shown
and described.

DESCRIPTION

FIG. 1 is a perspective view of a dispensing applicator;
FIG. 2 is a front view of the dispensing applicator;
FIG. 3 is a rear view of the dispensing applicator;
FIG. 4 is a top view of the dispensing applicator;
FIG. 5 is a side view of the dispensing applicator; and,
FIG. 6 is an opposing side view of the dispensing applicator.
The broken lines shown in FIG. 3 define the bounds of the
claim and form no part thereof.

1 Claim, 2 Drawing Sheets



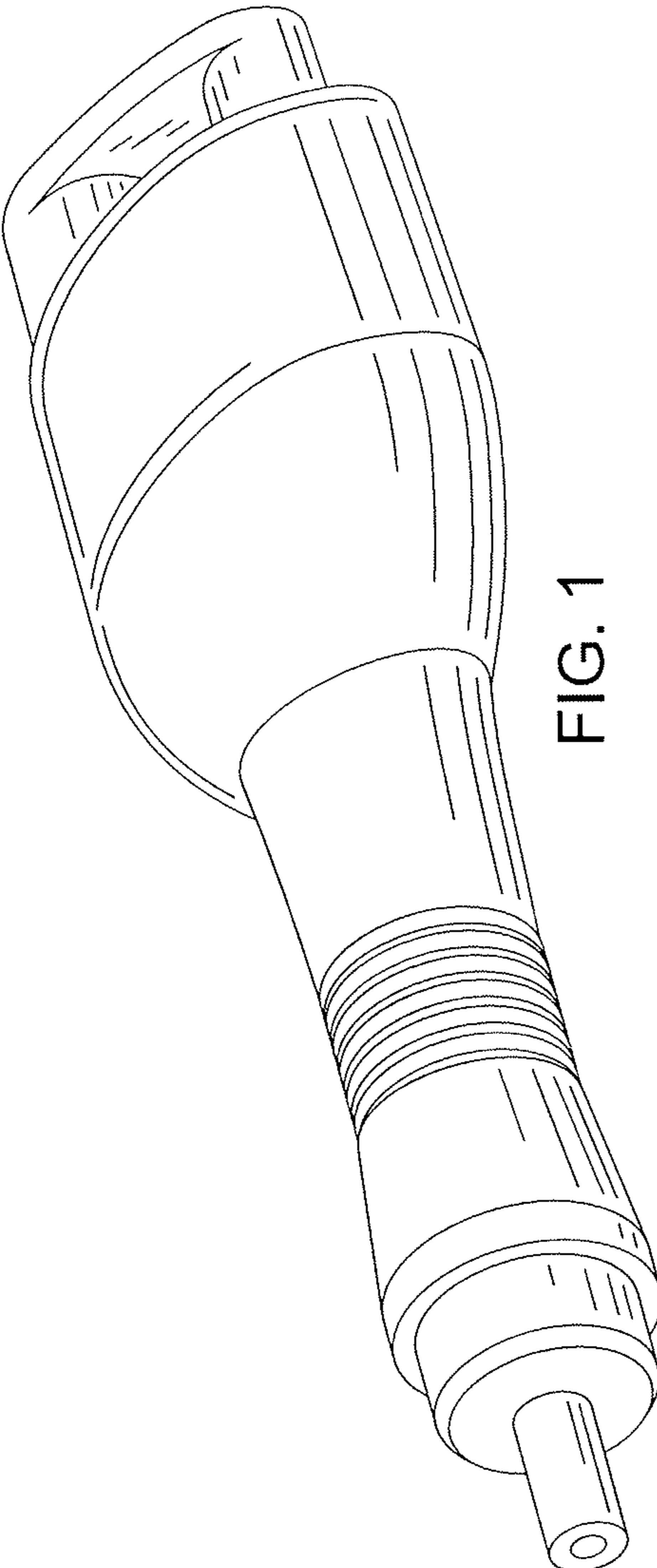


FIG. 1

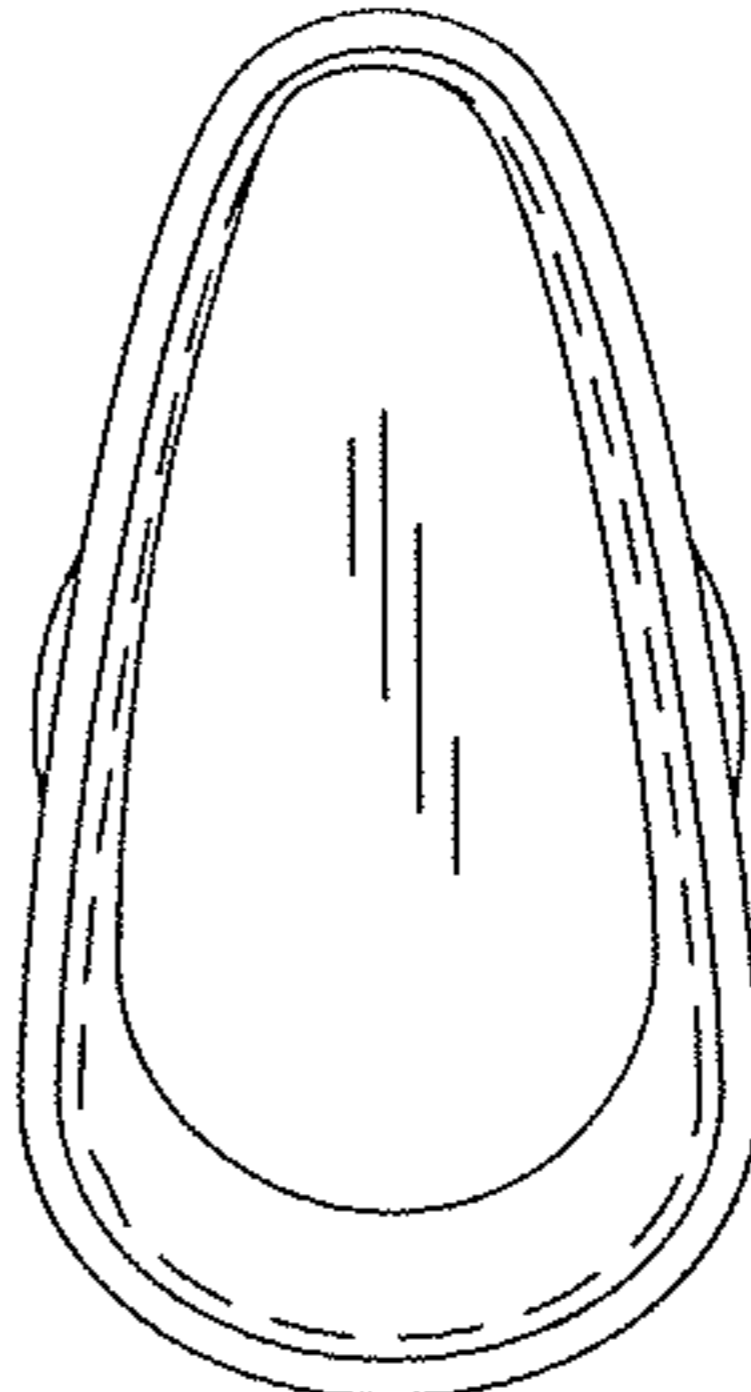


FIG. 3

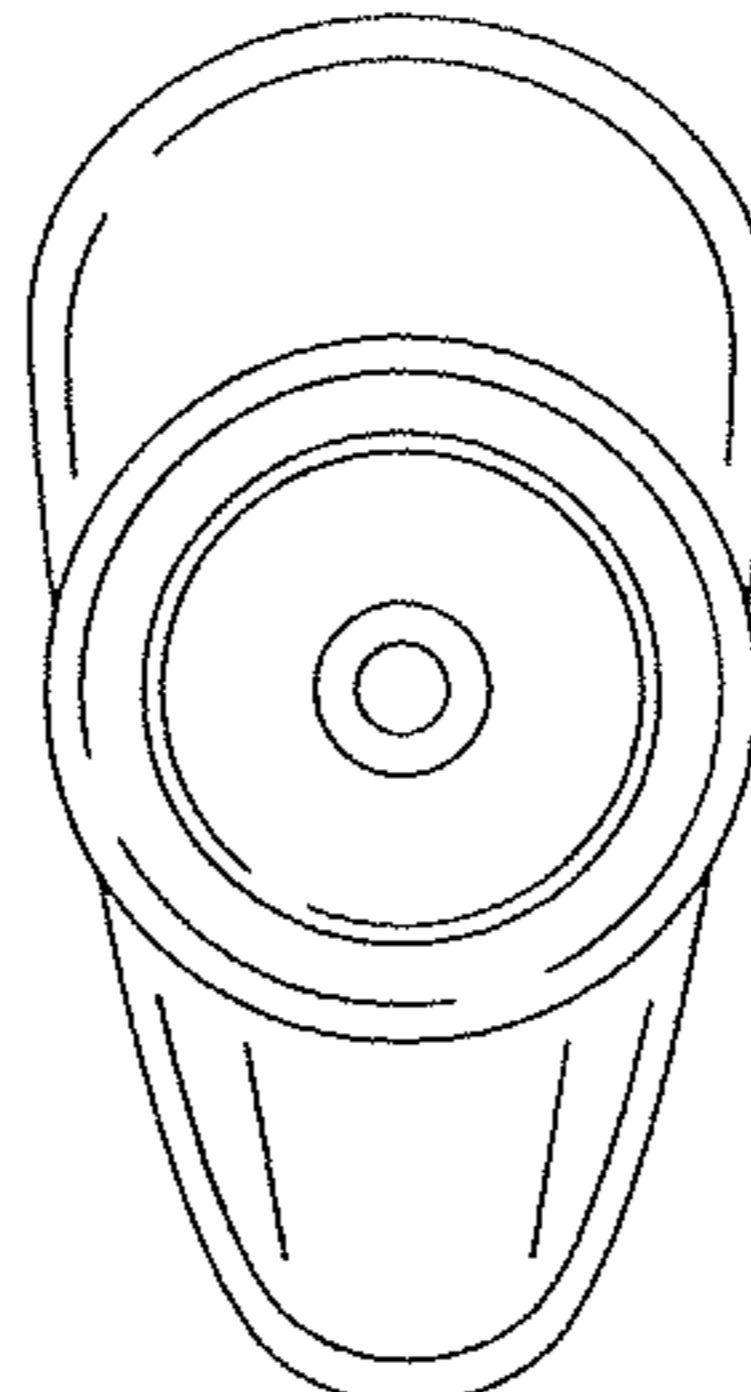


FIG. 2

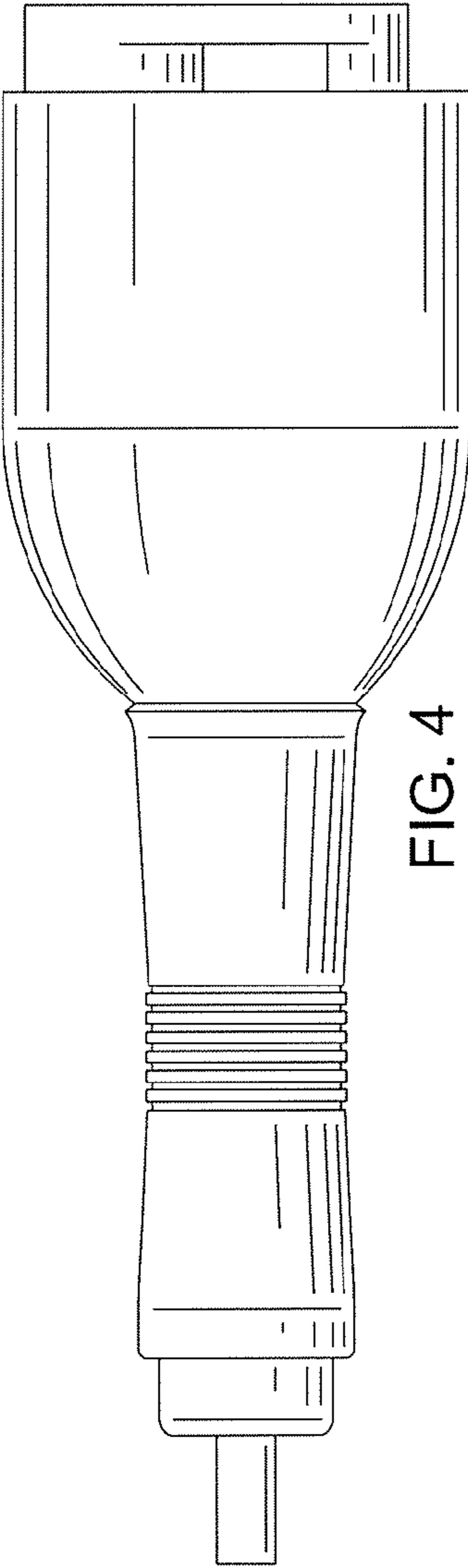


FIG. 4

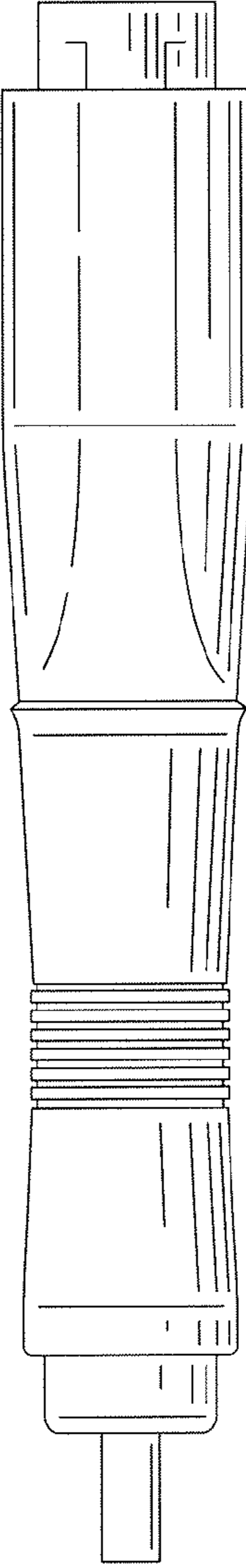


FIG. 5

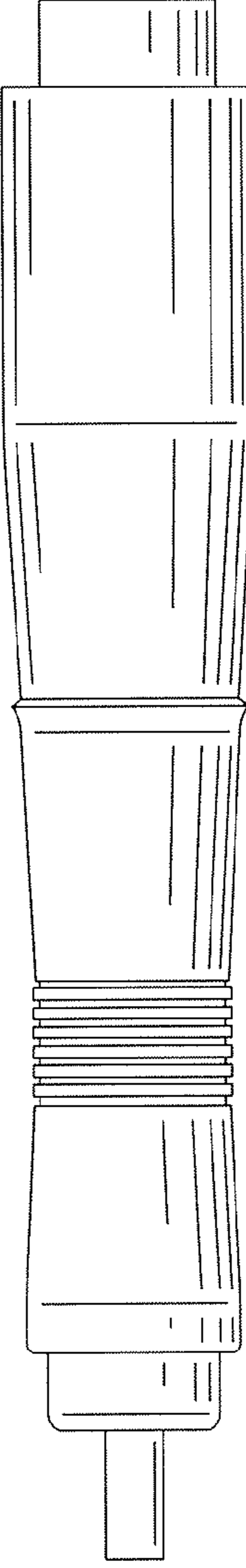


FIG. 6