



US00D748779S

(12) **United States Design Patent**  
**Bast et al.**

(10) **Patent No.:** **US D748,779 S**  
(45) **Date of Patent:** **\*\* Feb. 2, 2016**

(54) **DRIVING TOOL**  
(71) Applicants: **Robert J Bast**, Sheboygan Falls, WI  
(US); **Robert F. Miller**, Grafton, WI  
(US)  
(72) Inventors: **Robert J Bast**, Sheboygan Falls, WI  
(US); **Robert F. Miller**, Grafton, WI  
(US)  
(73) Assignee: **Gauthier Biomedical, Inc.**, Grafton, WI  
(US)  
(\*\*) Term: **14 Years**

D634,844 S 3/2011 Bast et al.  
D646,384 S \* 10/2011 Gauthier ..... D24/133  
D646,386 S \* 10/2011 Miller ..... D24/133  
D646,387 S \* 10/2011 Bast ..... D24/133  
D646,783 S 10/2011 Bast et al.  
D647,201 S \* 10/2011 Gauthier ..... D24/133  
D660,421 S \* 5/2012 Miller ..... D24/133  
2006/0278051 A1 \* 12/2006 Gauthier ..... B65B 23/1427  
81/473  
2008/0308600 A1 \* 12/2008 Kana ..... A61B 17/8875  
227/147  
2010/0179560 A1 7/2010 Chenux  
2010/0180732 A1 7/2010 Gauthier et al.  
2010/0204703 A1 8/2010 Gao  
2011/0112587 A1 5/2011 Patel et al.  
2012/0055296 A1 \* 3/2012 Landowski ..... A61B 17/8875  
81/474

(21) Appl. No.: **29/469,458**  
(22) Filed: **Oct. 10, 2013**  
(51) **LOC (10) Cl.** ..... **24-02**  
(52) **U.S. Cl.**  
USPC ..... **D24/133**

FOREIGN PATENT DOCUMENTS

JP D1151212 \* 8/2002

OTHER PUBLICATIONS

Surgical Instruments "Palm Handle", viewed Feb. 27, 2011, 2 pages,  
<http://www.teleflexmdicaloem.com>

\* cited by examiner

*Primary Examiner* — Bridget L Eland  
*Assistant Examiner* — Lauren McVey  
(74) *Attorney, Agent, or Firm* — Boyle Fredrickson, S.C.

(58) **Field of Classification Search**  
USPC ..... D24/133, 140, 143–147, 155, 171;  
D8/67–69, 107, 300, 303, 310, 311,  
D8/312, 315  
CPC ..... A61B 17/8875; A61B 2017/2918;  
A61B 2017/00464; A61B 2017/0042; A61B  
2017/00424; A61B 2017/00429; A61B  
2017/00433; A61B 2017/00455; A61B  
17/2909; B25B 23/141; B25C 3/006; B25G  
1/102; B25G 3/08; Y10T 16/476  
See application file for complete search history.

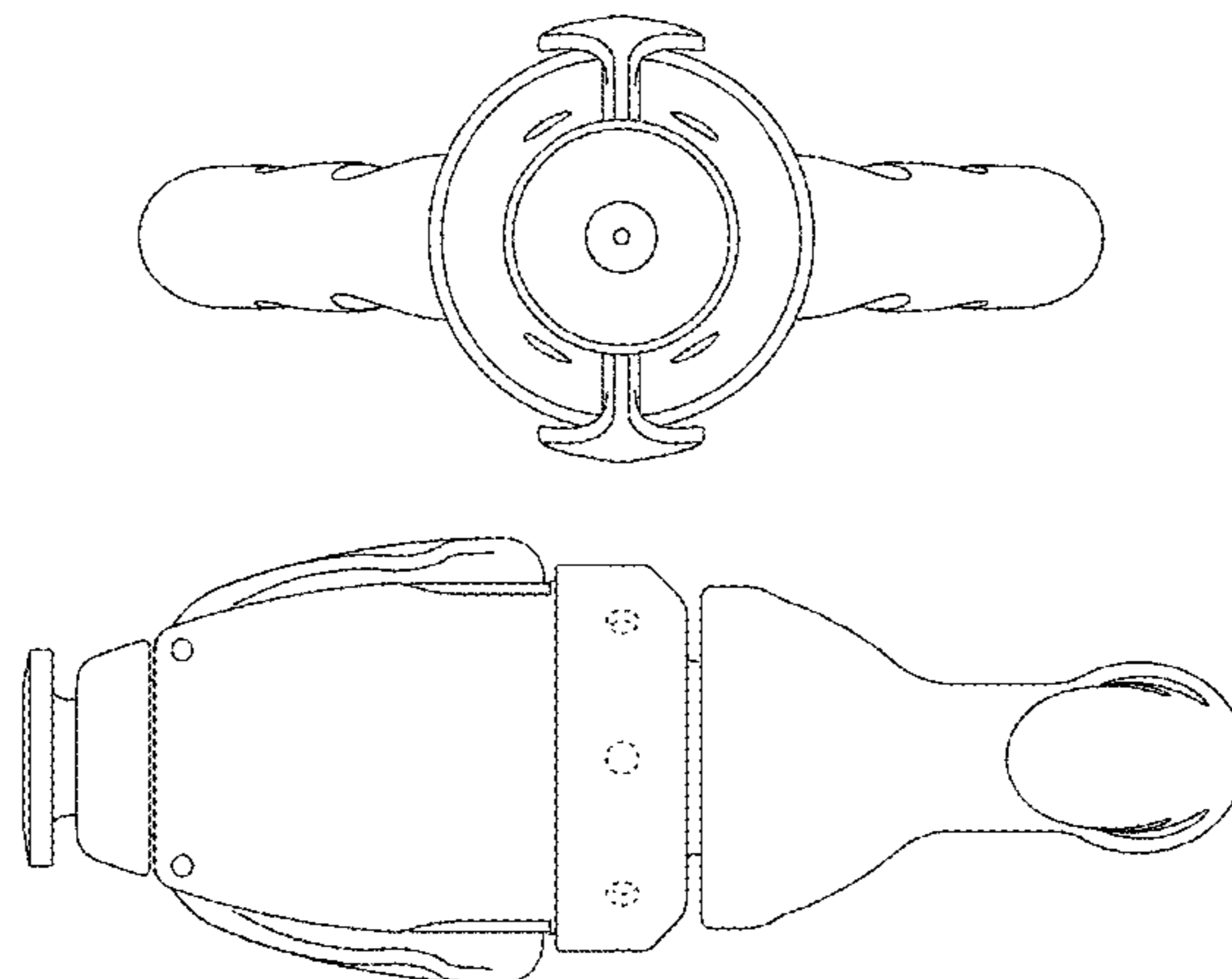
(57) **CLAIM**  
The ornamental design for a driving tool, as shown and  
described.

DESCRIPTION

FIG. 1 is a rear elevation view of a driving tool showing my  
new design;  
FIG. 2 is a top plan view thereof; the bottom plan view being  
a mirror image thereof;  
FIG. 3 is a front elevation view thereof;  
FIG. 4 is a perspective view thereof; and,  
FIG. 5 is a right side elevation view thereof, the left side  
elevation view being a mirror image thereof.  
The broken lines shown in the views are included for the  
purpose of illustrating portions of the driving tool that form  
no part of the claimed design.

(56) **References Cited**  
U.S. PATENT DOCUMENTS  
D47,034 S 3/1915 Dickinson  
D214,417 S 6/1969 Cleland  
D282,713 S 2/1986 Flory et al.  
D377,444 S 1/1997 Lin  
6,347,450 B1 2/2002 Langlois et al.  
D530,588 S 10/2006 Wang  
D557,584 S 12/2007 Gao  
D591,860 S 5/2009 Aparici et al.  
7,650,821 B2 1/2010 Gauthier et al.  
D613,144 S 4/2010 Lin

**1 Claim, 5 Drawing Sheets**



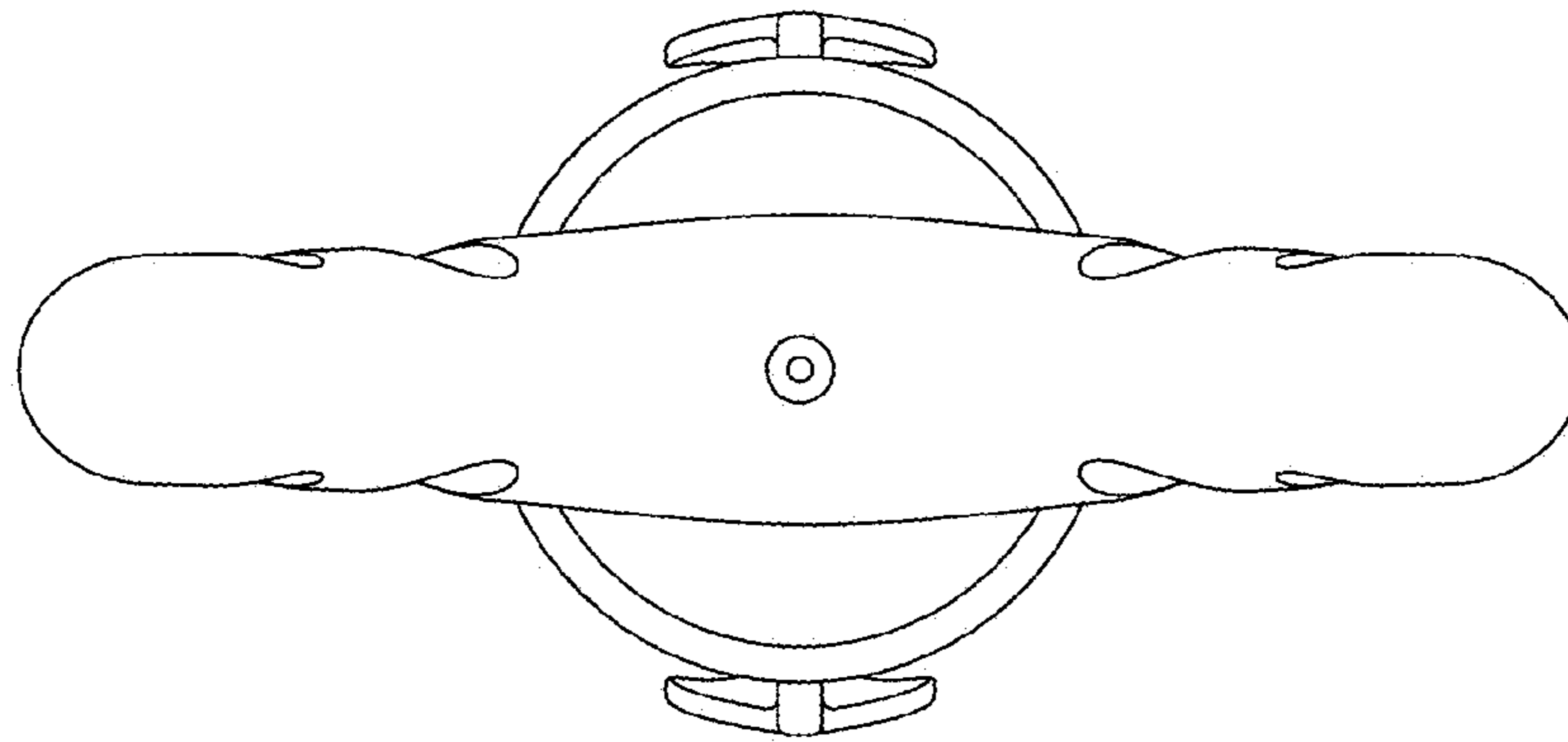


FIG. 1

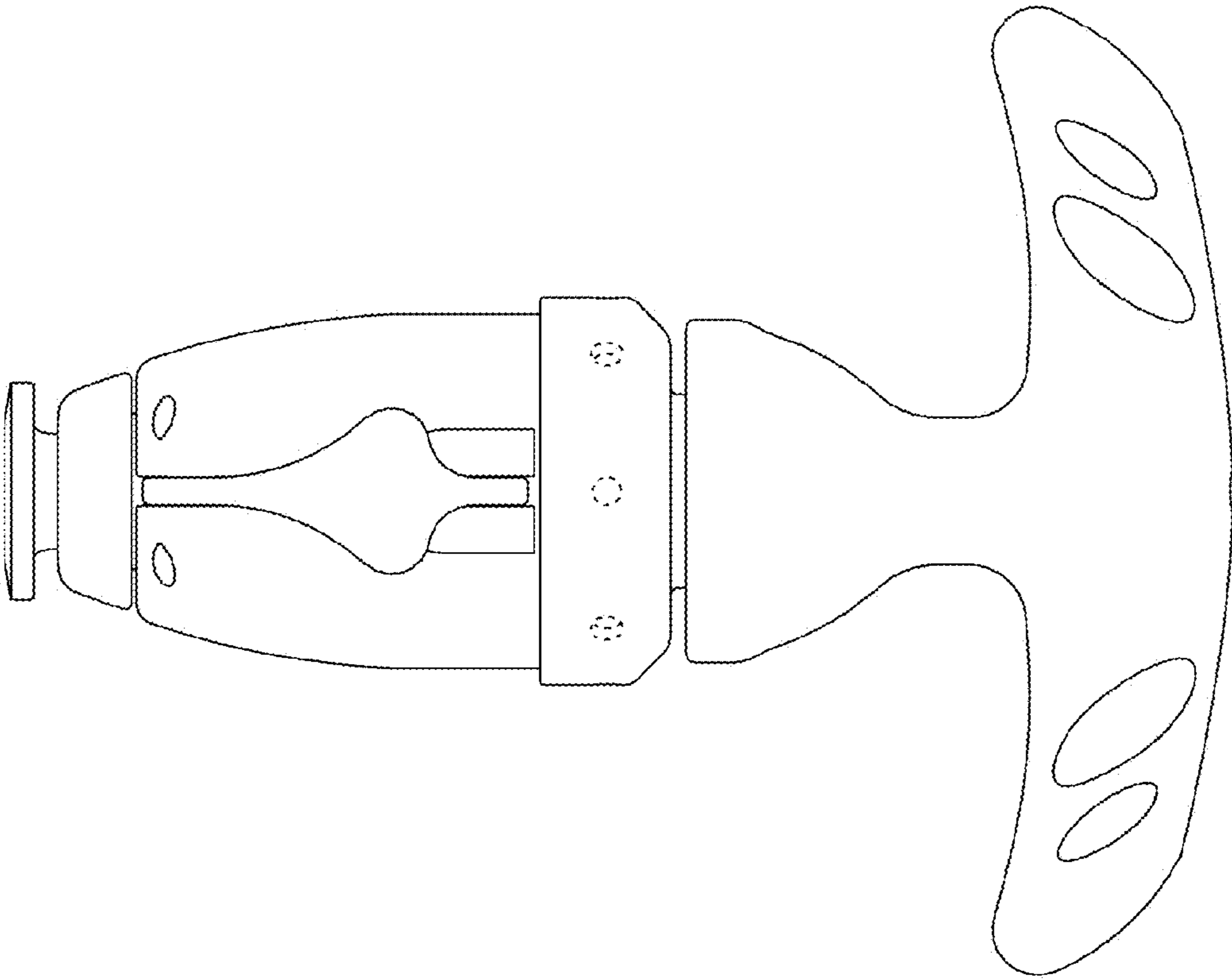


FIG. 2

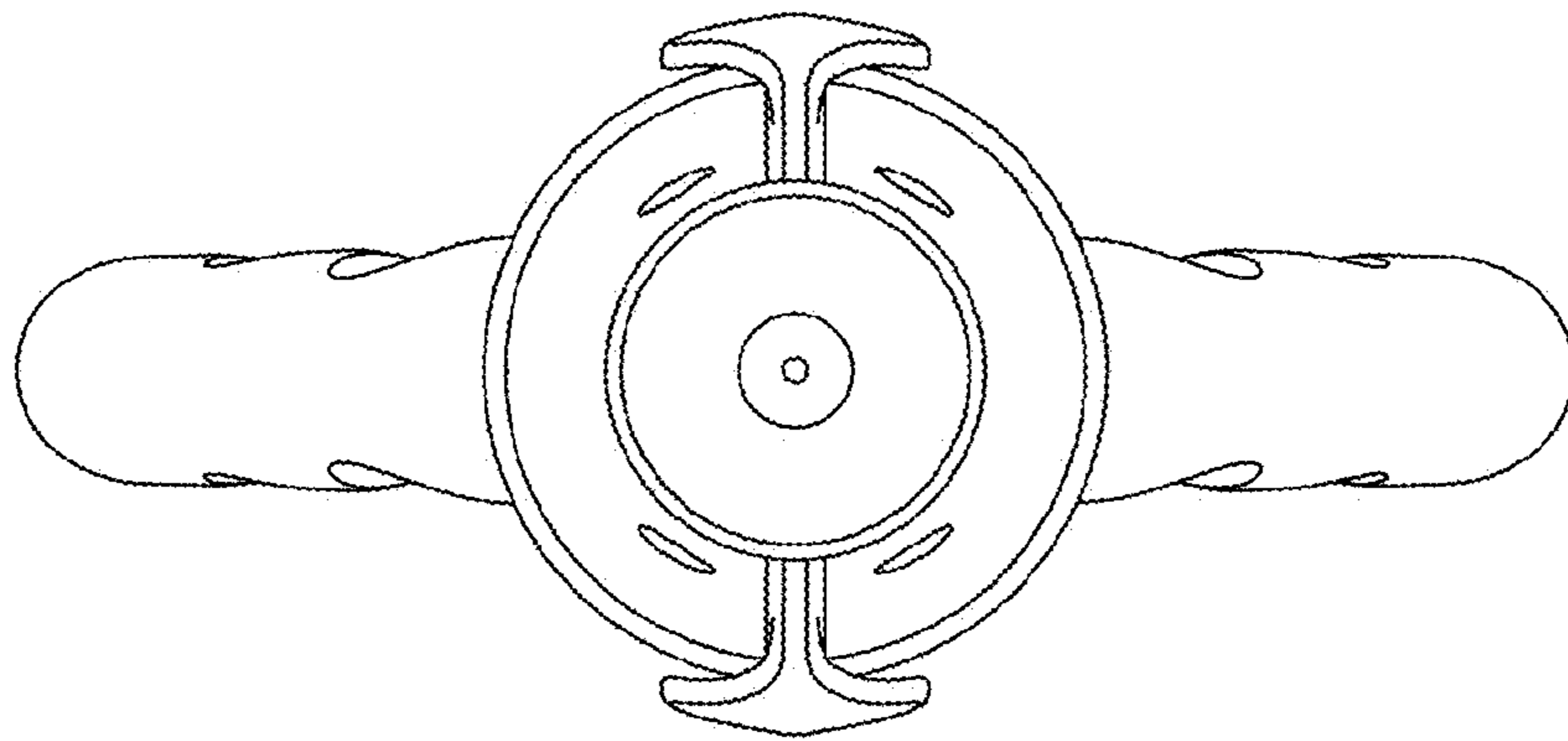


FIG. 3

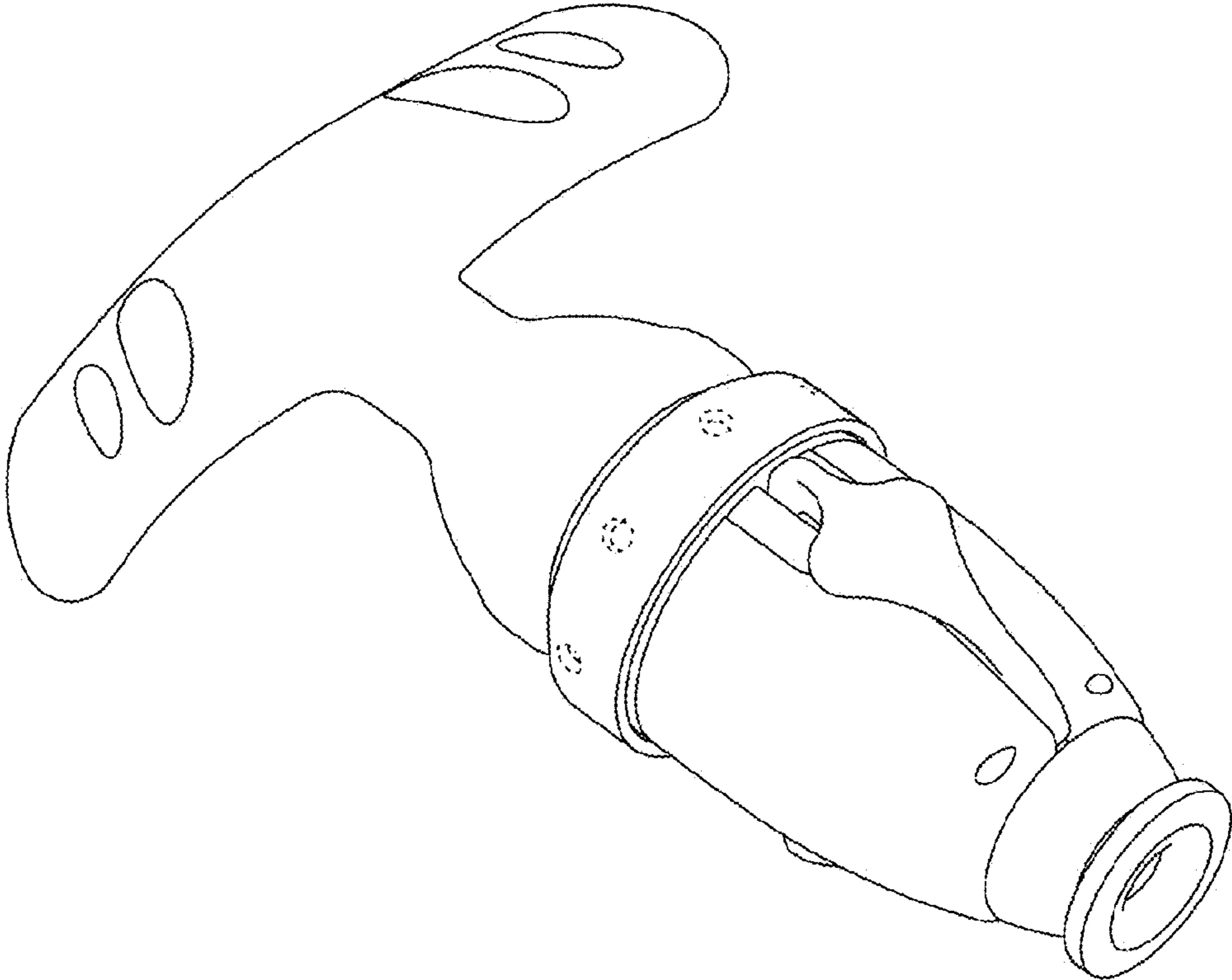


FIG. 4

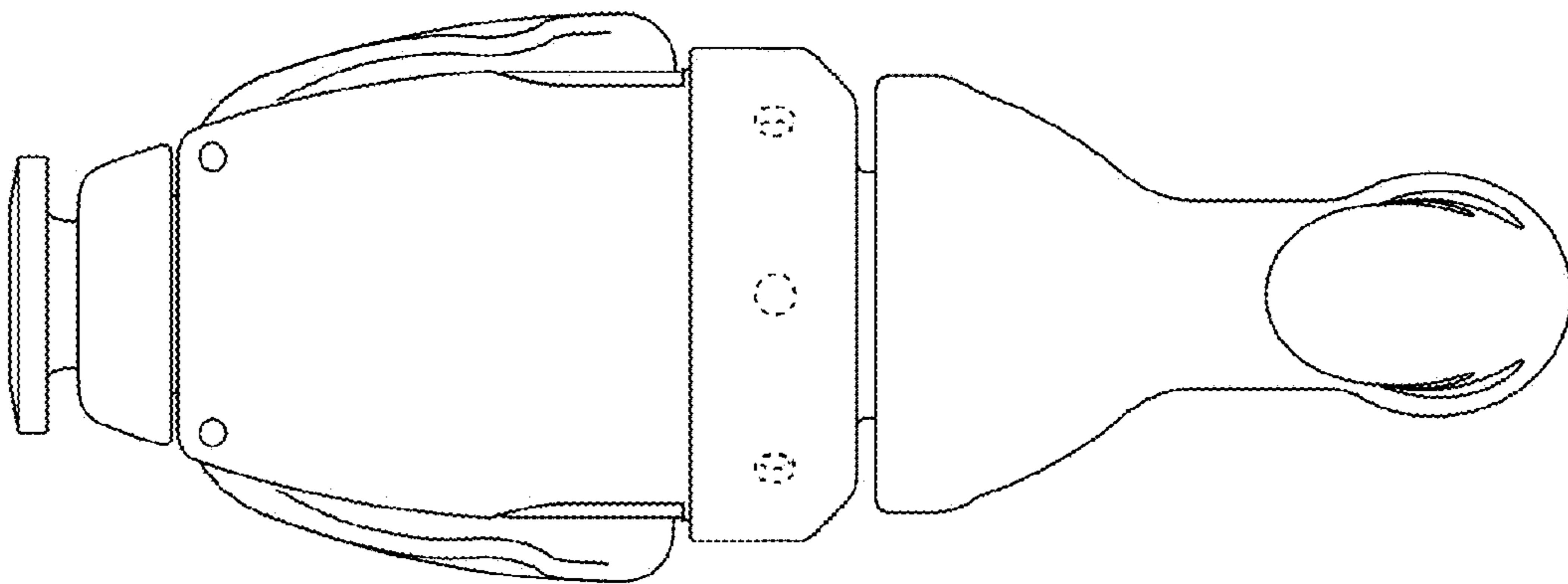


FIG. 5