



US00D748777S

(12) **United States Design Patent**
Uenishi et al.

(10) **Patent No.:** **US D748,777 S**
(45) **Date of Patent:** **** Feb. 2, 2016**

(54) **NEEDLE INTRODUCER CATHETER**

(71) Applicant: **NIPRO CORPORATION**, Osaka-shi,
Osaka (JP)

(72) Inventors: **Masayuki Uenishi**, Osaka (JP);
Hiroyuki Nakagami, Osaka (JP);
Tomohiro Uchimura, Osaka (JP);
Shingo Sakamoto, Osaka (JP)

(73) Assignee: **NIPRO CORPORATION**, Osaka (JP)

(**) Term: **14 Years**

(21) Appl. No.: **29/508,611**

(22) Filed: **Nov. 7, 2014**

(30) **Foreign Application Priority Data**

May 19, 2014 (JP) 2014-010607

(51) **LOC (10) Cl.** **24-02**

(52) **U.S. Cl.**
USPC **D24/130**

(58) **Field of Classification Search**
USPC D24/127-131, 112-114, 133, 186;
606/181, 185; 604/264, 523-528, 272,
604/187, 158, 164.01-164.11, 181, 184,
604/227; 600/101, 139, 143; 128/200.24,
128/207.14, 207.15
CPC . A61M 25/065; A61M 5/42; A61M 25/0612;
A61M 25/00; A61M 39/00; A61M 27/00;
A61M 25/0043; A61M 25/0067; A61M
25/0097; A61F 2/958

See application file for complete search history.

(56) **References Cited**

U.S. PATENT DOCUMENTS

D376,200 S 12/1996 Lindgren et al.
D395,501 S 6/1998 Erskine et al.
D498,844 S * 11/2004 Diamond D24/130

D609,804 S * 2/2010 Uchida D24/112
D636,489 S * 4/2011 D'Agostino D24/130
D653,338 S * 1/2012 Mangeshikar D24/133
D679,803 S * 4/2013 Carter D24/112
D700,318 S * 2/2014 Amoah D24/112
D701,304 S * 3/2014 Lair D24/129
D709,187 S * 7/2014 Li D24/129
D709,188 S * 7/2014 Guala D24/130
D713,957 S * 9/2014 Woehr D24/112
D735,321 S * 7/2015 Blanchard D24/112
D736,916 S * 8/2015 Appling D24/130
D737,430 S * 8/2015 Wargner D24/112

FOREIGN PATENT DOCUMENTS

EM 002140939-0001 12/2012
JP D1382646 S 3/2010
JP D1450206 S 9/2012

* cited by examiner

Primary Examiner — David Muller

(74) *Attorney, Agent, or Firm* — Brinks Gilson & Lione

(57) **CLAIM**

We claim the ornamental design for a needle introducer catheter, as shown and described.

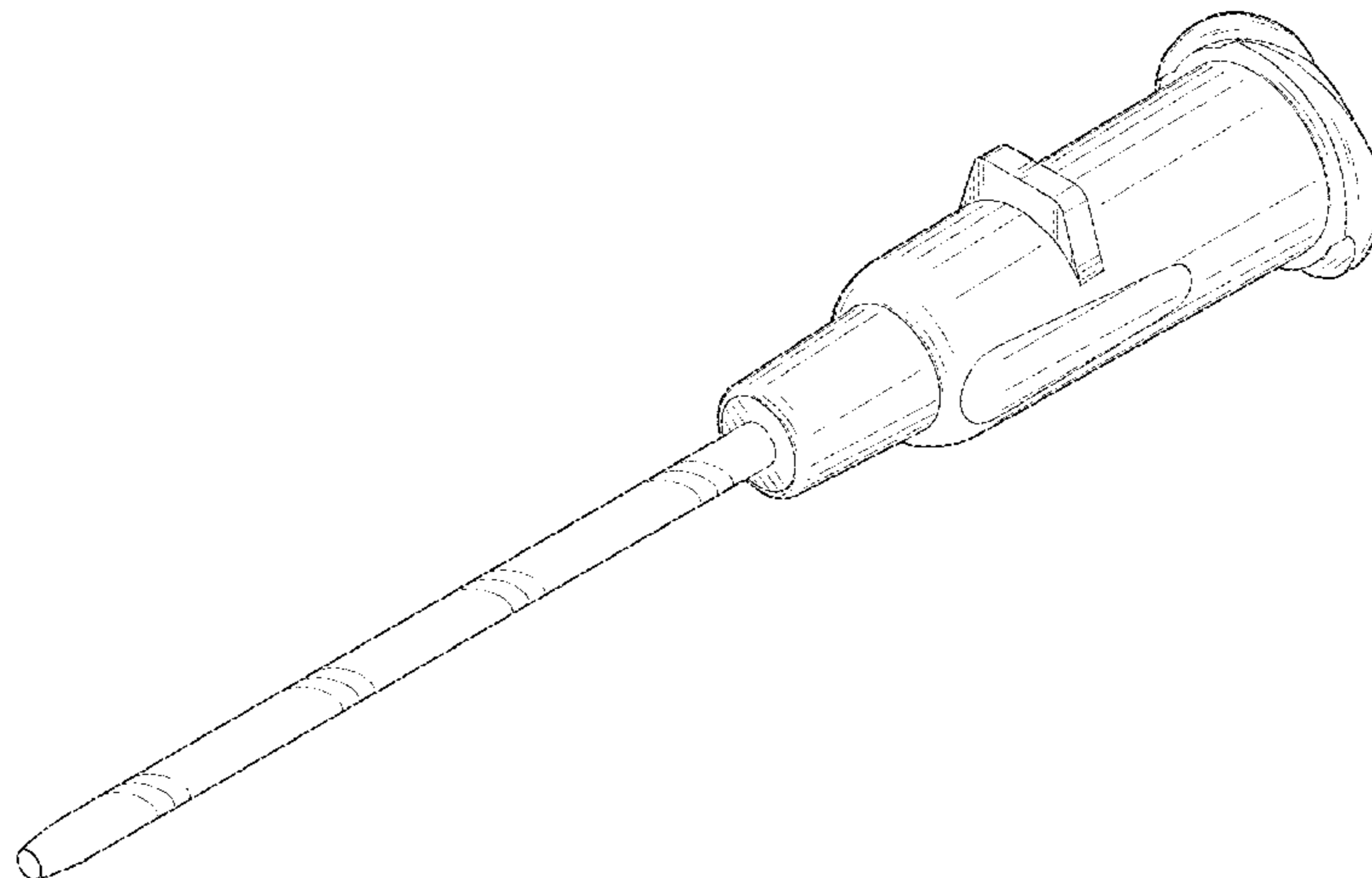
DESCRIPTION

FIG. 1 is a front perspective view of a needle introducer catheter of the present invention;
FIG. 2 is a rear perspective view thereof;
FIG. 3 is a first side view thereof;
FIG. 4 is a second side view thereof;
FIG. 5 is a top view thereof;
FIG. 6 is a bottom view thereof;
FIG. 7 is a front view thereof; and,
FIG. 8 is a rear view thereof.

The narrow elongated portion depicted in the drawings is transparent.

The broken line showing of parts of the drawings is included for the purpose of illustrating use and environment and forms no part of the claimed design.

1 Claim, 8 Drawing Sheets



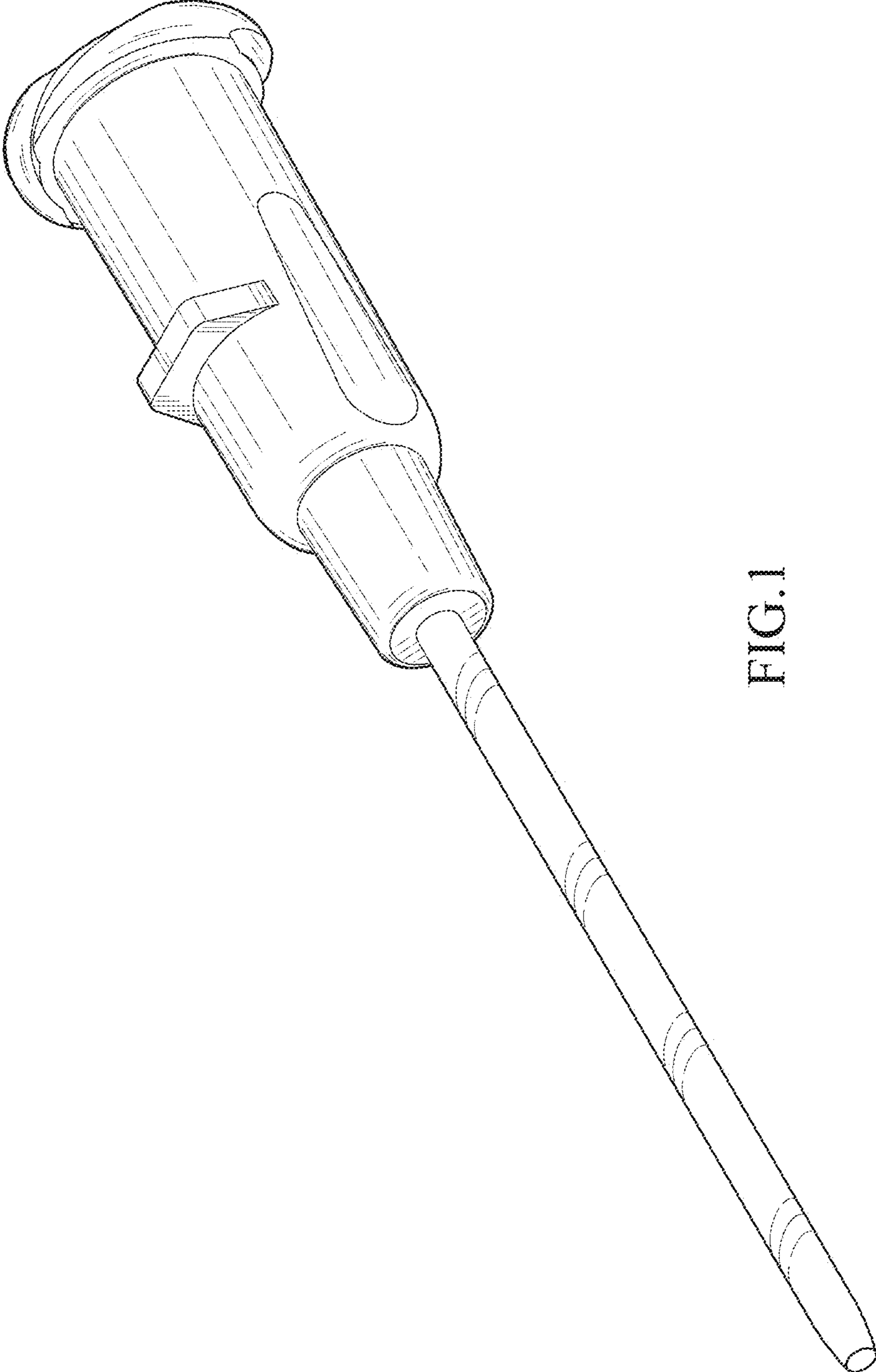


FIG.1

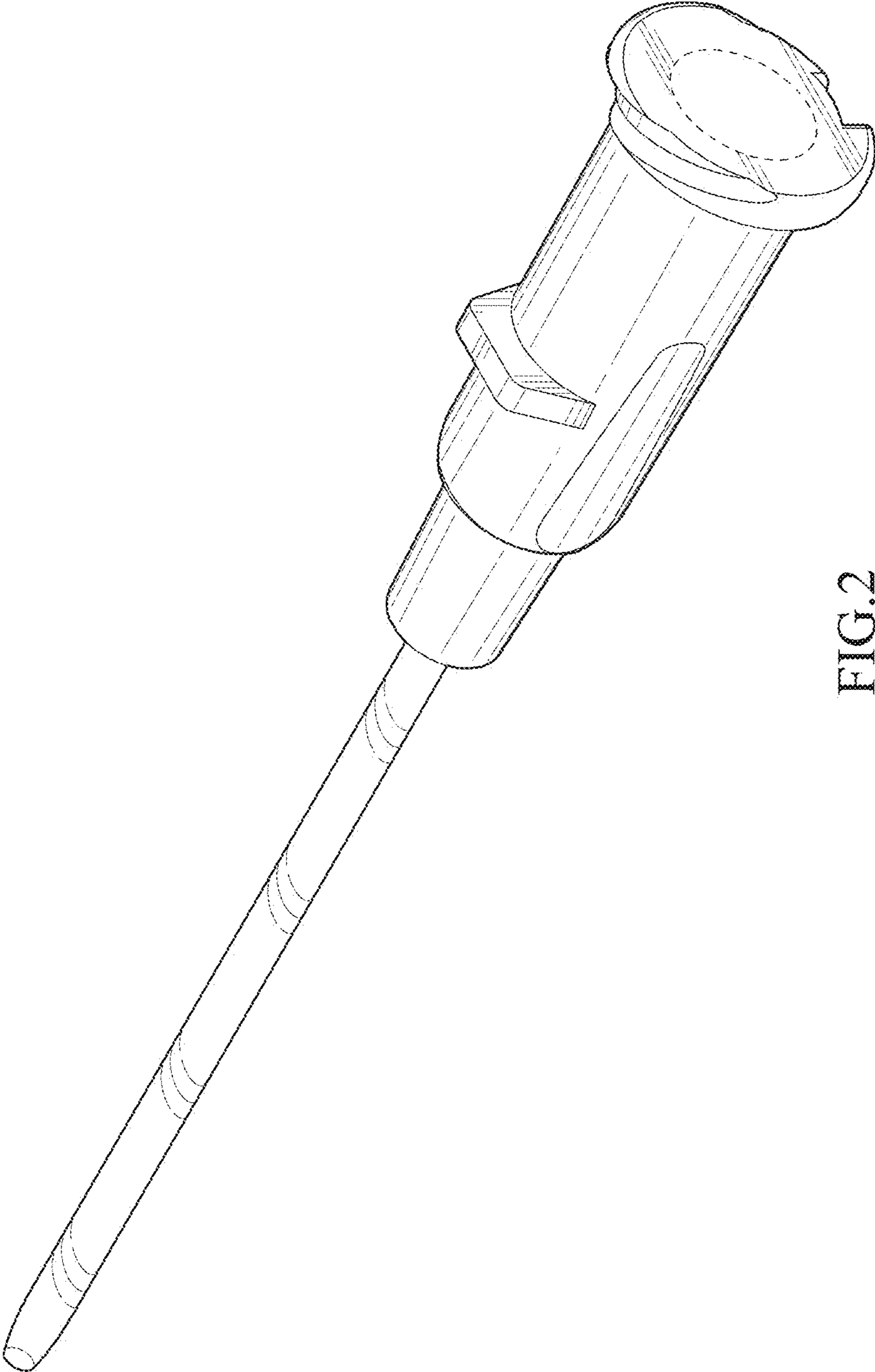


FIG.2

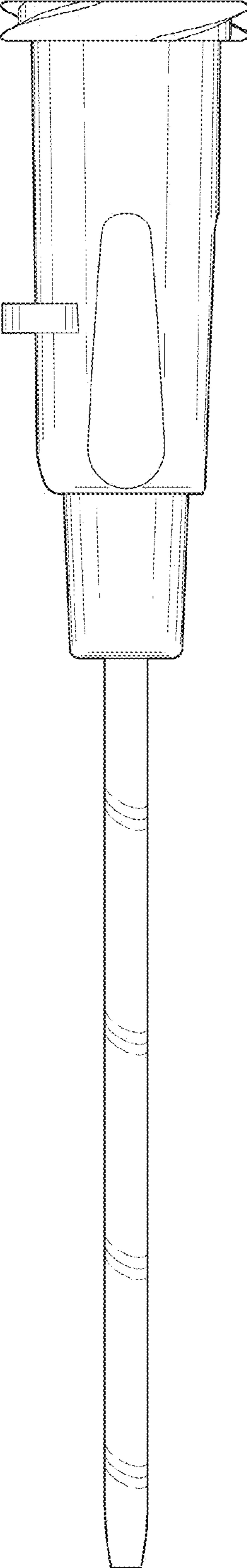


FIG. 3

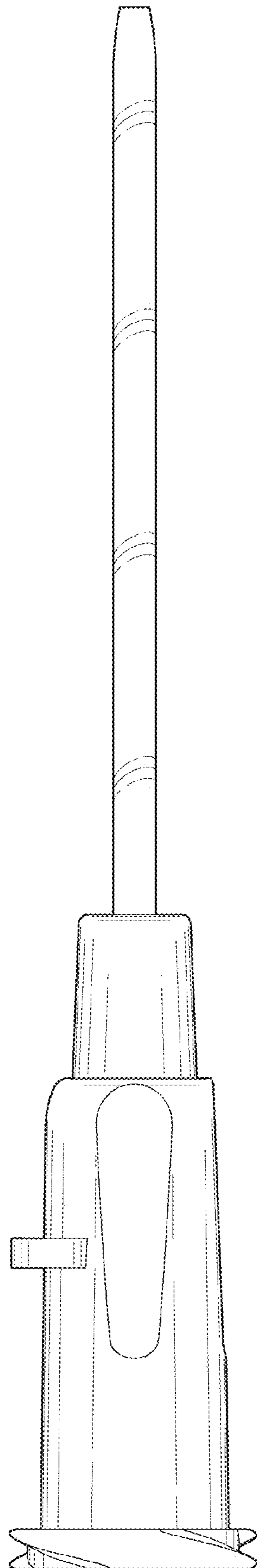


FIG. 4

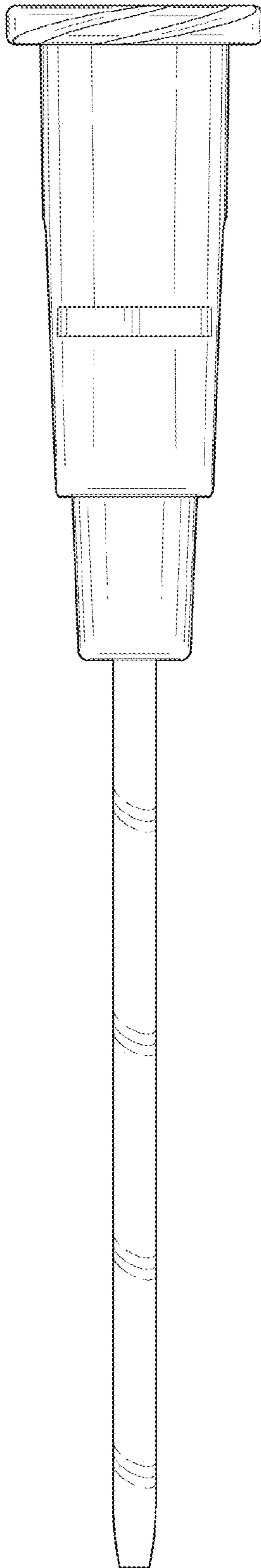


FIG. 5

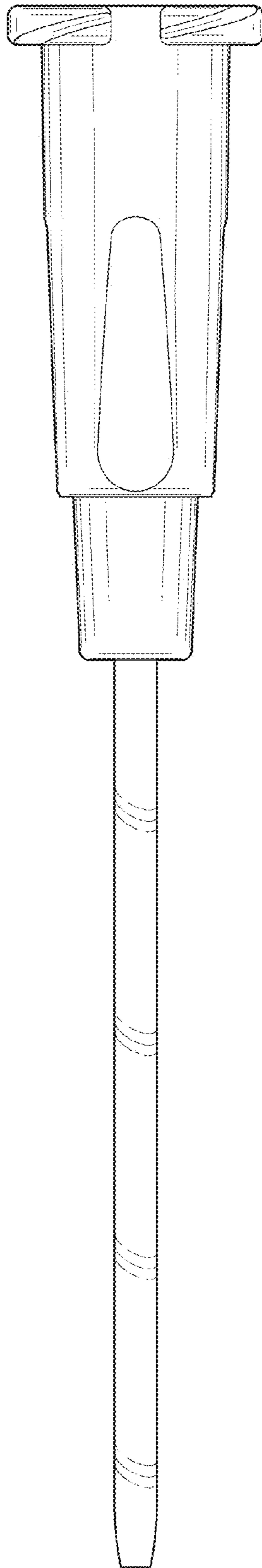


FIG.6

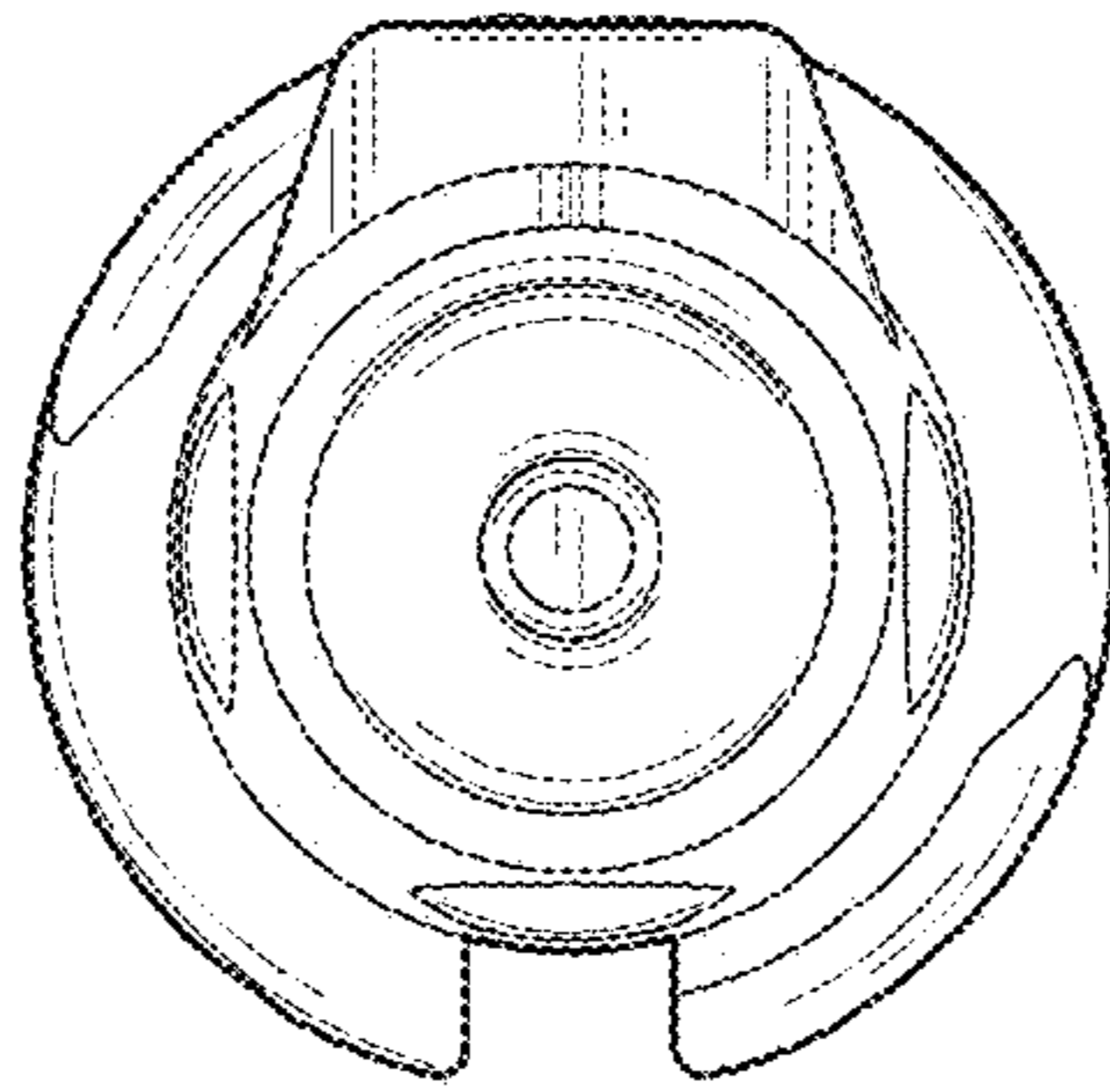


FIG.7

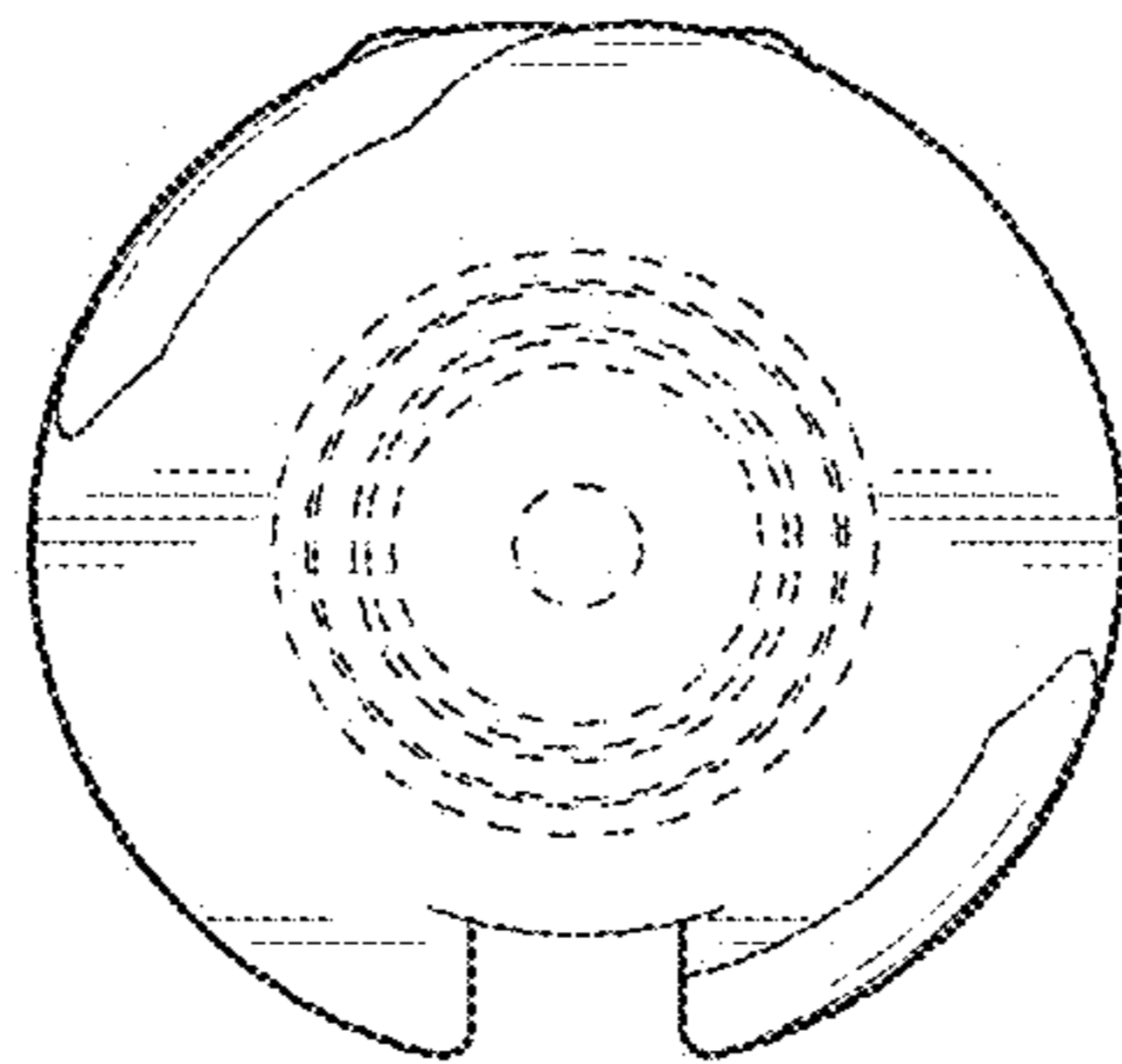


FIG.8