



US00D748773S

(12) **United States Design Patent**
Ritter, III et al.

(10) **Patent No.:** **US D748,773 S**
(45) **Date of Patent:** **** Feb. 2, 2016**

(54) **MANOMETER WITH CADENCE INDICATOR**

(71) Applicant: **MERCURY ENTERPRISES, INC.**,
Clearwater, FL (US)

(72) Inventors: **James Russell Ritter, III**, Largo, FL
(US); **Jeffrey B. Ratner**, Pinellas Park,
FL (US)

(73) Assignee: **MERCURY ENTERPRISES, INC.**,
Clearwater, FL (US)

(**) Term: **14 Years**

(21) Appl. No.: **29/493,024**

(22) Filed: **Jun. 5, 2014**

(51) **LOC (10) Cl.** **29-02**

(52) **U.S. Cl.**
USPC **D24/110.6; D10/83**

(58) **Field of Classification Search**
USPC D10/83, 85; D23/233, 235; D24/110.6,
D24/165, 186; 73/23.3; 128/203.11, 205.23,
128/205.24, 207.12, 207.16; 422/84;
600/532, 538
CPC G01L 19/147; G01L 7/187; G01L 7/04;
G01L 7/166; G01L 7/163; A61M 2230/432;
A61M 2016/0021; A61M 16/0051; A61B
5/0836

See application file for complete search history.

(56) **References Cited**

U.S. PATENT DOCUMENTS

6,709,403 B1 * 3/2004 Ratner 600/532
D672,454 S * 12/2012 Howe et al. D24/110.6

* cited by examiner

Primary Examiner — Antoine D Davis

(74) *Attorney, Agent, or Firm* — Larson & Larson, P.A.;
Frank Liebenow; Justin P. Miller

(57) **CLAIM**

The ornamental design for a manometer with cadence indi-
cator, as shown and described.

DESCRIPTION

FIG. 1 is a front elevation view of the manometer with
cadence indicator showing my new design;
FIG. 2 is a rear elevation view thereof;
FIG. 3 is a left side elevation view thereof;
FIG. 4 is a right side elevation view thereof;
FIG. 5 is a top plan view thereof;
FIG. 6 is a bottom plan view thereof; and,
FIG. 7 is a perspective view thereof.
The broken lines depicting exemplary pressure reading indi-
cators in FIGS. 5, 6, and 7 depict environmental subject
matter only and form no part of the claimed design.

1 Claim, 4 Drawing Sheets

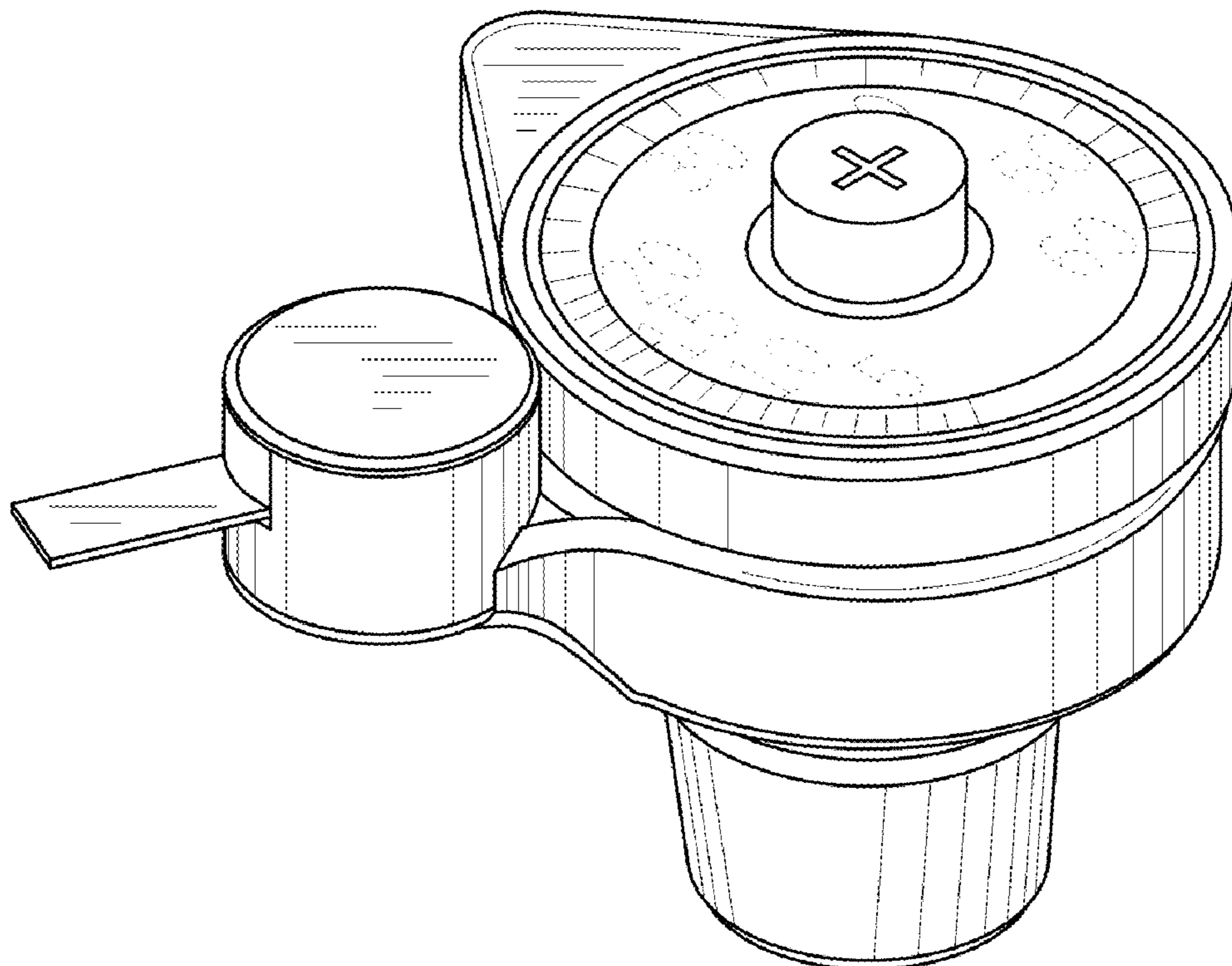


FIG. 1

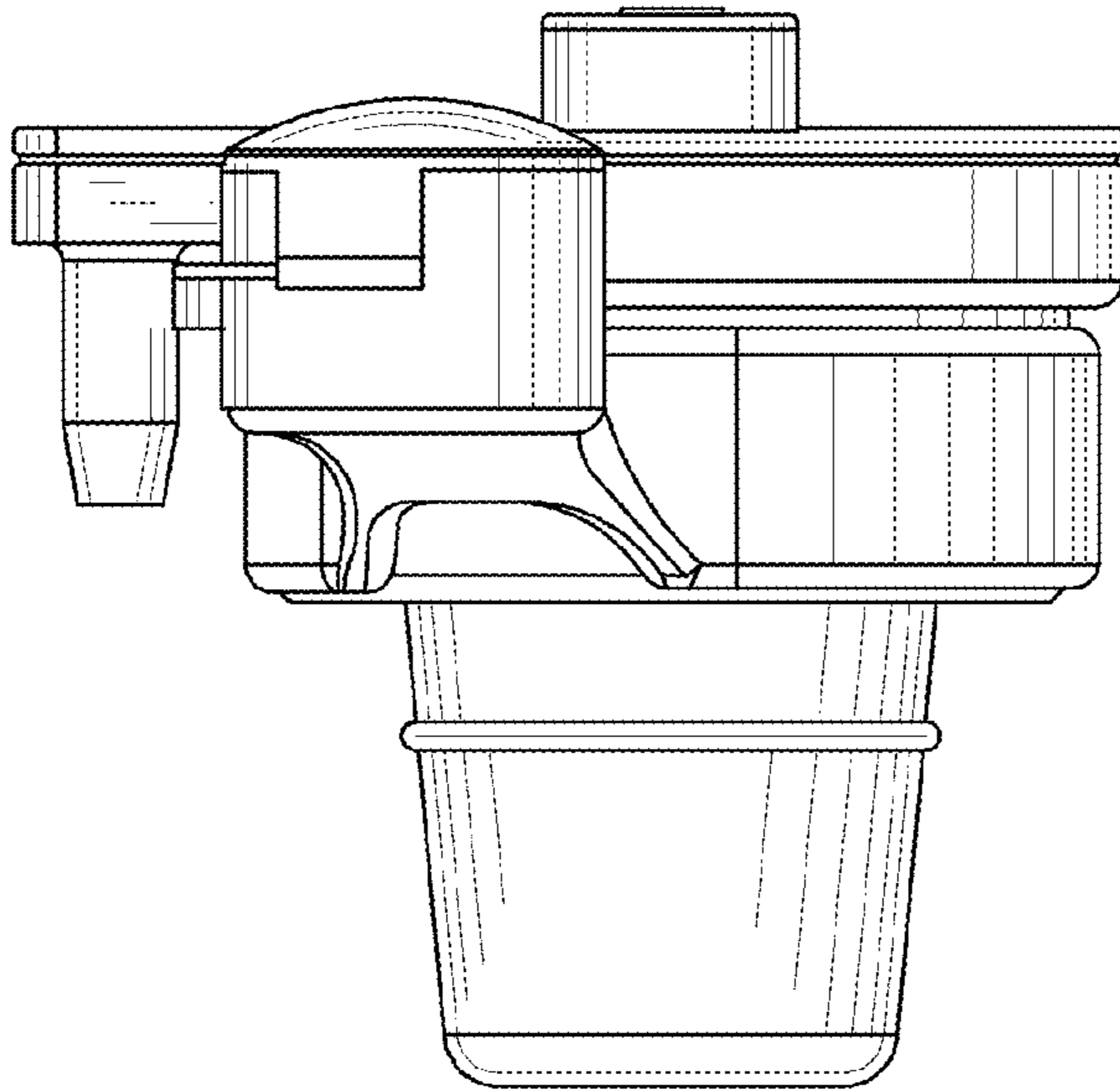
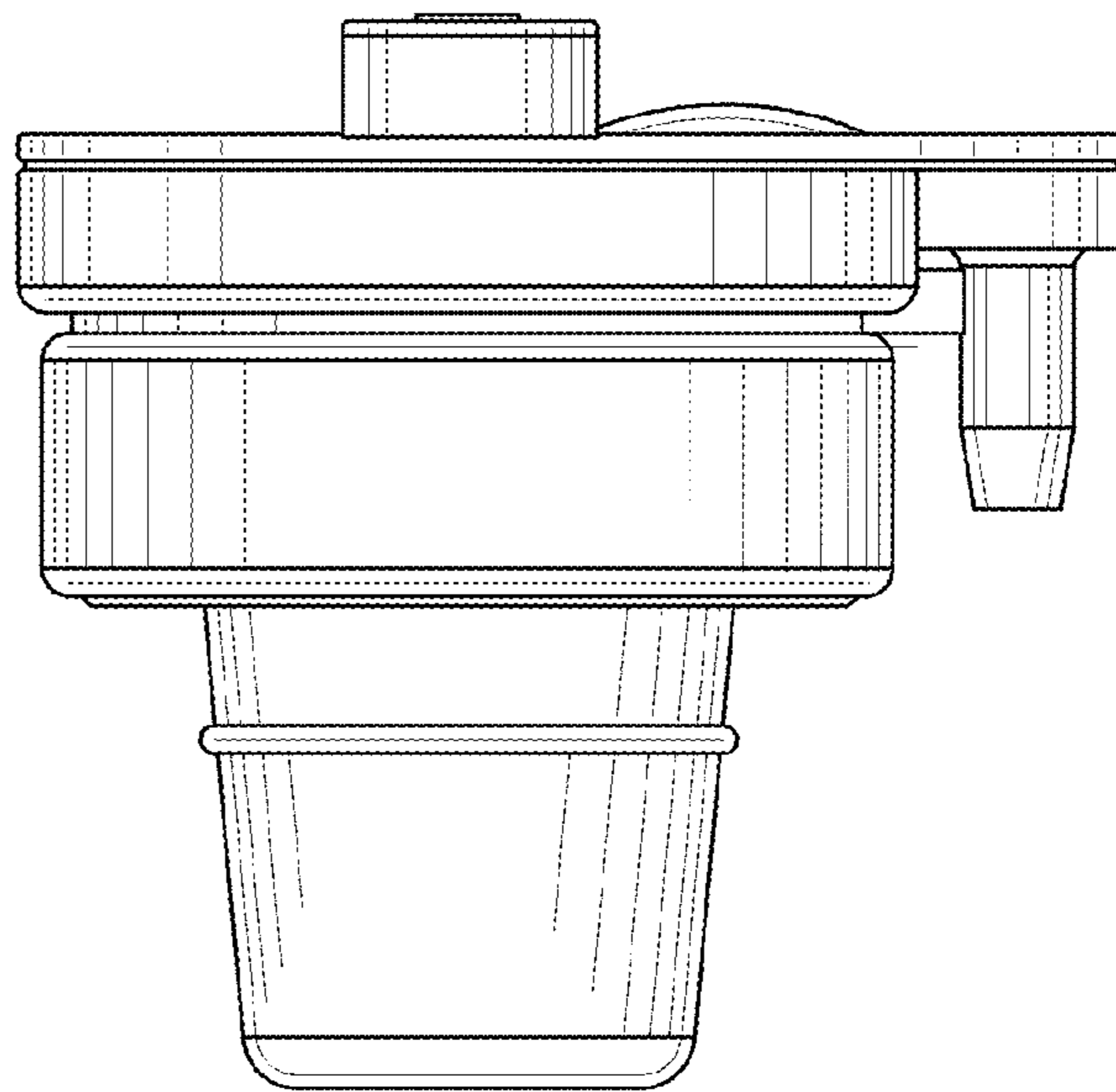


FIG. 2



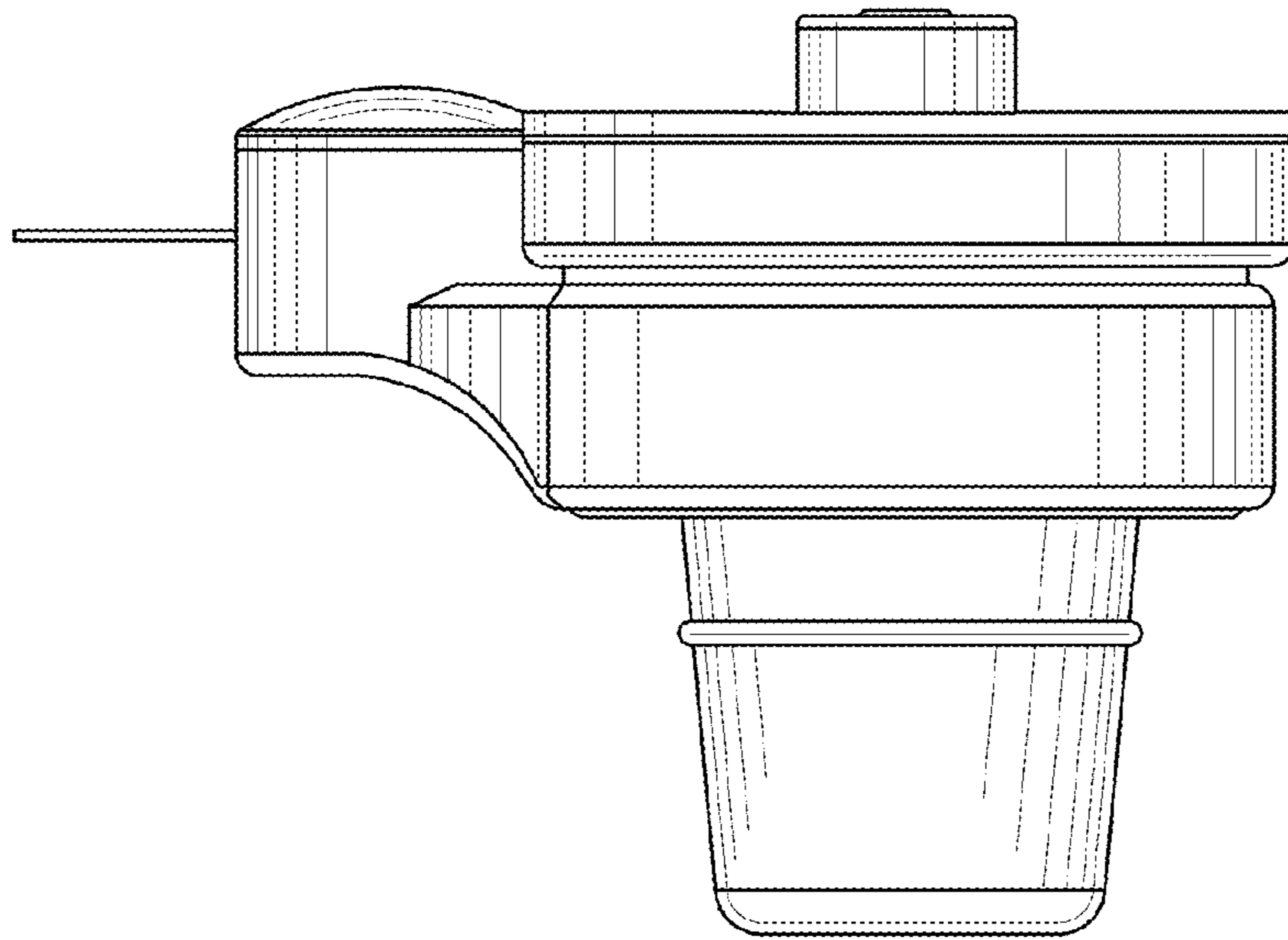


FIG. 3

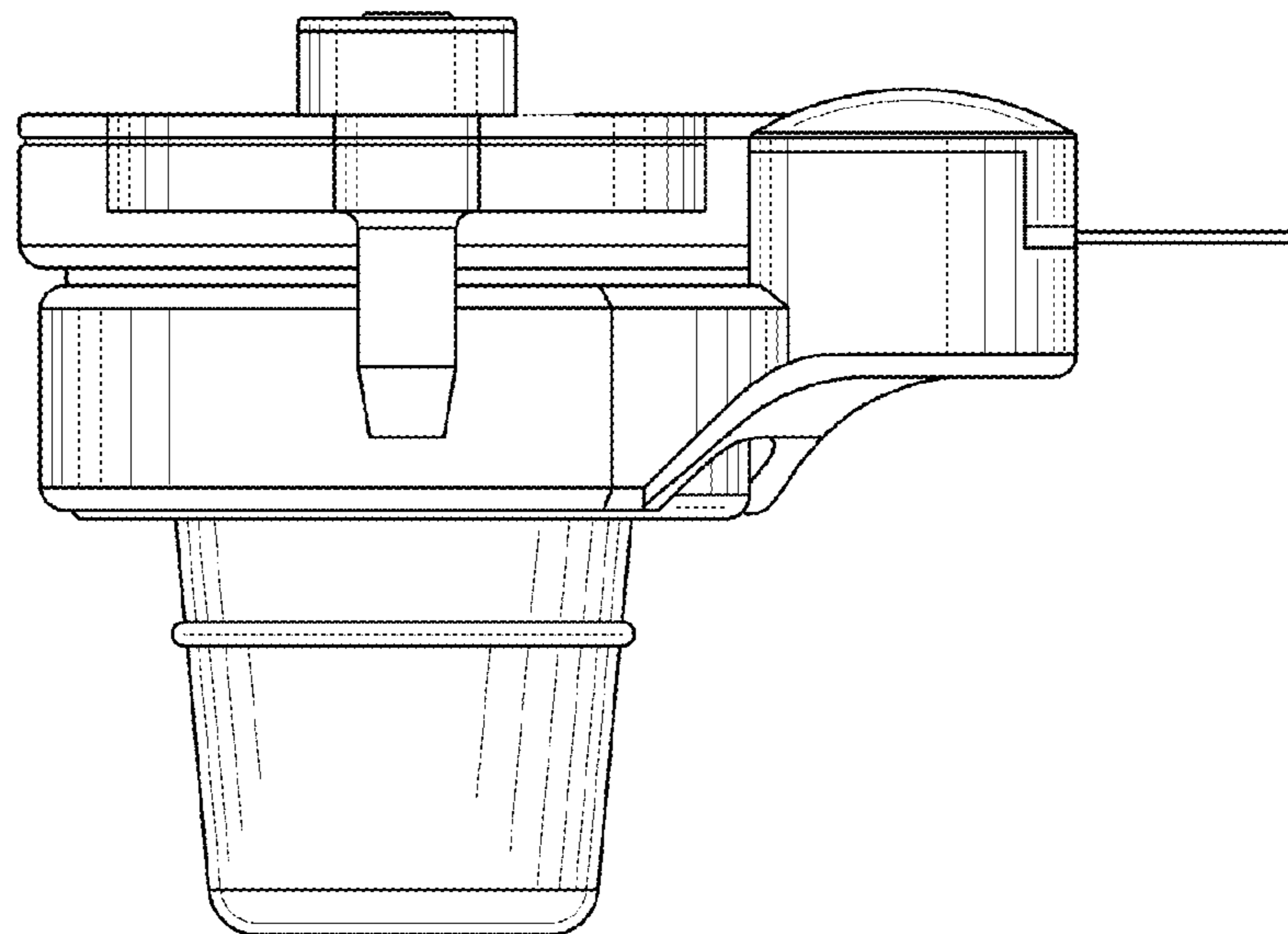


FIG. 4

FIG. 5

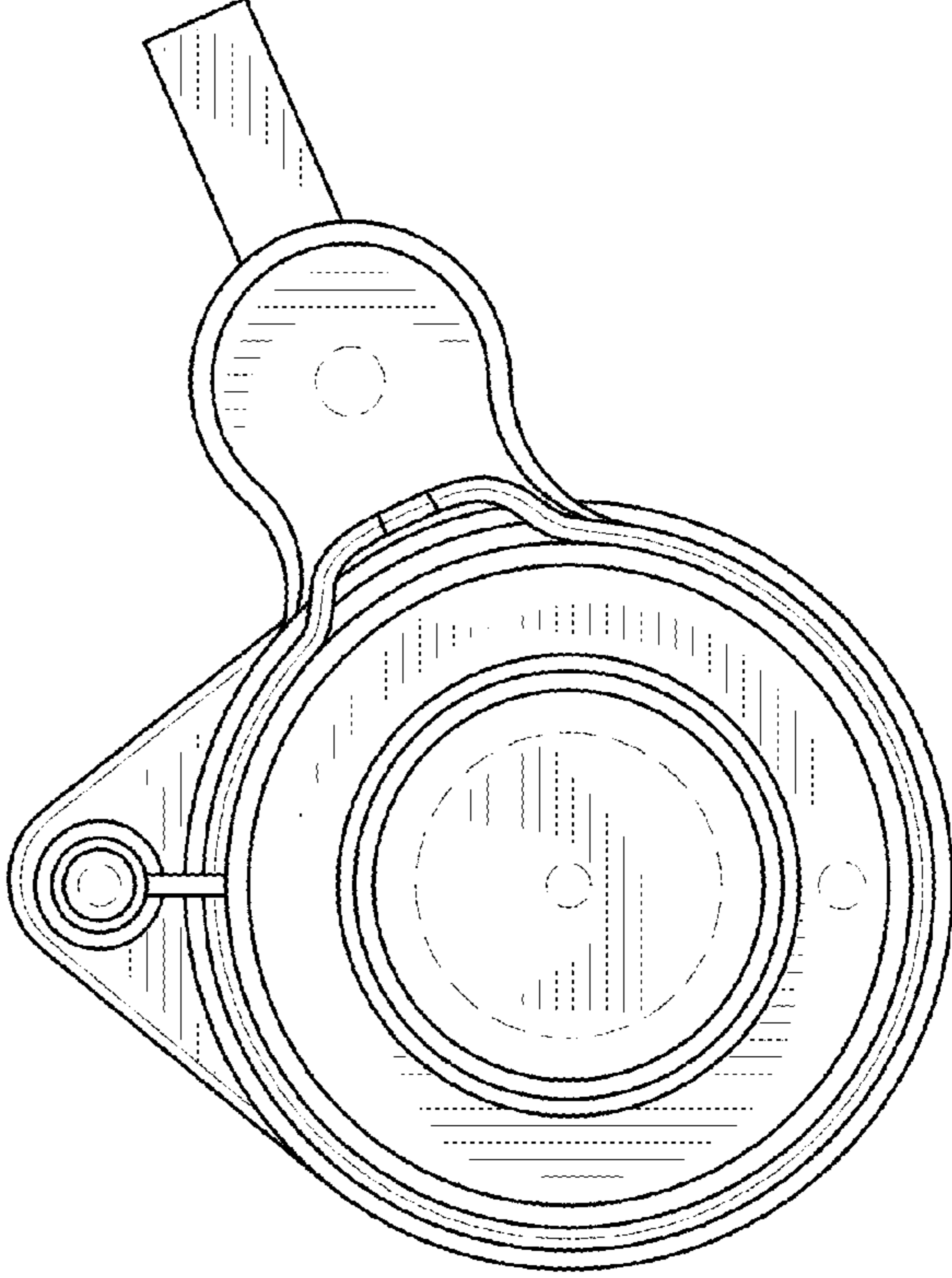
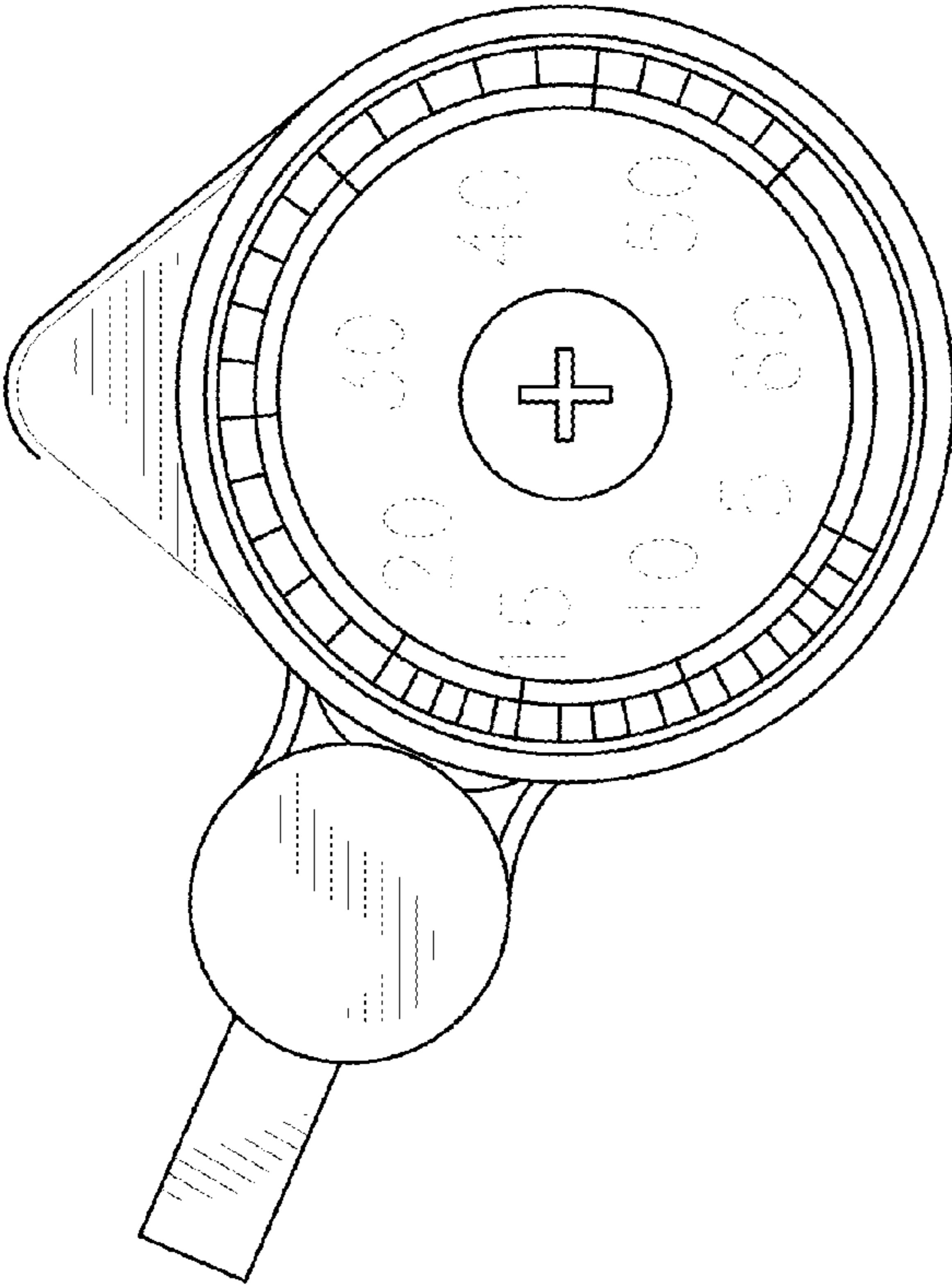


FIG. 6

FIG. 7

