



US00D748772S

(12) **United States Design Patent**
Jacobs et al.

(10) **Patent No.:** **US D748,772 S**
(45) **Date of Patent:** **** Feb. 2, 2016**

(54) **DEODORIZER**

(71) Applicant: **Remodeez LLC**, Charlotte, NC (US)

(72) Inventors: **Jason D. Jacobs**, Charlotte, NC (US);
Scott Newlin, Brooklyn, NY (US)

(73) Assignee: **Remodeez LLC**, Charlotte, NC (US)

(**) Term: **14 Years**

(21) Appl. No.: **29/519,781**

(22) Filed: **Mar. 8, 2015**

Related U.S. Application Data

(63) Continuation-in-part of application No. 29/502,157,
filed on Sep. 12, 2014.

(51) **LOC (10) Cl.** **28-99**

(52) **U.S. Cl.**
USPC **D23/366**

(58) **Field of Classification Search**
USPC D23/355-369; D28/5, 6; 261/DIG. 17,
261/DIG. 42, DIG. 65, DIG. 88, DIG. 89;
392/386, 390, 394, 395, 397; 239/34,
239/44, 53, 55, 56, 326; D26/9, 10;
D11/131.1

See application file for complete search history.

(56) **References Cited**

U.S. PATENT DOCUMENTS

1,769,409 A 7/1930 Armstrong
D162,679 S 3/1951 Munnecke

(Continued)

OTHER PUBLICATIONS

European Community Design Registration Nos. 002538272-0001
through 0007.

(Continued)

Primary Examiner — Sandra Snapp

(74) *Attorney, Agent, or Firm* — LaBatt, LLC

(57) **CLAIM**

The ornamental design for a deodorizer, as shown and described.

DESCRIPTION

FIG. 1 is a front, right side perspective view of a first embodiment of a deodorizer according to the present design.

FIG. 2 is a front elevation view of the deodorizer shown in FIG. 1, the rear elevation view is identical to the front elevation view.

FIG. 3 is a left side elevation view of the deodorizer shown in FIG. 1.

FIG. 4 is a right side elevation view of the deodorizer shown in FIG. 1.

FIG. 5 is a top plan view of the deodorizer shown in FIG. 1.

FIG. 6 is a bottom plan view of the deodorizer shown in FIG. 1.

FIG. 7 is a front, right side perspective view of a second embodiment of a deodorizer according to the present design. FIG. 8 is a front elevation view of the deodorizer shown in FIG. 7, the rear elevation view is identical to the front elevation view.

FIG. 9 is a left side elevation view of the deodorizer shown in FIG. 7.

FIG. 10 is a right side elevation view of the deodorizer shown in FIG. 7.

FIG. 11 is a top plan view of the deodorizer shown in FIG. 7.

FIG. 12 is a bottom plan view of the deodorizer shown in FIG. 7.

FIG. 13 is a front, left side perspective view of a third embodiment of a deodorizer according to the present design.

FIG. 14 is a front elevation view of the deodorizer shown in FIG. 13, the rear elevation view is identical to the front elevation view.

FIG. 15 is a left side elevation view of the deodorizer shown in FIG. 13.

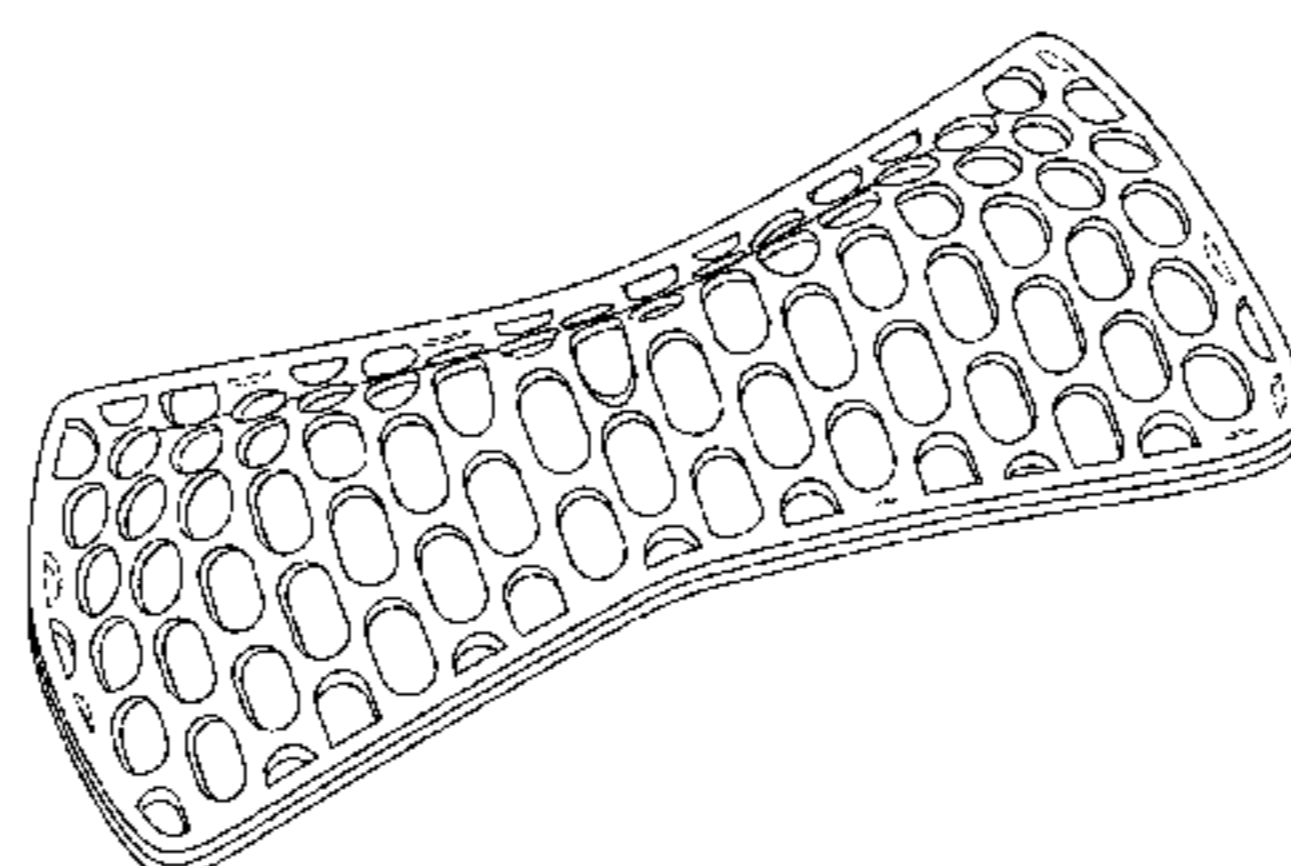
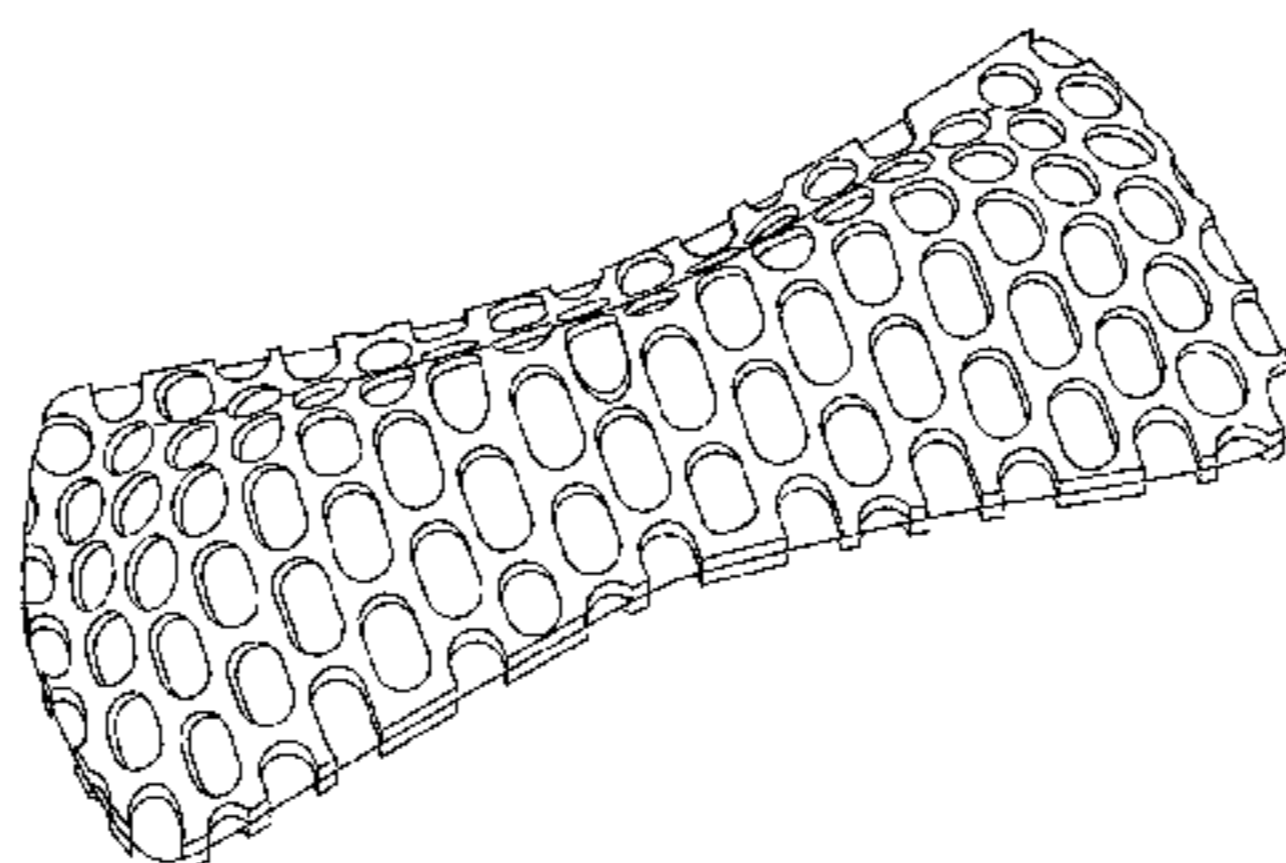
FIG. 16 is a right side elevation view of the deodorizer shown in FIG. 13.

FIG. 17 is a top plan view of the deodorizer shown in FIG. 13;

and, FIG. 18 is a bottom plan view of the deodorizer shown in FIG. 13.

The broken lines illustrate portions of the embodiment of the deodorizer and form no part of the claimed design.

1 Claim, 6 Drawing Sheets



(56)

References Cited

U.S. PATENT DOCUMENTS

D175,254 S 8/1955 Hanson
 2,738,225 A 3/1956 Meek
 3,797,982 A 3/1974 Borrello
 D244,200 S 5/1977 Ramos et al.
 4,612,223 A 9/1986 Spector
 D357,330 S 4/1995 Wong et al.
 D411,881 S 7/1999 Weick
 D445,493 S 7/2001 Nystrom
 D451,183 S 11/2001 Hirano et al.
 D462,431 S 9/2002 Bunce et al.
 D496,451 S 9/2004 Julos et al.
 D503,468 S 3/2005 Harbutt et al.
 D509,578 S 9/2005 Yao
 D510,422 S 10/2005 Schriener et al.
 D532,695 S 11/2006 Grant
 D548,317 S 8/2007 Newton et al.
 D560,788 S 1/2008 Farrell et al.
 D575,384 S 8/2008 Huang
 D582,533 S 12/2008 Bodine
 D582,534 S 12/2008 Conway et al.
 D591,415 S 4/2009 Wu
 D593,669 S 6/2009 Daelemans et al.

D596,281 S * 7/2009 Schwartz et al. D23/366
 D609,322 S * 2/2010 Schwartz et al. D23/366
 D611,581 S 3/2010 Jorgensen
 D614,278 S * 4/2010 Schwartz et al. D23/366
 D622,400 S * 8/2010 Freeman et al. D24/186
 D629,881 S 12/2010 Valentino et al.
 D633,191 S 2/2011 Sato
 D654,761 S 2/2012 Herbst
 D675,304 S 1/2013 Valentino et al.
 D681,182 S 4/2013 Tomas Vilarasa et al.
 D681,183 S 4/2013 Blanchford et al.
 D713,948 S * 9/2014 Westphal D23/366
 D716,434 S 10/2014 Newlin
 2008/0253755 A1 10/2008 Smith et al.

OTHER PUBLICATIONS

Notice of Allowance for Design U.S. Appl. No. 29/502,156, Dec. 8, 2014, 13 pages.
 Snapp, Sandra S., U.S. Appl. No. 29/484,963, Office Action 1, Jul. 8, 2015, 20 pages.
 Snapp, Sandra S., U.S. Appl. No. 29/502,157, Notice of Allowance, Apr. 24, 2015, 23 pages.

* cited by examiner

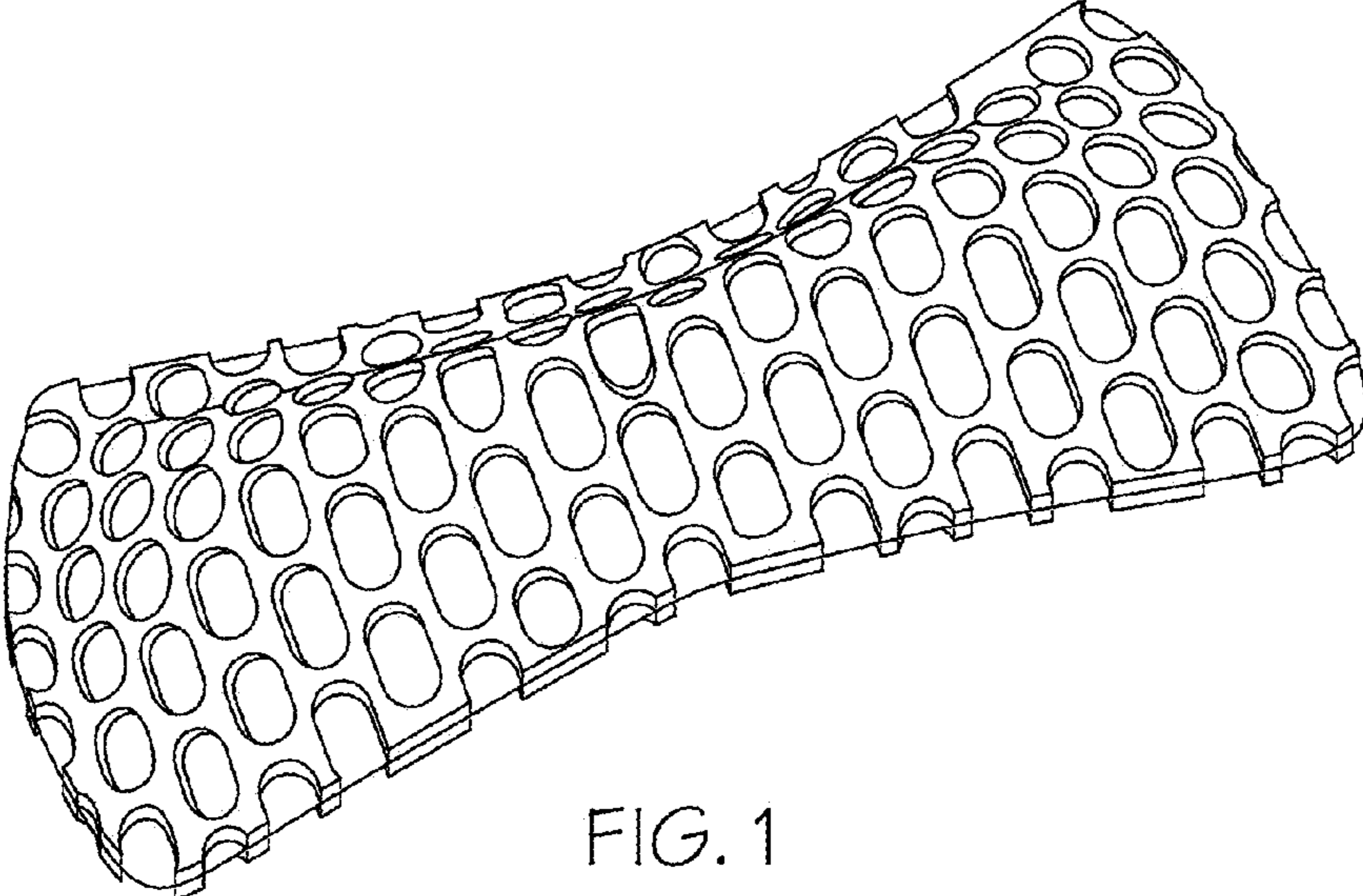


FIG. 1

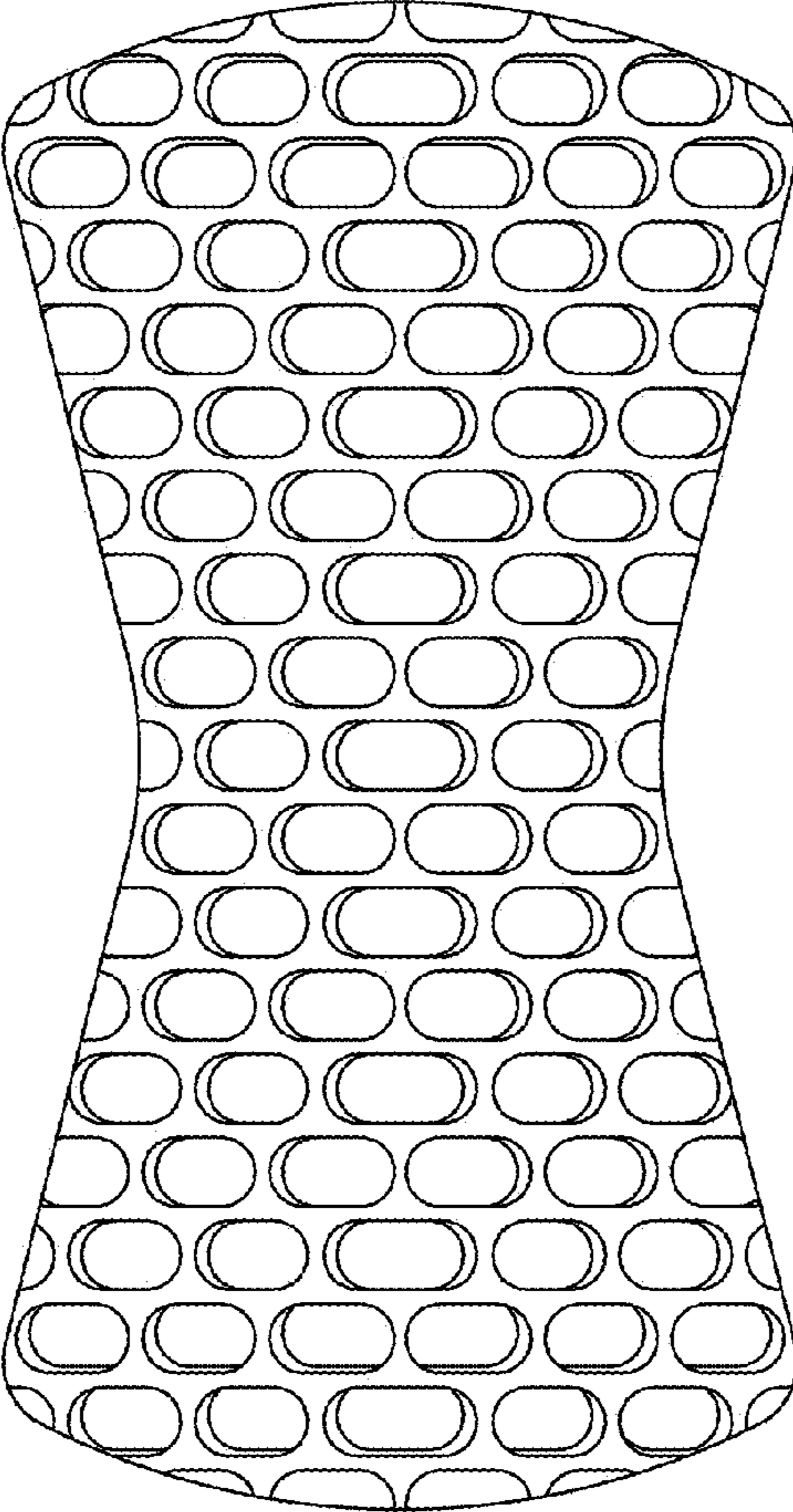


FIG. 2

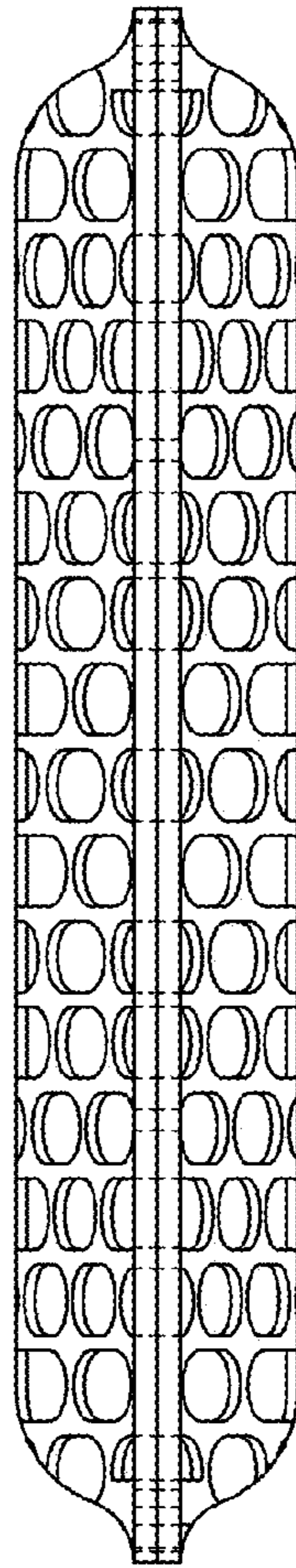


FIG. 3

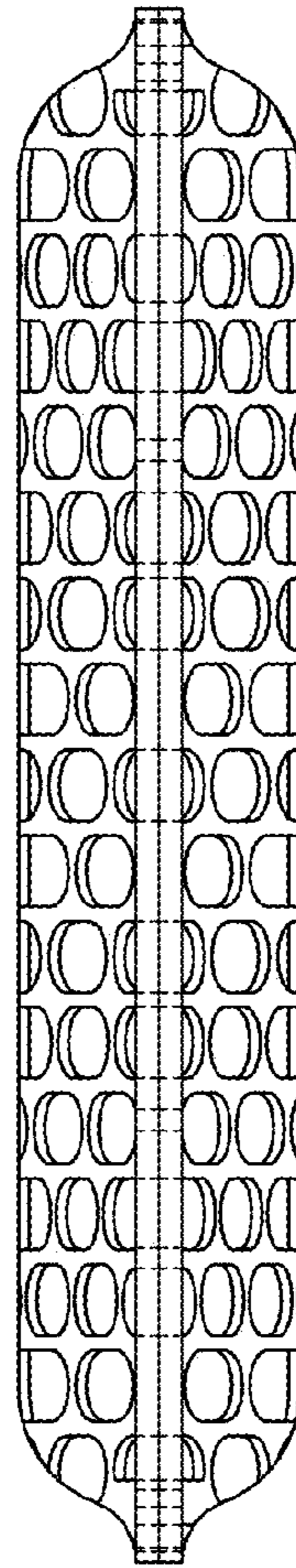


FIG. 4

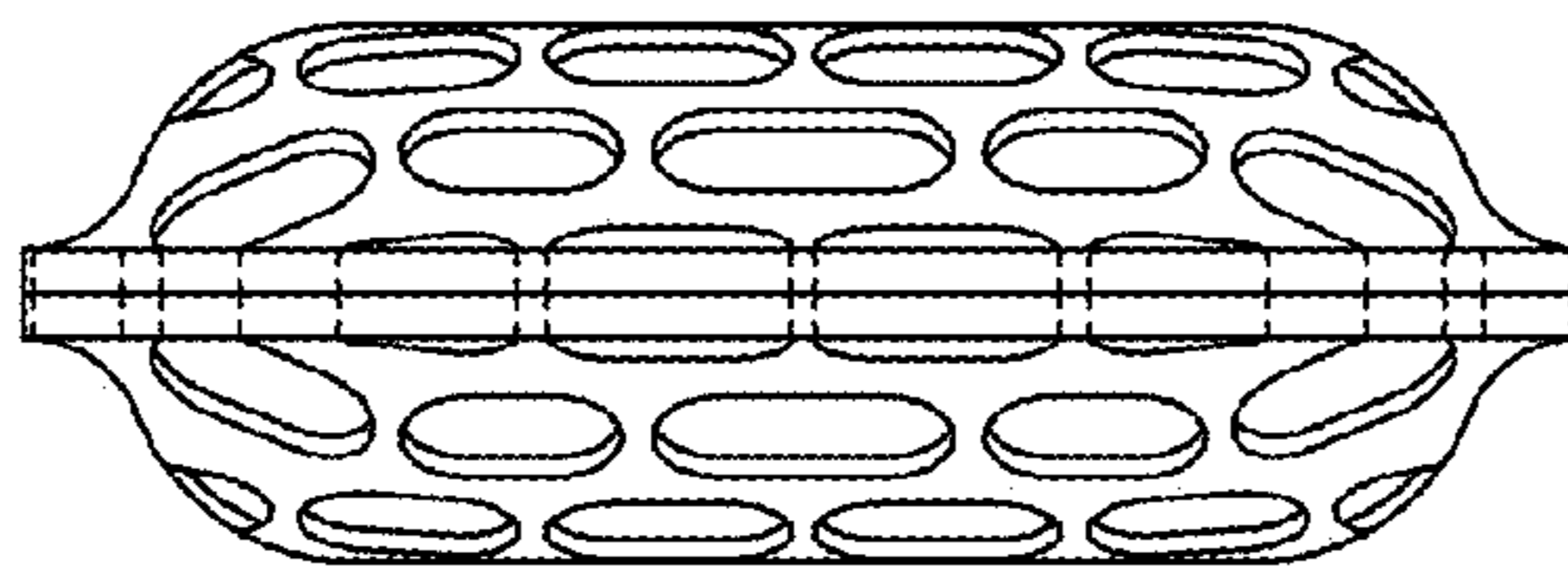


FIG. 5

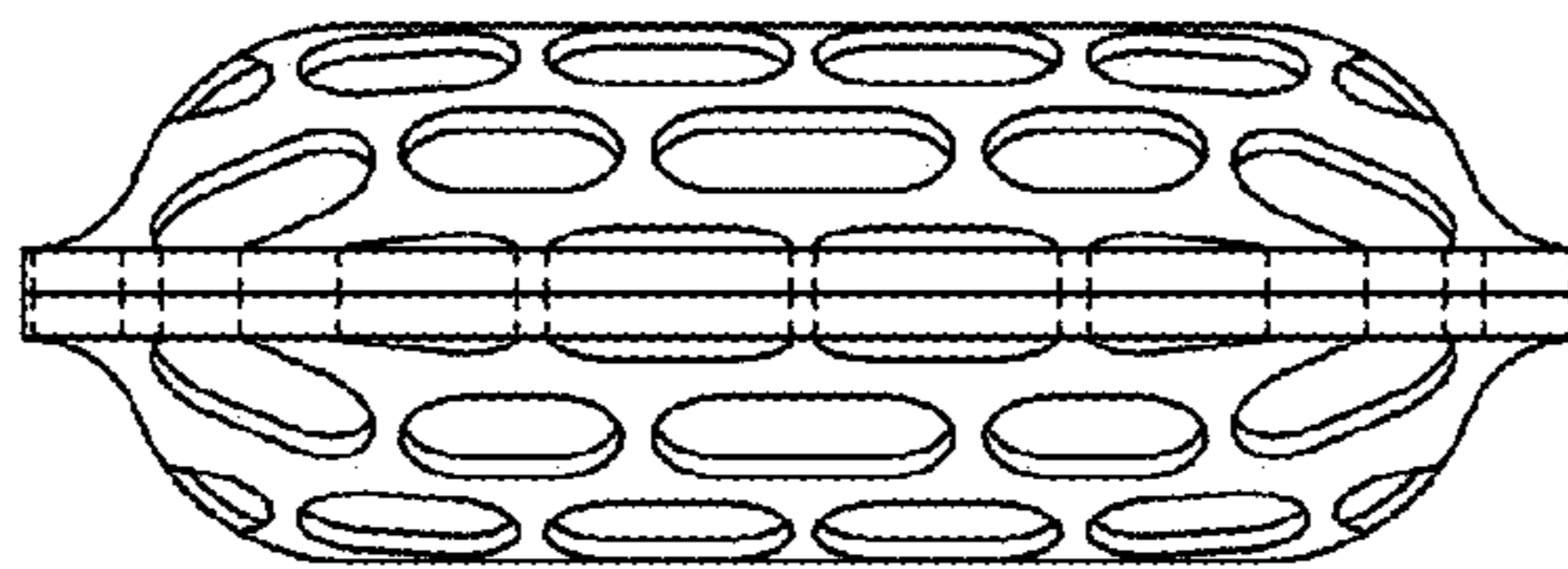


FIG. 6

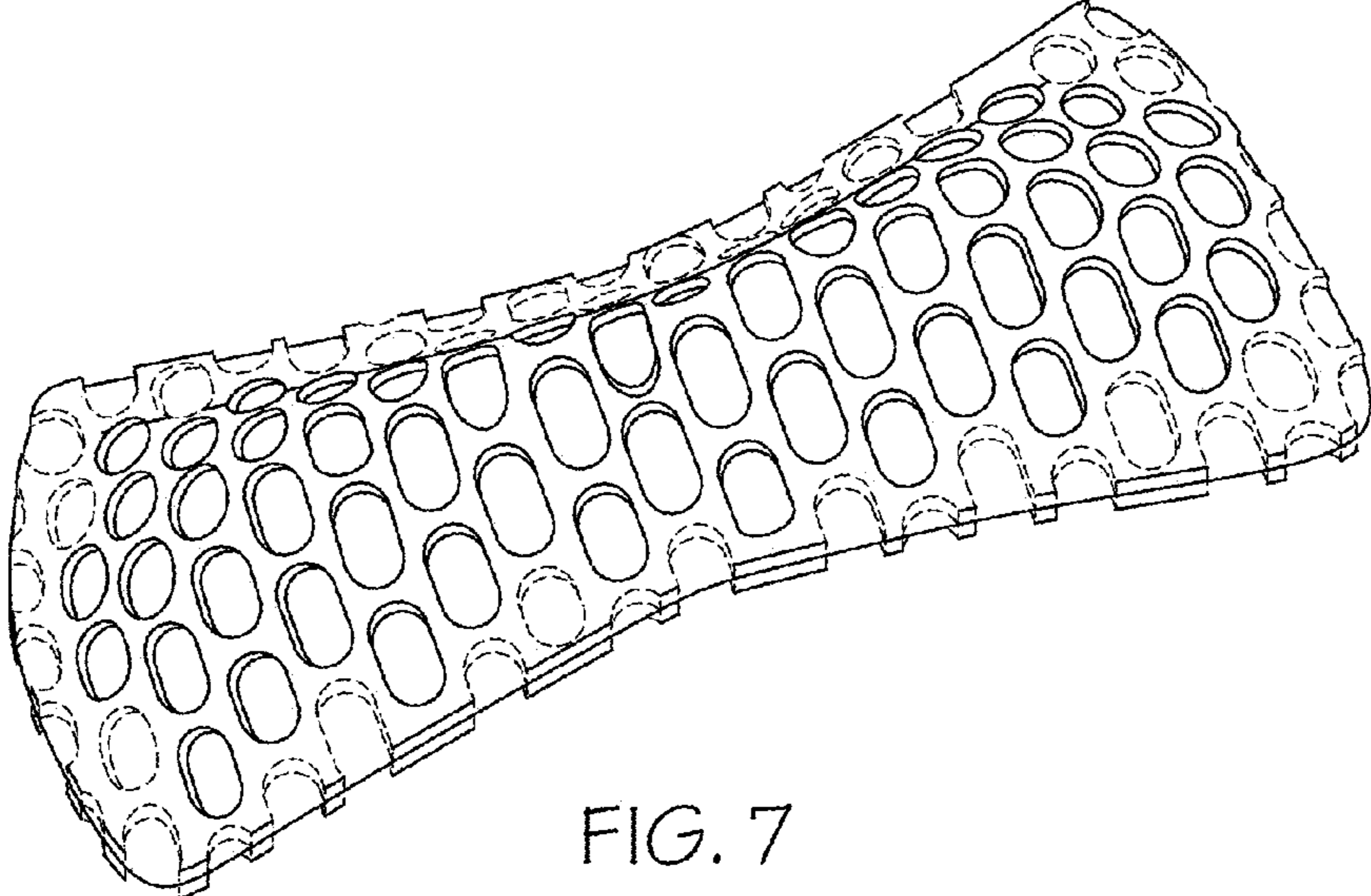


FIG. 7

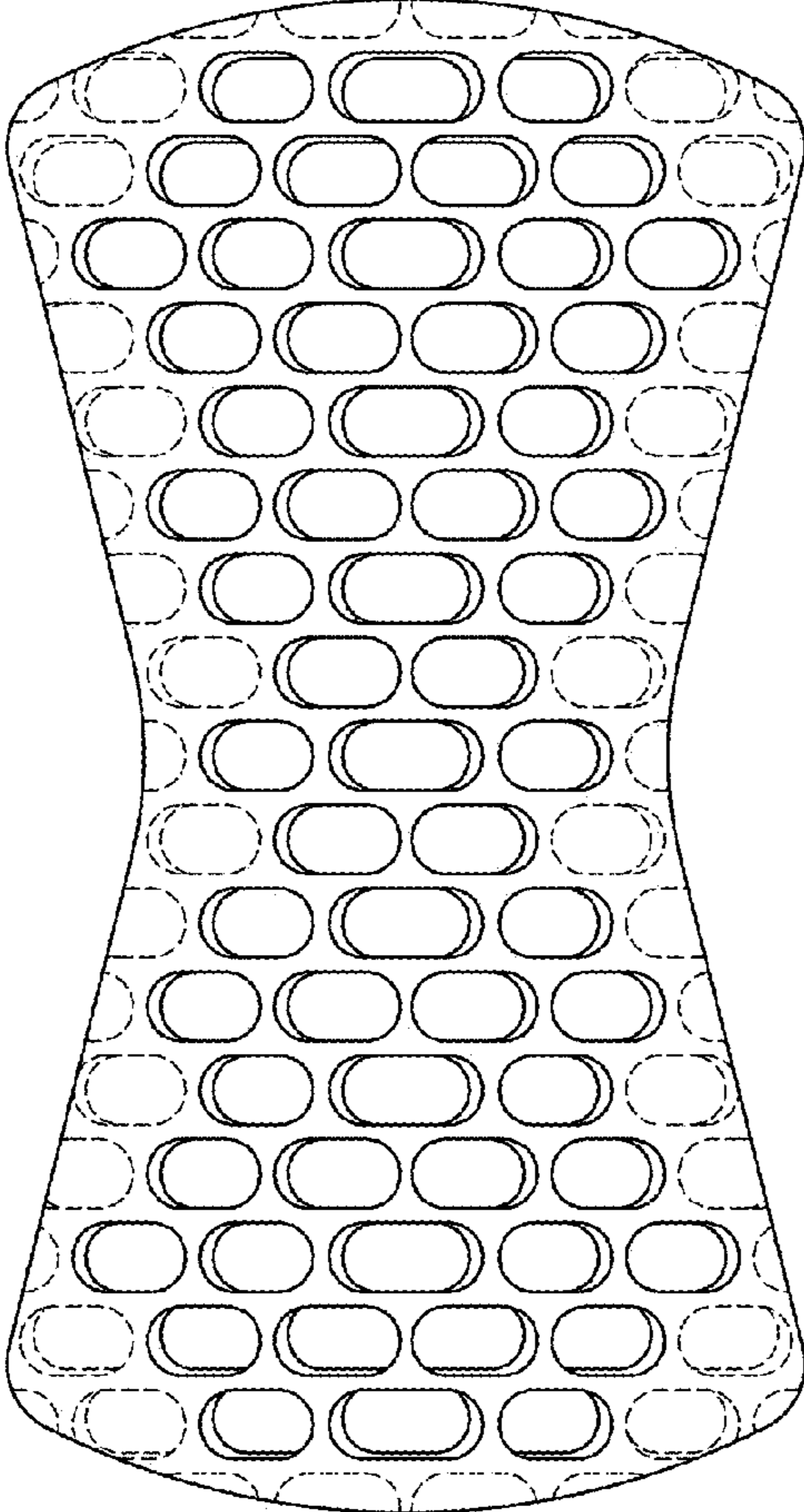


FIG. 8

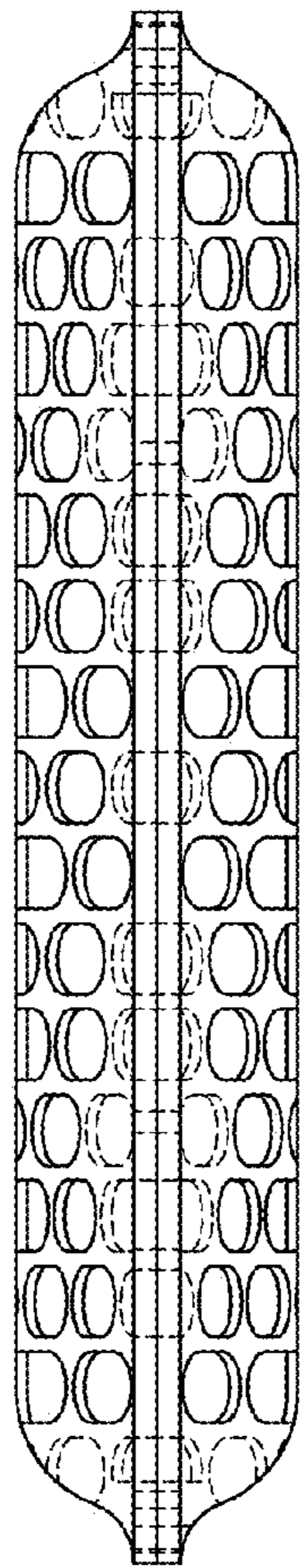


FIG. 9

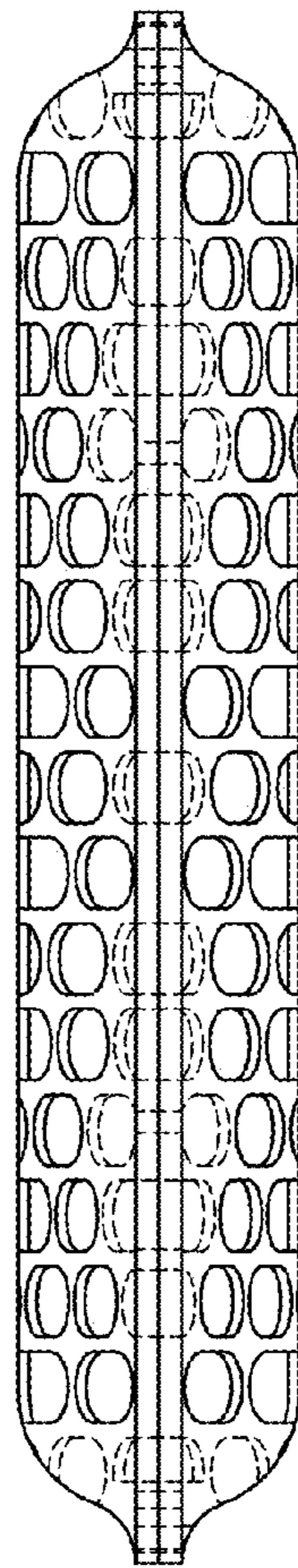


FIG. 10

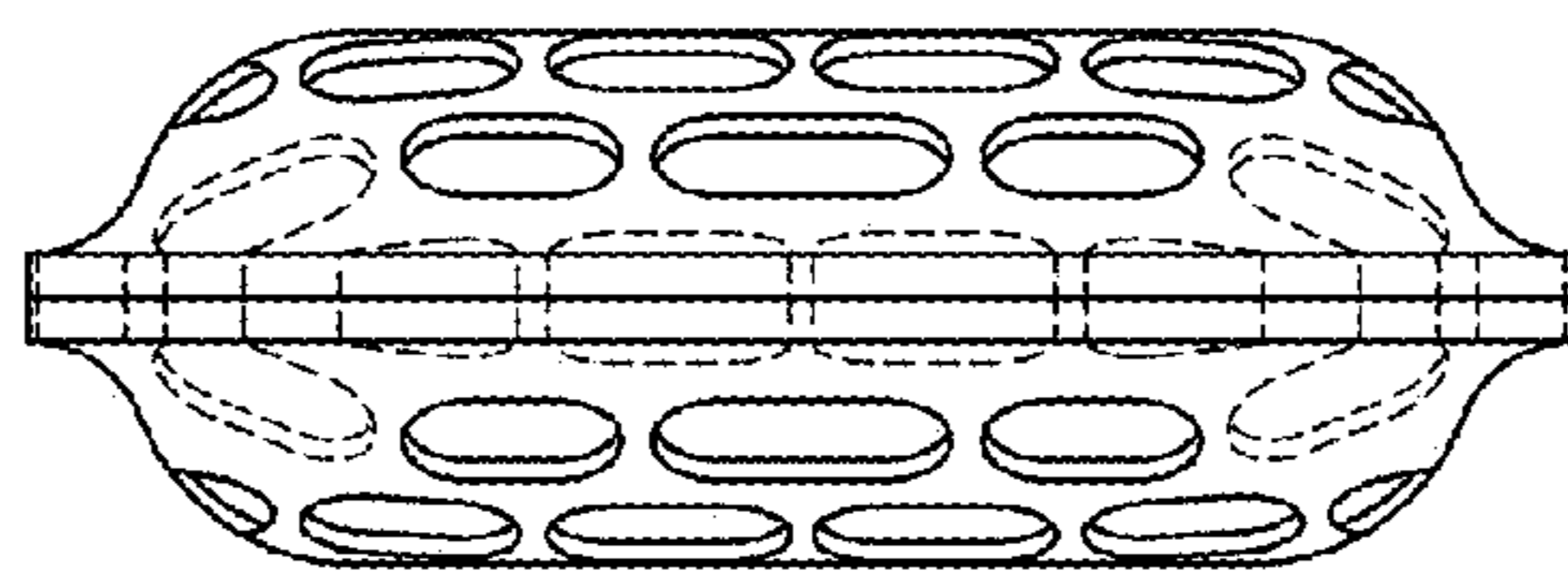


FIG. 11

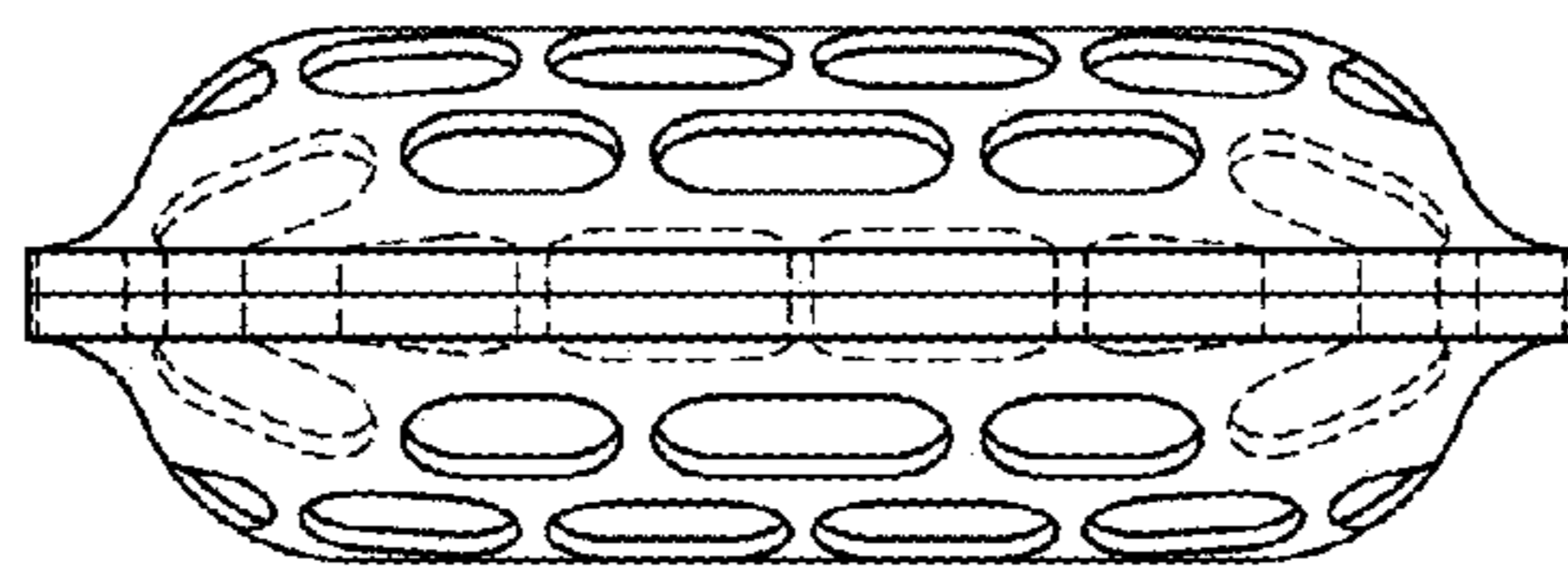


FIG. 12

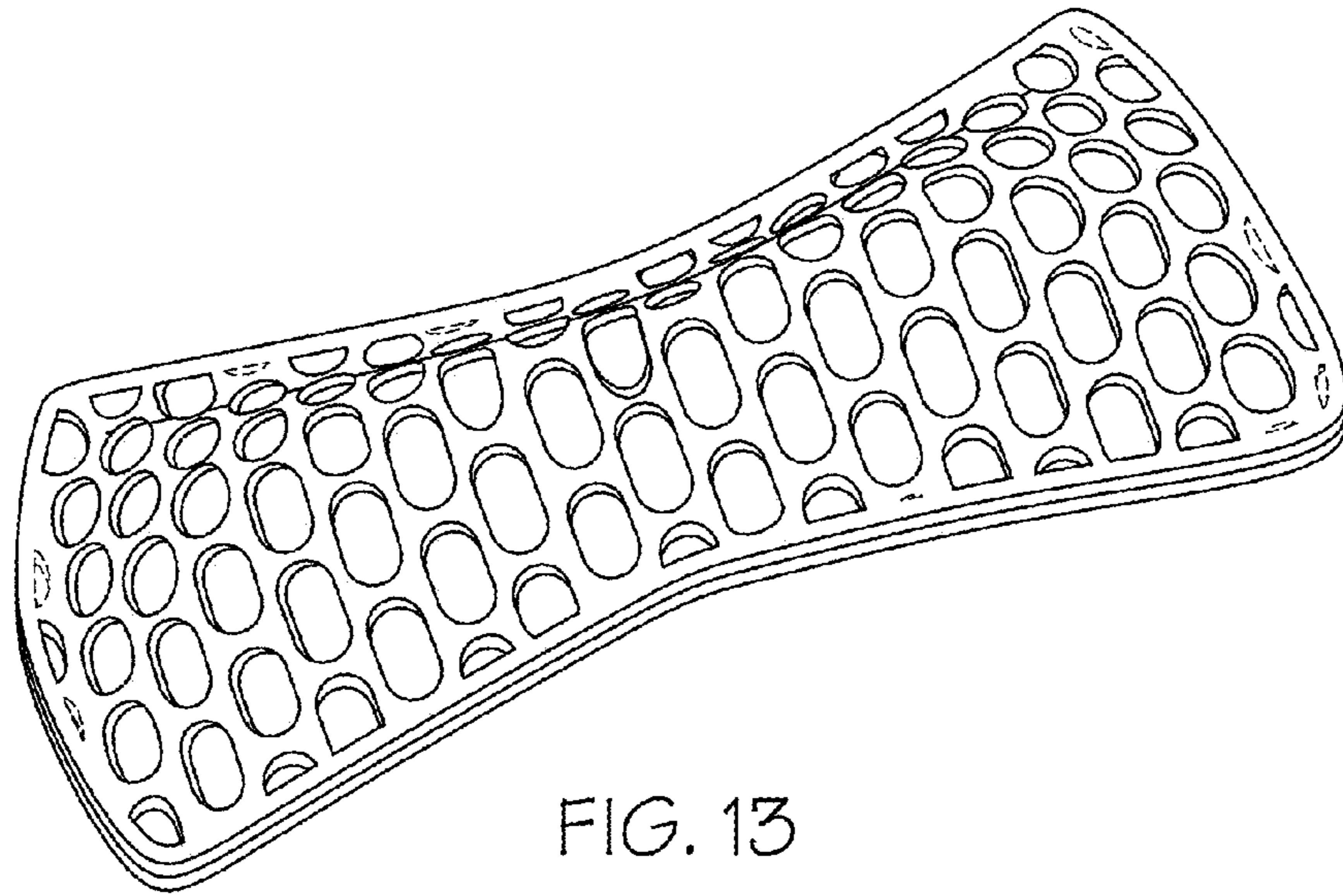


FIG. 13

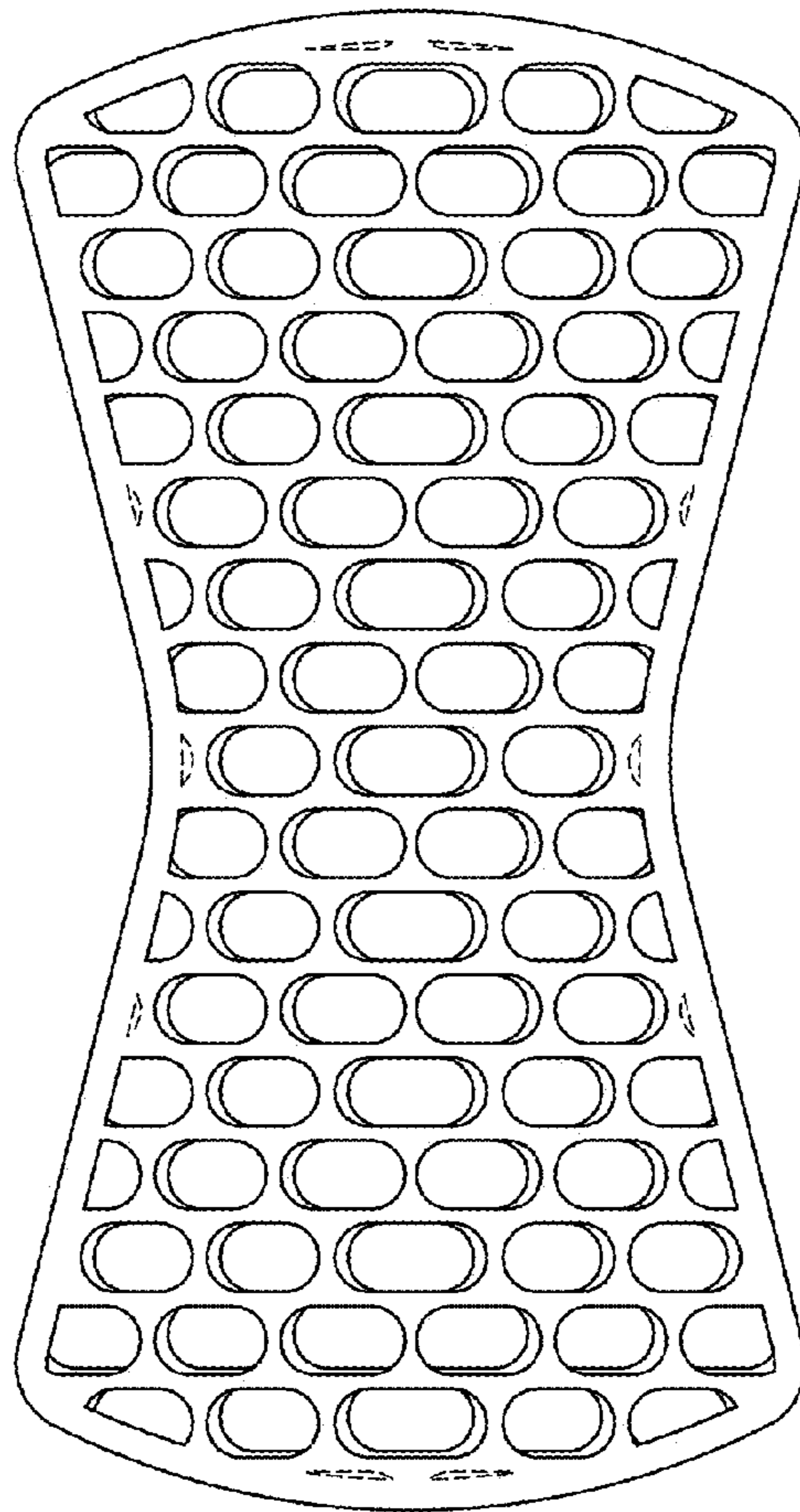


FIG. 14

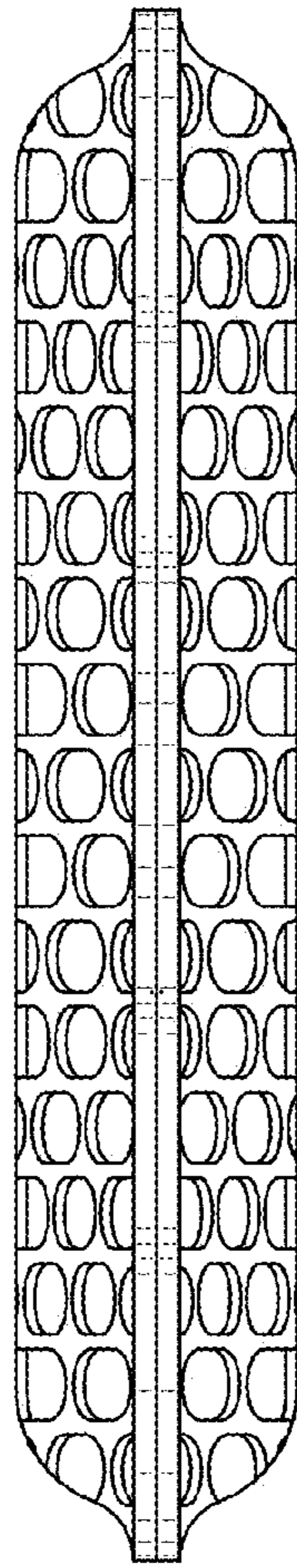


FIG. 15

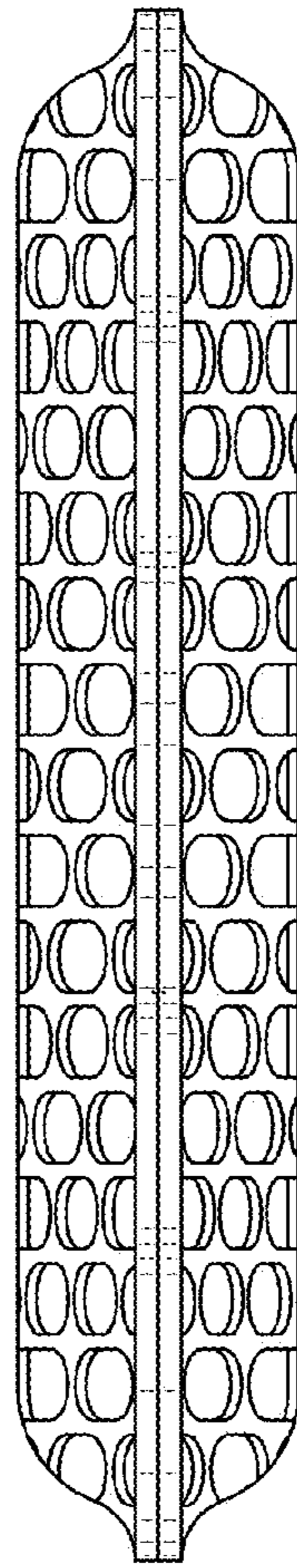


FIG. 16

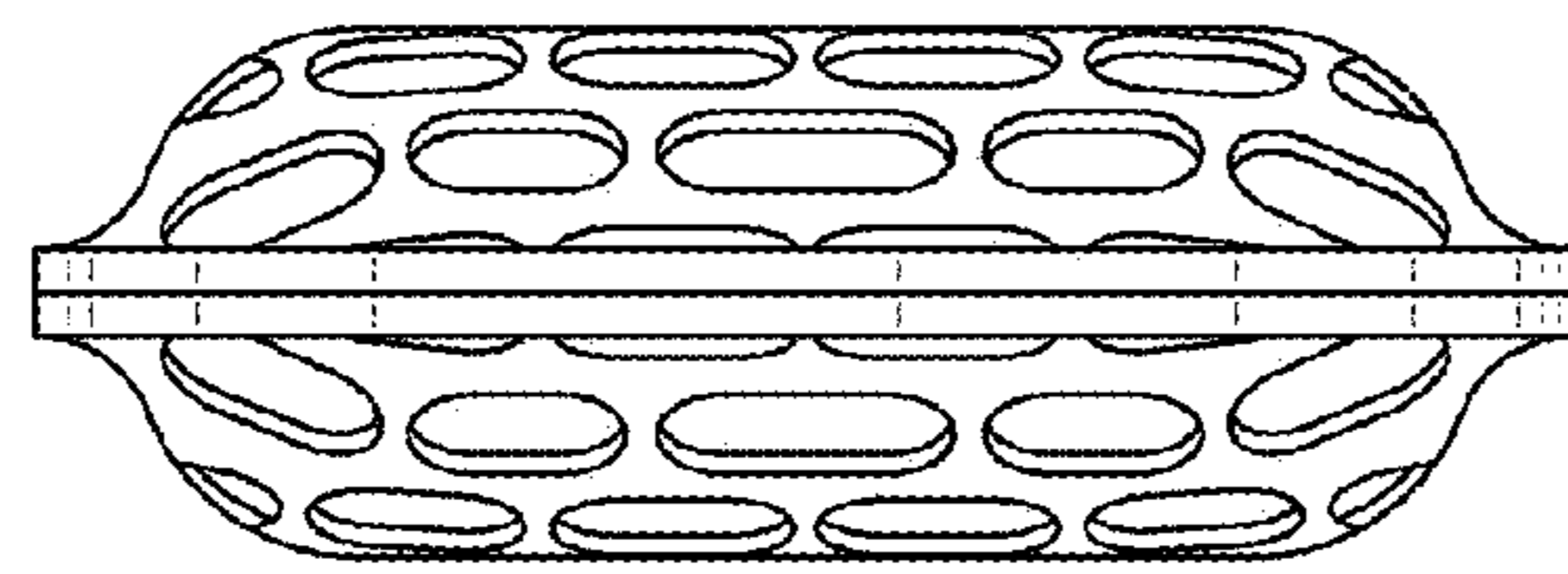


FIG. 17

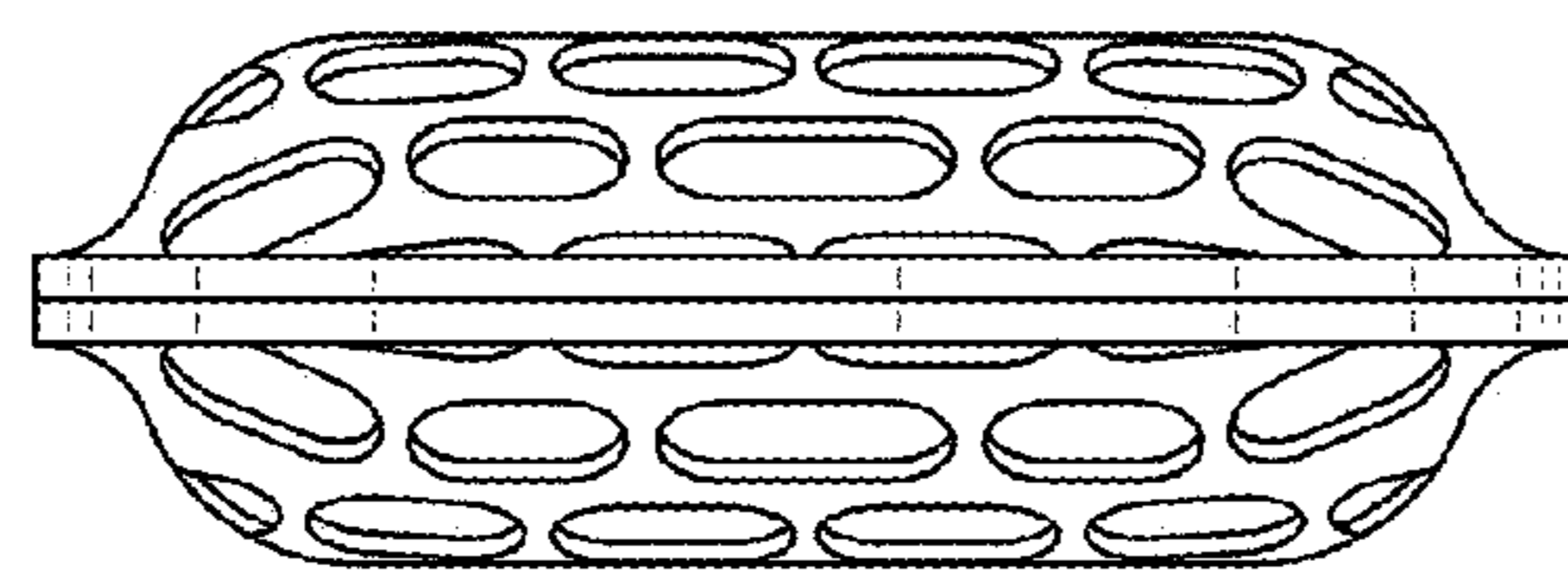


FIG. 18