



US00D748766S

(12) **United States Design Patent**
Haney et al.

(10) **Patent No.:** **US D748,766 S**
(45) **Date of Patent:** **** Feb. 2, 2016**

(54) **PIPE COUPLING SEGMENT**

(71) Applicant: **Victaulic Company**, Easton, PA (US)

(72) Inventors: **Craig Haney**, Nazareth, PA (US);
Loretta Marsicano, Palmer, PA (US);
Mark J. Sewell, Bethlehem, PA (US)

(73) Assignee: **Victaulic Company**, Easton, PA (US)

(**) Term: **15 Years**

(21) Appl. No.: **29/528,782**

(22) Filed: **Jun. 1, 2015**

Related U.S. Application Data

(62) Division of application No. 29/459,523, filed on Jul. 1, 2013.

(51) **LOC (10) Cl.** **23-01**

(52) **U.S. Cl.**
USPC **D23/262**

(58) **Field of Classification Search**
USPC D23/223, 226, 233, 259–269;
285/86–93, 179–182
CPC F16L 2201/20; F16L 2201/60; F16L
2201/10; F16L 37/133; F16L 37/0985; F16L
27/0845; F16L 43/008; B29C 66/5229
See application file for complete search history.

(56) **References Cited**

U.S. PATENT DOCUMENTS

D729,356 S * 5/2015 Kuehner D23/262

D731,031 S * 6/2015 Dole D23/262
D737,411 S * 8/2015 Sewell D23/262
D737,412 S * 8/2015 Yesavage D23/262
D740,921 S * 10/2015 Kuehner D23/262
D743,006 S * 11/2015 Marsicano D23/262

* cited by examiner

Primary Examiner — Kevin Rudzinski

Assistant Examiner — John Reickel

(74) *Attorney, Agent, or Firm* — Ballard Spahr LLP

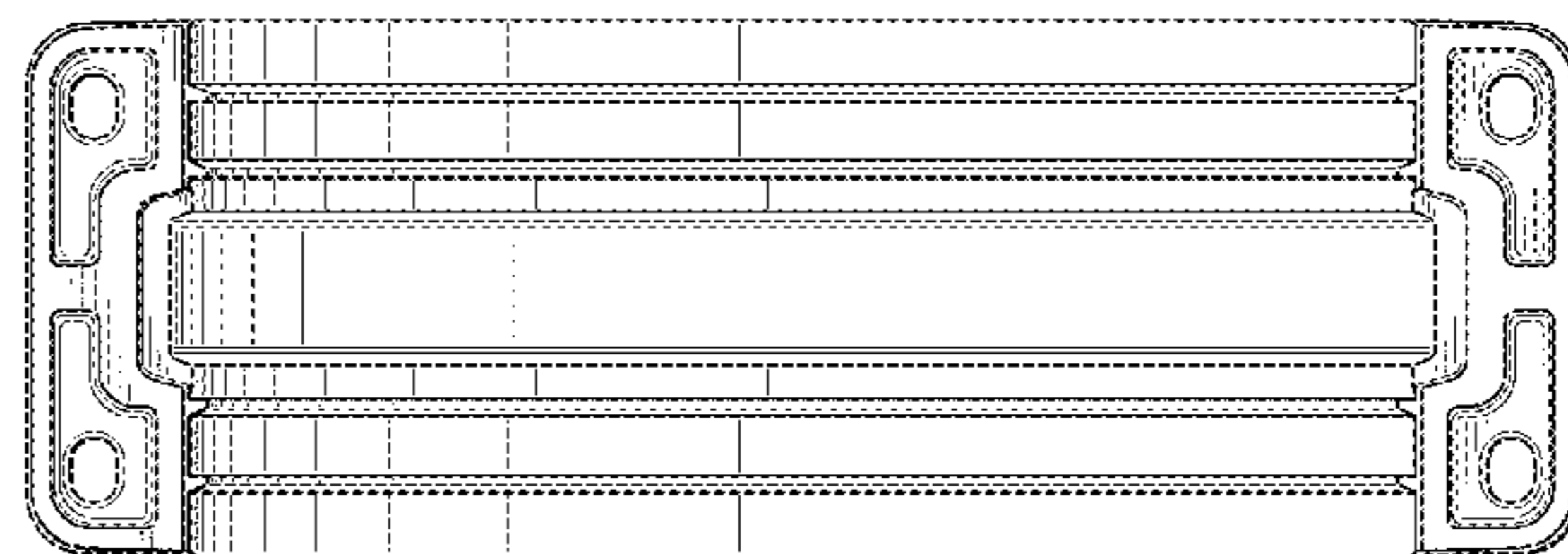
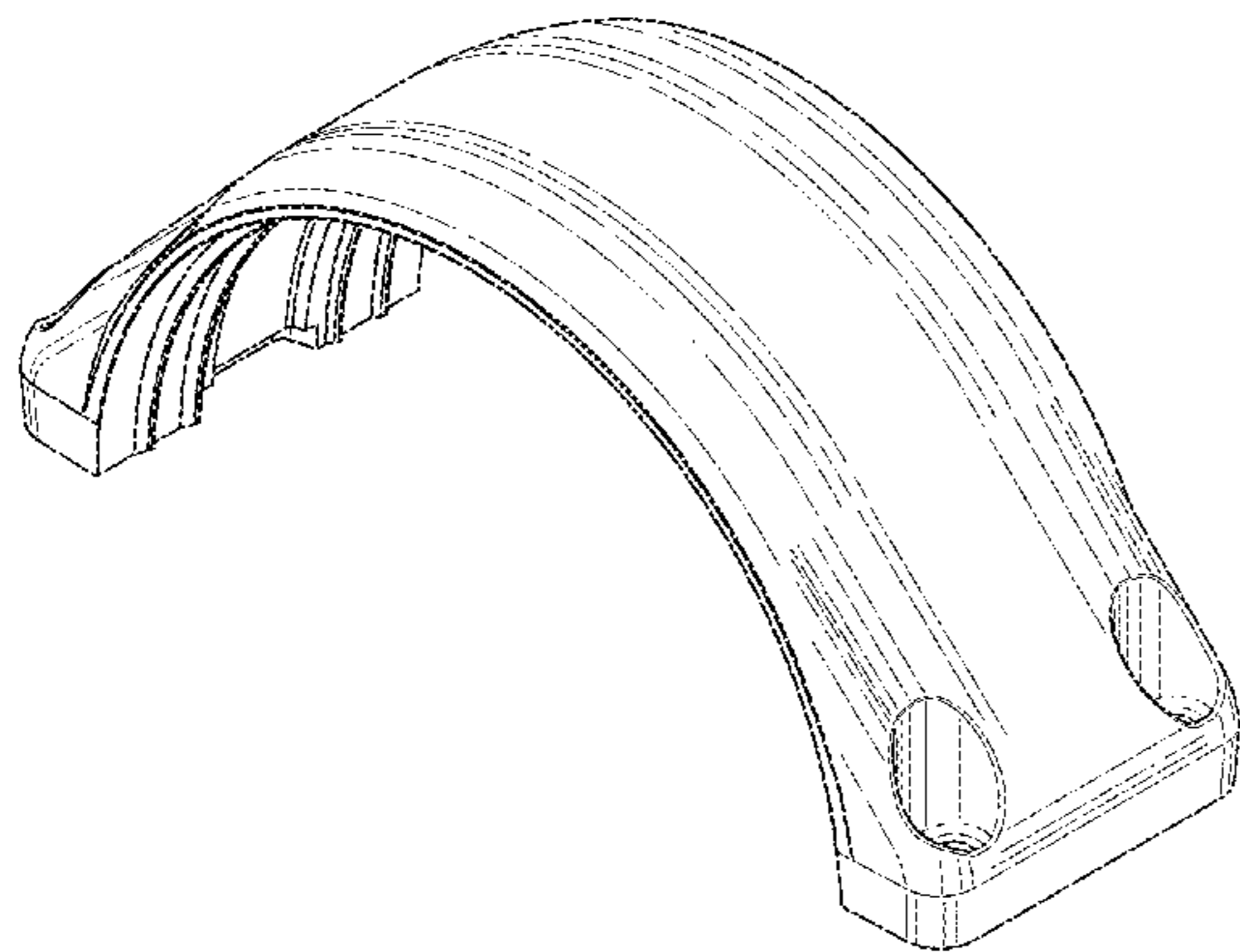
(57) **CLAIM**

We claim the ornamental design for a pipe coupling segment, as shown and described.

DESCRIPTION

FIG. 1 is an isometric view of a design of a pipe coupling segment according to our invention;
FIG. 2 is a left side view of the pipe coupling segment shown in FIG. 1;
FIG. 3 is a right side view of the pipe coupling segment shown in FIG. 1;
FIG. 4 is a left end view of the pipe coupling segment shown in FIG. 1, the right end view being identical;
FIG. 5 is a top view of the pipe coupling segment shown in FIG. 1; and,
FIG. 6 is a bottom view of the pipe coupling segment shown in FIG. 1.

1 Claim, 3 Drawing Sheets



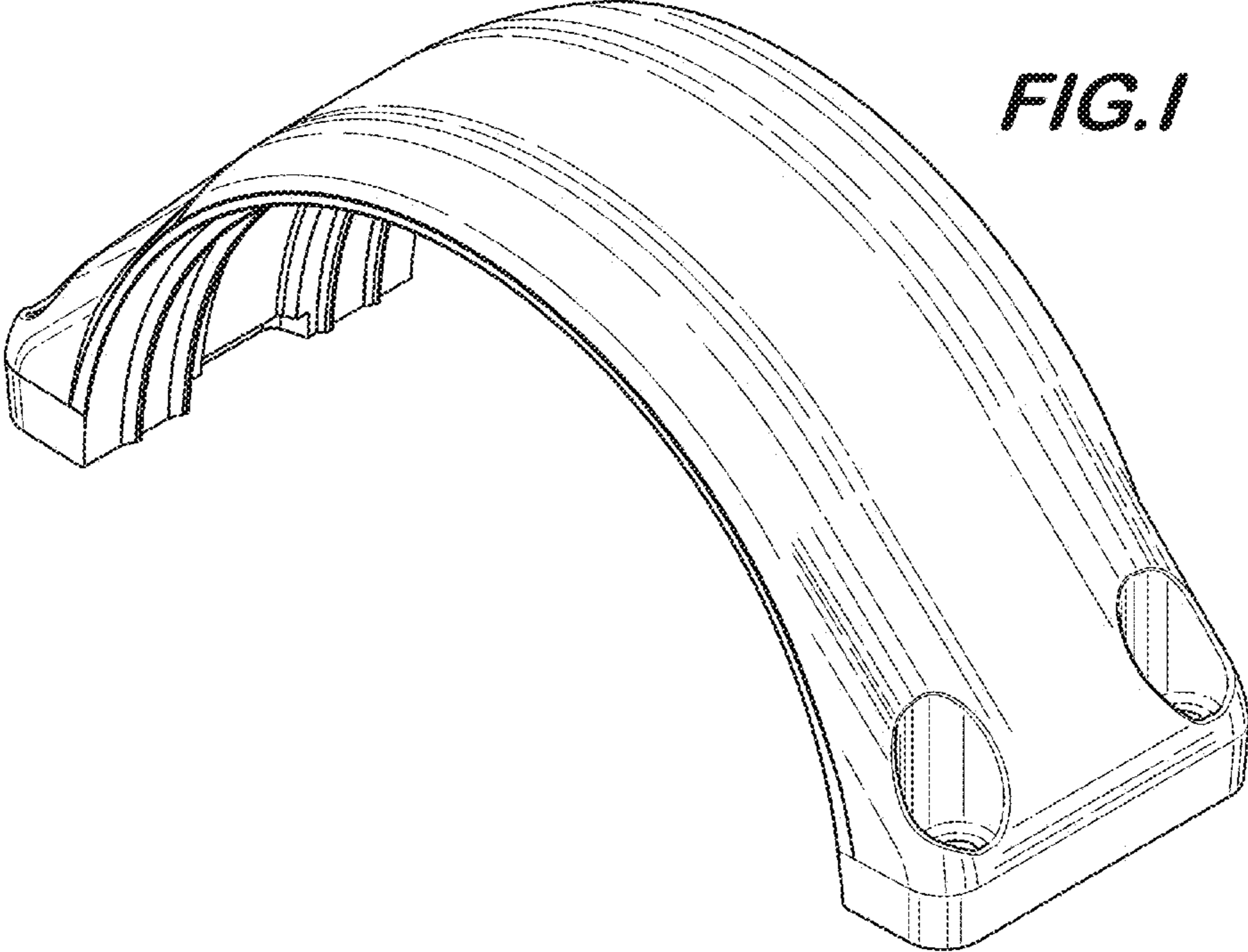


FIG. 1

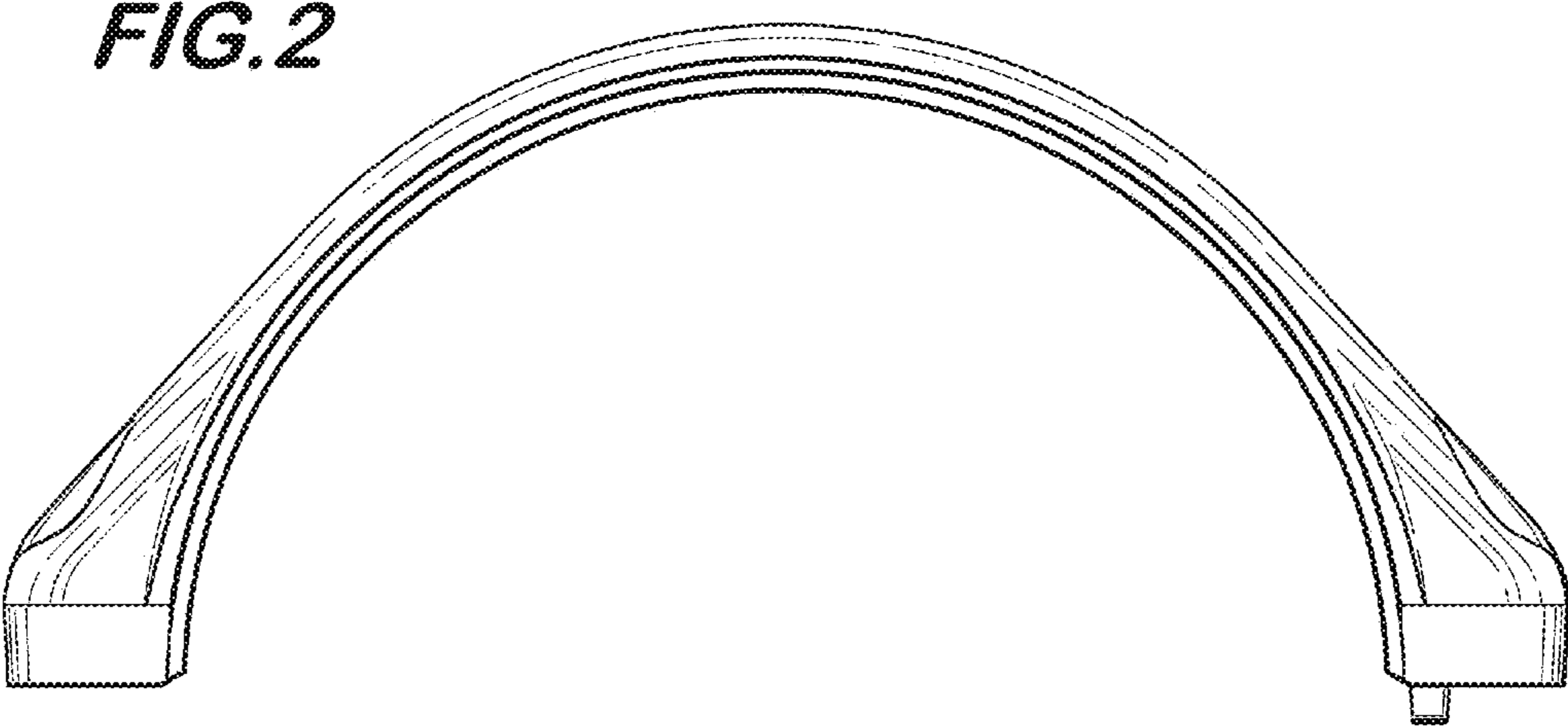


FIG. 2

FIG.3

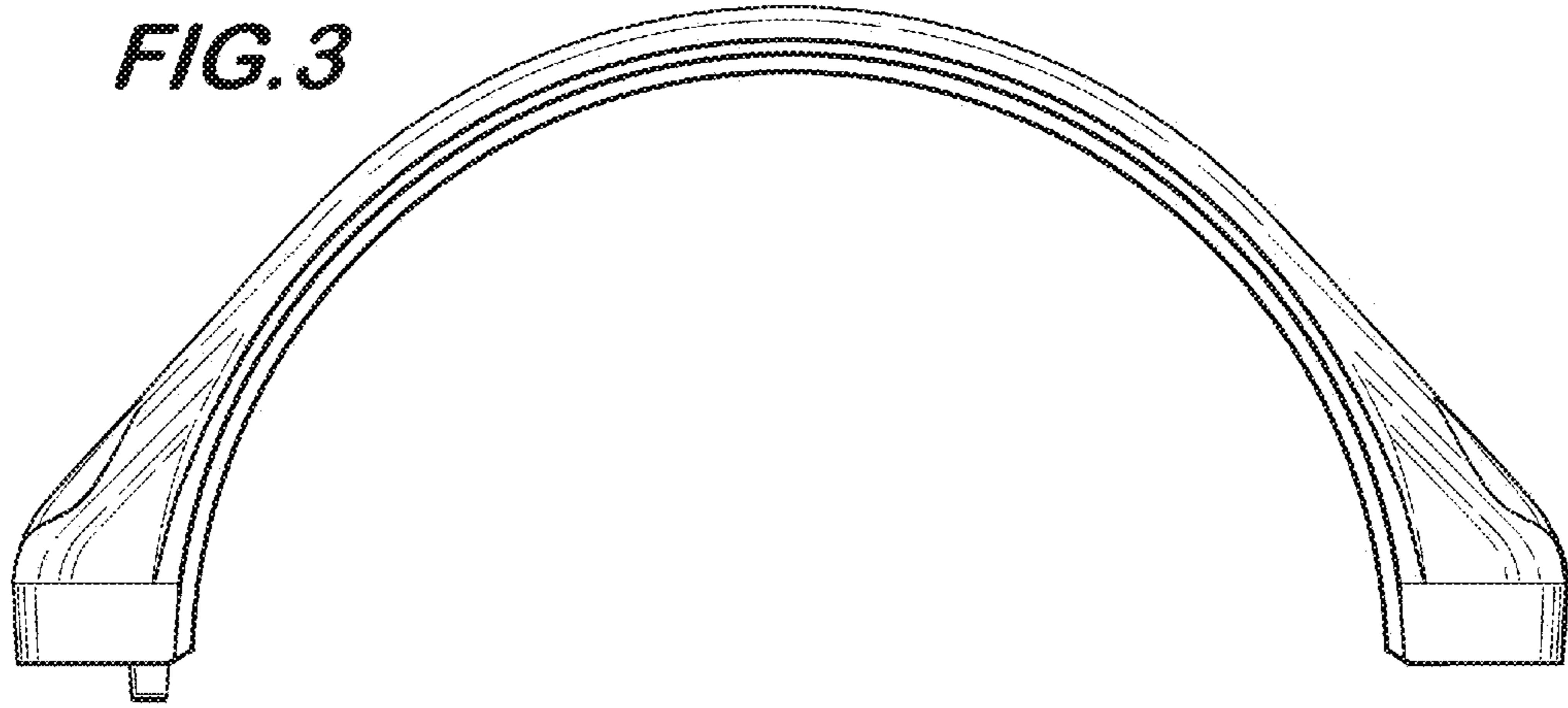


FIG.4

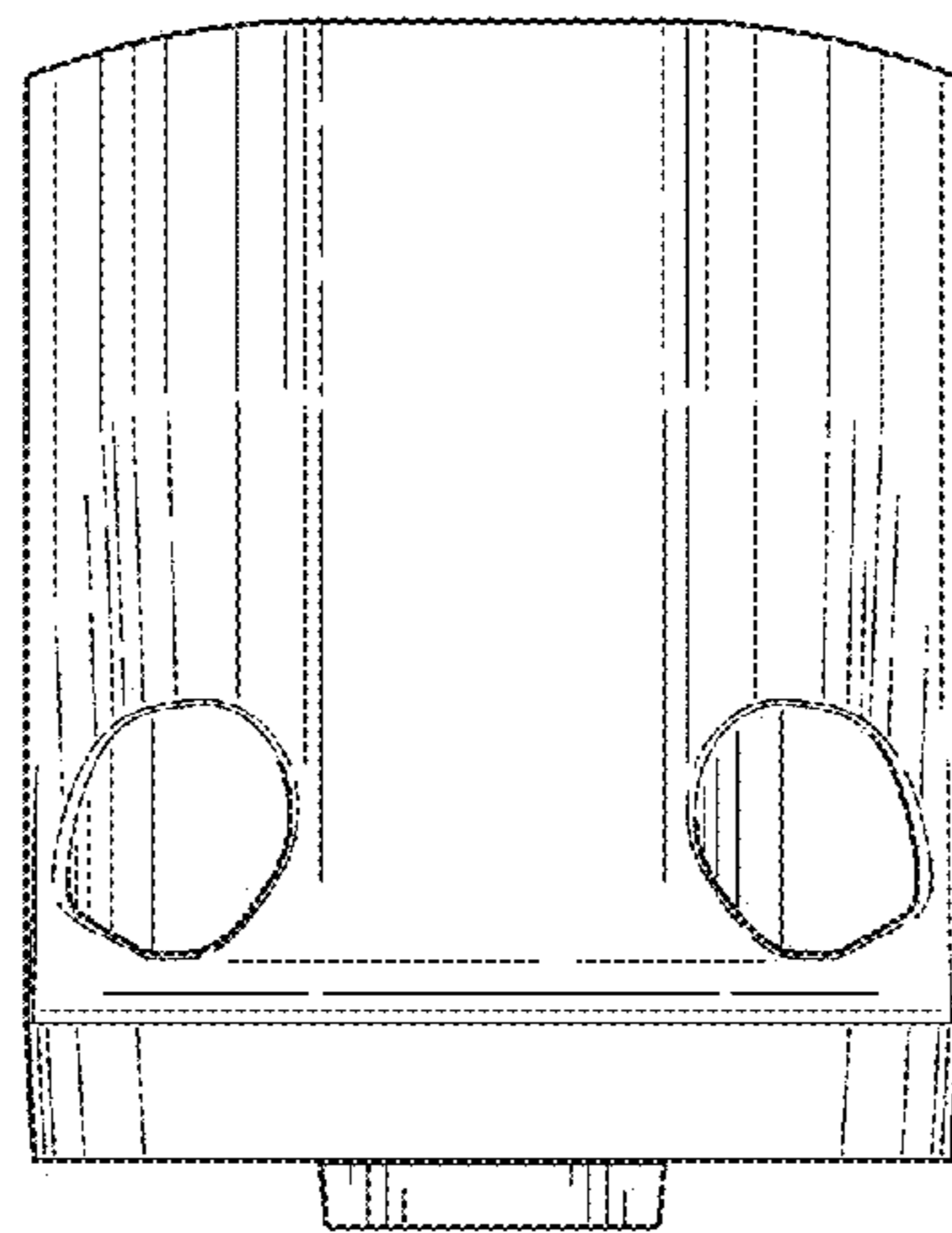


FIG. 5

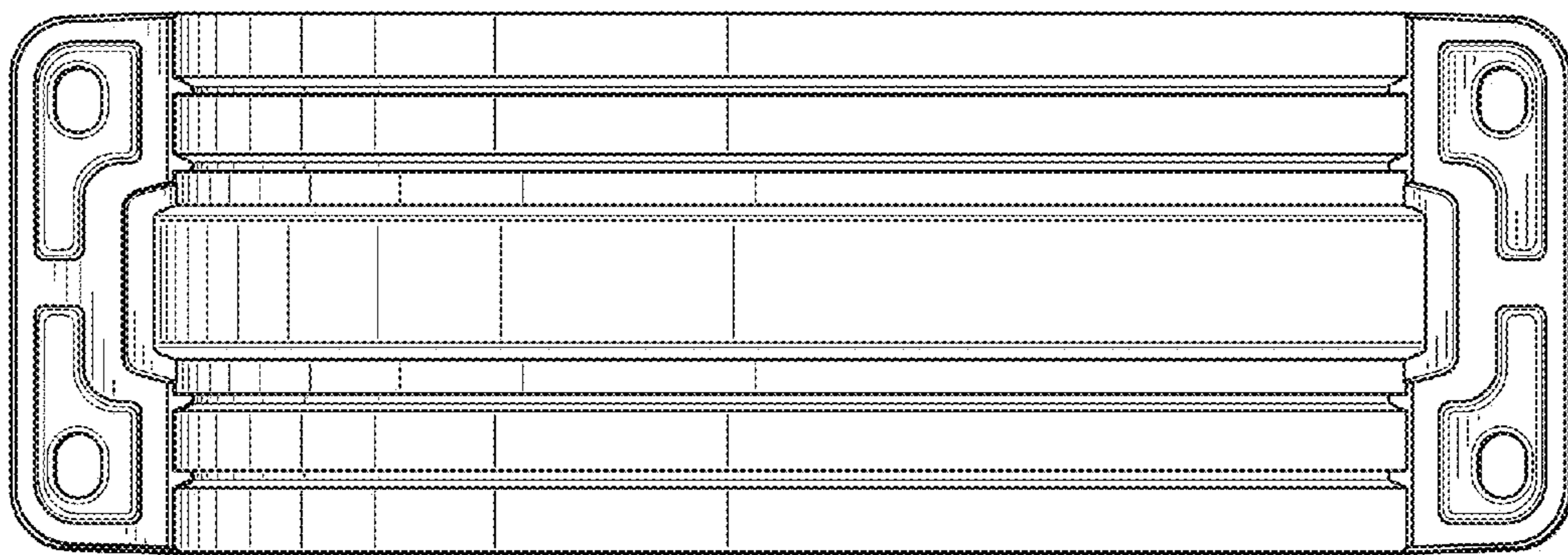
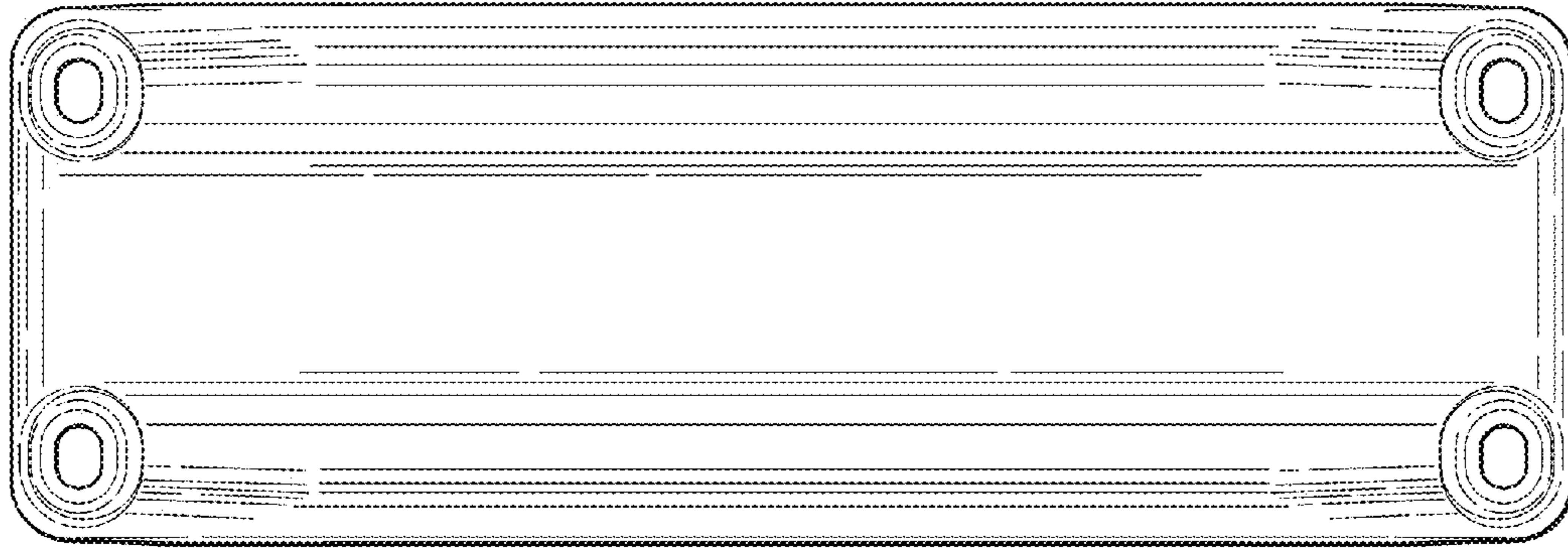


FIG. 6