



US00D748765S

(12) **United States Design Patent**  
**Sewell et al.**

(10) **Patent No.:** **US D748,765 S**  
(45) **Date of Patent:** **\*\* Feb. 2, 2016**

(54) **PIPE COUPLING SEGMENT**

(71) Applicant: **Victaulic Company**, Easton, PA (US)

(72) Inventors: **Mark J. Sewell**, Bethlehem, PA (US);  
**Craig Haney**, Nazareth, PA (US);  
**Loretta Marsicano**, Palmer, PA (US)

(73) Assignee: **Victaulic Company**, Easton, PA (US)

(\*\*) Term: **15 Years**

(21) Appl. No.: **29/528,777**

(22) Filed: **Jun. 1, 2015**

**Related U.S. Application Data**

(62) Division of application No. 29/459,520, filed on Jul. 1, 2013, now Pat. No. Des. 737,411.

(51) **LOC (10) Cl.** ..... **23-01**

(52) **U.S. Cl.**  
USPC ..... **D23/262**

(58) **Field of Classification Search**  
USPC ..... D23/223, 226, 233, 259–269;  
285/86–93, 179–182

CPC ..... F16L 2201/20; F16L 2201/60; F16L  
2201/10; F16L 37/133; F16L 37/0985; F16L  
27/0845; F16L 43/008; B29C 66/5229

See application file for complete search history.

(56) **References Cited**

U.S. PATENT DOCUMENTS

|              |         |           |       |         |
|--------------|---------|-----------|-------|---------|
| D729,356 S * | 5/2015  | Kuehner   | ..... | D23/262 |
| D731,031 S * | 6/2015  | Dole      | ..... | D23/262 |
| D736,356 S * | 8/2015  | Haney     | ..... | D23/262 |
| D737,412 S * | 8/2015  | Yesavage  | ..... | D23/262 |
| D740,921 S * | 10/2015 | Kuehner   | ..... | D23/262 |
| D743,006 S * | 11/2015 | Marsicano | ..... | D23/262 |

\* cited by examiner

*Primary Examiner* — Kevin Rudzinski

*Assistant Examiner* — John Reickel

(74) *Attorney, Agent, or Firm* — Ballard Spahr LLP

(57) **CLAIM**

We claim the ornamental design for a pipe coupling segment, as shown and described.

**DESCRIPTION**

FIG. 1 is an isometric view of a design of a pipe coupling segment according to our invention;

FIG. 2 is a left side view of the pipe coupling segment shown in FIG. 1;

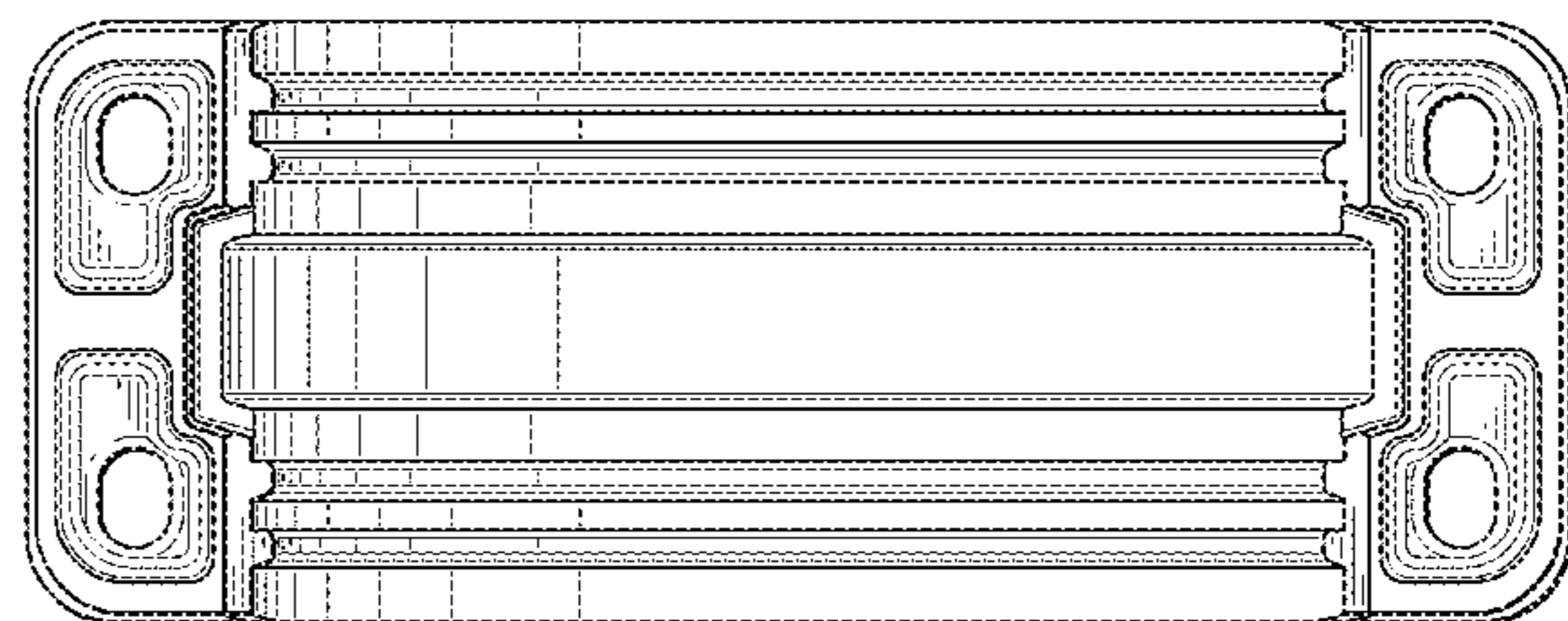
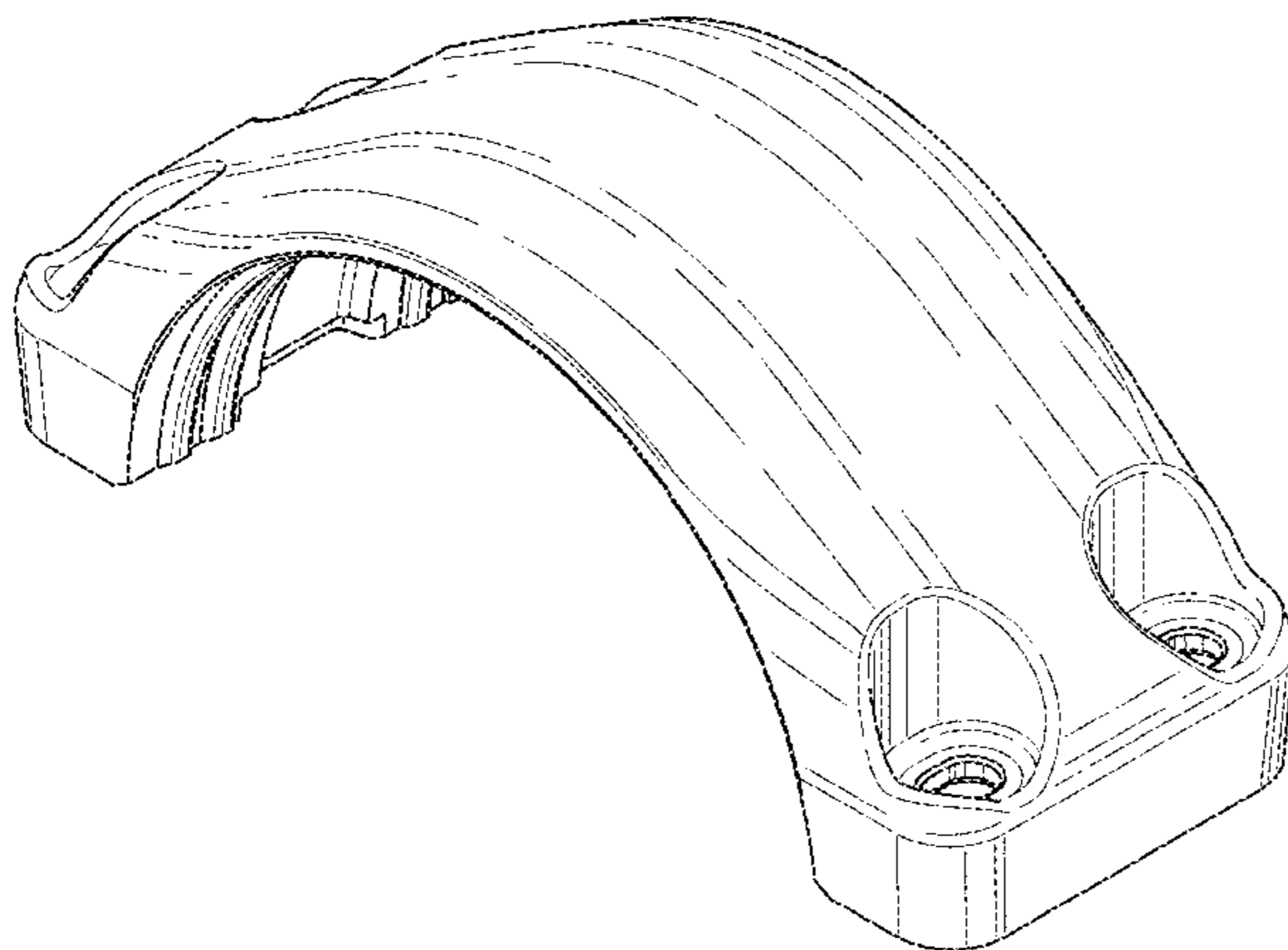
FIG. 3 is a right side view of the pipe coupling segment shown in FIG. 1;

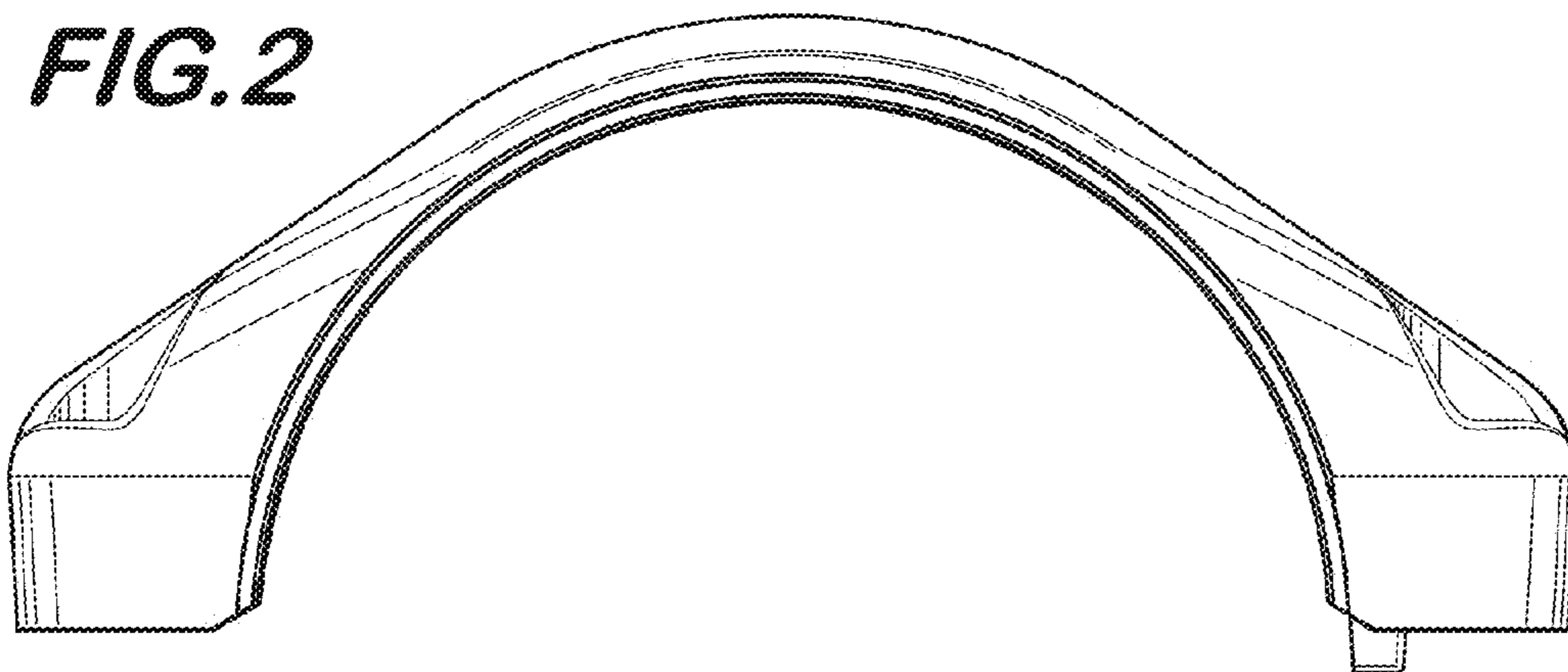
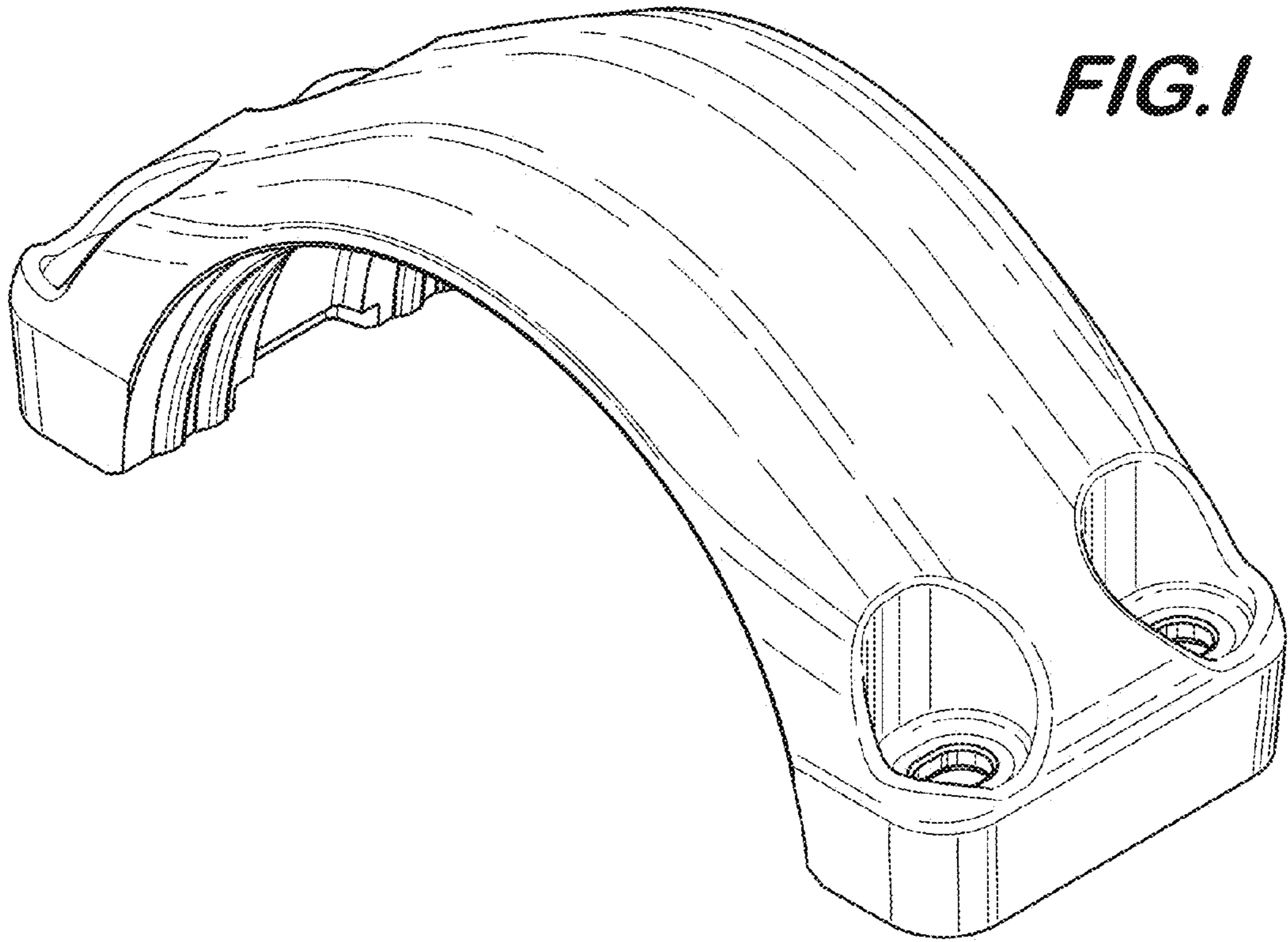
FIG. 4 is a left end view of the pipe coupling segment shown in FIG. 1, the right end view being identical;

FIG. 5 is a top view of the pipe coupling segment shown in FIG. 1; and,

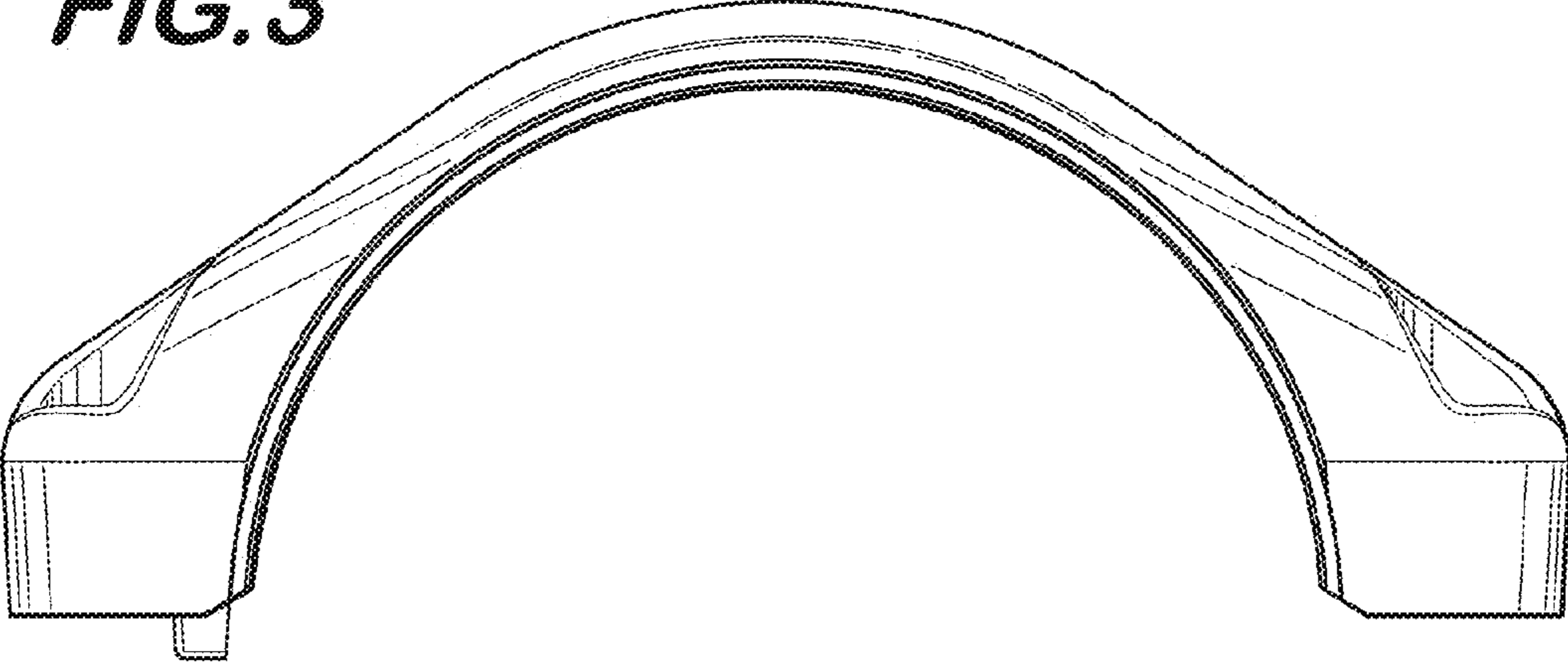
FIG. 6 is a bottom view of the pipe coupling segment shown in FIG. 1.

**1 Claim, 3 Drawing Sheets**

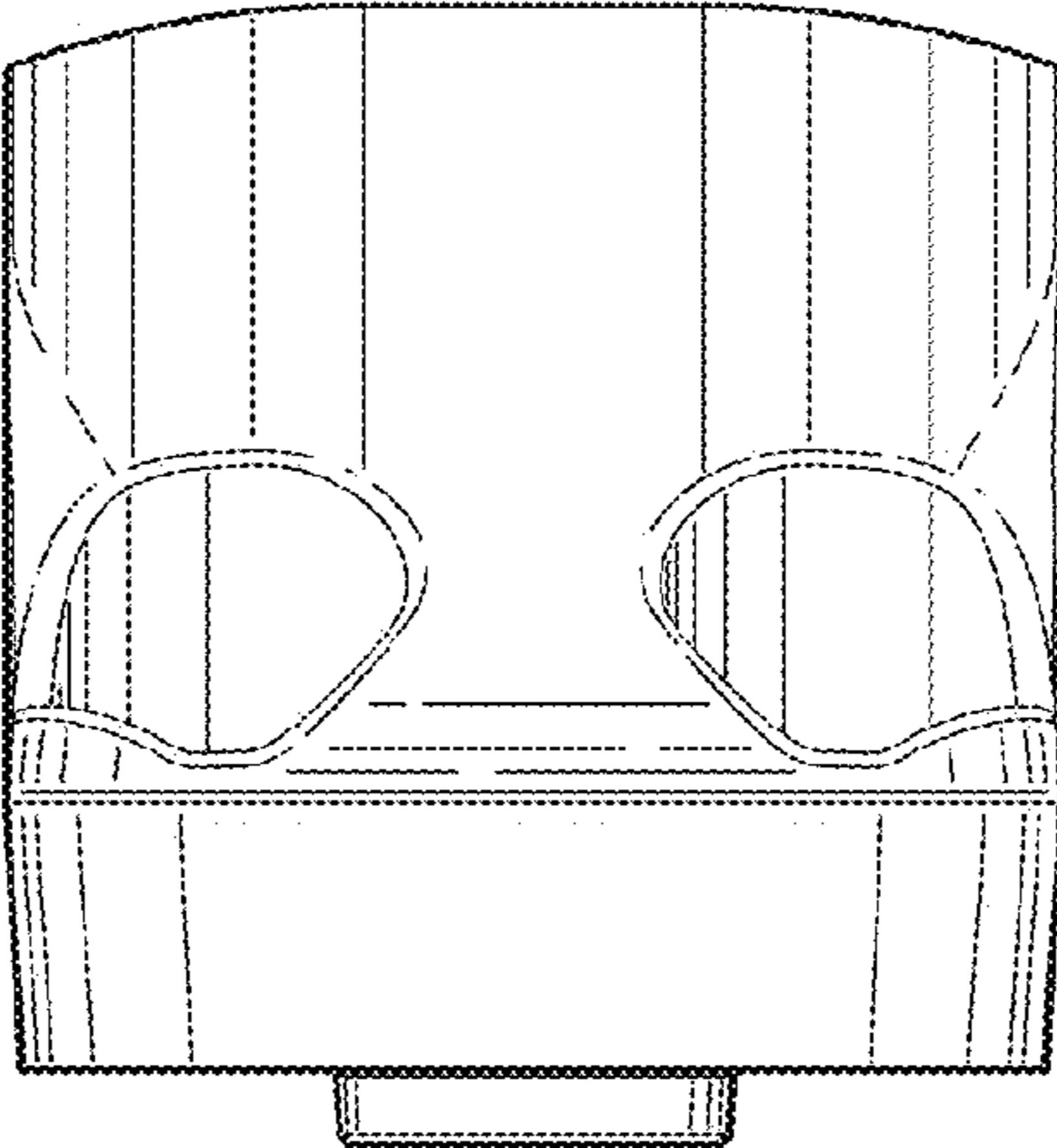




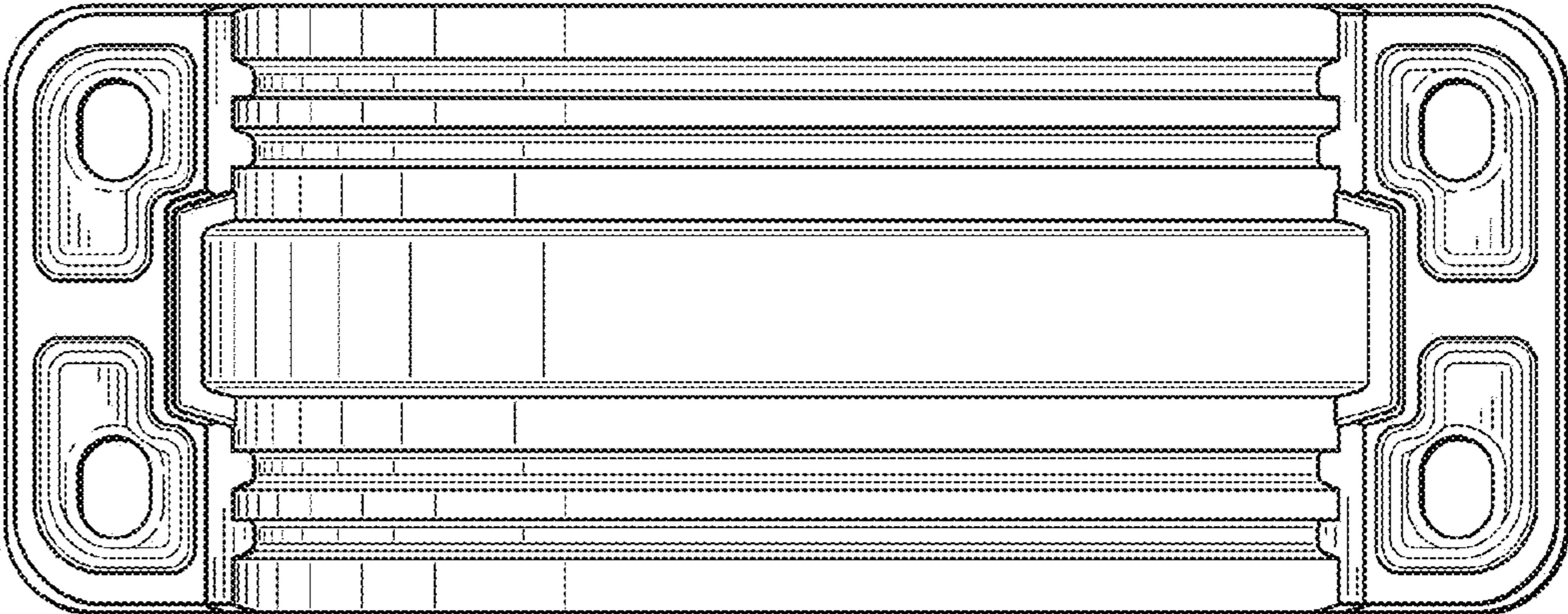
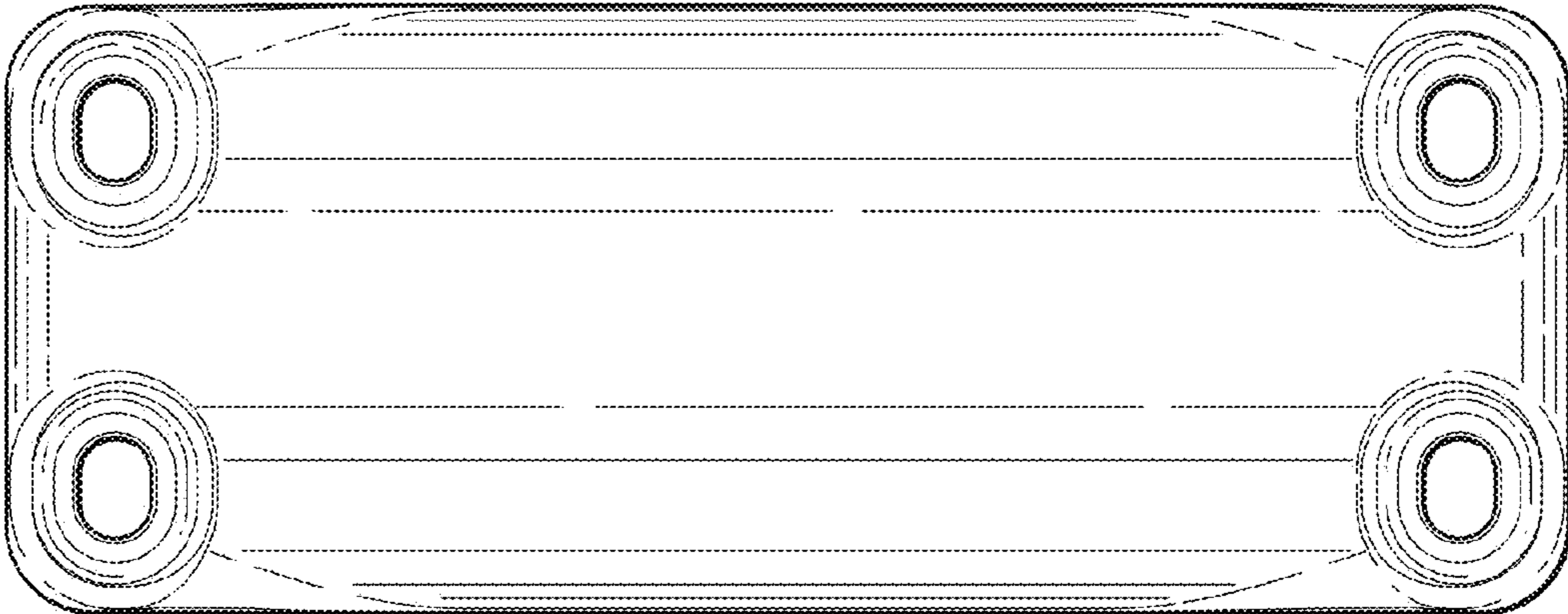
**FIG. 3**



**FIG. 4**



**FIG. 5**



**FIG. 6**