



US00D748762S

(12) **United States Design Patent**  
**Näslund**

(10) **Patent No.:** **US D748,762 S**  
(45) **Date of Patent:** **\*\* Feb. 2, 2016**

(54) **HOSE CONNECTOR**  
(71) Applicant: **Husqvarna AB**, Huskvarna (SE)  
(72) Inventor: **Jens Näslund**, Johanneshov (SE)  
(73) Assignee: **HUSQVARNA AB**, Huskvarna (SE)  
(\*\*) Term: **14 Years**

D483,096 S \* 12/2003 Gotoh ..... D23/235  
D575,377 S \* 8/2008 Roman ..... D23/259  
D597,183 S \* 7/2009 Choi ..... D23/263  
D632,764 S \* 2/2011 Cheng ..... D23/262  
D648,008 S \* 11/2011 Percoco ..... D23/262  
D679,784 S \* 4/2013 Meyer ..... D23/262  
D687,528 S \* 8/2013 Meyer ..... D23/262  
D711,516 S \* 8/2014 Guest ..... D23/262  
D712,014 S \* 8/2014 Guest ..... D23/262

(Continued)

(21) Appl. No.: **29/500,490**

(22) Filed: **Aug. 26, 2014**

(30) **Foreign Application Priority Data**

Mar. 13, 2014 (EM) ..... 002424465-0007

(51) **LOC (10) Cl.** ..... **23-01**

(52) **U.S. Cl.**  
USPC ..... **D23/262**

(58) **Field of Classification Search**  
USPC ..... D23/259-263, 266-269, 233; 251/215,  
251/216; 285/369, 372, 373, 417, 133.11,  
285/133.3, 133.21, 133.4, 133.5, 133.6  
CPC ..... F16L 11/00; F16L 37/252; F16L 41/007;  
E03C 1/26; E03C 1/262; E03C 1/28; E03F  
5/04; A61B 5/00; A61M 25/09016

See application file for complete search history.

(56) **References Cited**

**U.S. PATENT DOCUMENTS**

D299,267 S \* 1/1989 Roman ..... D23/262  
D320,842 S \* 10/1991 Roman ..... D23/262  
D334,617 S \* 4/1993 Roman ..... D23/262  
D437,919 S \* 2/2001 Chao ..... D23/262  
D458,352 S \* 6/2002 Chen ..... D23/262  
D473,633 S \* 4/2003 Chun-Lee ..... D23/262  
D482,761 S \* 11/2003 Gotoh ..... D23/262

**OTHER PUBLICATIONS**

“Gardena Premium Hose Connector 13 mm (1/2”)” by Gardena, copy-  
right 2010-2014, from [http://www.gardena.com/ca/en/water-man-  
agement/hose-connectors/premium-hose-connector-13-mm-1-2/](http://www.gardena.com/ca/en/water-management/hose-connectors/premium-hose-connector-13-mm-1-2/),  
all enclosed pages cited.

*Primary Examiner* — Sandra Snapp

(74) *Attorney, Agent, or Firm* — Nelson Mullins Riley &  
Scarborough LLP

(57) **CLAIM**

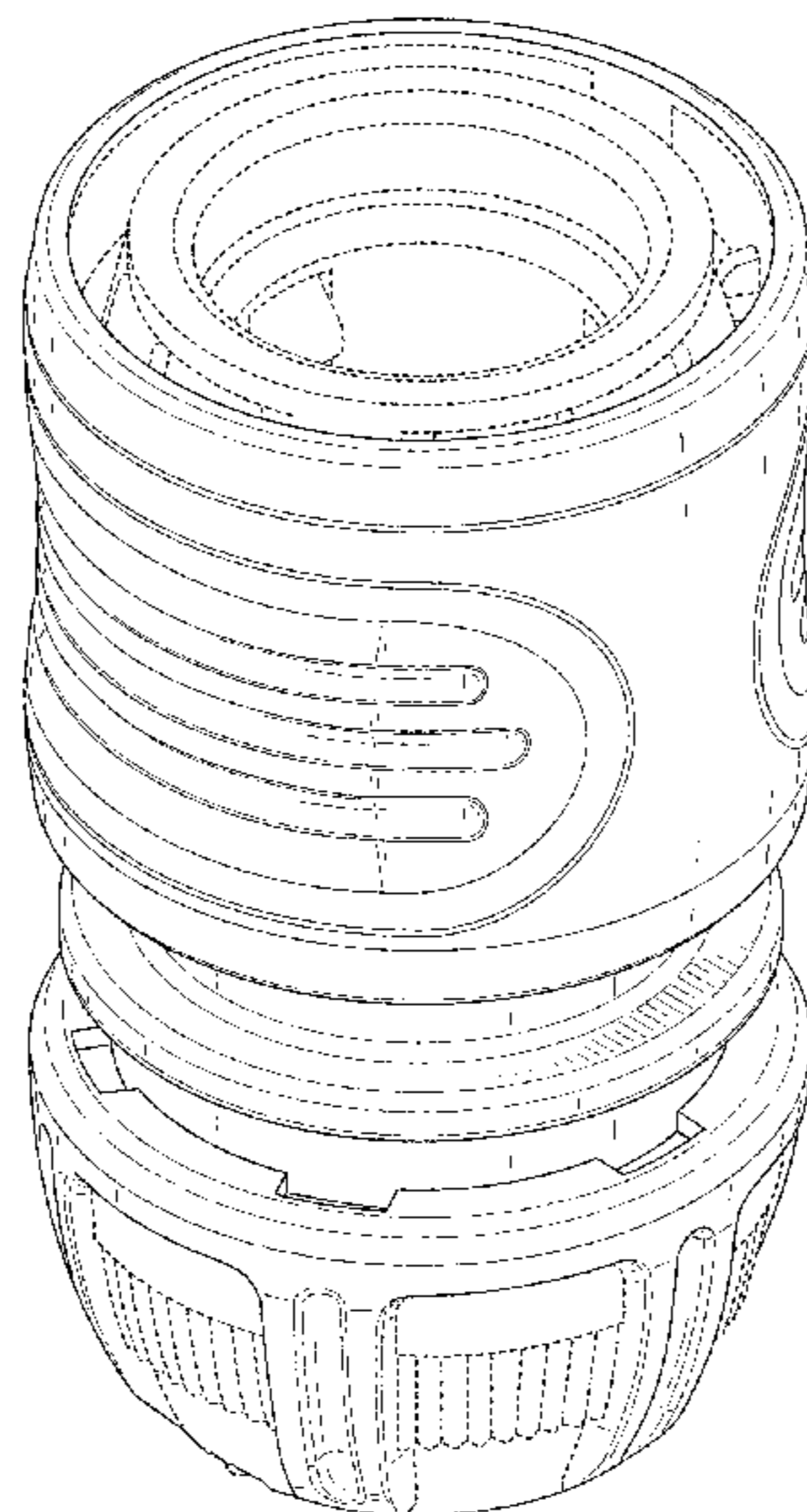
The ornamental design for a hose connector, as shown and  
described.

**DESCRIPTION**

FIG. 1 is a perspective view of a hose connector in accordance  
with an embodiment of the present invention;  
FIG. 2 is a front view of the hose connector of FIG. 1;  
FIG. 3 is a back view of the hose connector of FIG. 1;  
FIG. 4 is a left side view of the hose connector of FIG. 1;  
FIG. 5 is a right side view of the hose connector of FIG. 1;  
FIG. 6 is a top view of the hose connector of FIG. 1; and,  
FIG. 7 is a bottom view of the hose connector of FIG. 1.

The broken lines of FIGS. 1-7 are illustrative of the visible  
environmental structure of the hose connector and form no  
part of the claimed design.

**1 Claim, 7 Drawing Sheets**



# US D748,762 S

Page 2

---

(56)

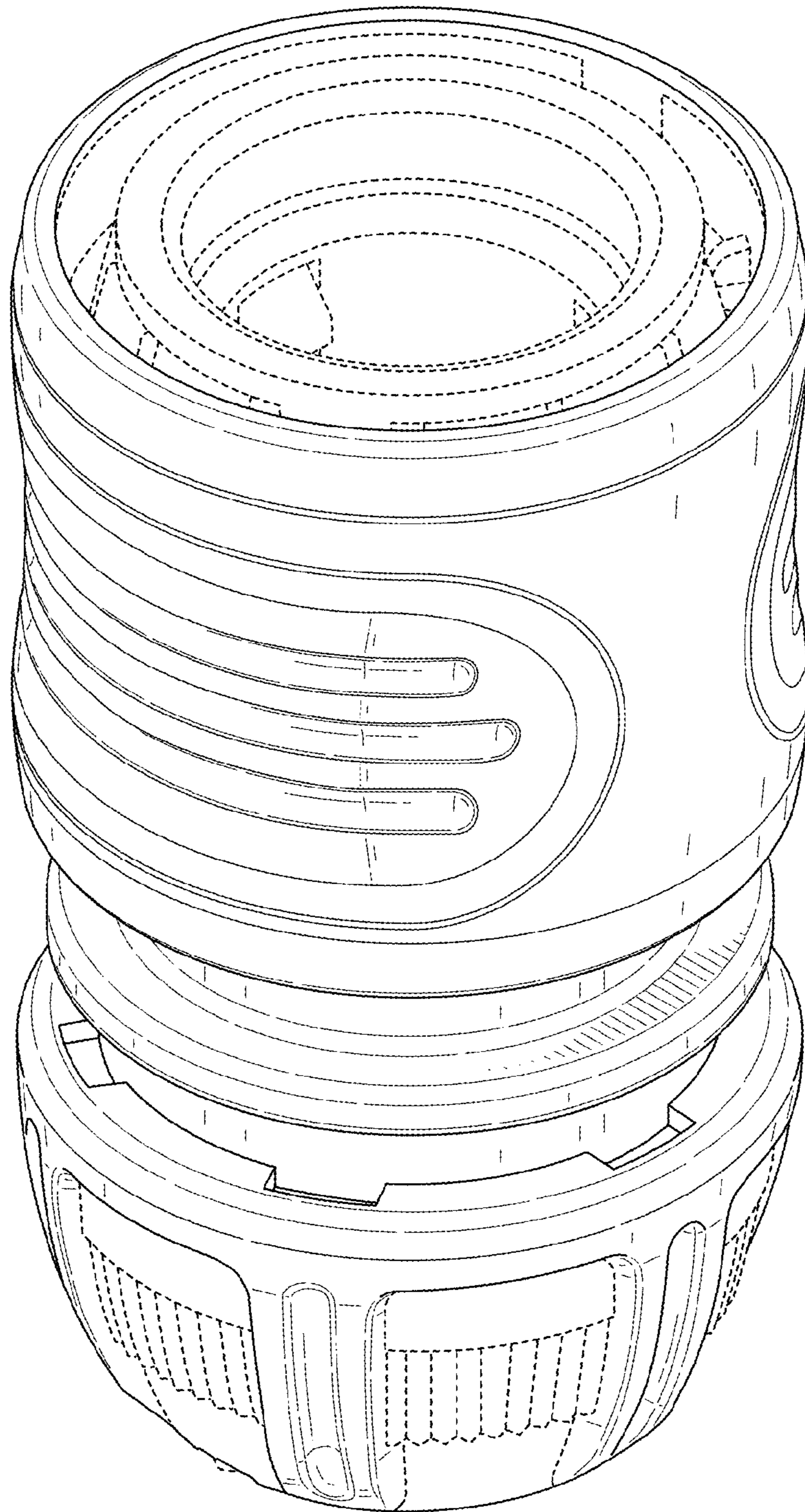
## References Cited

### U.S. PATENT DOCUMENTS

D716,916 S \* 11/2014 Snow ..... D23/262  
D733,846 S \* 7/2015 Guest ..... D23/262

2008/0238087 A1\* 10/2008 Wang ..... F16L 25/009  
285/39  
2013/0257043 A1\* 10/2013 Guest ..... F16L 37/101  
285/322

\* cited by examiner



**FIG. 1**

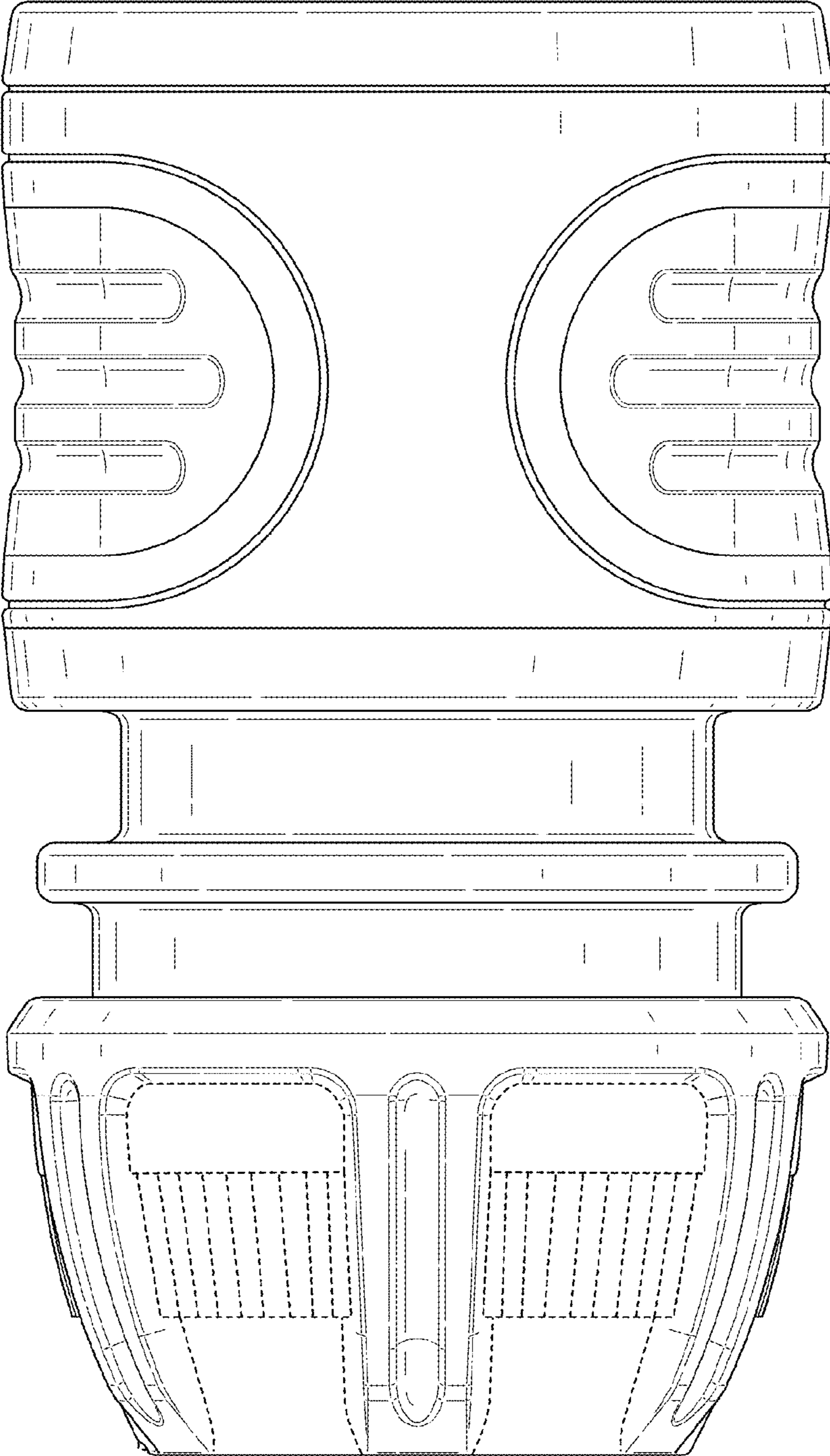


FIG. 2

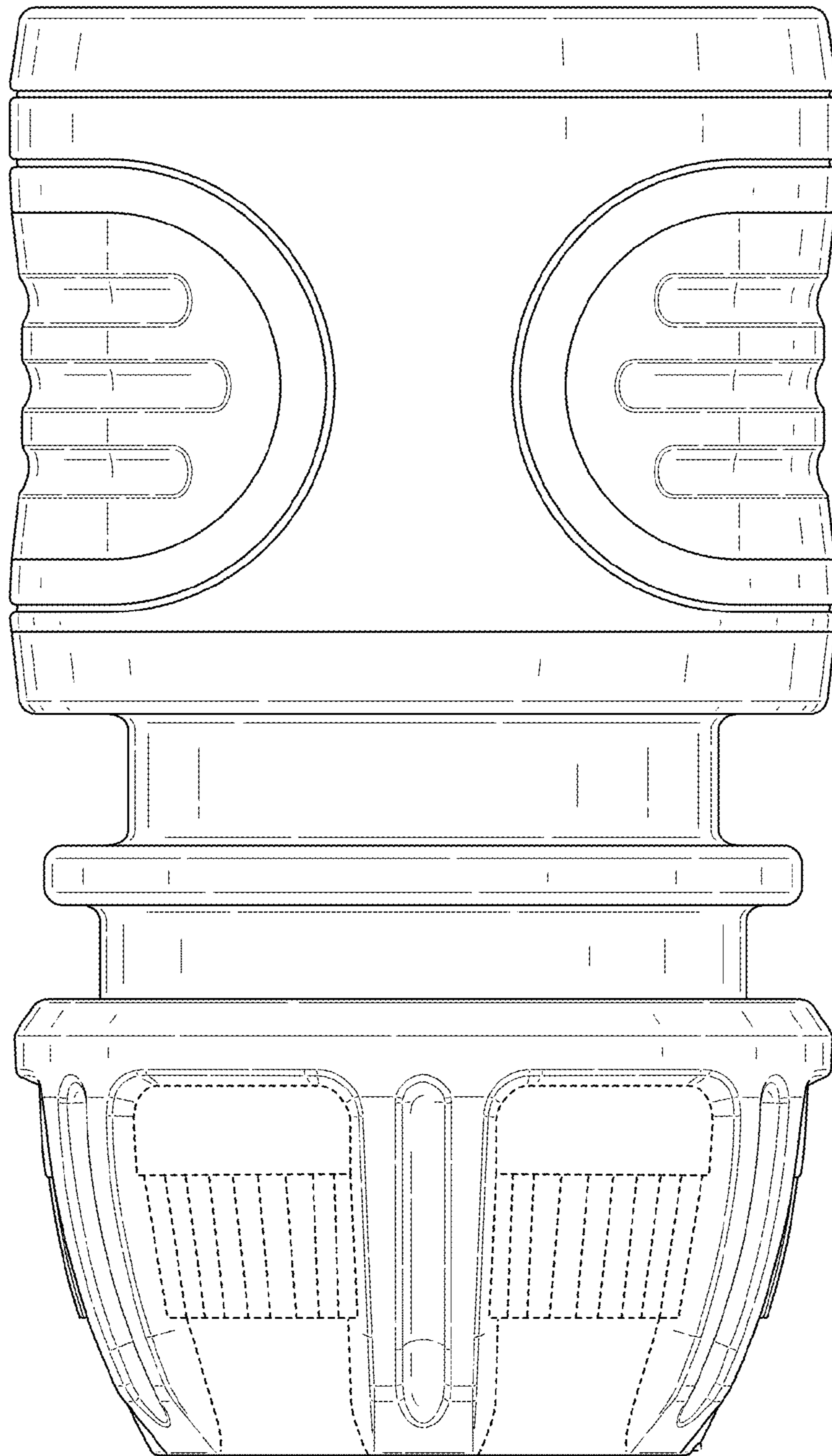


FIG. 3

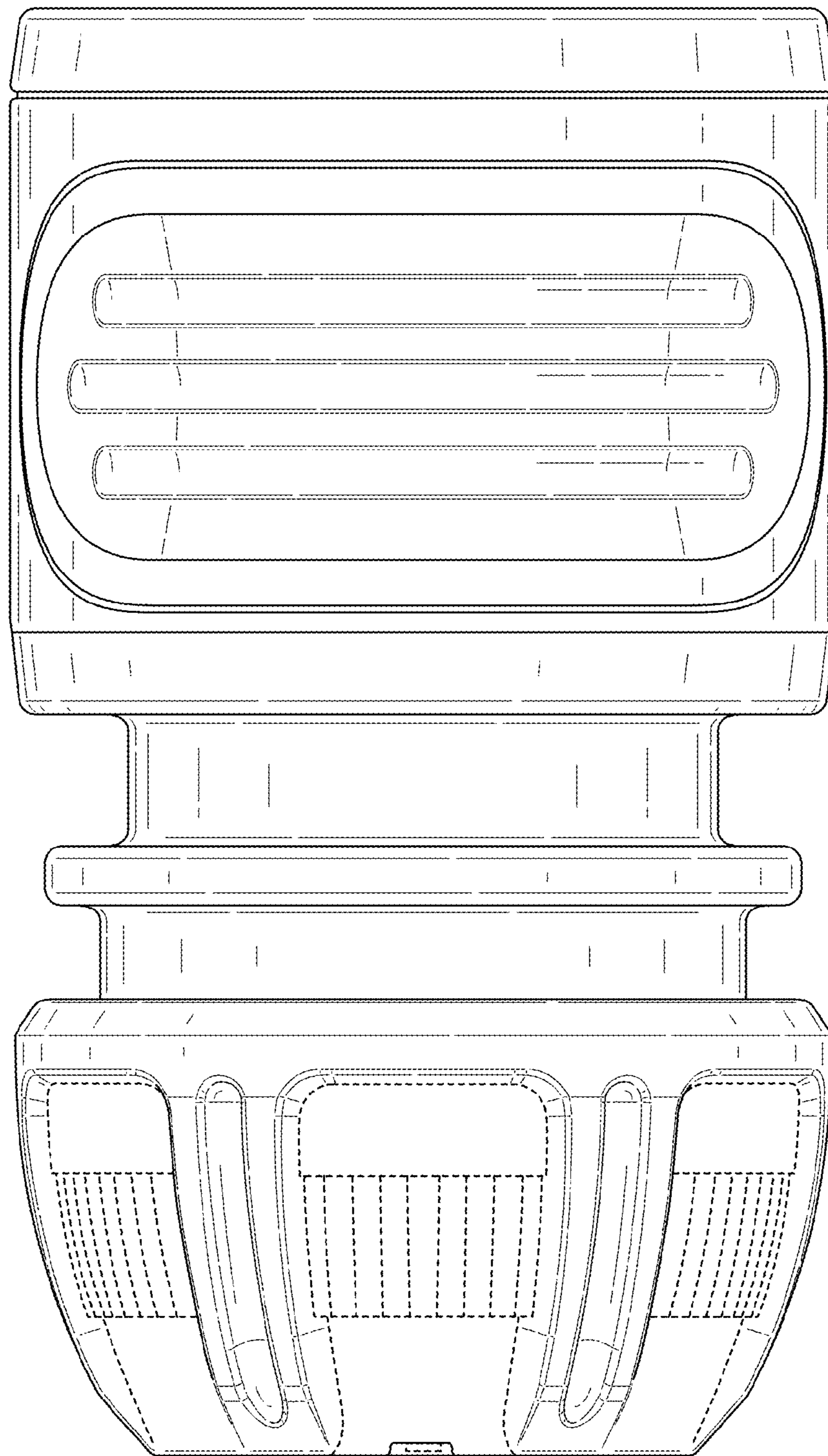


FIG. 4

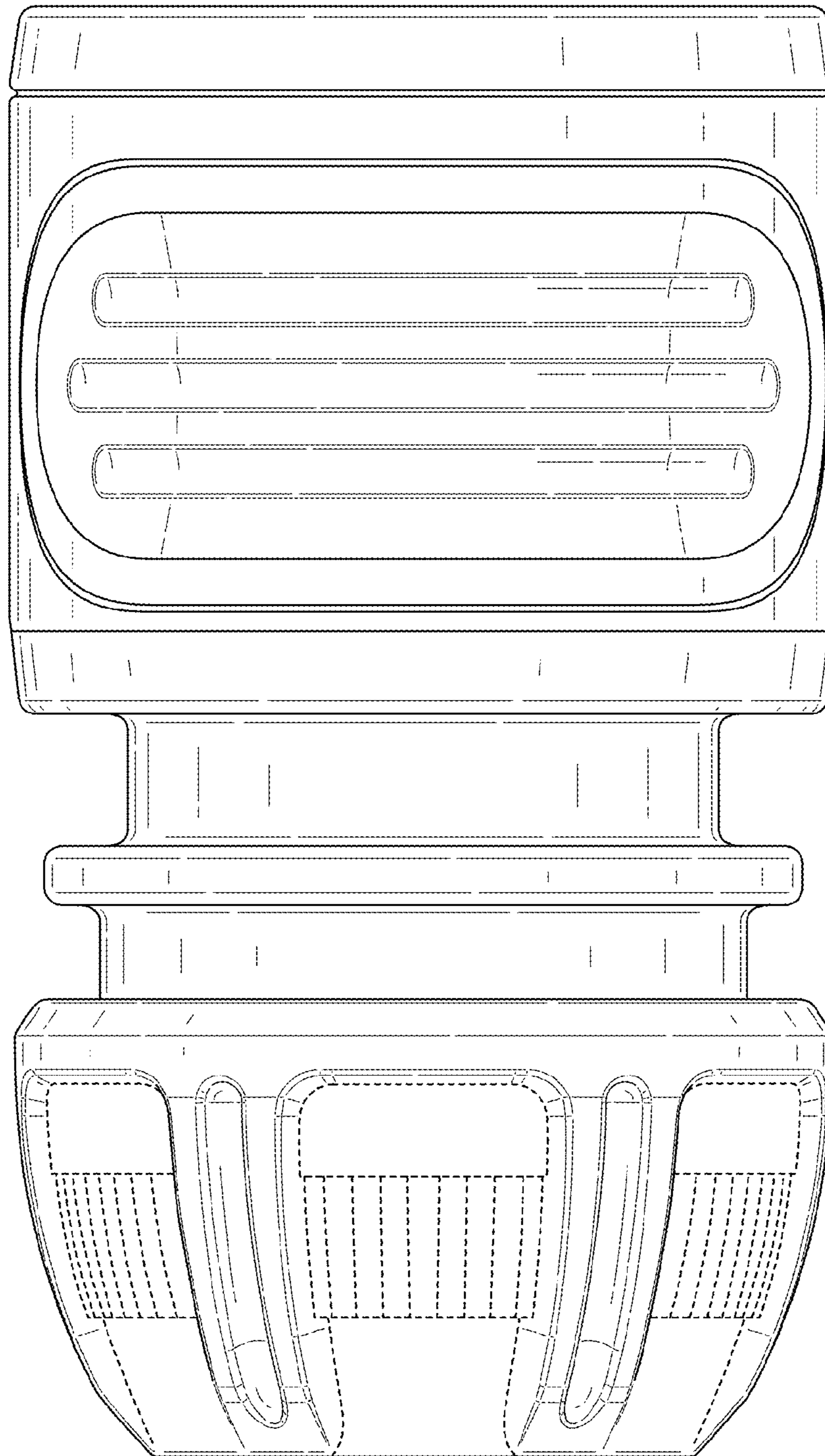
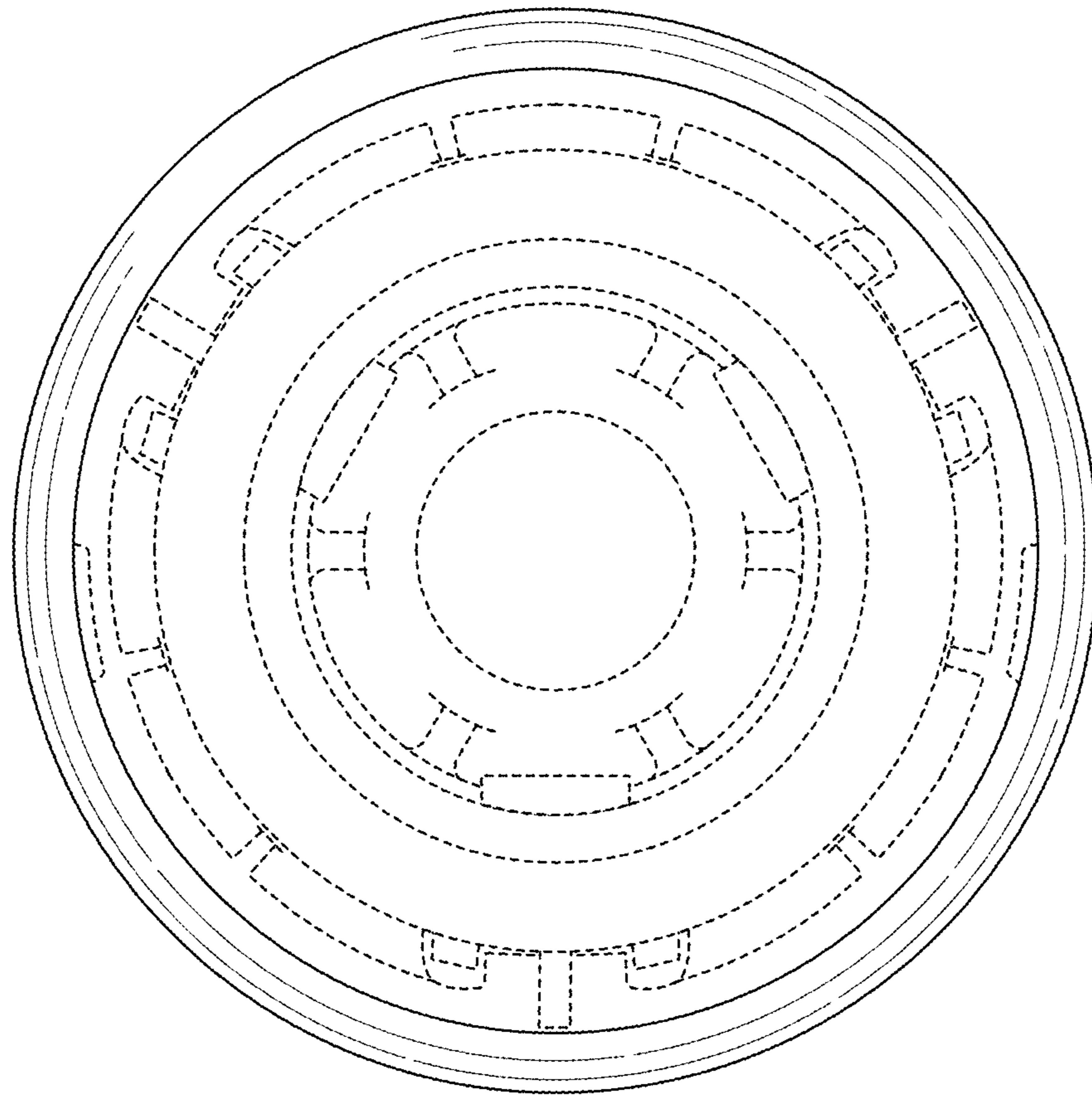
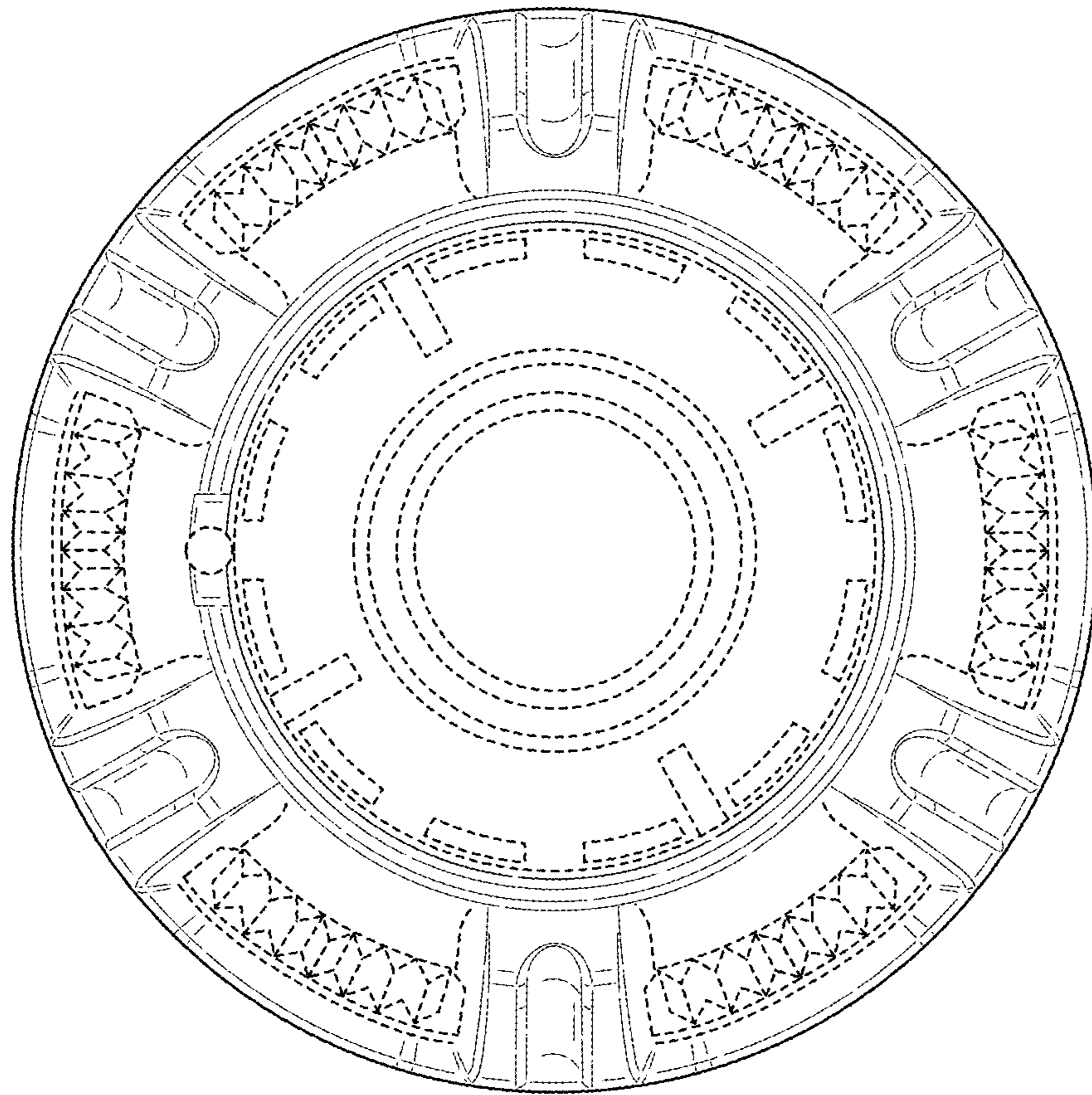


FIG. 5



**FIG. 6**





**FIG. 7**