



US00D748761S

(12) **United States Design Patent**
Blank et al.

(10) **Patent No.:** **US D748,761 S**
(45) **Date of Patent:** **** Feb. 2, 2016**

(54) **FITTING**

(71) Applicant: **Robert Bosch GmbH**, Stuttgart (DE)

(72) Inventors: **Kurt Blank**, Ebersbach (DE); **Frank Pelta**, Ostfildern (DE); **Daniel Strack**, Uhingen (DE); **Reinhard Hoss**, Plochingen (DE)

(73) Assignee: **Robert Bosch GmbH**, Stuttgart (DE)

(**) Term: **14 Years**

(21) Appl. No.: **29/500,610**

(22) Filed: **Aug. 27, 2014**

(30) **Foreign Application Priority Data**

Feb. 27, 2014 (EM) 002413930

(51) **LOC (10) Cl.** **23-01**

(52) **U.S. Cl.**
USPC **D23/259**

(58) **Field of Classification Search**
USPC D23/259–263, 266–269, 233; 251/215, 251/216; 285/369, 372, 373, 417, 133.11, 285/133.3, 133.21, 133.4, 133.5, 133.6
CPC F16L 11/00; F16L 37/252; F16L 41/007; E03C 1/26; E03C 1/262; E03C 1/28; E03F 5/04; A61B 5/00; A61M 25/09016
See application file for complete search history.

(56) **References Cited**

U.S. PATENT DOCUMENTS

D421,098 S * 2/2000 Wrigley D23/249
D444,723 S * 7/2001 Honma D10/85
D542,376 S * 5/2007 Blette D23/213
D617,880 S * 6/2010 Johnson D23/262

D645,545 S * 9/2011 Forsythe D23/262
D645,546 S * 9/2011 Forsythe D23/262
D661,785 S * 6/2012 Johnson D23/262
D661,786 S * 6/2012 Johnson D23/262
D661,787 S * 6/2012 Johnson D23/262
D667,082 S * 9/2012 Fukushima D23/235
D667,930 S * 9/2012 Yamada D23/233
D722,362 S * 2/2015 Kluss D23/235
D724,703 S * 3/2015 Downs D23/262

* cited by examiner

Primary Examiner — Sandra Snapp

(74) *Attorney, Agent, or Firm* — Maginot, Moore & Beck LLP

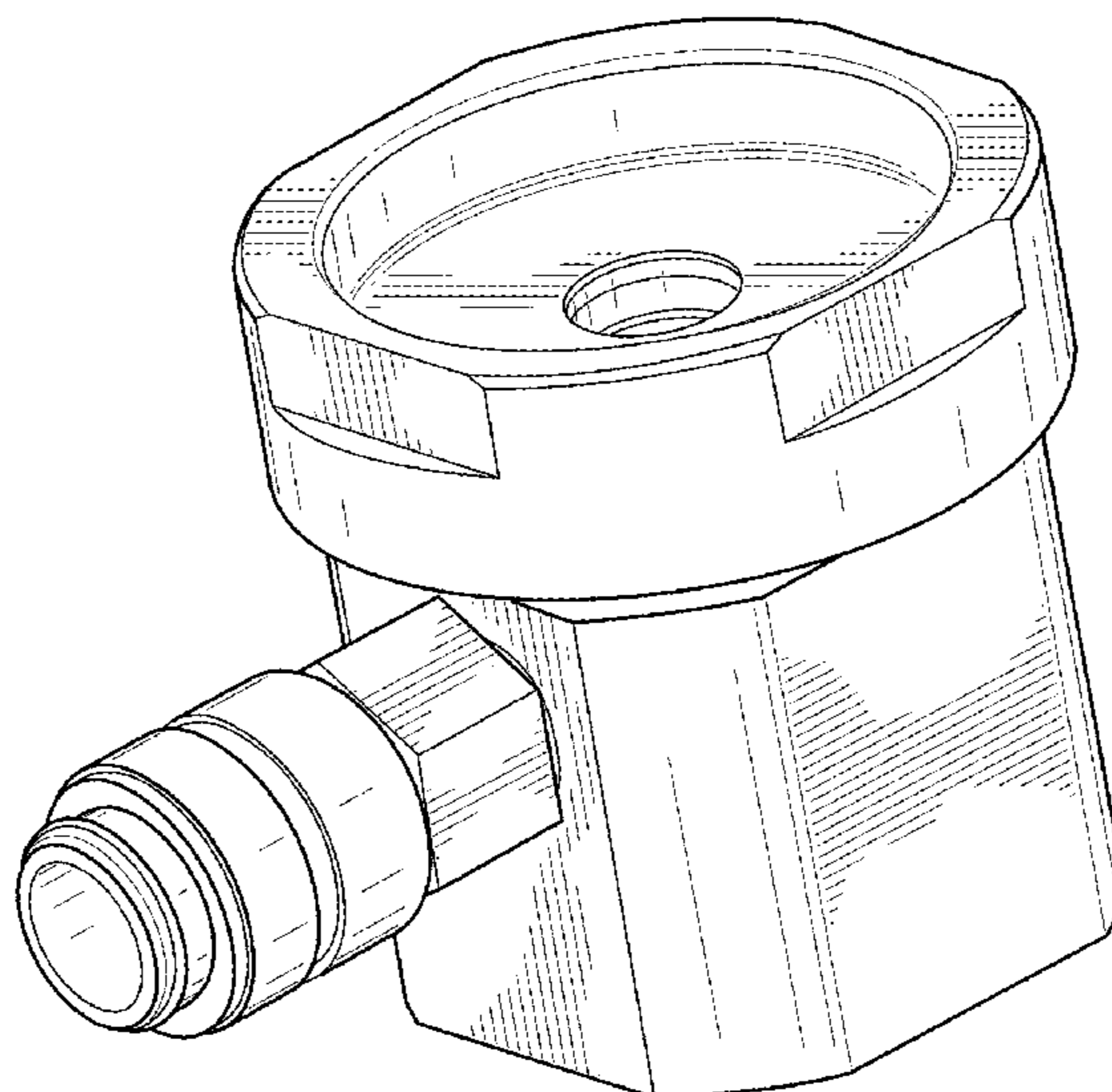
(57) **CLAIM**

The ornamental design for a fitting, as shown and described.

DESCRIPTION

FIG. 1 is a perspective view of a first embodiment of a fitting showing our new design;
FIG. 2 is a right side elevational view showing the design for the fitting of FIG. 1;
FIG. 3 is a left side elevational view showing the design for the fitting of FIG. 1;
FIG. 4 is a front elevational view showing the design for the fitting of FIG. 1;
FIG. 5 is a rear elevational view showing the design for the fitting of FIG. 1;
FIG. 6 is a top plan view showing the design for the fitting of FIG. 1; and
FIG. 7 is a bottom plan view showing the design for the fitting of FIG. 1; and,
FIG. 8 is a perspective view of a second embodiment of a fitting showing our new design.
The broken lines shown in the drawings illustrate portions of the fitting that form no part of the claimed design.

1 Claim, 8 Drawing Sheets



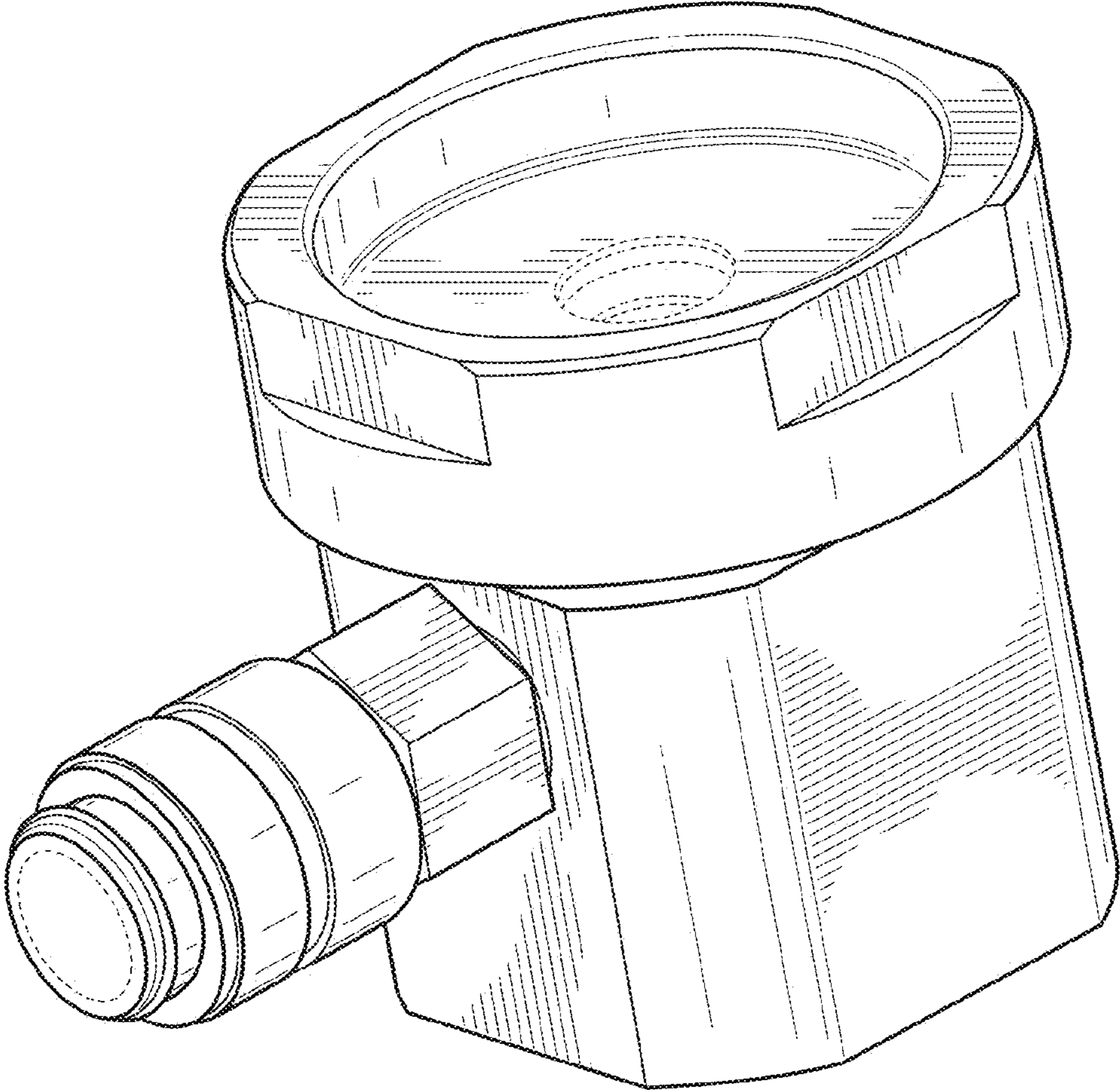


FIG. 1

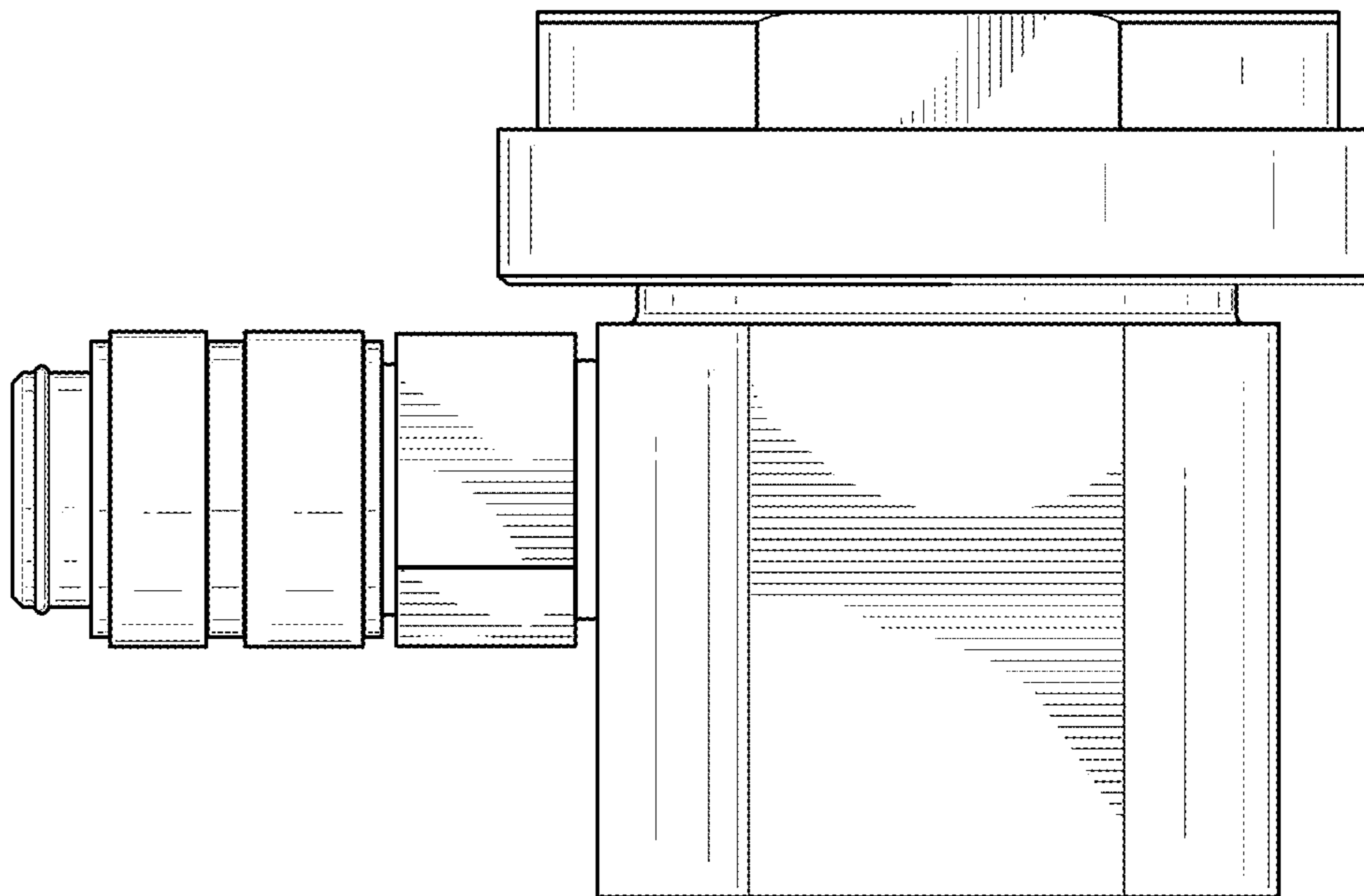


FIG. 2

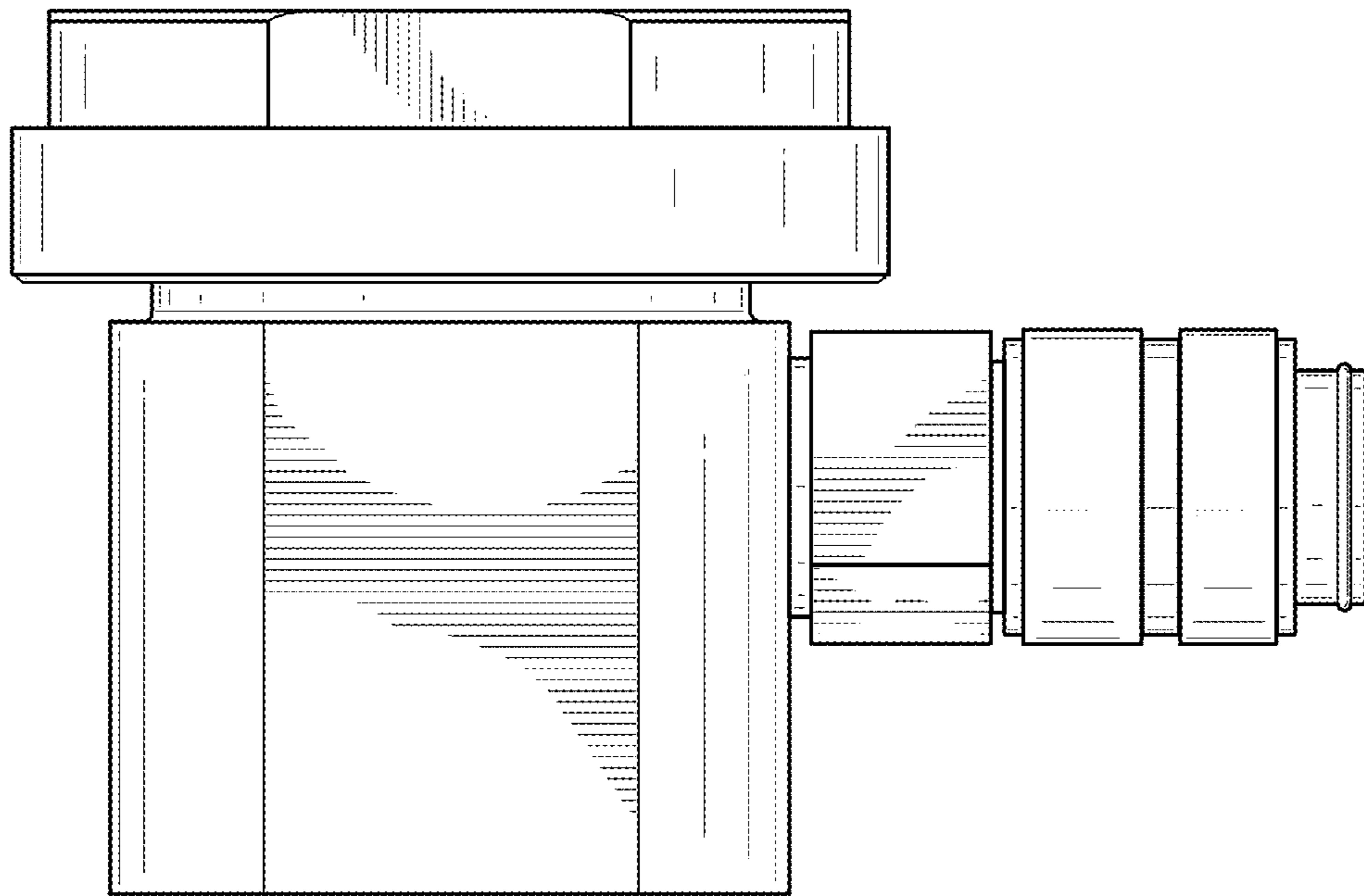


FIG. 3

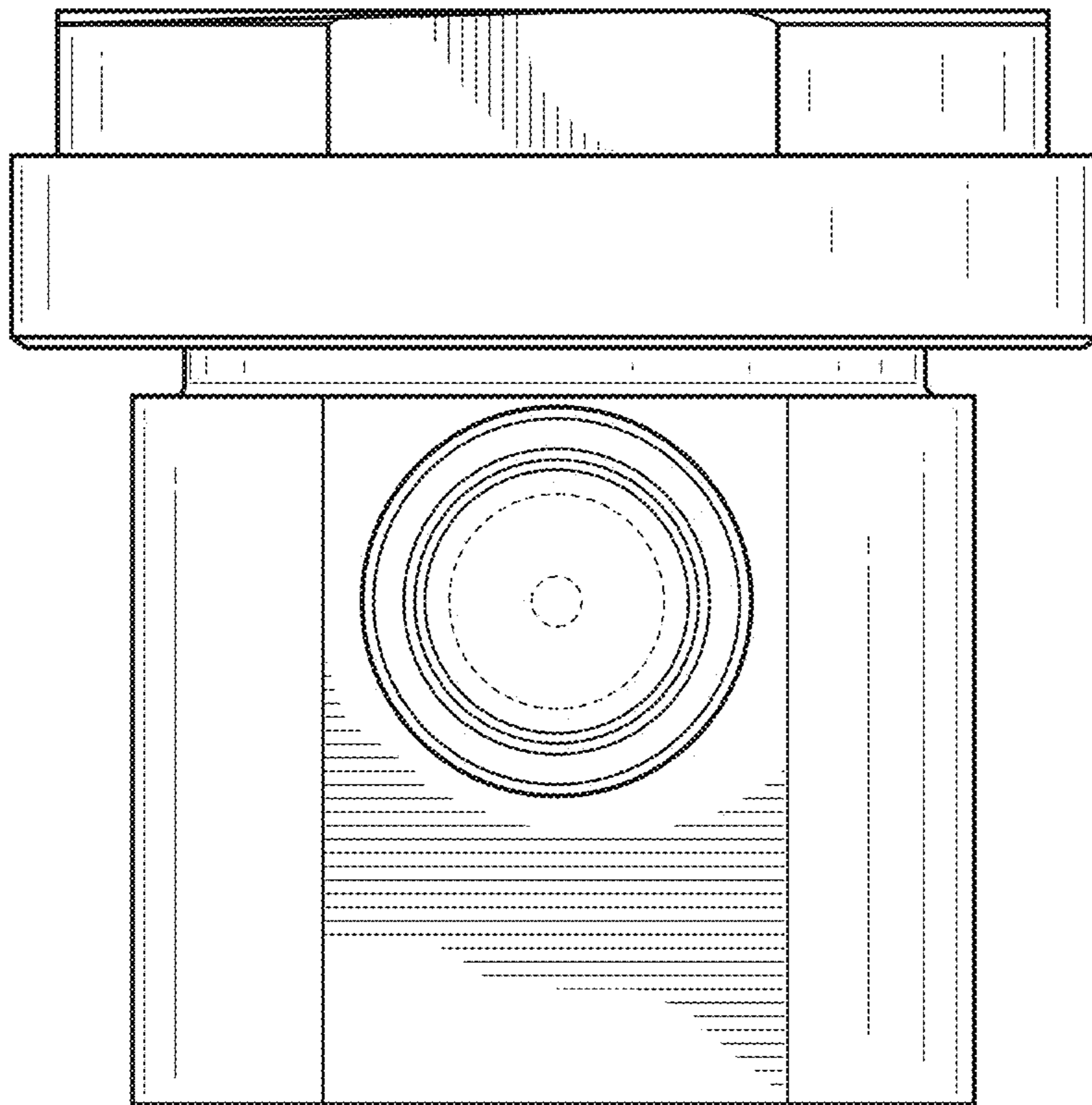


FIG. 4

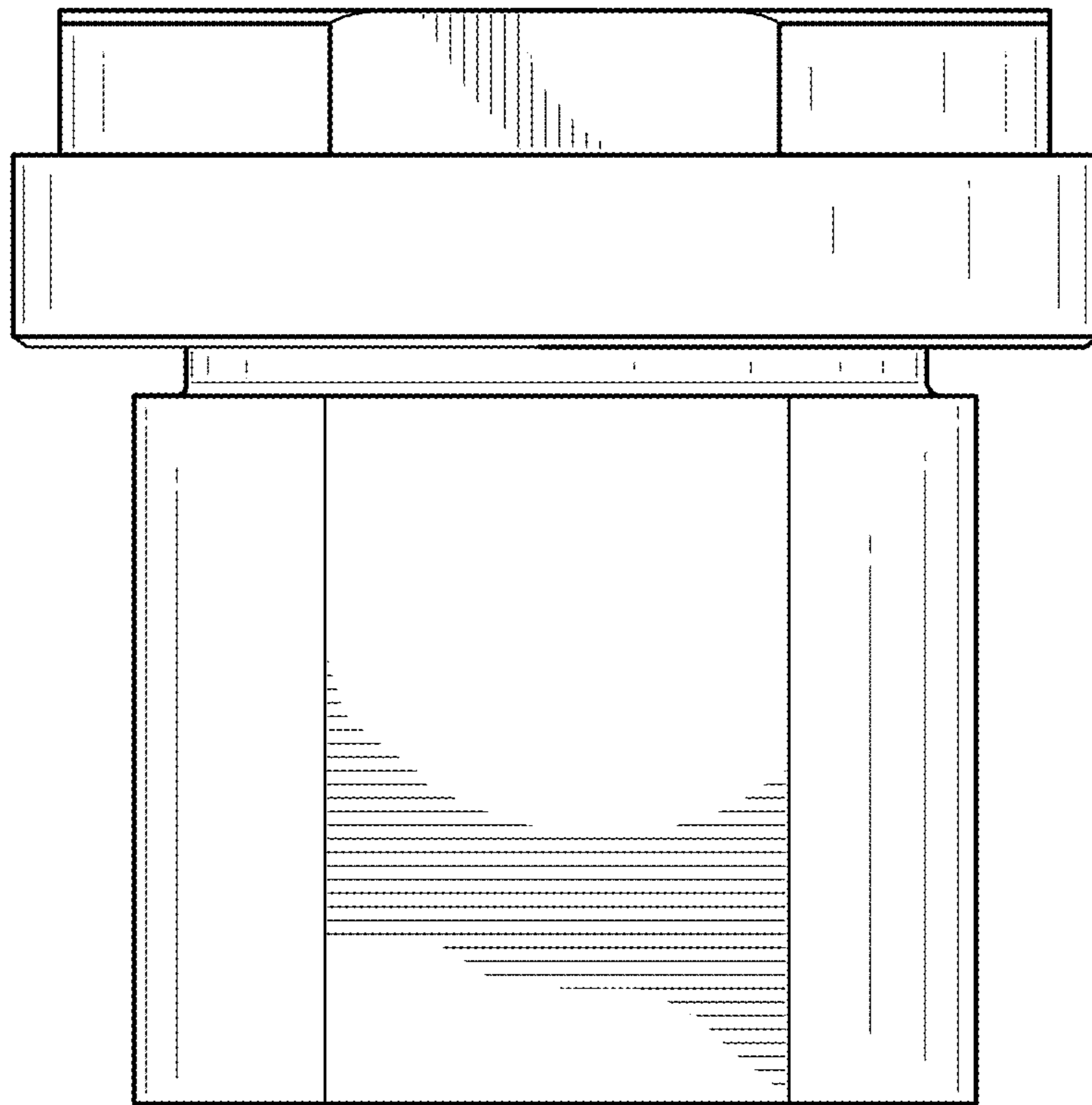


FIG. 5

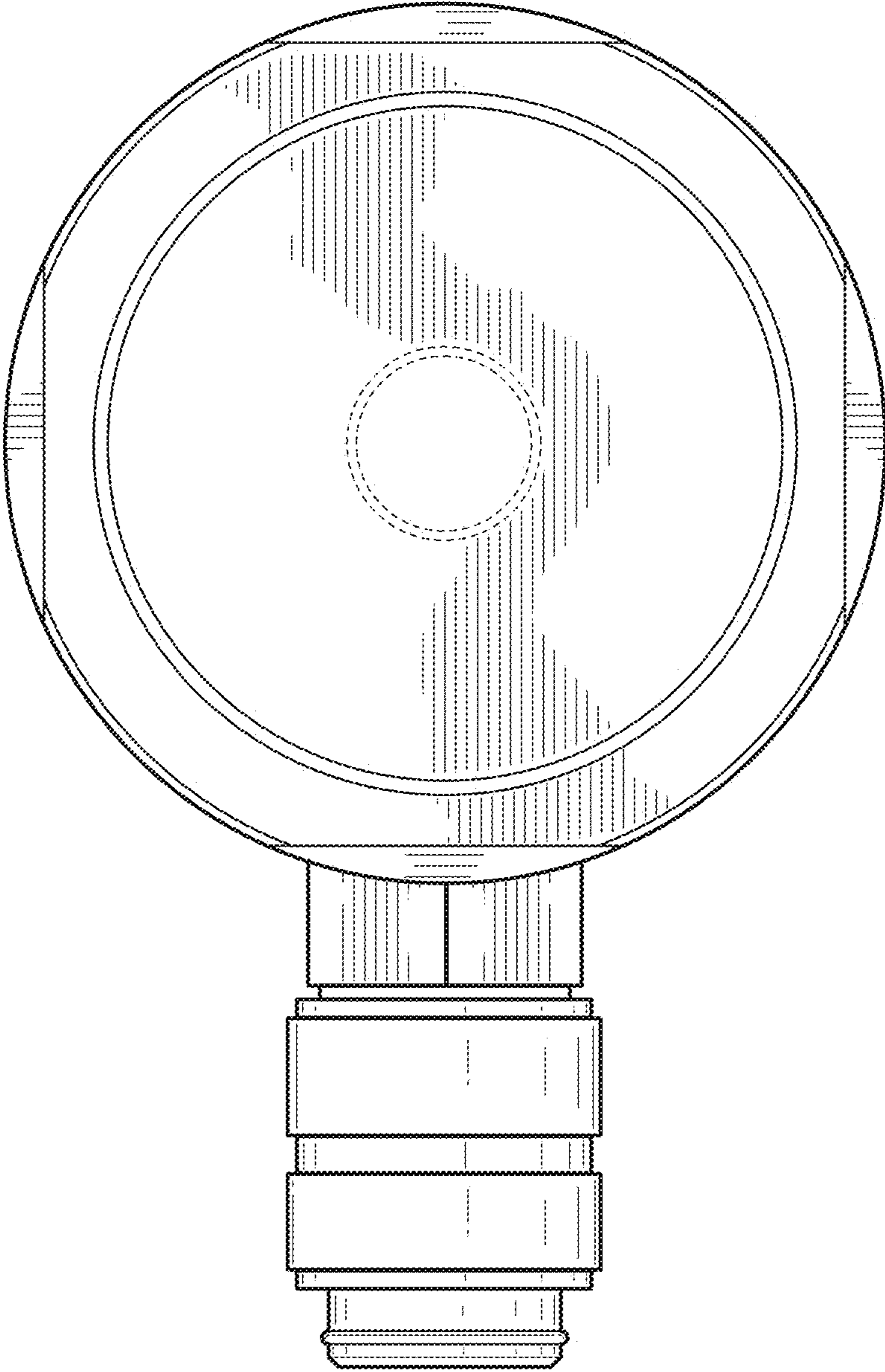


FIG. 6

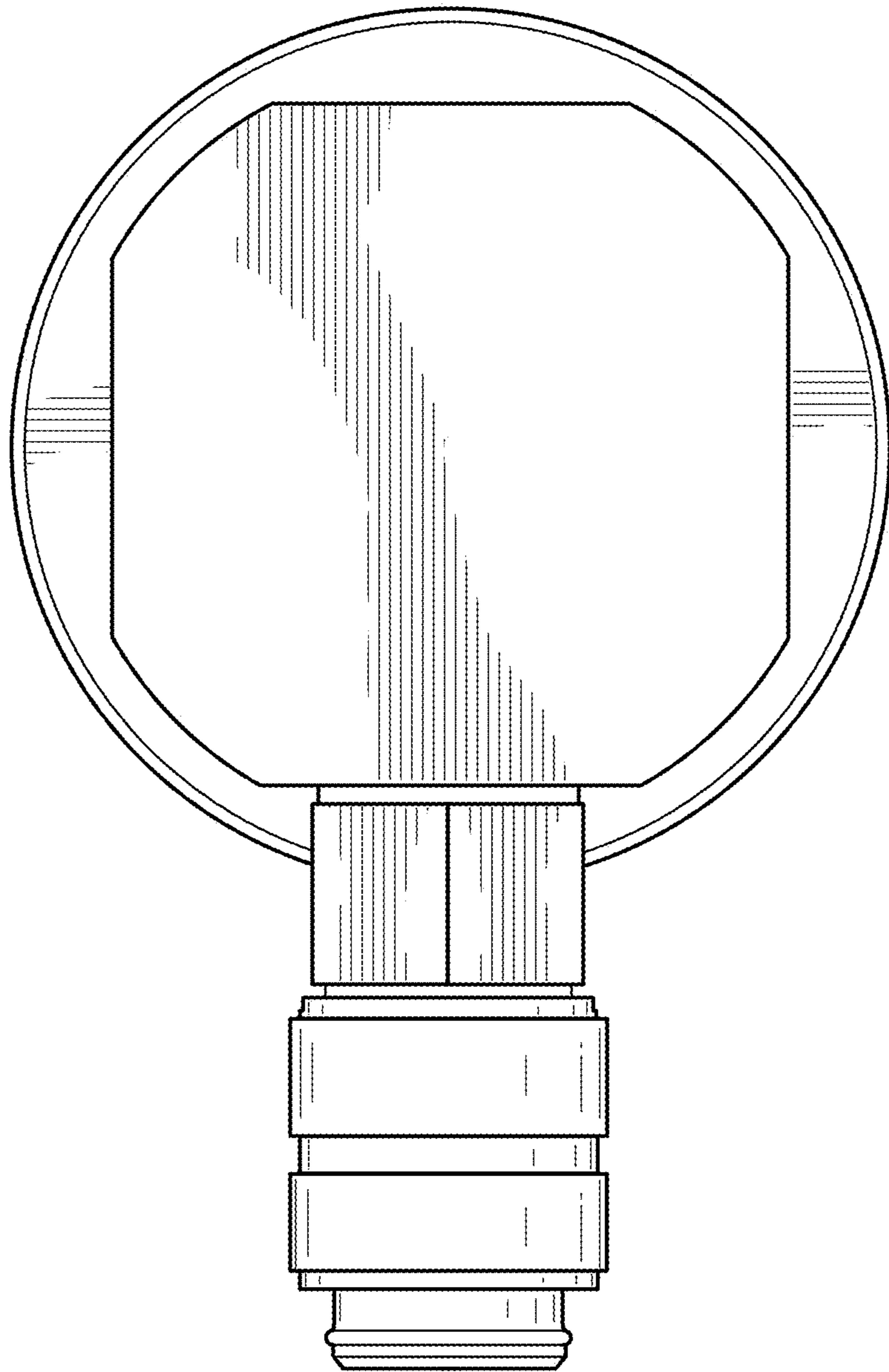


FIG. 7

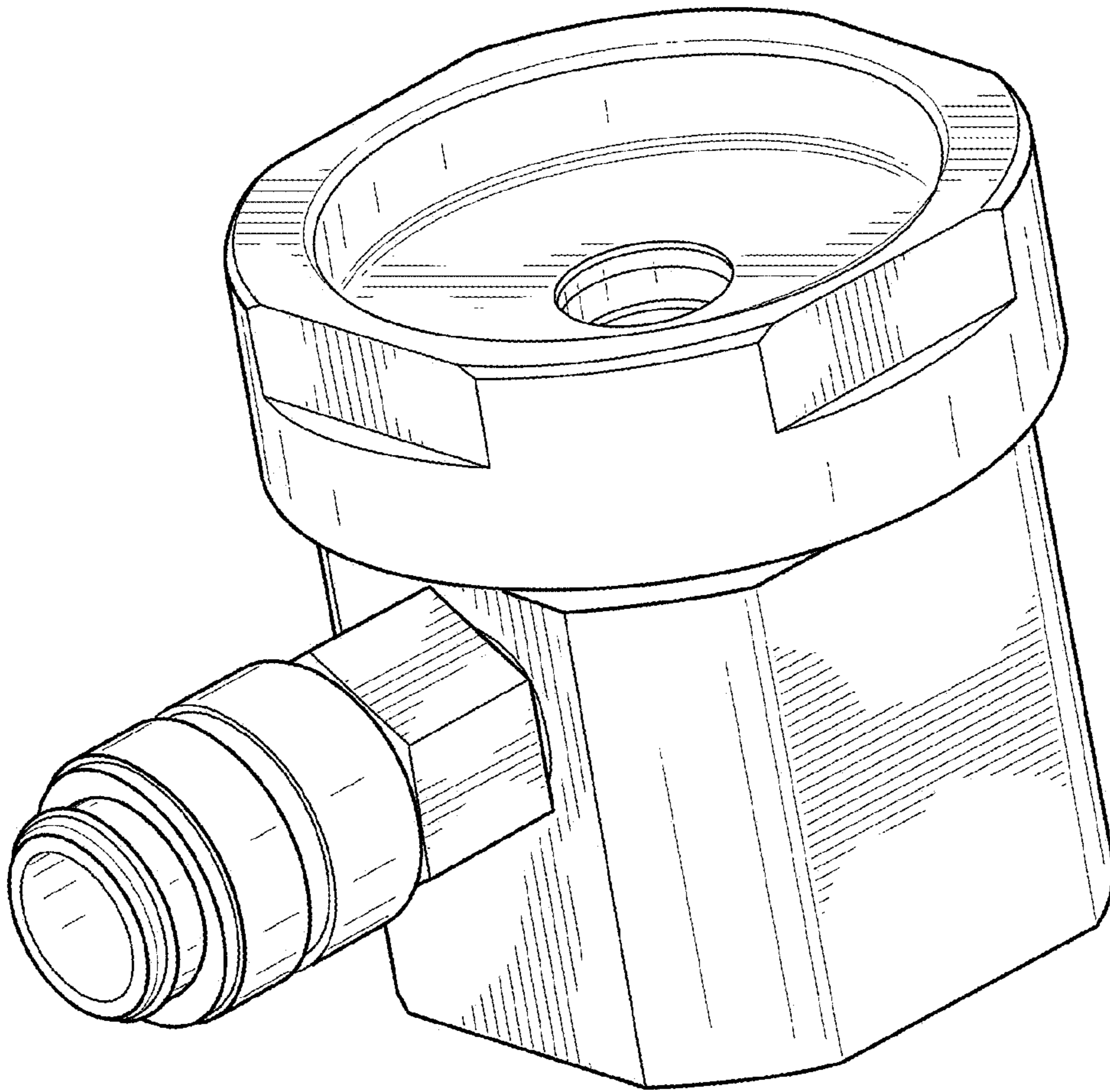


FIG. 8