



US00D748760S

(12) **United States Design Patent**  
**Lohmann**

(10) **Patent No.:** **US D748,760 S**  
(45) **Date of Patent:** **\*\* Feb. 2, 2016**

- (54) **ROOF DRAIN**
- (71) Applicant: **BLUCHER METAL A/S**, Vildbjerg (DK)
- (72) Inventor: **Hans Lohmann**, Soro (DK)
- (73) Assignee: **BLUCHER METAL A/S**, Vildbjerg (DK)
- (\*\*) Term: **14 Years**

D385,956 S	11/1997	Doughty et al.	
5,722,791 A *	3/1998	Dallmer	405/52
D428,130 S	7/2000	Zirk	
D442,197 S	5/2001	Willet	
D462,256 S	9/2002	Jaynes	
D530,796 S	10/2006	Zielke et al.	
D571,645 S	6/2008	Skoog	
D579,759 S	11/2008	Strait et al.	
D606,186 S	12/2009	Routh	
D655,796 S	3/2012	DeWitt et al.	
D657,848 S	4/2012	Howson	
D662,572 S	6/2012	Marquis-Martin	
2004/0163165 A1	8/2004	Ortiz et al.	

- (21) Appl. No.: **29/497,302**
- (22) Filed: **Jul. 23, 2014**

**OTHER PUBLICATIONS**

U.S. Appl. No. 29/432,756, filed Sep. 20, 2014, Lohmann.  
 Official Action for U.S. Appl. No. 29/432,756, mailed Apr. 8, 2014, 6 pages (Restriction Requirement).  
 Official Action for U.S. Appl. No. 29/432,756, mailed Jun. 9, 2014, 15 pages.

\* cited by examiner

**Related U.S. Application Data**

- (62) Division of application No. 29/432,756, filed on Sep. 20, 2012, now Pat. No. Des. 715,410.

**Foreign Application Priority Data**

- Mar. 21, 2012 (EM) ..... 002012476-0001
- Mar. 21, 2012 (EM) ..... 002075846-0001

*Primary Examiner* — Karen E Kearney

*Assistant Examiner* — John Reickel

(74) *Attorney, Agent, or Firm* — Sheridan Ross PC

- (51) **LOC (10) Cl.** ..... **23-01**

- (52) **U.S. Cl.**  
USPC ..... **D23/259**

(57) **CLAIM**

The ornamental design for a roof drain, as shown and described.

- (58) **Field of Classification Search**  
USPC ..... D23/259–269; D8/382, 387; D13/155;  
D24/129; 285/58, 83  
CPC ..... F16L 23/00; F16L 27/00  
See application file for complete search history.

**DESCRIPTION**

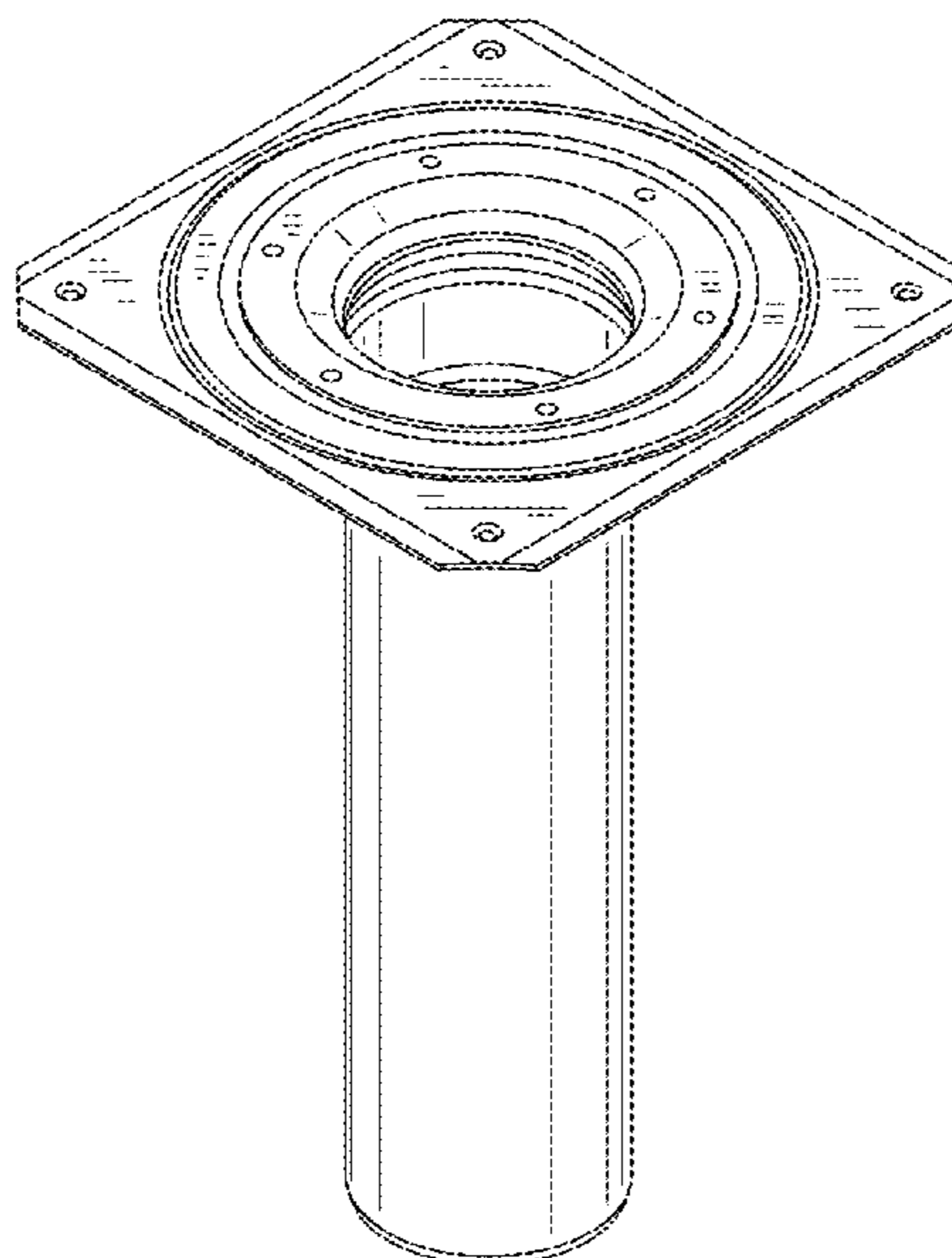
FIG. 1 is a perspective of a roof drain showing my new design;  
 FIG. 2 is a front elevation view of FIG. 1, a rear elevation view being a mirror image;  
 FIG. 3 is a top plan view of FIG. 1;  
 FIG. 4 is a left side view of FIG. 1, a right side view being a mirror image; and,  
 FIG. 5 is a bottom plan view of FIG. 1.

(56) **References Cited**

**U.S. PATENT DOCUMENTS**

4,443,044 A *	4/1984	Cain et al.	384/428
D307,046 S	4/1990	Burgess et al.	
5,291,619 A	3/1994	Adorjan	
D371,138 S	6/1996	Waskiewicz	

**1 Claim, 3 Drawing Sheets**



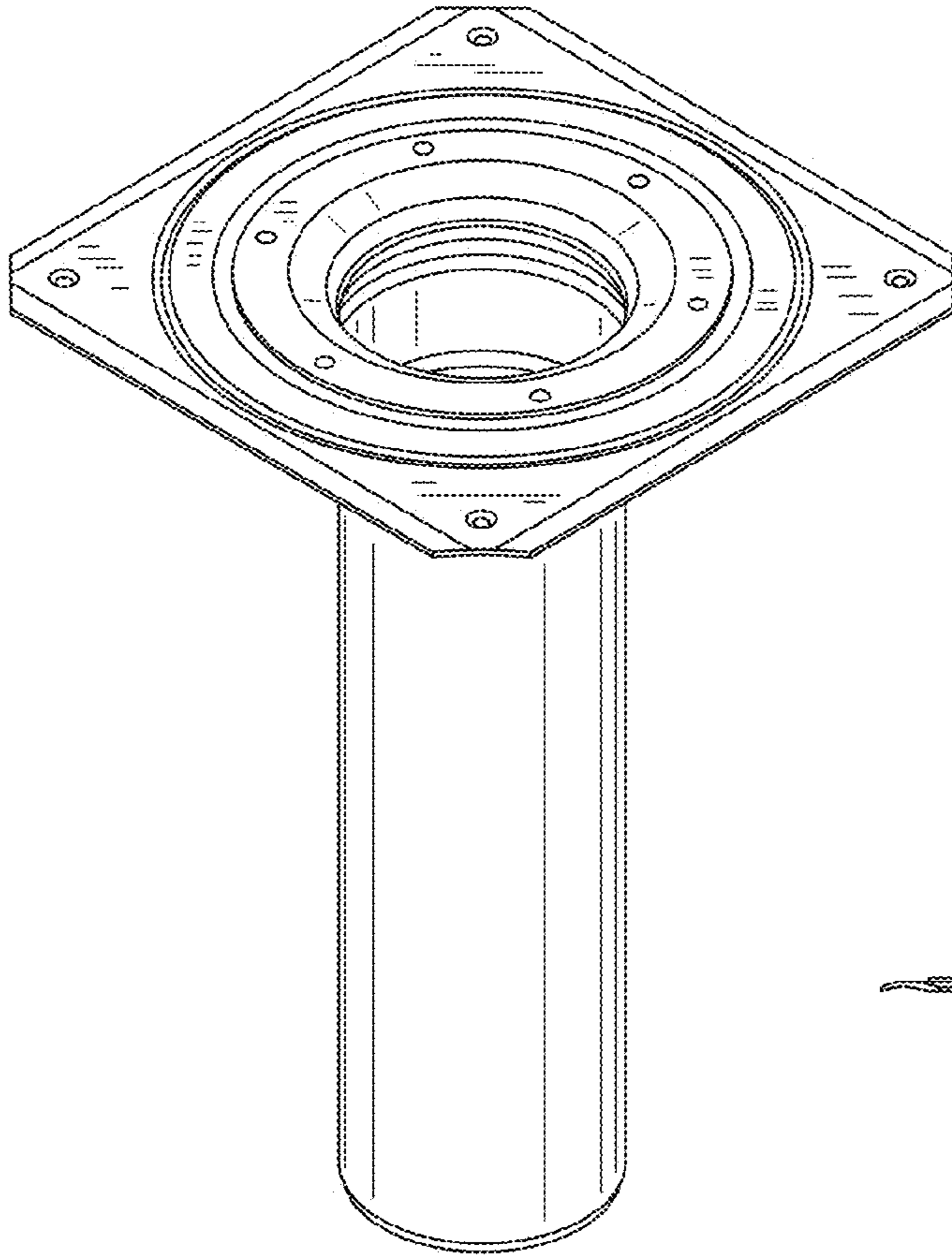


FIG.1

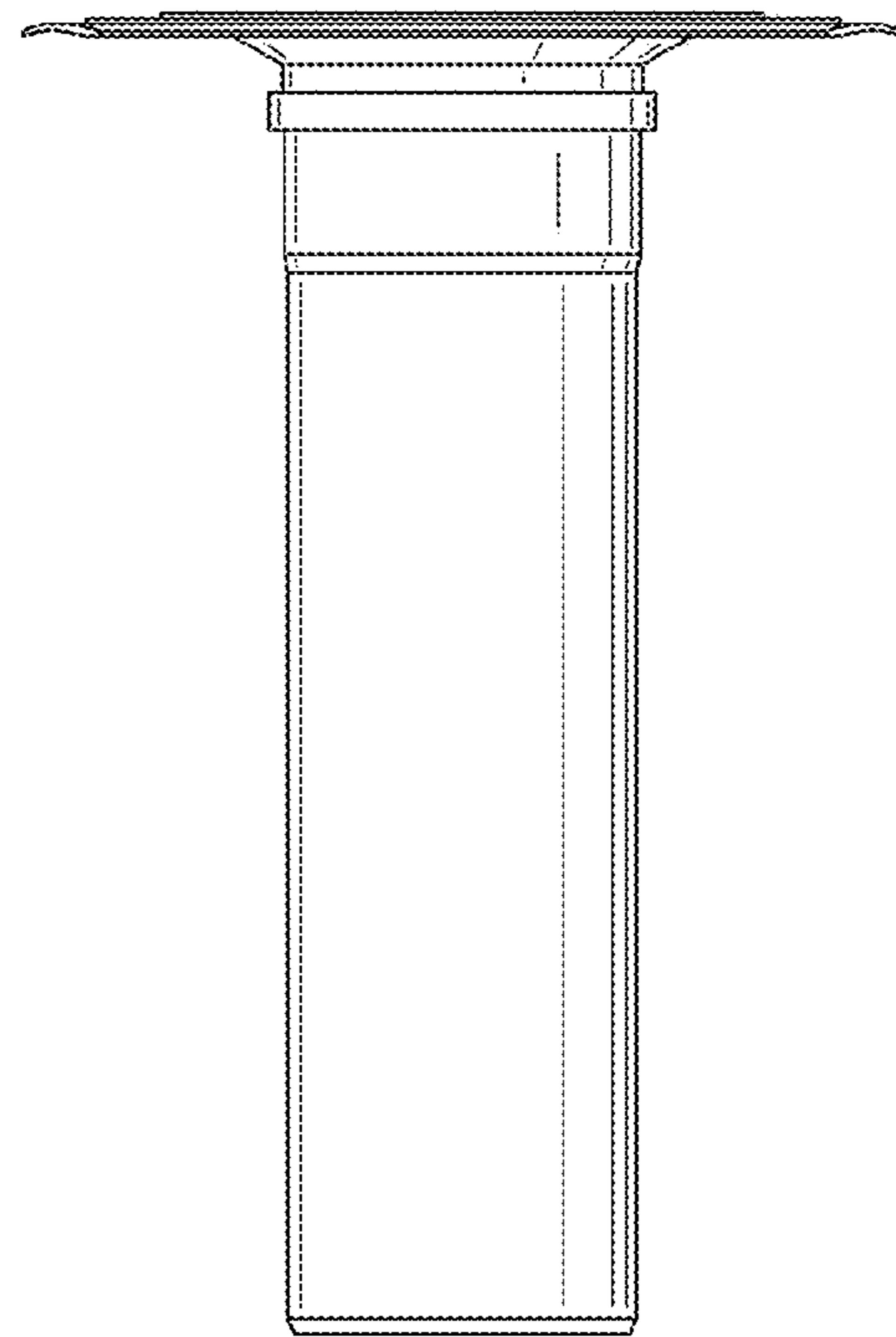


FIG.2

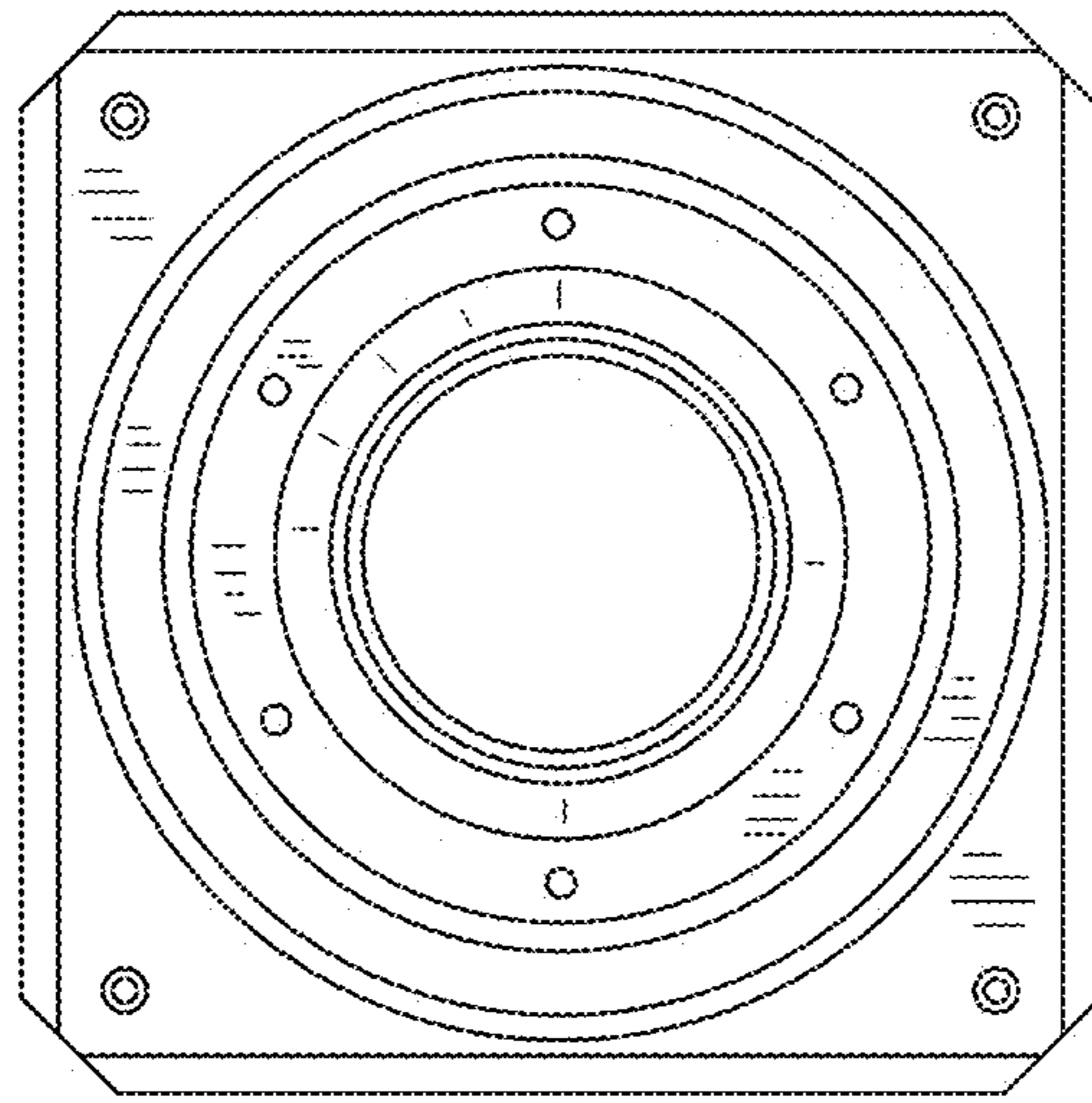


FIG.3

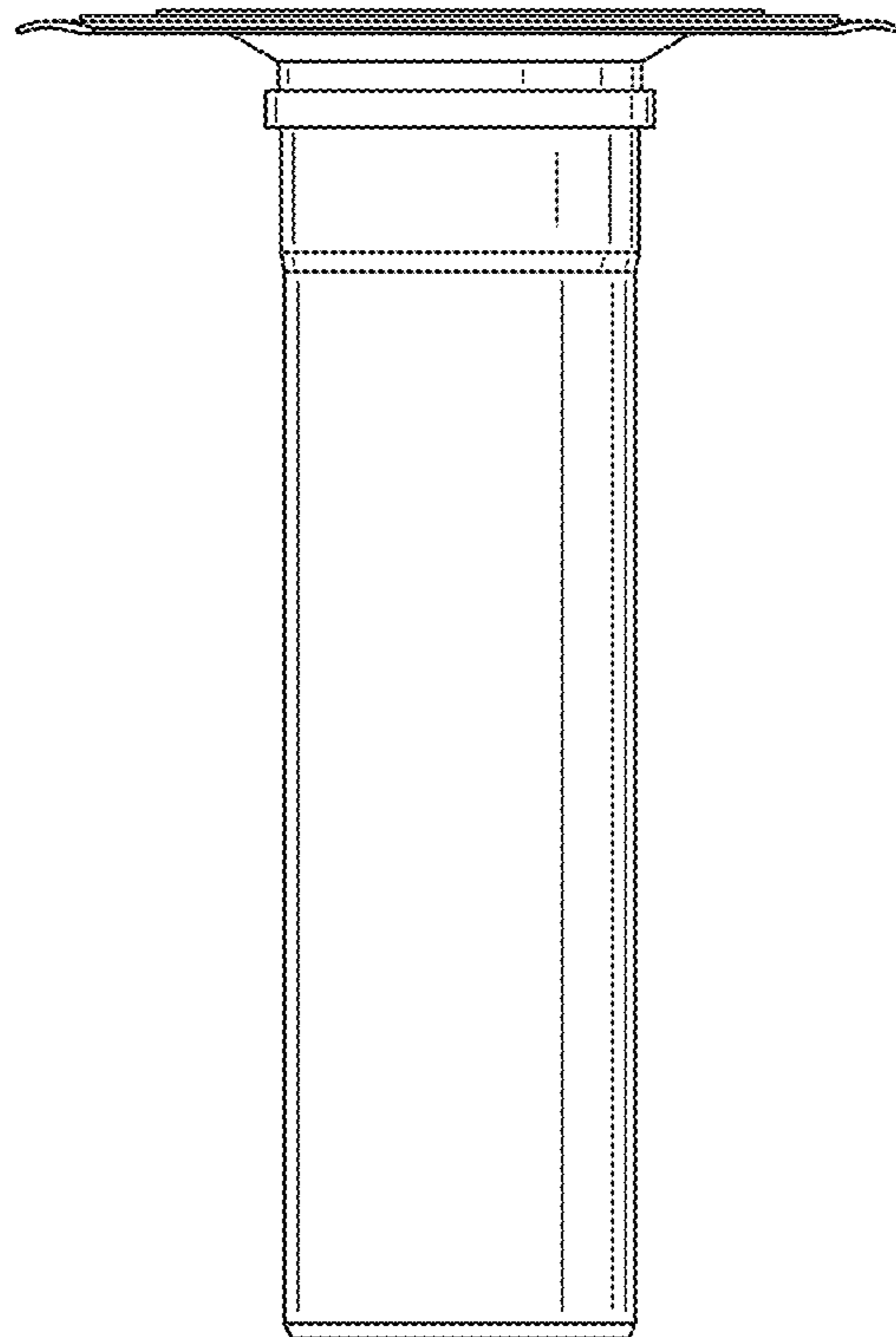


FIG.4

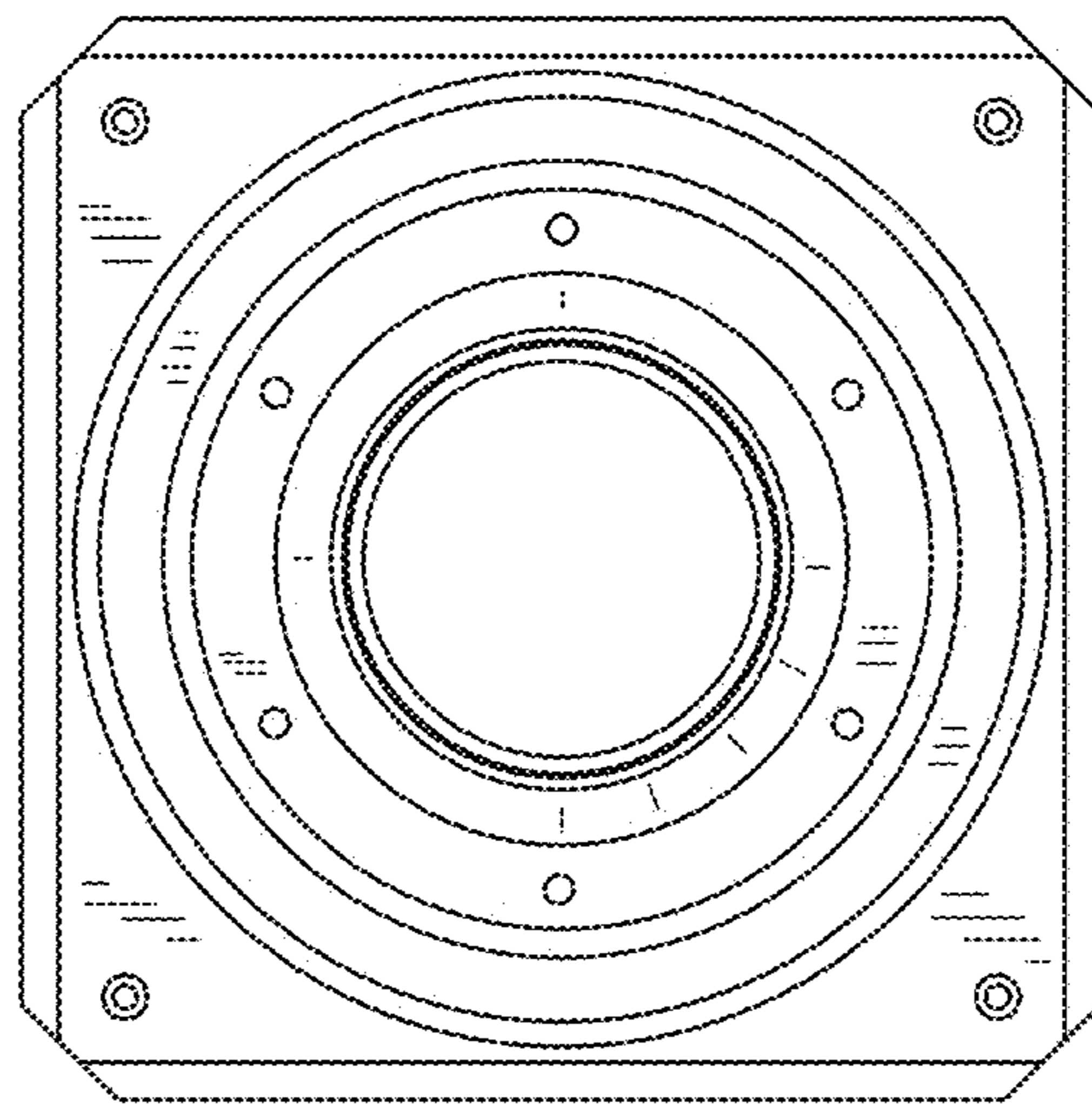


FIG.5