



US00D748758S

(12) **United States Design Patent**
Duong et al.

(10) **Patent No.:** **US D748,758 S**
(45) **Date of Patent:** **** Feb. 2, 2016**

(54) **SPRAY NOZZLE**

(71) Applicant: **MELNOR, INC.**, Winchester, VA (US)

(72) Inventors: **Ha V. Duong**, Winchester, VA (US);
Vicky A. Michael, Winchester, VA (US);
Juergen Nies, Winchester, VA (US);
Christopher Daniels, Columbus, OH
(US); **Eric Fickas**, Powell, OH (US)

(73) Assignee: **MELNOR, INC.**, Winchester, VA (US)

(**) Term: **14 Years**

(21) Appl. No.: **29/504,690**

(22) Filed: **Oct. 8, 2014**

(51) **LOC (10) Cl.** **23-01**

(52) **U.S. Cl.**
USPC **D23/223**

(58) **Field of Classification Search**
USPC D23/213, 223, 226; 239/525–527
CPC B25B 9/01; B05B 7/1209
See application file for complete search history.

(56) **References Cited**

U.S. PATENT DOCUMENTS

D370,713 S	6/1996	Guo	
D451,981 S	12/2001	Ericksen	
D468,802 S	1/2003	Nien	
D484,947 S	1/2004	Chen	
D534,241 S	12/2006	Wang	
D548,392 S	8/2007	Lo et al.	
D553,223 S	10/2007	Yu	
D558,858 S	1/2008	Chih	
D559,354 S	1/2008	Chih	
D584,381 S	1/2009	Hung	
D585,958 S	2/2009	Cheng	
D604,389 S	* 11/2009	Cheng D23/223

D604,390 S	11/2009	Cheng	
D606,625 S	12/2009	Zore	
D650,043 S	* 12/2011	Nies D23/223
D650,044 S	* 12/2011	Nies D23/223
D650,045 S	* 12/2011	Nies D23/223
D677,362 S	* 3/2013	Christopher D23/223
D678,980 S	* 3/2013	Nies D23/223
D681,777 S	5/2013	Nies et al.	
D702,319 S	* 4/2014	Mammen D23/223
D713,933 S	* 9/2014	Mammen D23/226
D714,908 S	* 10/2014	Mammen D23/226

OTHER PUBLICATIONS

Website—<http://melnor.com/watering-tools-2/nozzles-wands/aquaflor-titanium-series>; Melnor, Inc., 2014.

* cited by examiner

Primary Examiner — Robin V Webster

(74) *Attorney, Agent, or Firm* — Westerman, Hattori, Daniels & Adrian, LLP

(57) **CLAIM**

The ornamental design for a spray nozzle, as shown and described.

DESCRIPTION

FIG. 1 is a perspective front view of a spray nozzle;
FIG. 2 is a perspective rear view thereof;
FIG. 3 is a right side view thereof;
FIG. 4 is a left side view thereof;
FIG. 5 is a rear view thereof;
FIG. 6 is a front view thereof;
FIG. 7 is a top view thereof; and,
FIG. 8 is a bottom view thereof.
The broken lines illustrate environmental structure only and form no part of the claimed design.

1 Claim, 8 Drawing Sheets

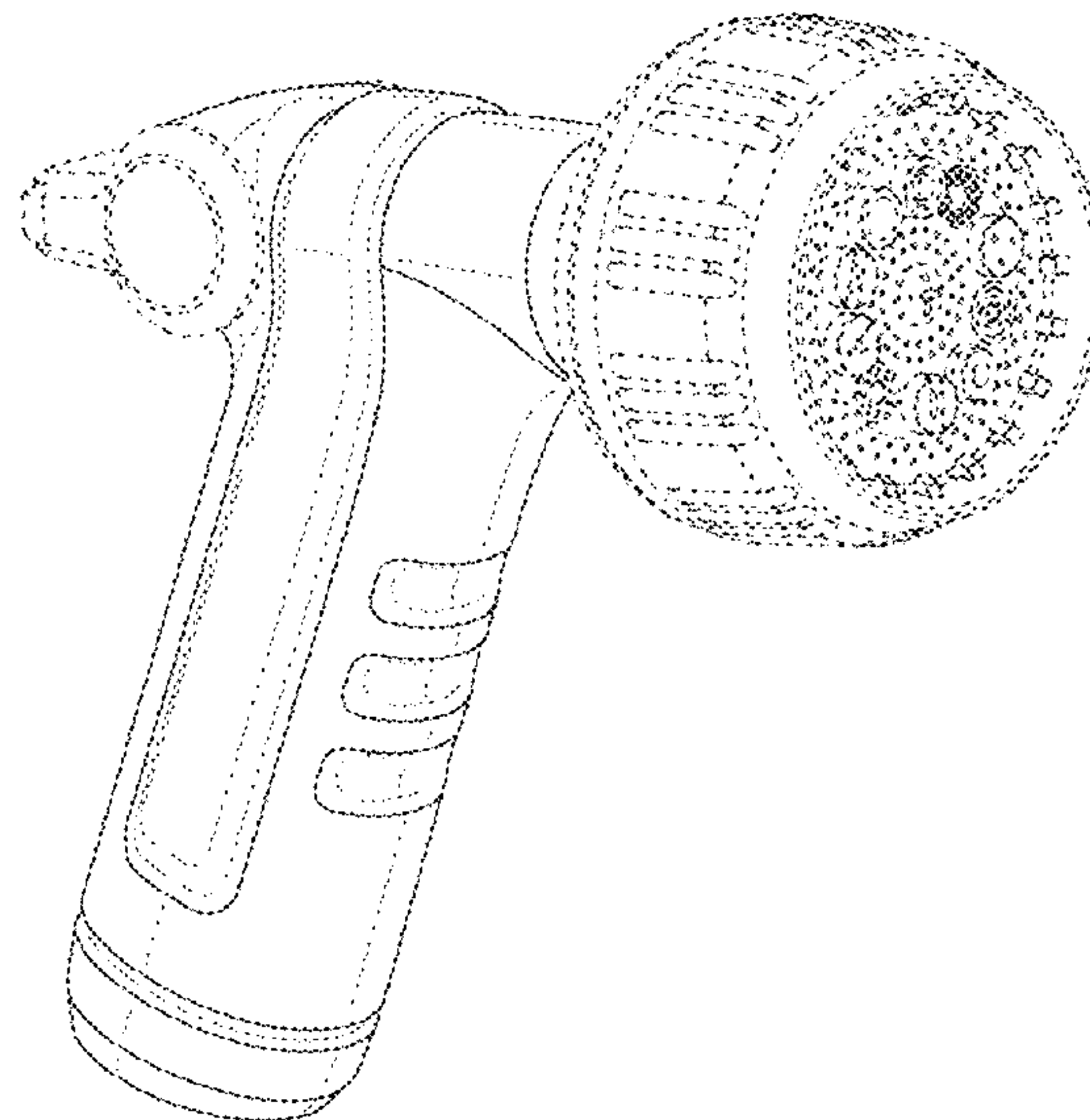


FIG. 1

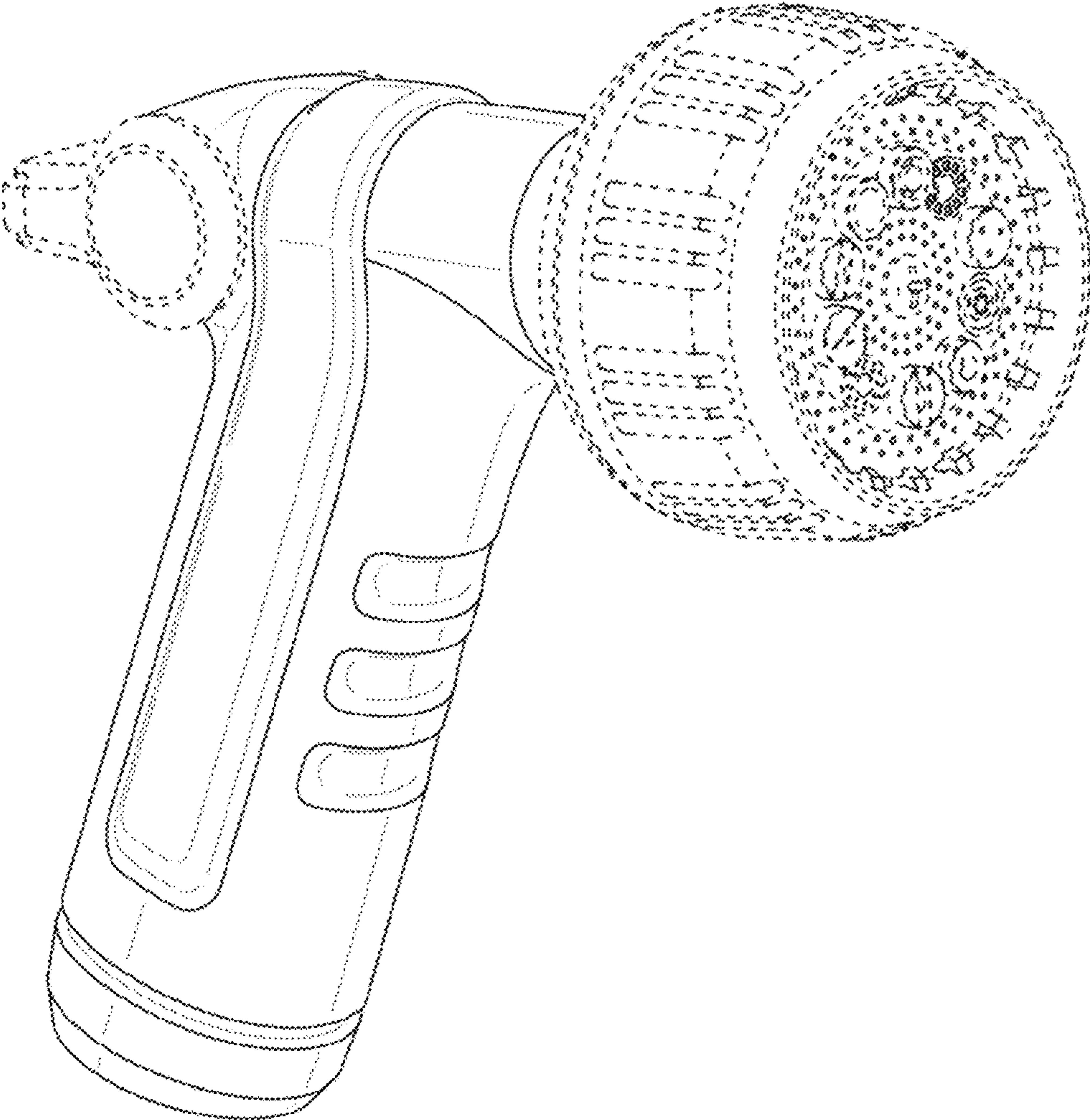


FIG.2

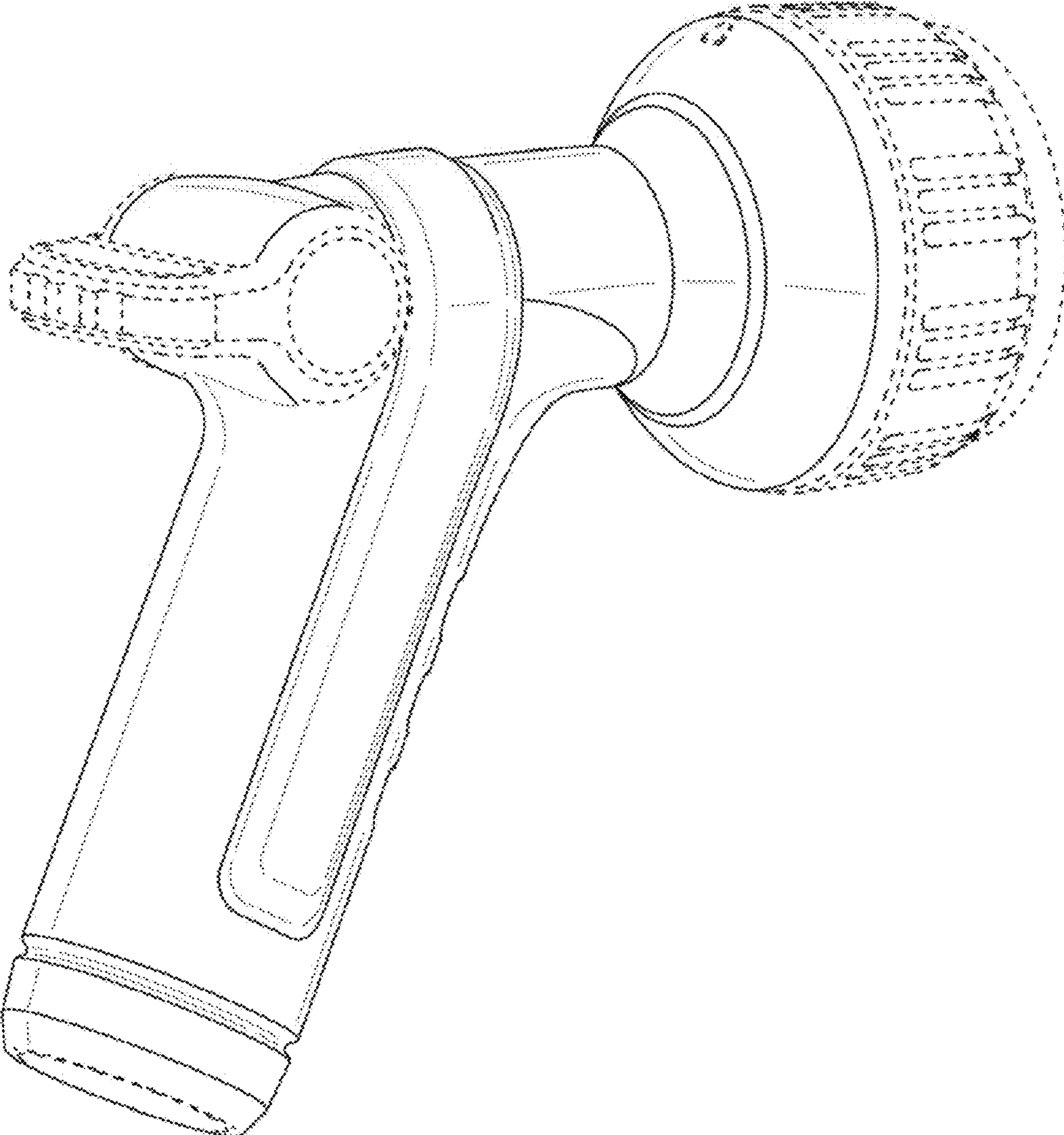


FIG.3

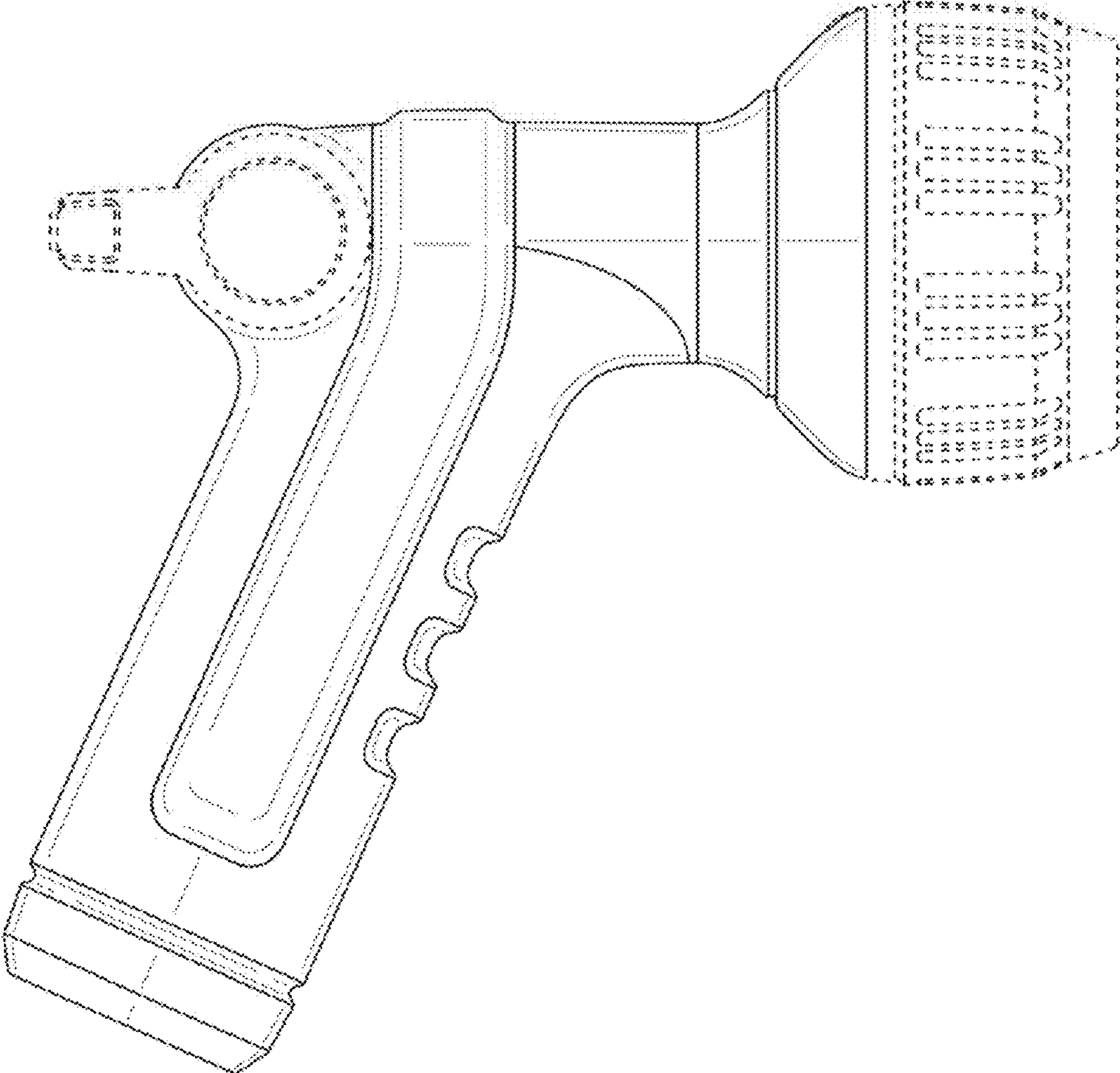


FIG.4

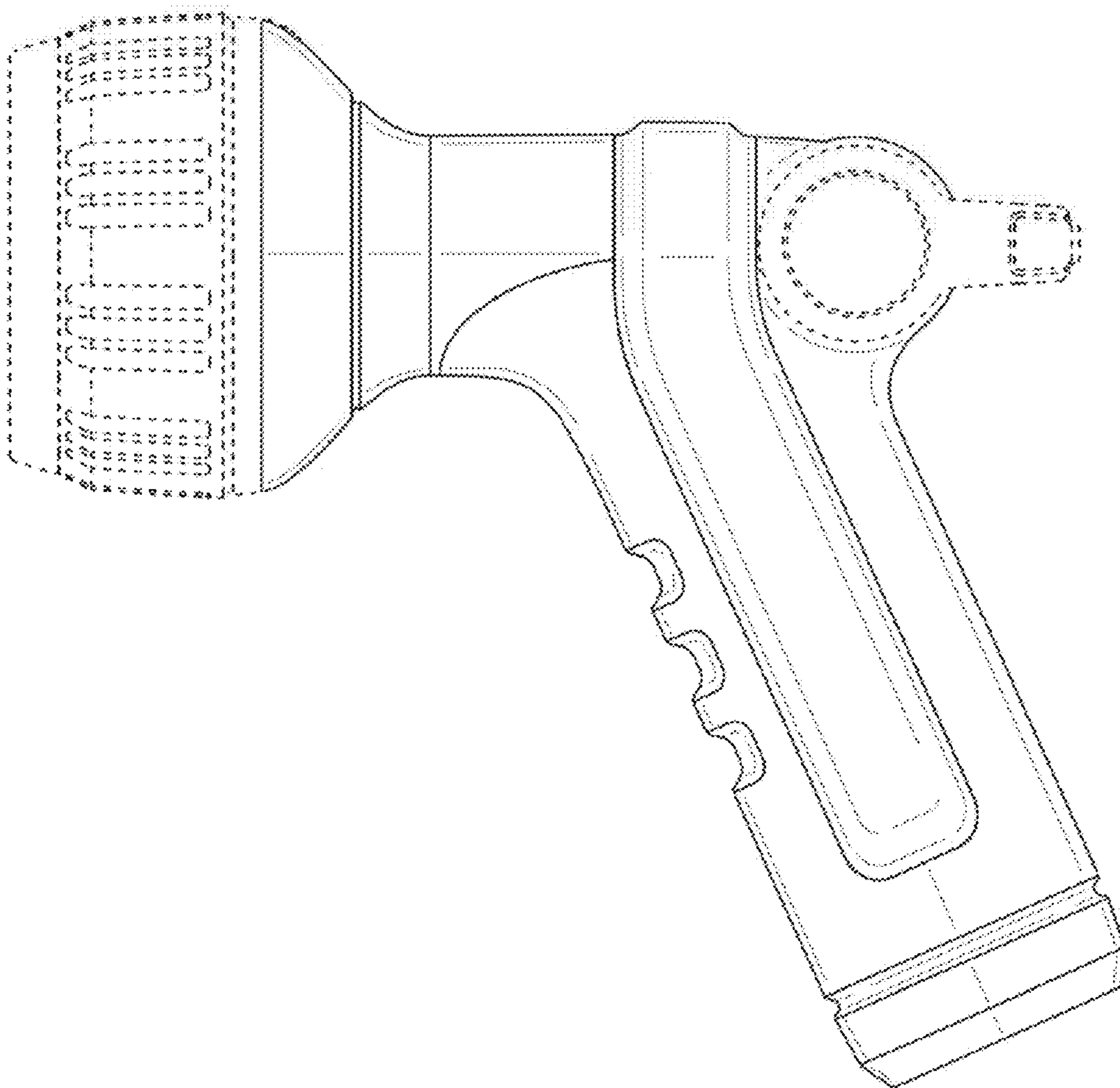


FIG. 5

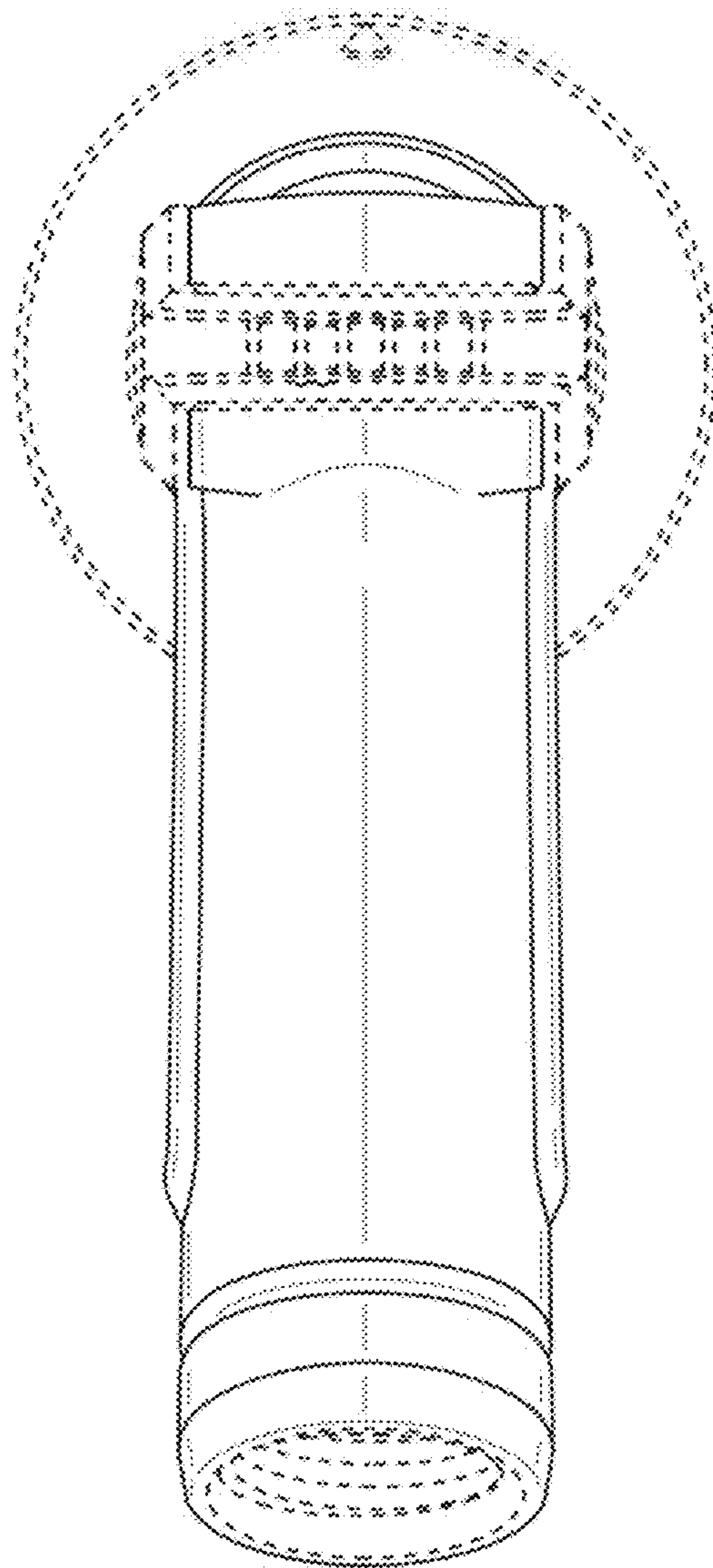


FIG.6

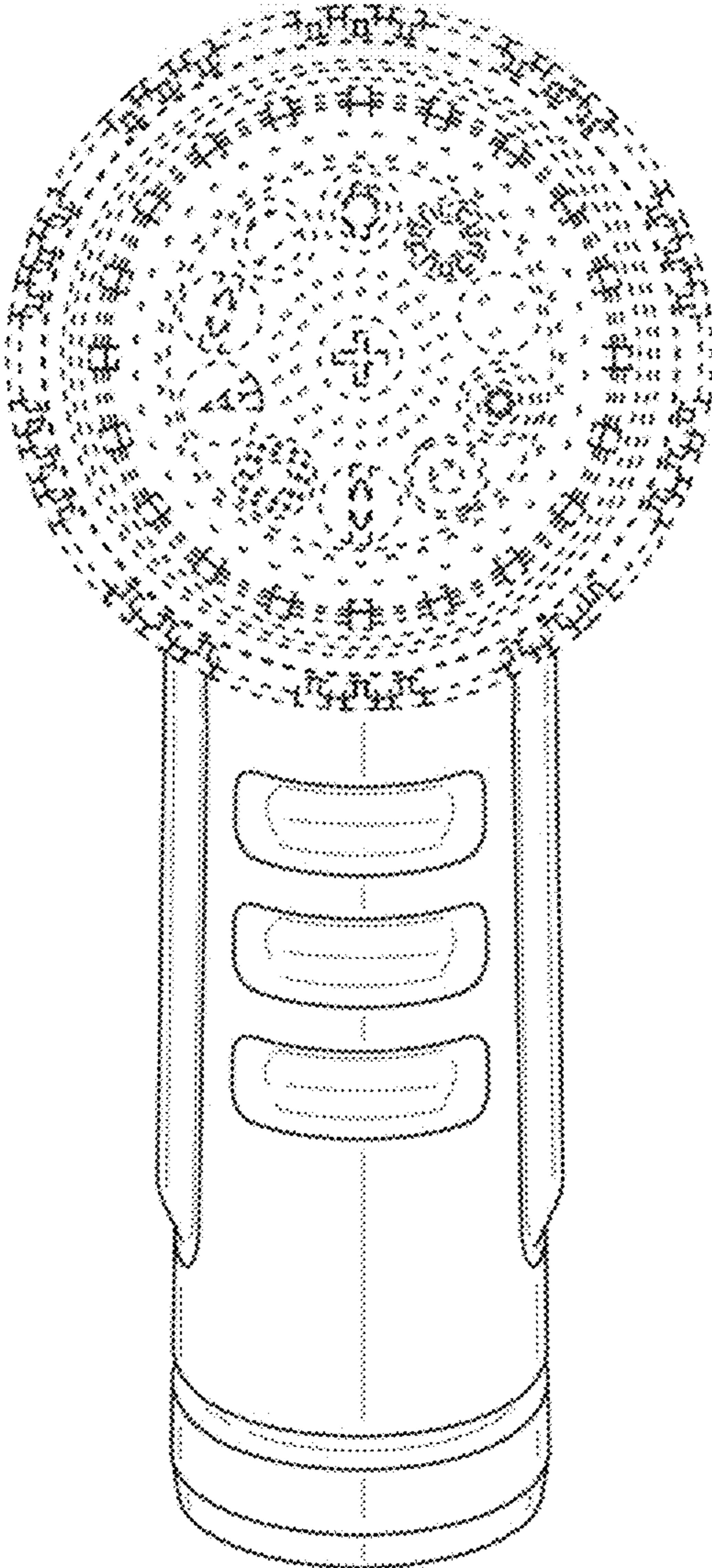


FIG.7

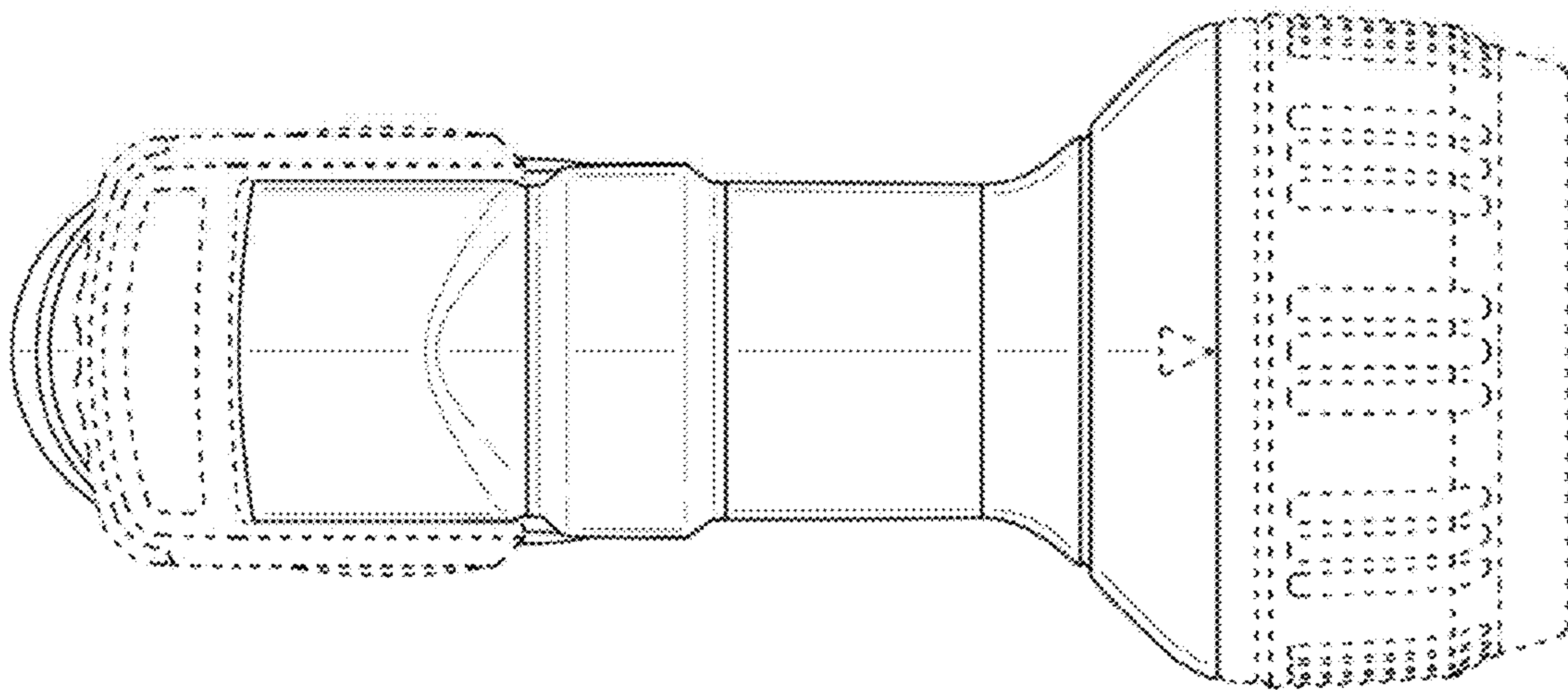


FIG.8

