



US00D748757S

(12) **United States Design Patent**
Holmes

(10) **Patent No.:** **US D748,757 S**

(45) **Date of Patent:** **** Feb. 2, 2016**

(54) **TURRET OF A SPRINKLER BASE**

(56) **References Cited**

(71) Applicant: **Katco Holdings Pty Ltd**, Valentine,
New South Wales (AU)

(72) Inventor: **Kathleen Patricia Holmes**, Wangi
Wangi (AU)

(73) Assignee: **Katco Holdings Pty Ltd** (AU)

(**) Term: **14 Years**

(21) Appl. No.: **29/502,910**

(22) Filed: **Sep. 20, 2014**

(30) **Foreign Application Priority Data**

Mar. 25, 2014 (AU) 11380/2014

(51) **LOC (10) Cl.** **23-01**

(52) **U.S. Cl.**
USPC **D23/214**

(58) **Field of Classification Search**
USPC D23/214, 216, 221; 239/240, 242, 273,
239/275, 276

CPC B05B 3/04; B05B 3/021; B05B 3/023

See application file for complete search history.

U.S. PATENT DOCUMENTS

D145,221 S *	7/1946	Lerch	D23/214
D346,202 S *	4/1994	Aquilina	D23/216
5,746,374 A *	5/1998	Simonetti	B05B 1/1645 239/240
D421,639 S *	3/2000	Clivio	D23/214
7,303,148 B2 *	12/2007	Campbell	B05B 15/062 239/276

* cited by examiner

Primary Examiner — Robin V Webster

(74) *Attorney, Agent, or Firm* — Chernoff Vilhauer
McClung & Stenzel, LLP

(57) **CLAIM**

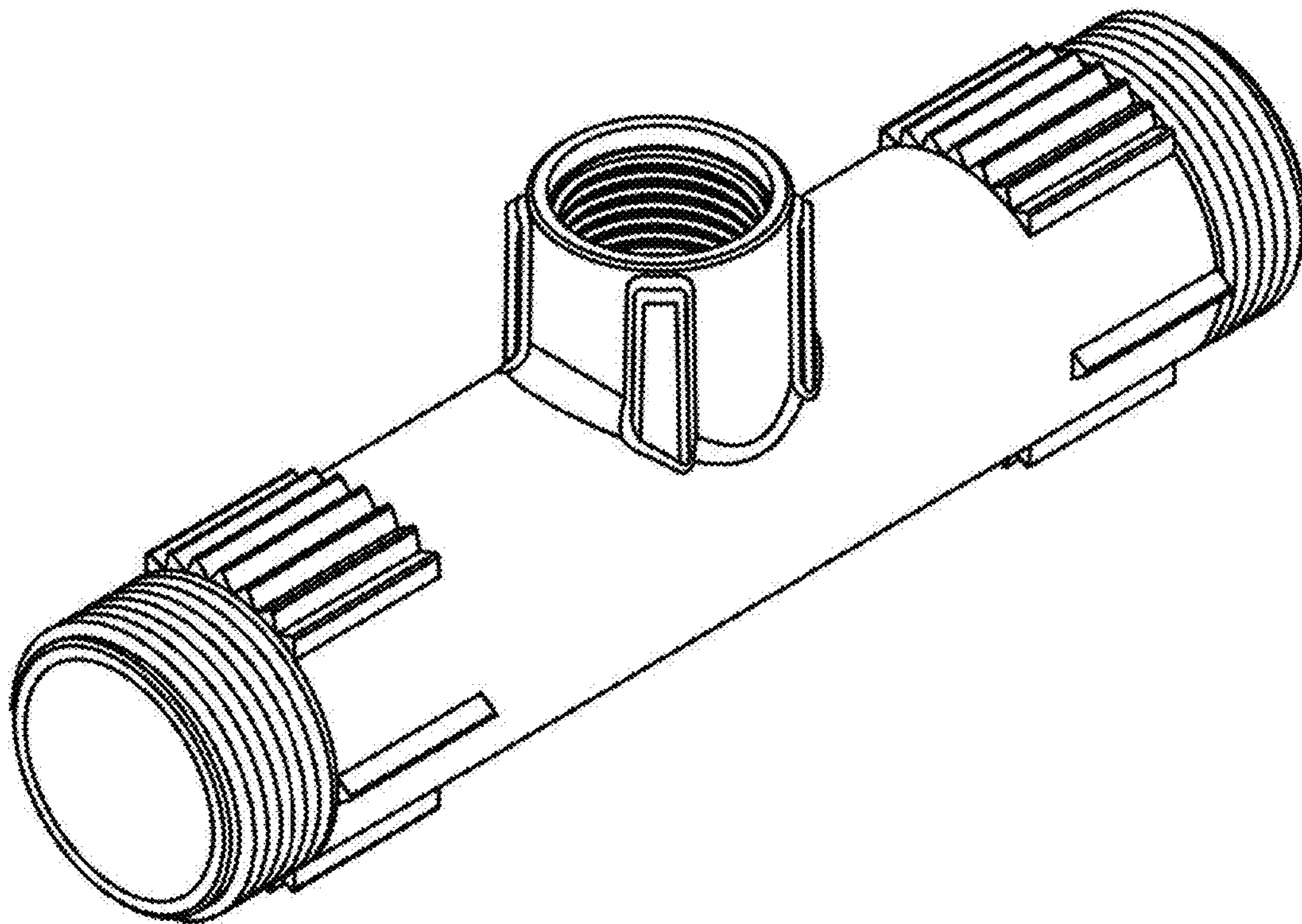
The ornamental design for a turret of a sprinkler base, as shown and described.

DESCRIPTION

FIG. 1 is a perspective view of a turret of a sprinkler base;
FIG. 2 is a front view of the turret of a sprinkler base of FIG. 1;
FIG. 3 is a right side view of the turret of a sprinkler base of FIG. 1;
FIG. 4 is a top view of the turret of a sprinkler base of FIG. 1; and,
FIG. 5 is a bottom view of the turret of a sprinkler base of FIG. 1.

The left side view of the turret of a sprinkler base is the same as the right side view and the rear view of the turret of a sprinkler base is the same as the front view.

1 Claim, 5 Drawing Sheets



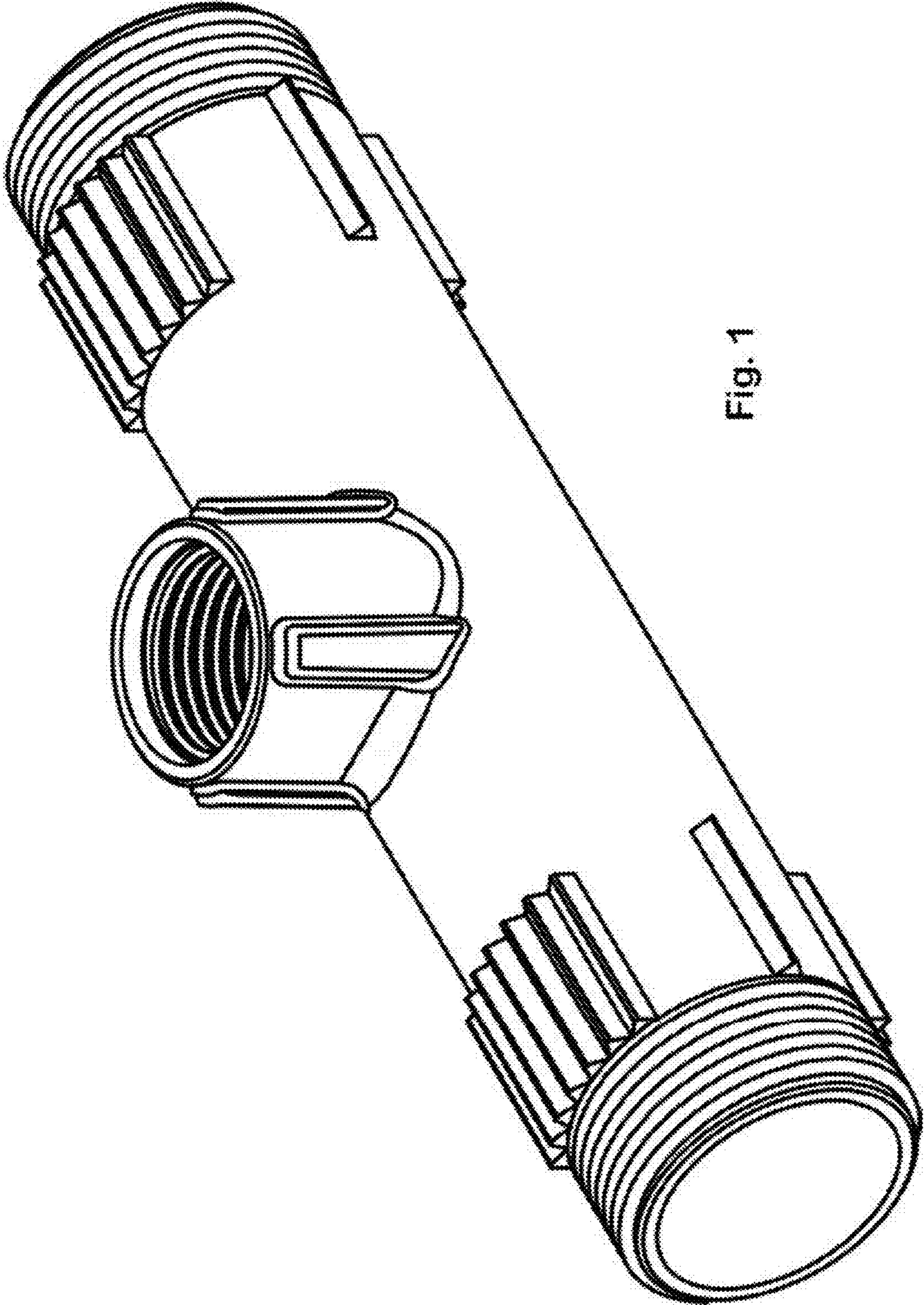


Fig. 1

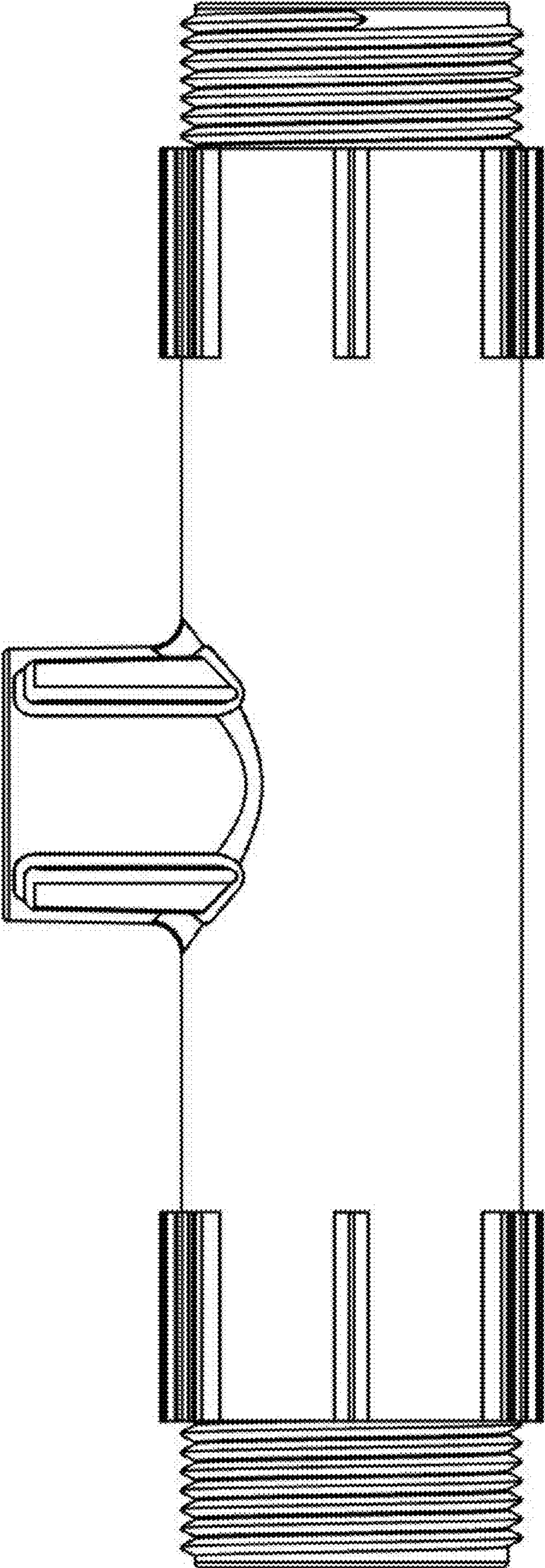


FIG. 2

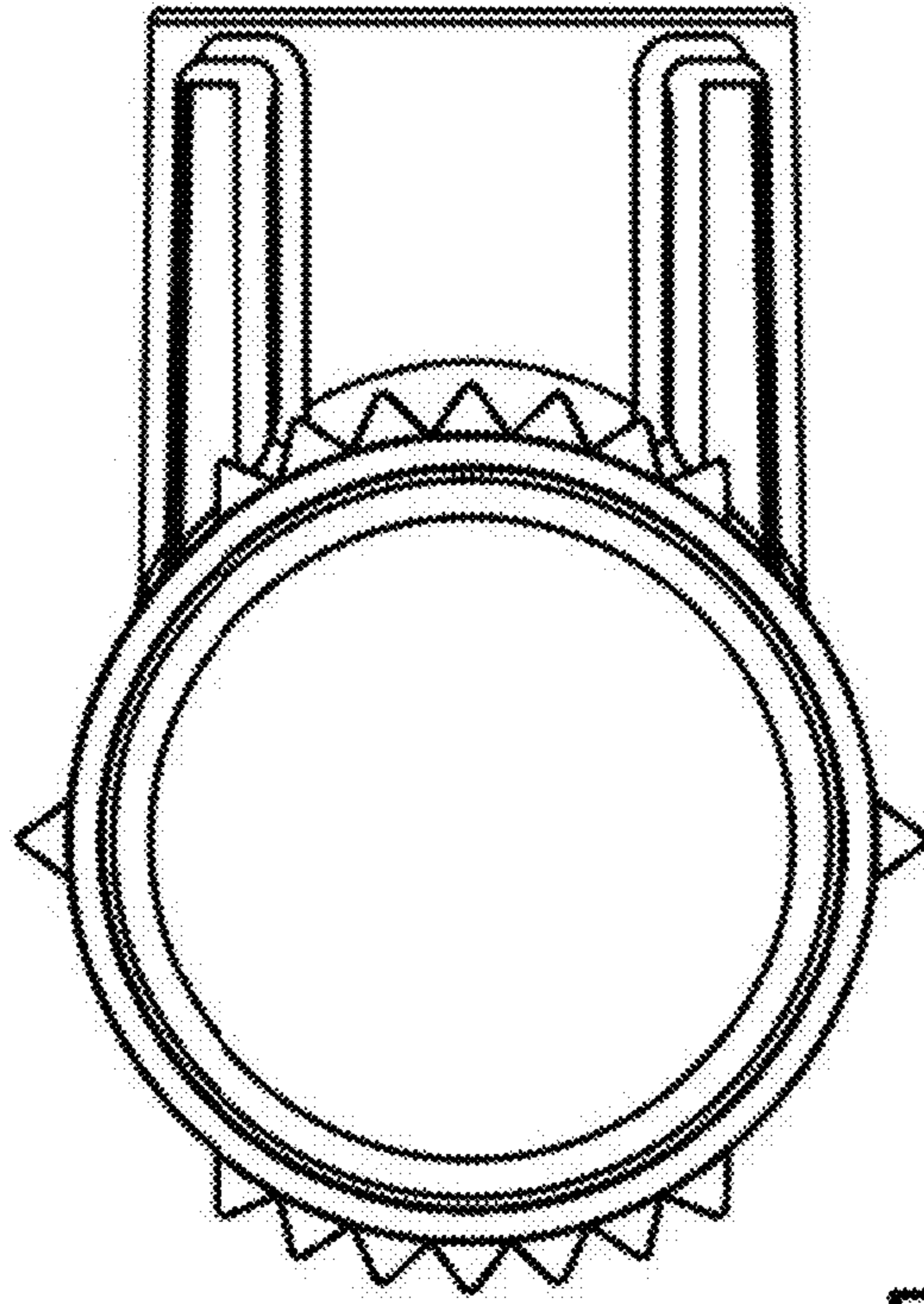


Fig. 3

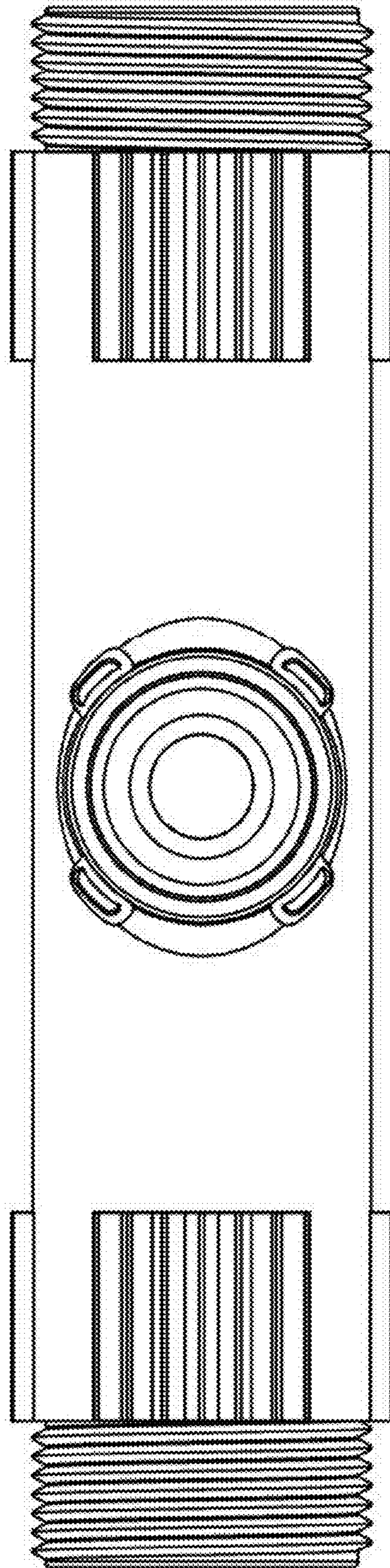


Fig. 4

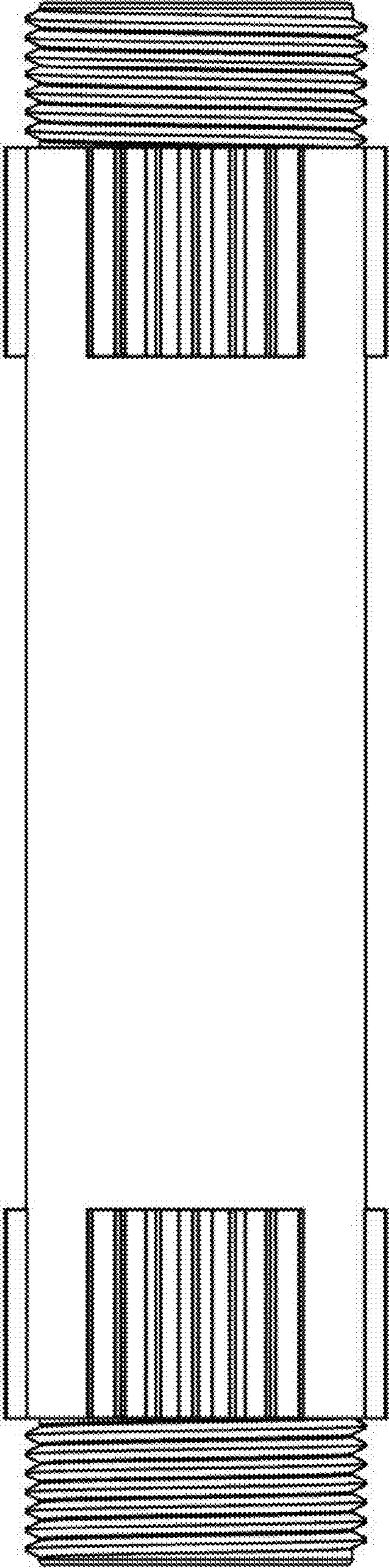


Fig. 5