



US00D748754S

(12) **United States Design Patent**  
**Chastain**

(10) **Patent No.:** **US D748,754 S**

(45) **Date of Patent:** **\*\* Feb. 2, 2016**

(54) **UPPER RECEIVER FOR A RIFLE**

2010/0319231 A1\* 12/2010 Stone ..... F41C 23/16  
42/71.01

(71) Applicant: **Curtis F. Chastain**, Dixon, CA (US)

\* cited by examiner

(72) Inventor: **Curtis F. Chastain**, Dixon, CA (US)

*Primary Examiner* — Michael A Pratt

(\*\*) Term: **14 Years**

(74) *Attorney, Agent, or Firm* — R. Michael West

(21) Appl. No.: **29/506,015**

(57) **CLAIM**

The ornamental design for an upper receiver for a rifle, as shown and described.

(22) Filed: **Oct. 12, 2014**

**DESCRIPTION**

(51) **LOC (10) Cl.** ..... **22-01**

(52) **U.S. Cl.**

USPC ..... **D22/108**

(58) **Field of Classification Search**

USPC ..... D22/103, 108; D21/572–575

CPC ..... F41C 23/00; F41C 27/00; F41C 27/06;

F41C 23/10; F41C 23/14; F41C 23/16;

F41C 23/18; F41A 5/18; F41A 5/24

See application file for complete search history.

FIG. 1 is a left front perspective view of an upper receiver for a rifle, showing my new design;  
FIG. 2 is a left side elevational view, thereof;  
FIG. 3 is a top plan view, thereof;  
FIG. 4 is a right side elevational view, thereof;  
FIG. 5 is a bottom plan view, thereof;  
FIG. 6 is a front elevational view, thereof;  
FIG. 7 is a rear elevational view, thereof; and,  
FIG. 8 is a left front perspective view, showing the two components of the article separated and in axial alignment.

The broken line representation of the rifle and scope in FIG. 1, and the broken line representation of the mounting holes and the mounting tabs shown variously in the Drawing Figures, are included solely for illustrative purposes, forming no part of the claimed design.

(56) **References Cited**

**U.S. PATENT DOCUMENTS**

D631,933 S \* 2/2011 Thompson ..... D22/108

D708,693 S \* 7/2014 Faxon ..... D22/108

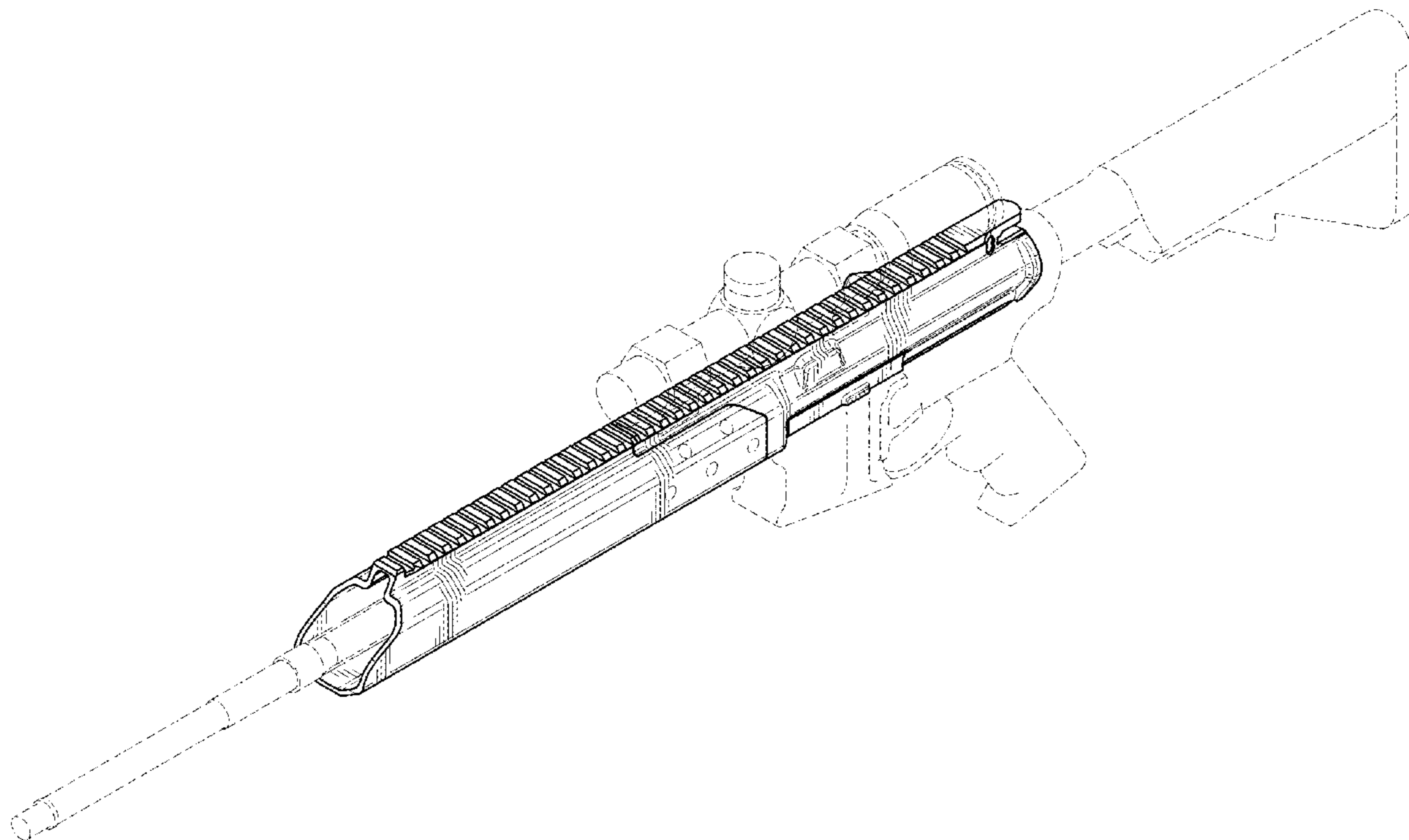
D713,483 S \* 9/2014 Firpo ..... D22/108

D717,904 S \* 11/2014 Oglesby ..... D22/108

D720,032 S \* 12/2014 Boutin ..... D22/108

D733,827 S \* 7/2015 Serbu ..... D22/103

**1 Claim, 4 Drawing Sheets**



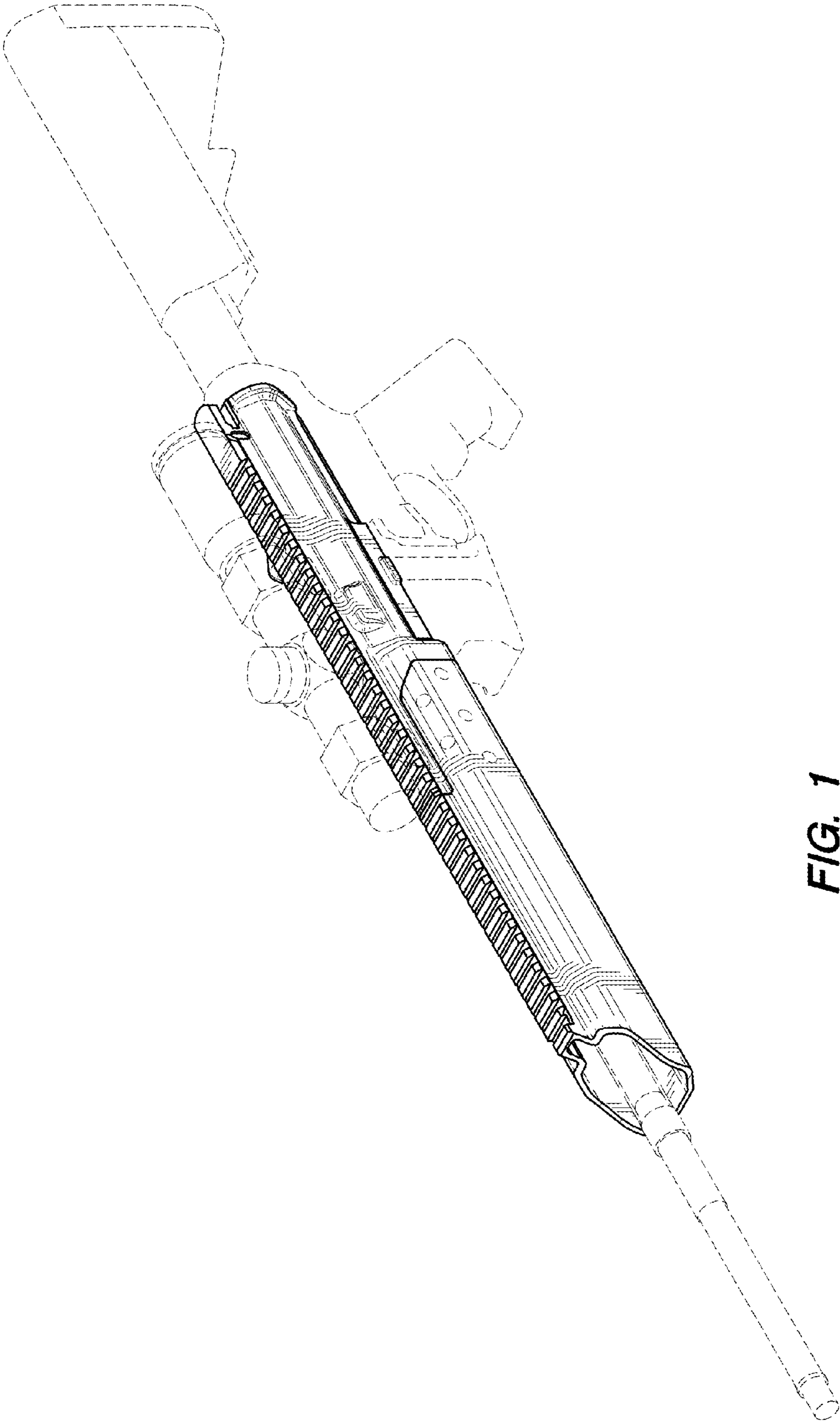


FIG. 1

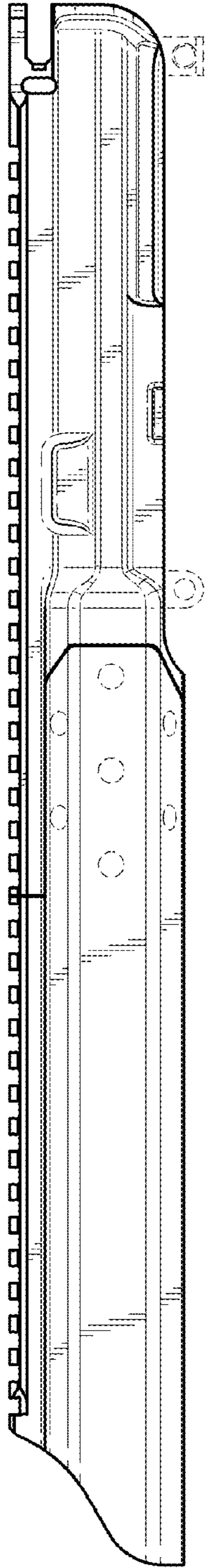


FIG. 2

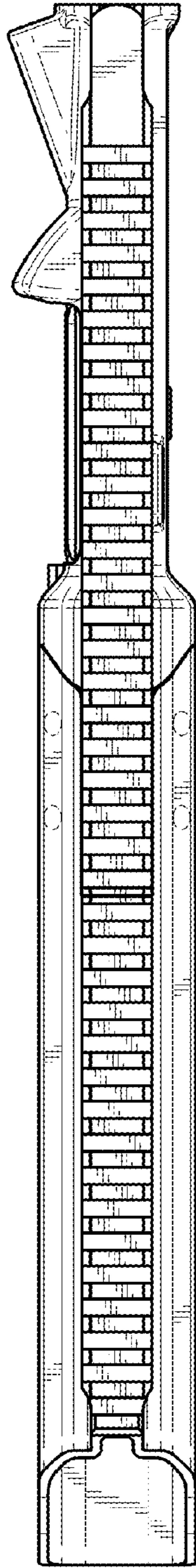


FIG. 3

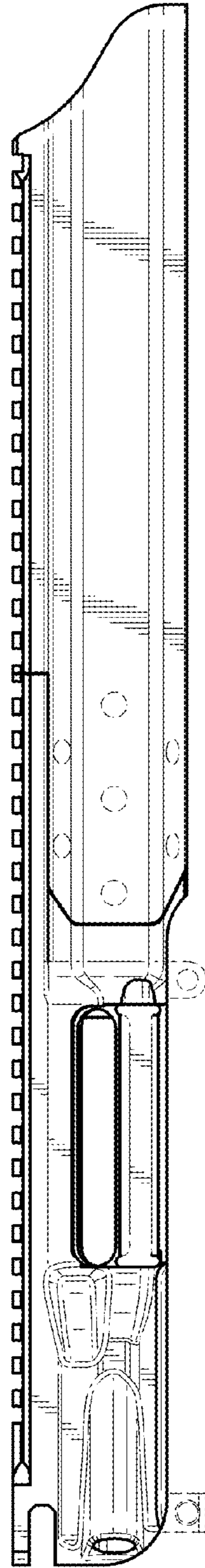


FIG. 4

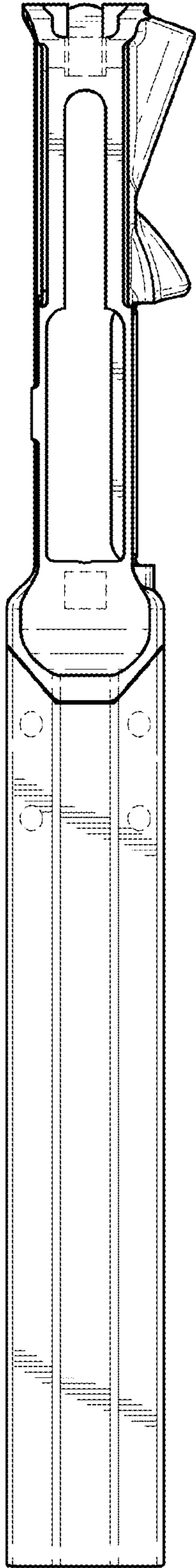


FIG. 5

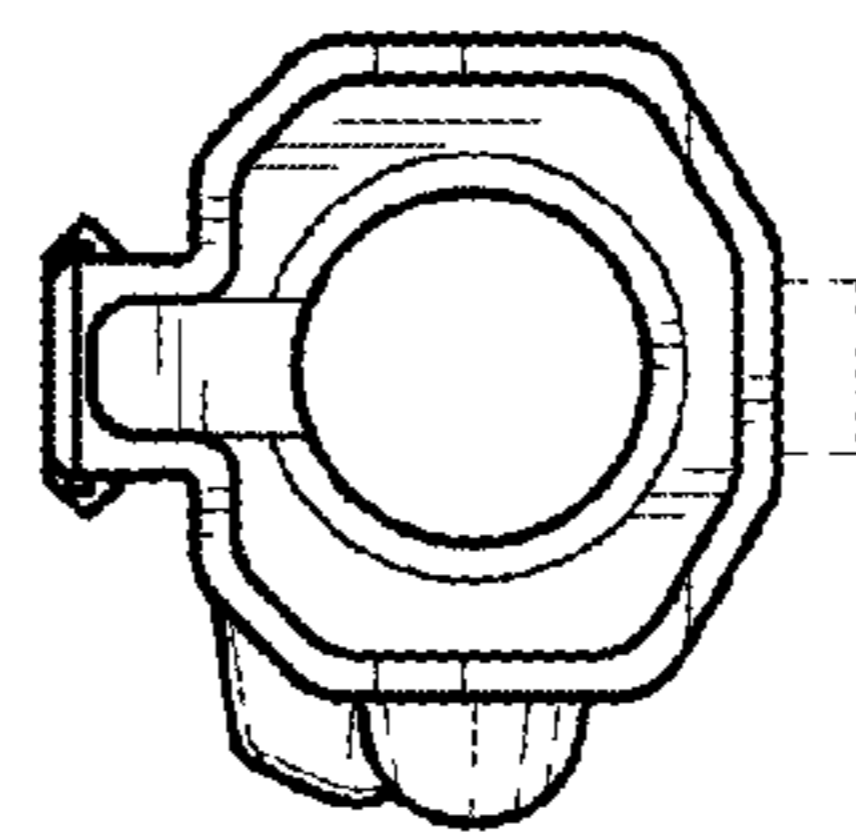


FIG. 6

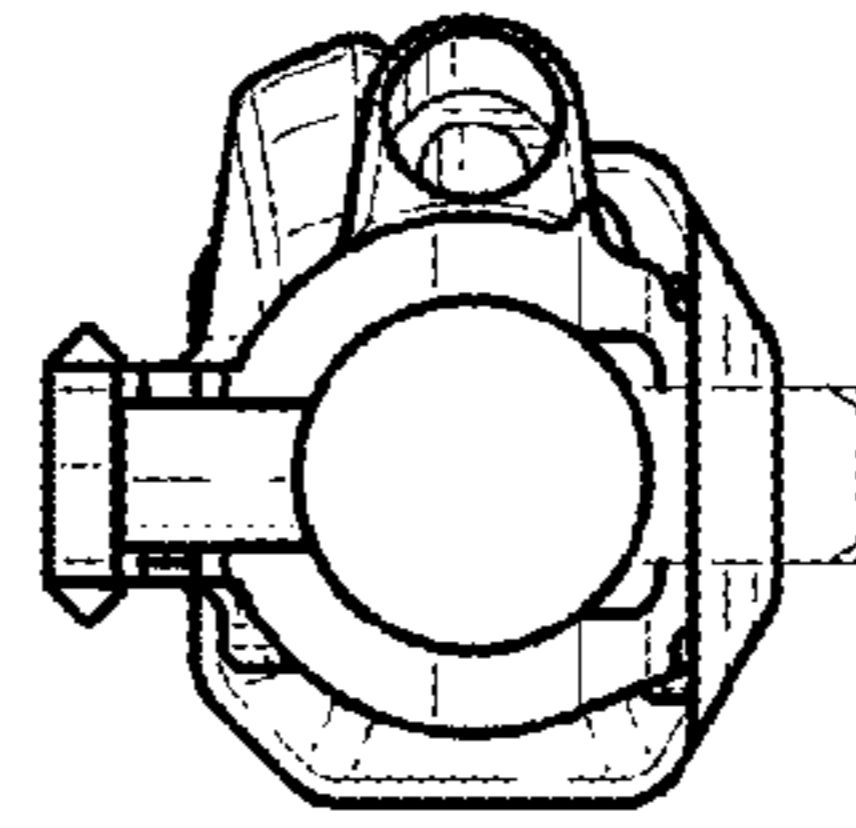


FIG. 7



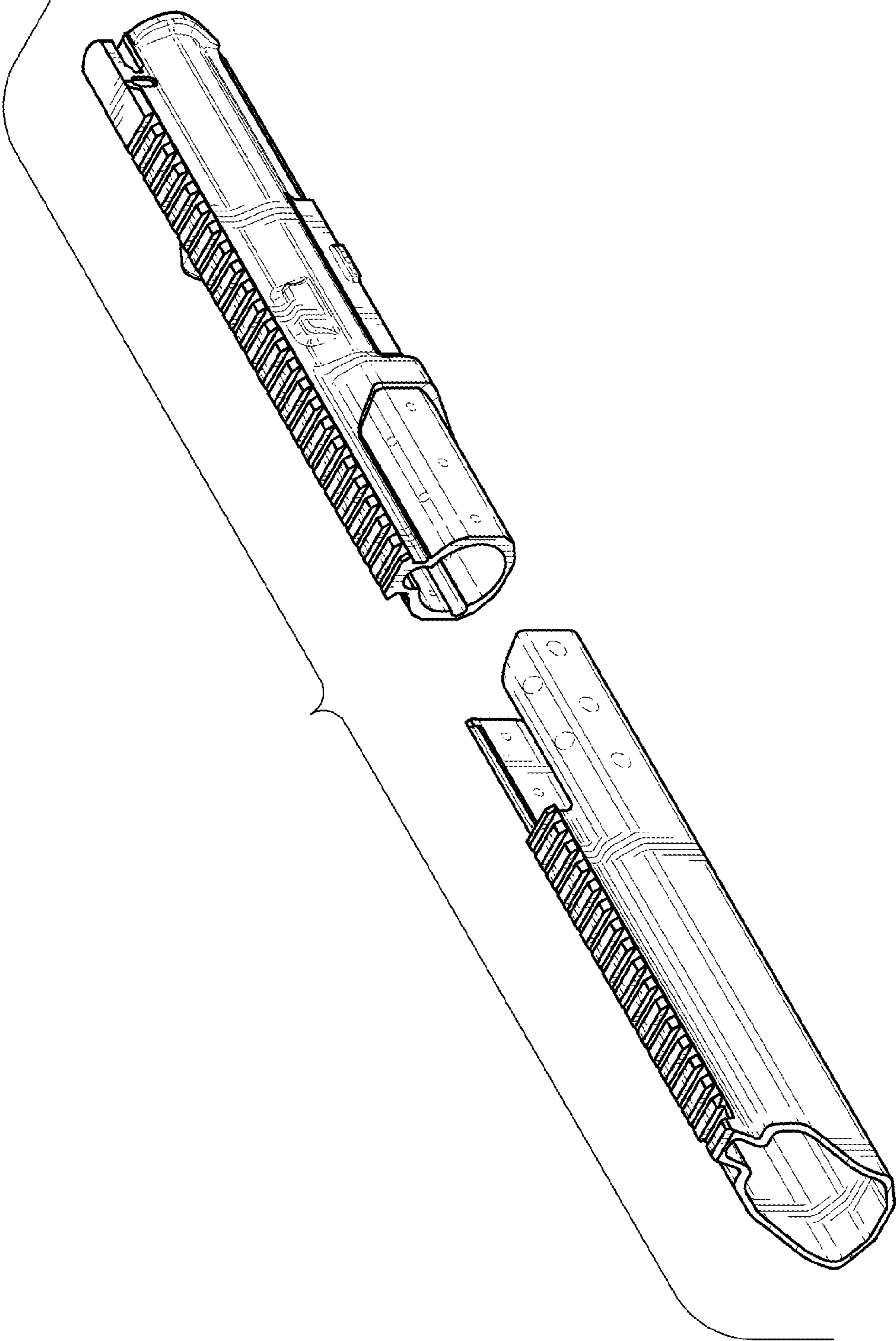


FIG. 8