



US00D748753S

(12) **United States Design Patent**  
**Chow et al.**

(10) **Patent No.:** **US D748,753 S**  
(45) **Date of Patent:** **\*\* Feb. 2, 2016**

(54) **SNAP HOOK ATTACHMENT FOR A FIREARM**

D639,890 S 6/2011 Troy, Jr.  
D669,150 S \* 10/2012 Mayberry ..... D22/108  
D698,405 S 1/2014 Kline

(Continued)

(71) Applicant: **Magpul Industries Corporation**, Erie, CO (US)

**OTHER PUBLICATIONS**

(72) Inventors: **Eric H. Chow**, Highlands Ranch, CO (US); **Michael T. Mayberry**, Denver, CO (US); **Christopher F. Miller**, Erie, CO (US); **William B. Bennett**, Lafayette, CO (US)

Amazon\_Noveske\_Qd\_Direct\_Attach\_Sling\_Mount Amazon Noveske Qd Direct Attach Sling Mount; Website [Online] Available Website: <http://www.amazon.com/Noveske-Direct-Attach-Sling-Mount/dp/B009LLULI4U>; Last Update: Unknown; Accessed on: Dec. 1, 2014.

(Continued)

(73) Assignee: **Magpul Industries Corporation**, Louisville, CO (US)

*Primary Examiner* — Michael A Pratt

(74) *Attorney, Agent, or Firm* — Swanson & Bratschun, L.L.C.

(\*\*) Term: **14 Years**

(57) **CLAIM**

(21) Appl. No.: **29/503,184**

The ornamental design for a snap hook attachment for a firearm, as shown and described.

(22) Filed: **Sep. 24, 2014**

**DESCRIPTION**

(51) **LOC (10) Cl.** ..... **22-01**

(52) **U.S. Cl.**  
USPC ..... **D22/108**

(58) **Field of Classification Search**  
USPC ..... D22/108; D8/349, 367, 373, 382  
CPC .... F41C 33/002; F41C 33/001; F41C 33/006;  
F41C 33/007; F41C 23/02; A45F 2003/142;  
A45F 3/12

See application file for complete search history.

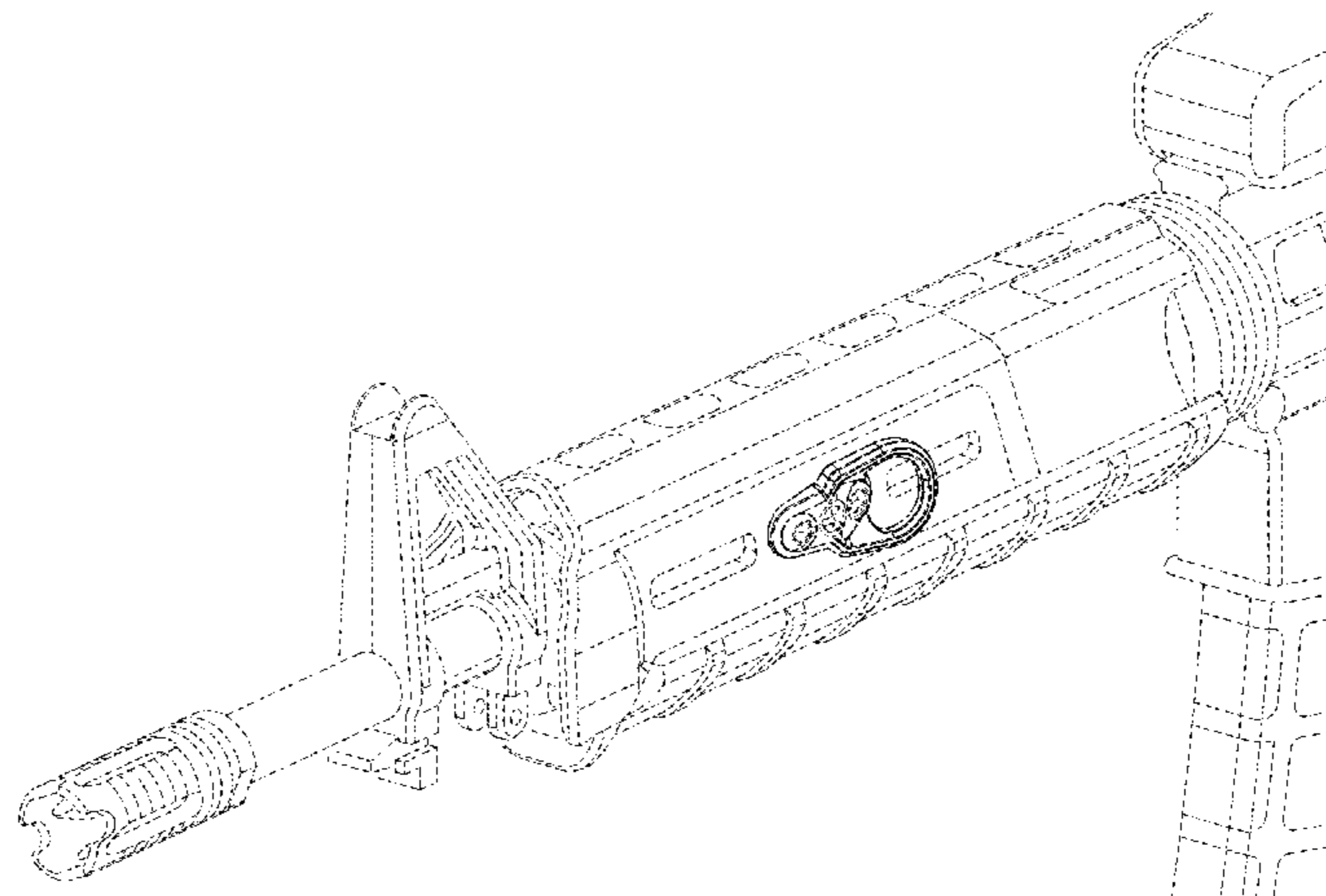
FIG. 1 is a left, front, top perspective view of snap hook attachment for a firearm attached to a firearm showing my new design;  
FIG. 2 is a right, front, top perspective view of the snap hook attachment for a firearm of FIG. 1;  
FIG. 3 is a left side elevation view of the snap hook attachment for a firearm of FIG. 1, the right side elevation being a mirror image;  
FIG. 4 is a top plan view of the snap hook attachment for a firearm of FIG. 1; and  
FIG. 5 is a bottom plan view of the snap hook attachment for a firearm of FIG. 1.  
FIG. 6 is a front elevation view of the snap hook attachment for a firearm of FIG. 1; and,  
FIG. 7 is a rear elevation view of the snap hook attachment for a firearm of FIG. 1.  
The broken lines showing portions of the design in all figures are included for the purpose of illustrating environment and unclaimed features and form no part of the claimed design.

(56) **References Cited**

**U.S. PATENT DOCUMENTS**

2,723,430	A	11/1955	Paillard	
3,882,576	A	5/1975	Kanno	
D429,791	S	8/2000	Bullock	
6,305,535	B1	10/2001	Fair	
6,598,330	B2	7/2003	Garrett	
D508,726	S	8/2005	Storch	
D612,895	S	3/2010	Stein	
D636,835	S *	4/2011	Fitzpatrick	D22/108
D636,836	S *	4/2011	Fitzpatrick	D22/108

**1 Claim, 4 Drawing Sheets**



(56)

**References Cited**

## U.S. PATENT DOCUMENTS

D706,378 S \* 6/2014 Fitzpatrick ..... D22/108  
 D721,571 S \* 1/2015 Roberts ..... D22/108  
 9,052,157 B1 \* 6/2015 Montes ..... F41C 23/02  
 2009/0140019 A1 6/2009 Martinich  
 2010/0287808 A1 11/2010 King  
 2013/0305582 A1 11/2013 Mayberry

## OTHER PUBLICATIONS

Amazon\_Troy\_Industries\_QD\_360\_Push\_Button\_Rail\_Mount\_Swivel Amazon Troy Industries Q.D. 360 Push Button Rail Mount with Swivel; Website [Online] Available Website: [http://www.amazon.com/Troy-Industries-Button-Mount-Swivel/dp/B001QAC00C/ref=sr\\_1\\_12?ie=UTF8&qid=1414449525&sr=8-12&keywords=qd+sling+mounts](http://www.amazon.com/Troy-Industries-Button-Mount-Swivel/dp/B001QAC00C/ref=sr_1_12?ie=UTF8&qid=1414449525&sr=8-12&keywords=qd+sling+mounts); Last Update: Unknown; Accessed on: Dec. 2, 2014.  
 Battenfeld\_2014\_Delta\_Series\_AR-15\_Upper\_Vise\_Block\_Clamp Battenfeld Technologies Inc. (Jul. 2, 2014) Delta Series AR-15 Upper Vise Block Clamp; Website [Online] Available Website: <http://www.btibrands.com/product/delta-series-ar-15-upper-vise-block-clamp/>; Last Update: Unknown; Accessed on: Oct. 28, 2014.  
 Battenfeld\_Delta\_Series\_AR-15\_Mag\_Well\_Vise\_Block Battenfeld Technologies Inc. Delta Series AR-15 Mag Well Vise Block; Website [Online] Available Website: <http://www.btibrands.com/product/delta-series-ar-15-mag-well-vise-block/>; Last Update: Unknown; Accessed on: Oct. 28, 2014.  
 Bravo Company USA Sling-Swivel-Mounts, Online Catalog (2010), <http://www.bravocompanyusa.com/Sling-Swivel-Mounts-s/63.htm>.  
 BravoCompanyUSA\_2014\_BCMGUNFIGHTER\_KeyMod\_Quick BravoCompanyUSA (Aug. 11, 2014) BCMGUNFIGHTER KeyMod™ Quick Detachable Sling Mount; Website [Online] Available Website: <http://www.bravocompanyusa.com/BCMGUNFIGHTER-KeyMod-Quick-Detachable-Sling-Mo-p/bcm-kmsm.htm>; Last Update: Unknown; Accessed on: Dec. 2, 2014.  
 BravoCompanyUSA\_Daniel\_Defense\_Rail\_Mount\_QD\_Swivel\_Attachment BravoCompanyUSA Daniel Defense Rail Mount QD Swivel Attachment Point w/HD QD Sling Swivel (Rock & Lock); Website [Online] Available Website: <http://www.bravocompanyusa.com/Daniel-Defense-Rail-Mount-QD-Swivel-Attachment-Poi-p/dd-30029.htm>; Last Update: Unknown; Accessed on: Dec. 2, 2014.  
 Brownells\_2012\_MIDWEST\_INDUSTRIES\_INC\_AR-15\_CAR-15\_QUICK\_DETACH\_SWIVEL Brownells (Dec. 6, 2012) Midwest Industries Inc.—AR-15/CAR-15 Quick Detach Swivel; Website [Online] Available Website: <http://www.brownells.com/shooting-accessories/slugs-sling-swivels/sling-loop-sets/ar-15-car-15-quick-detach-swivel-prod24866.aspx>; Last Update: Apr. 25, 2014; Accessed on: Jan. 26, 2015.  
 Brownells\_2012\_UNCLE\_MIKES\_QD\_SWIVELS Brownells (Nov. 13, 2012) Uncle Mikes—Qd Swivels; Website [Online] Available Website: <http://www.brownells.com/shooting-accessories/slugs-sling-swivels/rifle-swivel-sets/qd-swivels-prod27299.aspx>; Last Update: May 2, 2013; Accessed on: Jan. 26, 2015.  
 Carr\_Lane\_2006\_Ball\_Lock\_Pins Carr Lane Manufacturing Co. (2006) Ball Lock Pins; Website [Online] Available Website: <http://www.carrlane.com/catalog/index.cfm/26825071F0B221118070C1C512D020609090C00154820131809041D1E173C31B28535742>; Last update: Jul. 20, 2014; Accessed on: Dec. 2, 2014.  
 DSGArms\_IWC\_QD\_Rotation\_Limited\_Sling\_MOUNT\_N\_SLOT\_for\_Buttstock DSGArms IWC QD Rotation Limited Sling MOUNT-N-SLOT for Buttstock; Website [Online] Available Website: <https://dsgarms.com/iwcsqdrlbs>; Last Update: Unknown; Accessed on: Dec. 1, 2014.  
 GrovTec\_GT\_Swivels GrovTec US, Inc. GT Swivels; Website [Online] Available Website: <http://www.grovttec.com/catalog/gt-swivels/>; Last Update: Unknown; Accessed on: Jan. 26, 2015.

GrovTec\_Manganese\_Phosphate\_Heavy\_Duty\_Push\_Button\_Swivels GrovTec US, Inc. Manganese Phosphate Heavy Duty Push Button Swivels; Website [Online] Available Website: <http://www.grovttec.com/catalog/gt-swivels/manganese-phosphate-heavy-duty-push-button-swivels-gtsw-288-200/>; Last update: Unknown; Accessed on: Dec. 2, 2014.  
 Impact\_Weapons\_Components\_2011\_QD\_Micro\_Flush\_QD\_Sling\_Mount Impact Weapons Components (Sep. 14, 2011) QD Micro Flush QD Sling Mount; Website [Online] Available Website: <http://www.impactweaponscomponents.com/product/qd-micro-mount/>; Last Update: Sep. 28, 2014; Accessed on: Dec. 1, 2014.  
 Lancer\_Systems\_2012\_AWM\_Magazine Lancer Systems (2012) L5 AWM Magazine; Website [Online] Available Web Site: [http://www.lancer-systems.com/L5\\_AWM.html](http://www.lancer-systems.com/L5_AWM.html); Last Update: Unknown; Accessed on: May 4, 2012.  
 M4Carbine\_Midwest\_Industries\_M\_LOK\_QD\_Sling\_Socket M4Carbine Midwest Industries M-LOK QD Sling Socket; Website [Online] Available Website: <http://www.m4carbine.net/showthread.php?158561-Midwest-Industries-M-LOK-QD-Sling-Socket>; Last Update: Unknown; Accessed on: Dec. 1, 2014.  
 Magpul\_RVG\_Rail\_Vertical\_Grip Magpul Industries Corporation RVG®—Rail Vertical Grip; Website [Online] Available Website: <http://store.magpul.com/product/MAG412/rails>; Last Update: Unknown; Accessed on: Sep. 17, 2014.  
 Mako\_Group\_Tactical\_Pivoting\_QR\_Vertical\_Foregrip Mako Group Tactical Pivoting QR Vertical Foregrip with Integrated Adjustable Bipod—Gen 2; Website [Online] Available Website: <http://www.themakogroup.com/Detail.aspx?PROD=1042875>; Last Update: Unknown; Accessed on: Sep. 18, 2014.  
 McMaster\_1996\_Quick\_Disconnect\_Hose\_Couplings McMaster Carr (Nov. 10, 1996) Quick Disconnect Hose Couplings; Website [Online] Available Website: <http://www.mcmaster.com/#standard-quick-disconnect-hose-couplings/=vkdxbm>; Last Update: Jan. 15, 2015; Accessed on: Jan. 15, 2015.  
 MidwayUSA\_ERGO\_Picatinny\_Rail\_Sling\_Mount MidwayUSA ERGO Picatinny Rail Sling Mount Fixed HK Loop Aluminum Matte; Website [Online] Available Website: <http://www.midwayusa.com/product/565658/ergo-picatinny-rail-sling-mount-fixed-hk-loop-aluminum-matte>; Last Update: Unknown; Accessed on Dec. 2, 2014.  
 Noveske\_2014\_Flush\_QD\_Sling\_Mount Noveske (Jul. 12, 2014) Flush QD Sling Mount; Website [Online] Available Website: <http://www.shopnoveske.com/products/flush-qd-sling-mount>; Last Update: Unknown; Accessed on: Dec. 1, 2014.  
 PrimaryArmscom\_Gear\_Sector\_Rail\_Mount PrimaryArms.com Gear Sector Rail Mount QD Swivel Black GS-3050; Website [Online] Available Website: [https://www.primaryarms.com/Gear\\_Sector\\_Rail\\_Mount\\_QD\\_Swivel\\_Black\\_p/gs-3050.htm](https://www.primaryarms.com/Gear_Sector_Rail_Mount_QD_Swivel_Black_p/gs-3050.htm); Last Update: Unknown; Accessed on: Dec. 2, 2014.  
 RainierArms\_BCM\_GUNFIGHTER\_KeyMod\_QD\_Sling\_Mount Rainier Arms BCM GUNFIGHTER KeyMod QD Sling Mount; Website [Online] Available Website: <http://www.rainierarms.com/bcm-gunfighter-keymod-qd-sling-mount>; Last Update: Unknown; Accessed on: Jan. 15, 2015.  
 RainierArms\_Fortis\_KeyMod\_QD\_Sling\_Mount\_Black Rainier Arms Fortis KeyMod QD Sling Mount Black; Website [Online] Available Website: <http://www.rainierarms.com/fortis-keymod-qd-sling-mount-black>; Last Update: Unknown; Accessed on: Jan. 15, 2015.  
 RainierArms\_Fortis\_Rail\_Attachment\_Point Rainier Arms Fortis Rail Attachment Point; Website [Online] Available Website: <http://www.rainierarms.com/fortis-rail-attachment-point>; Last Update: Unknown; Accessed on: Jan. 15, 2015.  
 RainierArms\_Gear\_Sector\_Rail\_Mount\_QD\_Socket\_Foliage\_Green Rainier Arms Gear Sector Rail Mount QD Socket: Foliage Green; Website [Online] Available Website: <http://www.rainierarms.com/gear-sector-rail-mount-qd-socket-foliage-green>; Last Update: Unknown; Accessed on: Jan. 15, 2015.

(56)

**References Cited**

## OTHER PUBLICATIONS

RainierArms\_MI\_Sling\_Mount\_for\_Tactical\_Rail Rainier Arms MI Sling Mount for Tactical Rails w/ Quick Detach Swivel; Website [Online] Available Website: <http://www.rainierarm.com/mi-sling-mount-for-tactical-rails-w-quick-detach-swivel>; Last Update: Unknown; Accessed on: Jan. 15, 2015.

RainierArms\_Noveske\_QD\_Flush\_Mount Rainier Arms Noveske QD Flush Mount; Website [Online] Available Website: <http://www.rainierarms.com/Noveske-gd-flush-mount-6025>; Last Update: Unknown; Accessed on: Jan. 15, 2015.

RainierArms\_Viking\_Tactics\_Low\_Profile\_Sling\_Mount Rainier Arms Viking Tactics Low Profile Sling Mount; Website [Online] Available Website: <http://www.rainierarms.com/viking-tactics-low-profile-sling-mount>; Last Update: Unknown; Accessed on: Jan. 15, 2015.

RainierArms\_Viking\_Tactics\_Rail\_Less\_Sling\_Swivel\_Mount Rainier Arms Viking Tactics Rail-Less Sling Swivel Mount; Website [Online] Available Website: <http://www.rainierarms.com/viking-tactics-rail-less-sling-swivel-mount>; Last Update: Unknown; Accessed on: Jan. 15, 2015.

SureFire\_2012\_M900V\_Vertical\_Foregrip\_LED\_WeaponLight SureFire.com (Jul. 2, 2012) M900V Vertical Foregrip LED WeaponLight—White and IR Output; Website [Online] Available Website: <http://www.surefire.com/m900v.html>; Last Update: Oct. 4, 2013; Accessed on: Sep. 18, 2014.

The\_Firearm\_Blog\_2013\_Ultra\_Low\_Profile\_Picatinny\_Sling\_Attachment\_Prototype TheFirearmBlog.com (Oct. 27, 2013) Ultra Low Profile Picatinny Sling Attachment Prototype; Website [Online] Available Website: <http://www.thefirearmblog.com/blog/2013/10/21/ultra-profile-picatinny-sling-attachment-prototype/>; Last Update: Dec. 29, 2013; Accessed on: Dec. 16, 2014.

Trading\_Plate\_Pawn\_Geissele\_ALG\_DEFENSE-FORGED\_QD\_SLING\_SWIVEL Trading Place Geissele ALG Defense—Forged QD Sling Swivel; Website [Online] Available Website: <http://tradingplacepawn.com/shop-online/geissele-alg-defense-forged-qd-sling-swivel/html>; Last Update: Unknown; Accessed on: Jan. 25, 2015.

Design U.S. Appl. No. 29/354,003, “Rail-Mounted Sling Adapter” filed Jan. 18, 2010.

Design U.S. Appl. No. 29/353,999, “Ring for Securing a Sling” filed Jan. 18, 2010.

Design U.S. Appl. No. 29/399,459, “Sling Adapter” filed Aug. 15, 2011.

Design U.S. Appl. No. 29/477,461, “Snap Hook Interface for a Firearm” filed Dec. 23, 2013.

Design U.S. Appl. No. 29/511,742, “Sling Adapter” filed Dec. 12, 2014.

Wilson\_Combat\_Slingmounts\_Online\_2010 Wilson Combat Picatinny Rail Sling Mounts, Online Catalog (2010), [http://www.wilsoncombat.com/r\\_pr\\_slingmounts.asp](http://www.wilsoncombat.com/r_pr_slingmounts.asp).

\* cited by examiner

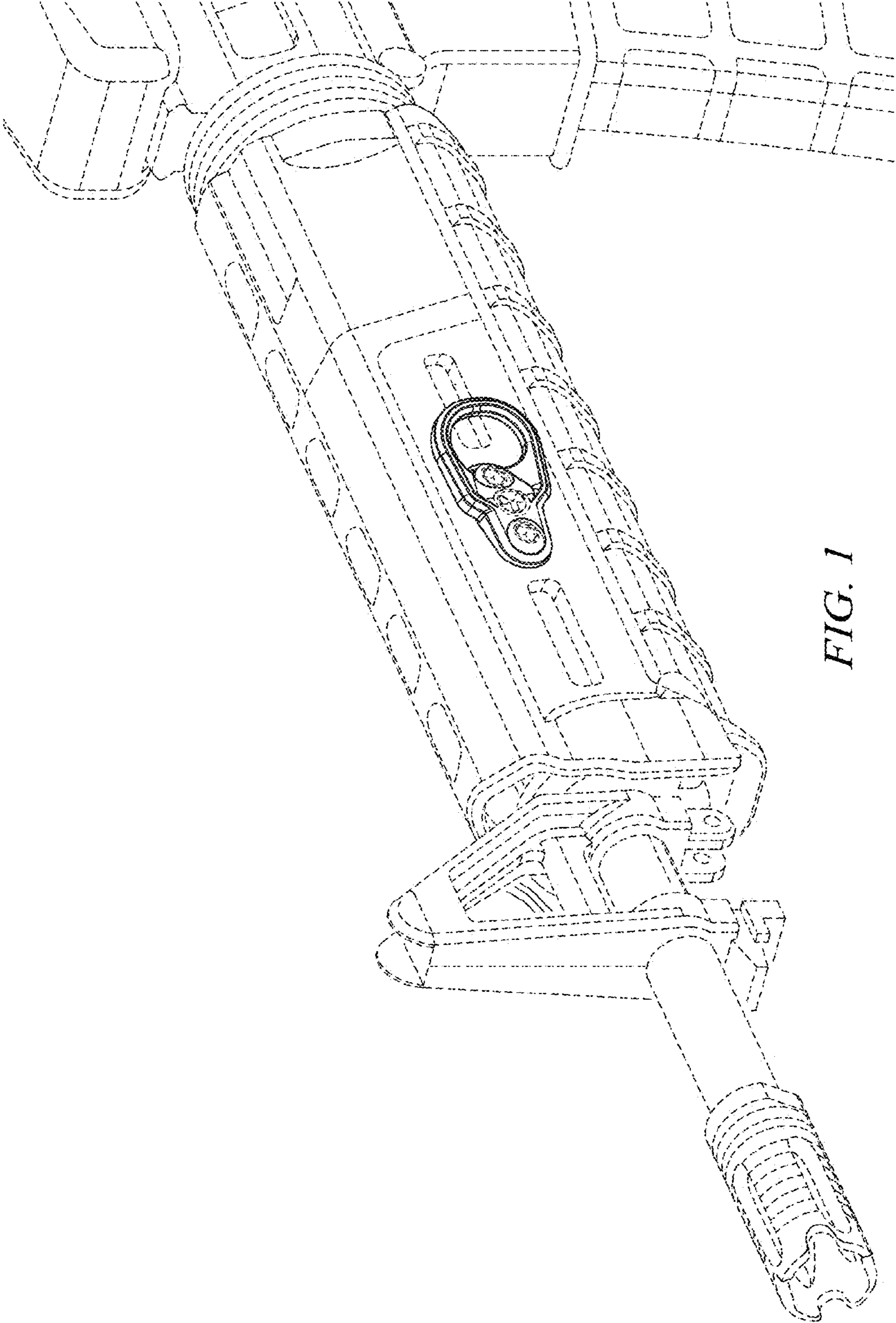


FIG. 1

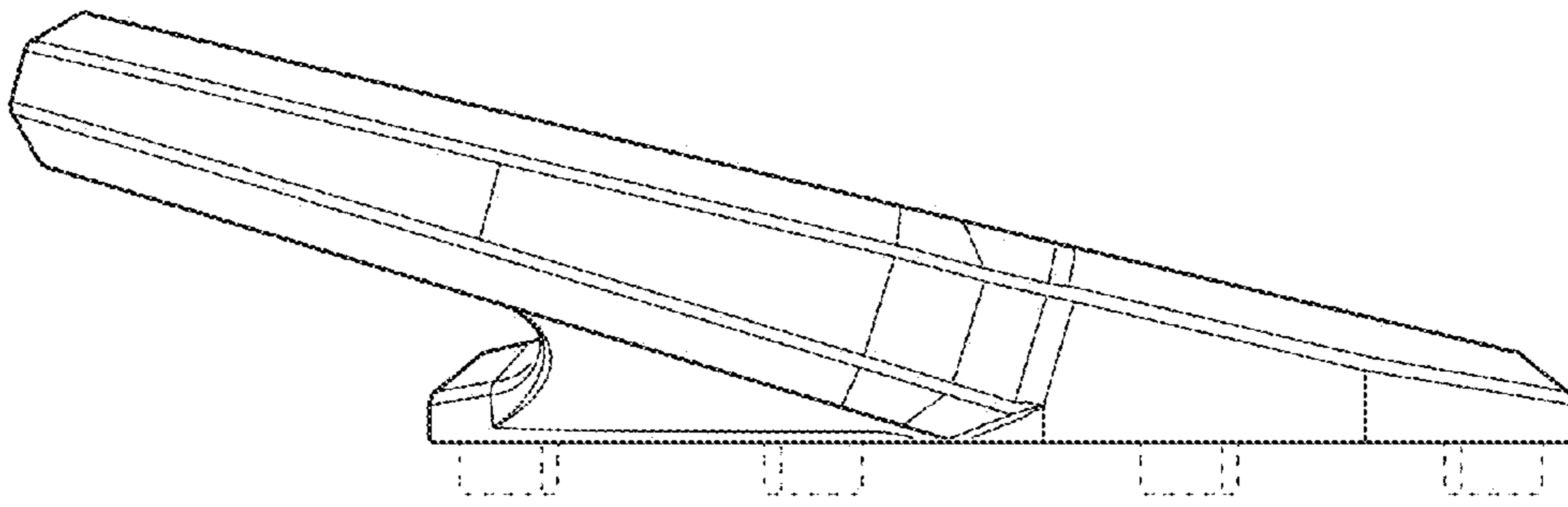


FIG. 3

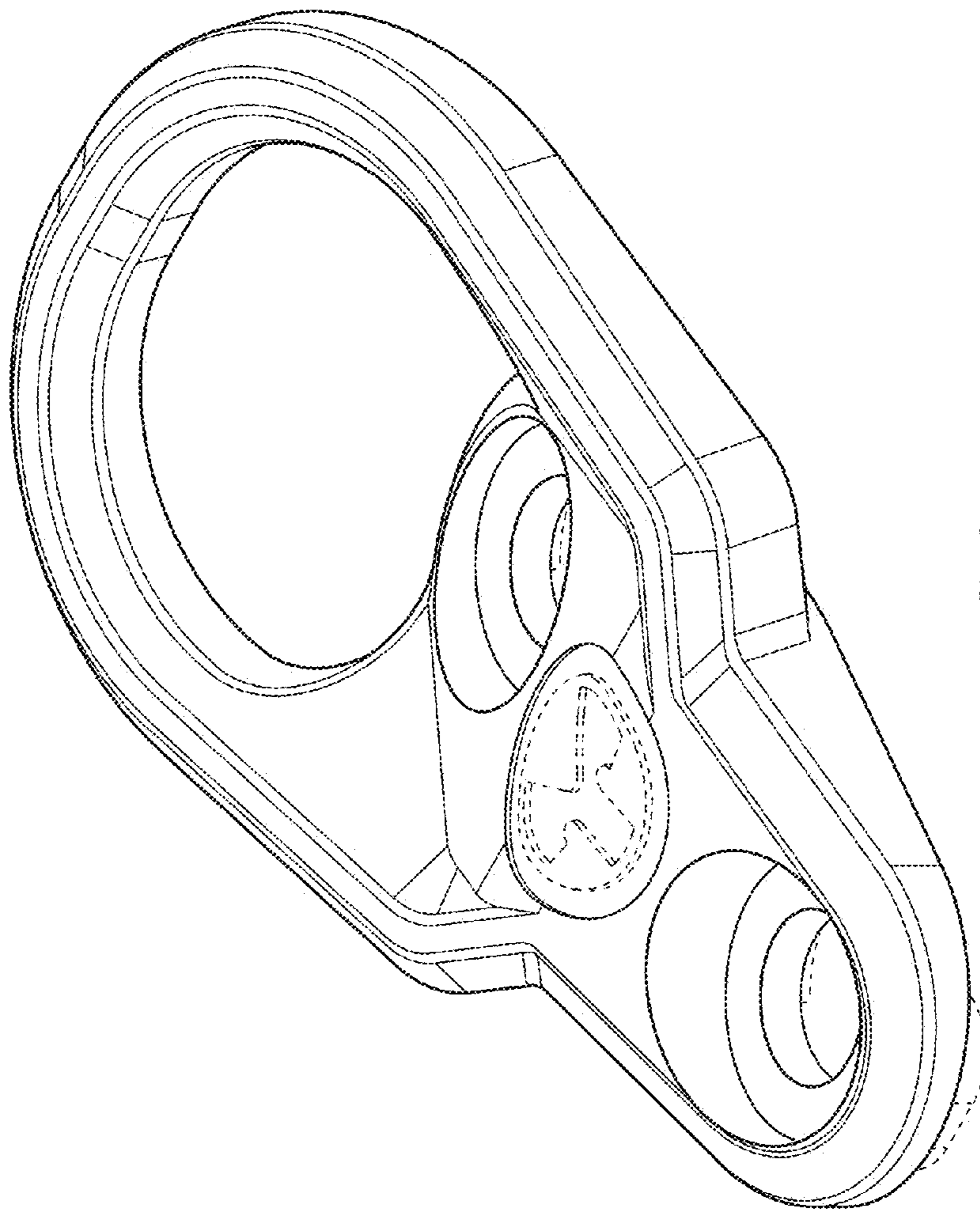
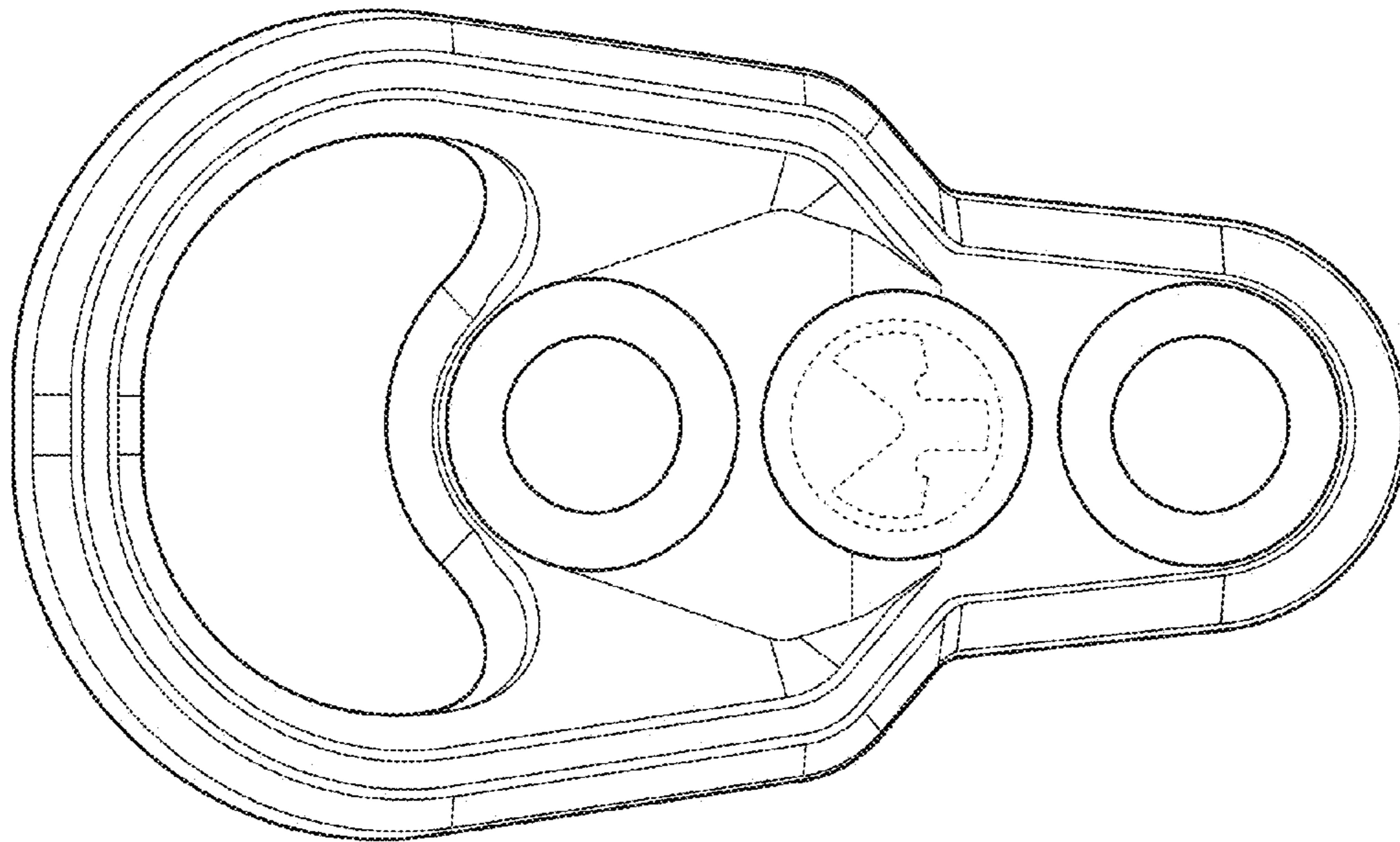
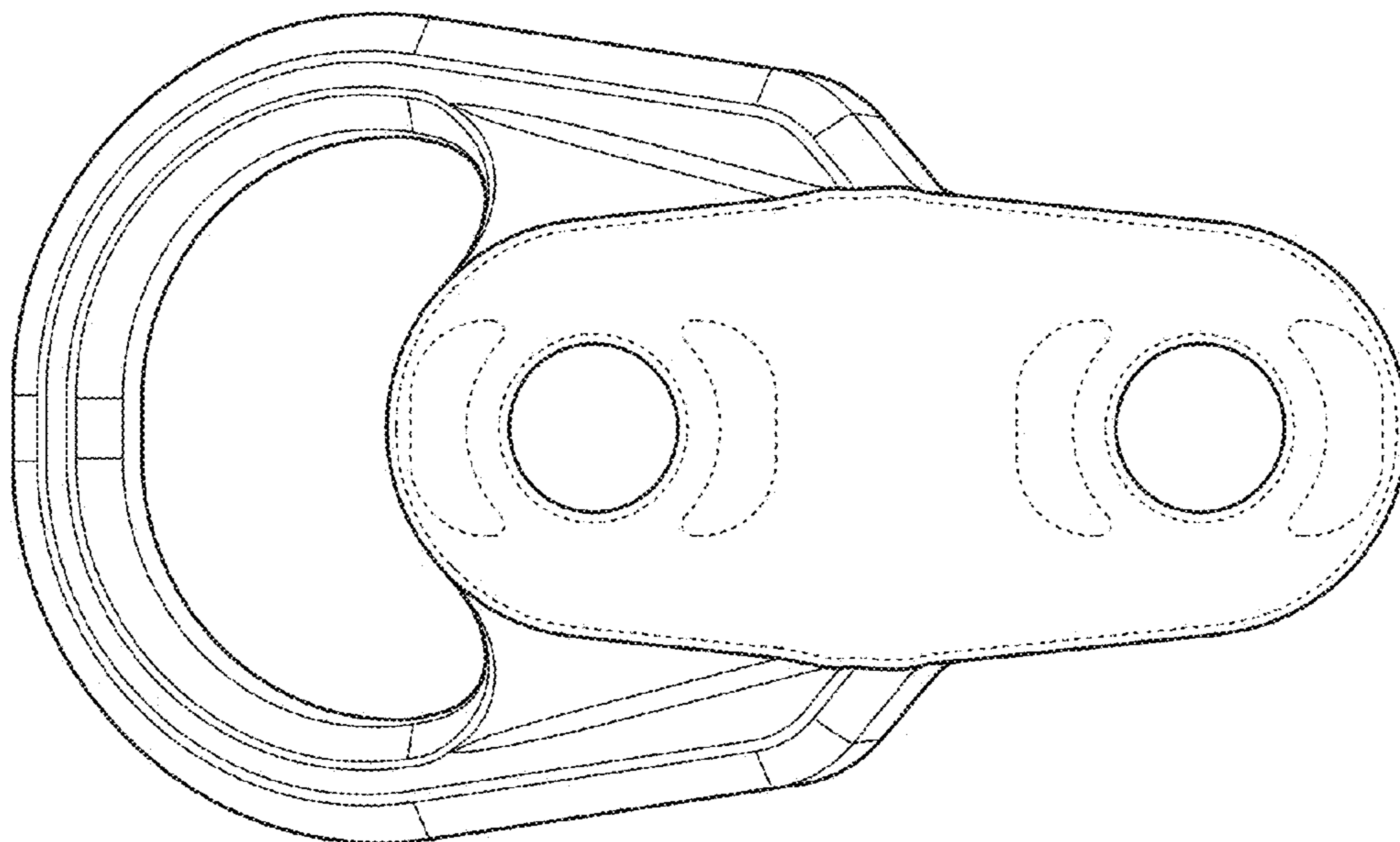


FIG. 2



*FIG. 4*



*FIG. 5*

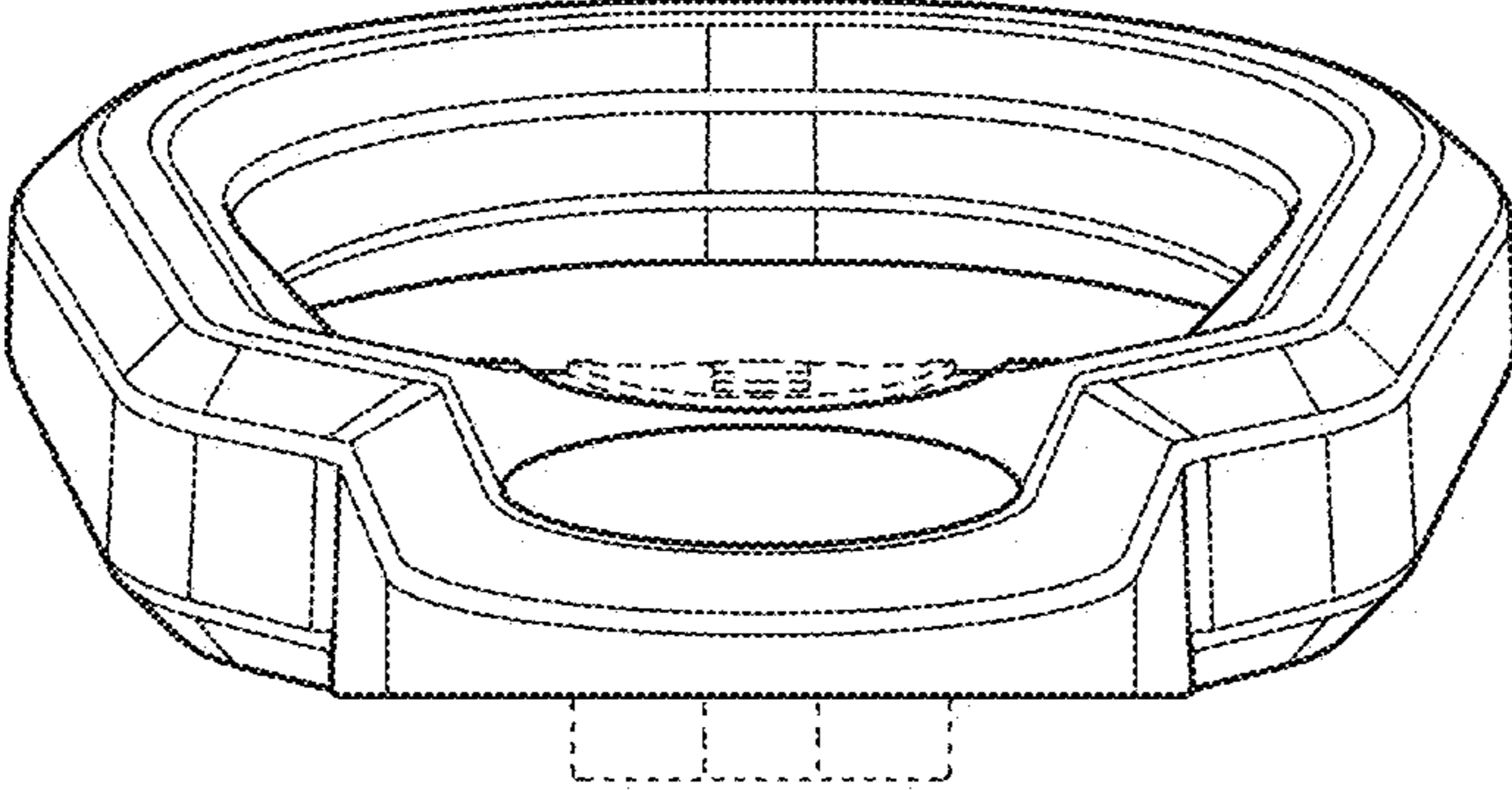


FIG. 6

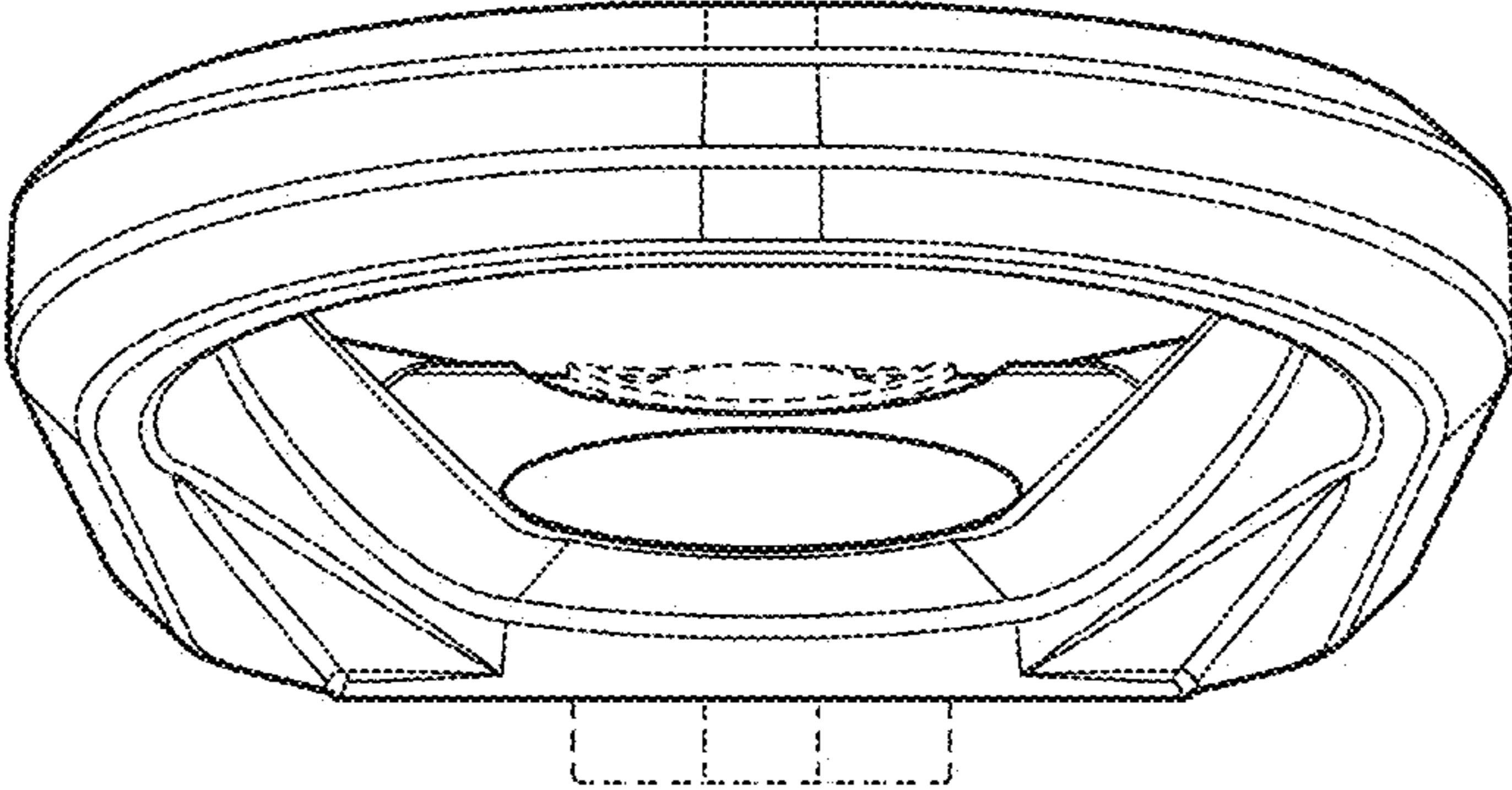


FIG. 7