



US00D748751S

(12) **United States Design Patent**
Stallings

(10) **Patent No.:** **US D748,751 S**

(45) **Date of Patent:** **** Feb. 2, 2016**

- (54) **GOLF TEE DISPENSER**
- (71) Applicant: **Joseph Morgan Stallings**, Knoxville, TN (US)
- (72) Inventor: **Joseph Morgan Stallings**, Knoxville, TN (US)
- (**) Term: **14 Years**
- (21) Appl. No.: **29/486,355**
- (22) Filed: **Mar. 28, 2014**
- (51) **LOC (10) Cl.** **21-02**
- (52) **U.S. Cl.**
USPC **D21/796; D3/221**
- (58) **Field of Classification Search**
USPC **D21/789, 796; D3/221**
CPC . **B65D 83/00; A63B 57/0018; A63B 57/0031**
See application file for complete search history.

6,205,588	B1	3/2001	Shin
8,267,265	B2	9/2012	Giraud
8,292,101	B1	10/2012	Bragg
8,322,567	B2	12/2012	Giraud
D674,250	S	1/2013	Russell
D685,049	S	6/2013	Hughes
8,573,457	B1	11/2013	Morgan
2001/0050240	A1	12/2001	Reid
2002/0166835	A1	11/2002	Carter
2003/0014806	A1	1/2003	Canion
2005/0211656	A1	9/2005	Muir
2008/0276348	A1	11/2008	England
2009/0101164	A1	4/2009	Berg
2009/0179056	A1	7/2009	Walton
2011/0127269	A1	6/2011	Bucholtz
2012/0266353	A1	10/2012	Ferre

(56) **References Cited**

U.S. PATENT DOCUMENTS

2,901,146	A *	8/1959	Powell, Jr. et al.	221/190
3,173,451	A	3/1965	DeVincenzi	
3,800,981	A *	4/1974	Zeller	221/198
4,573,610	A *	3/1986	Hurner	221/281
4,858,784	A *	8/1989	Moody	221/155
4,889,260	A *	12/1989	Zeller	221/197
D335,721	S	5/1993	Kimball	
5,415,276	A	5/1995	Welton	
5,439,135	A *	8/1995	Schrader et al.	221/251
5,664,674	A	9/1997	Lynch	
D389,547	S *	1/1998	Smallwood et al.	D3/221
5,749,465	A	5/1998	Hashimoto	
5,765,734	A	6/1998	Silverberg	
5,775,538	A *	7/1998	Covington et al.	221/307
5,934,530	A	8/1999	Antczak	
5,950,641	A	9/1999	Taveras	
D436,641	S	1/2001	Todd	

FOREIGN PATENT DOCUMENTS

AU	706 973	B2	7/1999
CA	2 350 196	A1	12/2002

(Continued)

Primary Examiner — Mitchell Siegel

(74) *Attorney, Agent, or Firm* — Pitts & Lake, P.C.

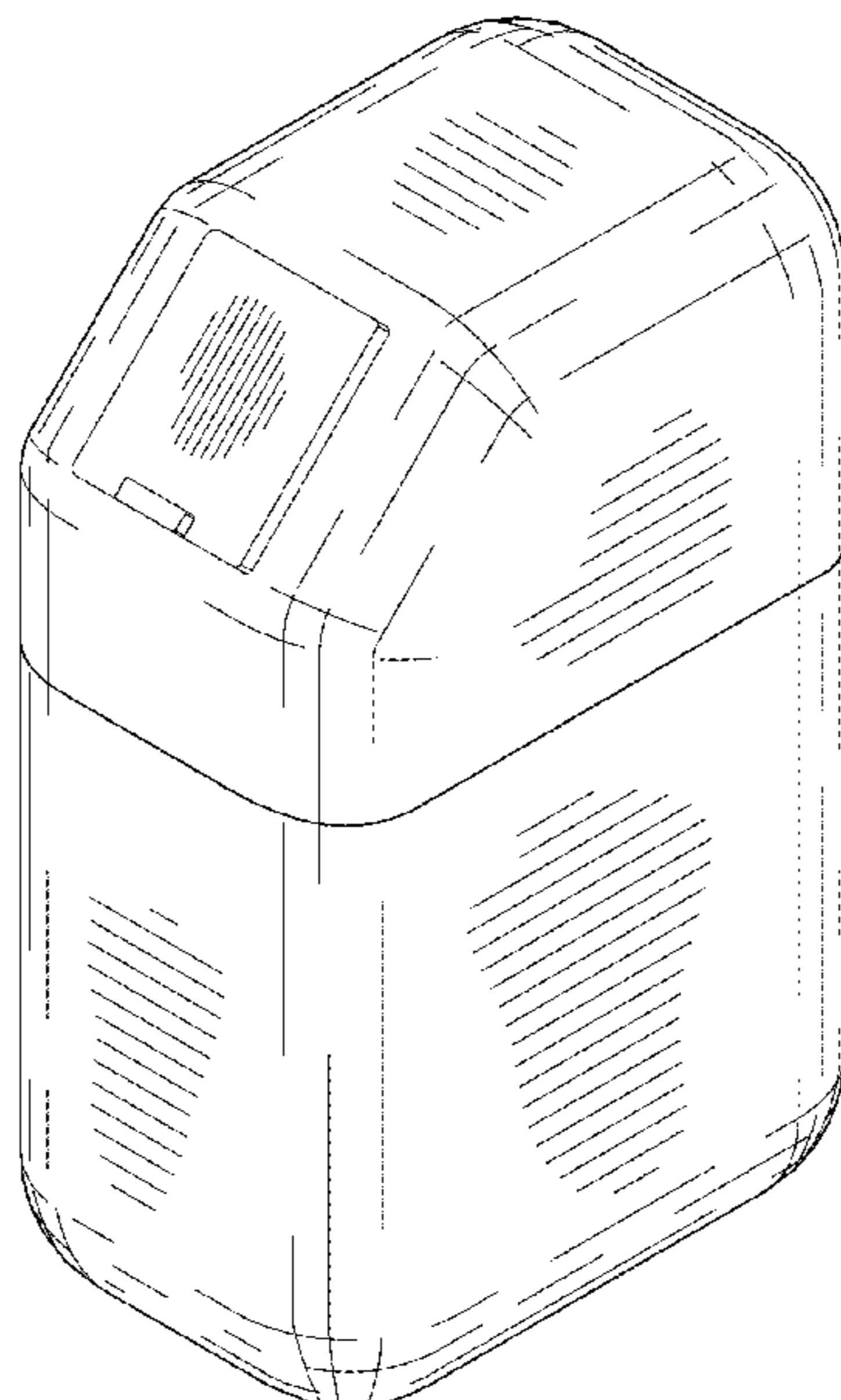
(57) **CLAIM**

I claim the ornamental design for a golf tee dispenser, as shown and described.

DESCRIPTION

FIG. 1 is a perspective view of the design of the present invention for a golf tee dispenser;
 FIG. 2 is a front elevation view of the invention of FIG. 1, the rear being a mirror image thereof;
 FIG. 3 is a left side elevation view of the invention of FIG. 1;
 FIG. 4 is a right side elevation view of the invention of FIG. 1;
 FIG. 5 is a top end view of the invention of FIG. 1; and,
 FIG. 6 is a bottom end view of the invention of FIG. 1.

1 Claim, 4 Drawing Sheets



(56)

References Cited

FOREIGN PATENT DOCUMENTS

CA

2 537 699 C 8/2011

GB 2 411 893 A 9/2006
GB 2 423 757 A 9/2006
WO WO 0 2002 043 820 A1 6/2002

* cited by examiner

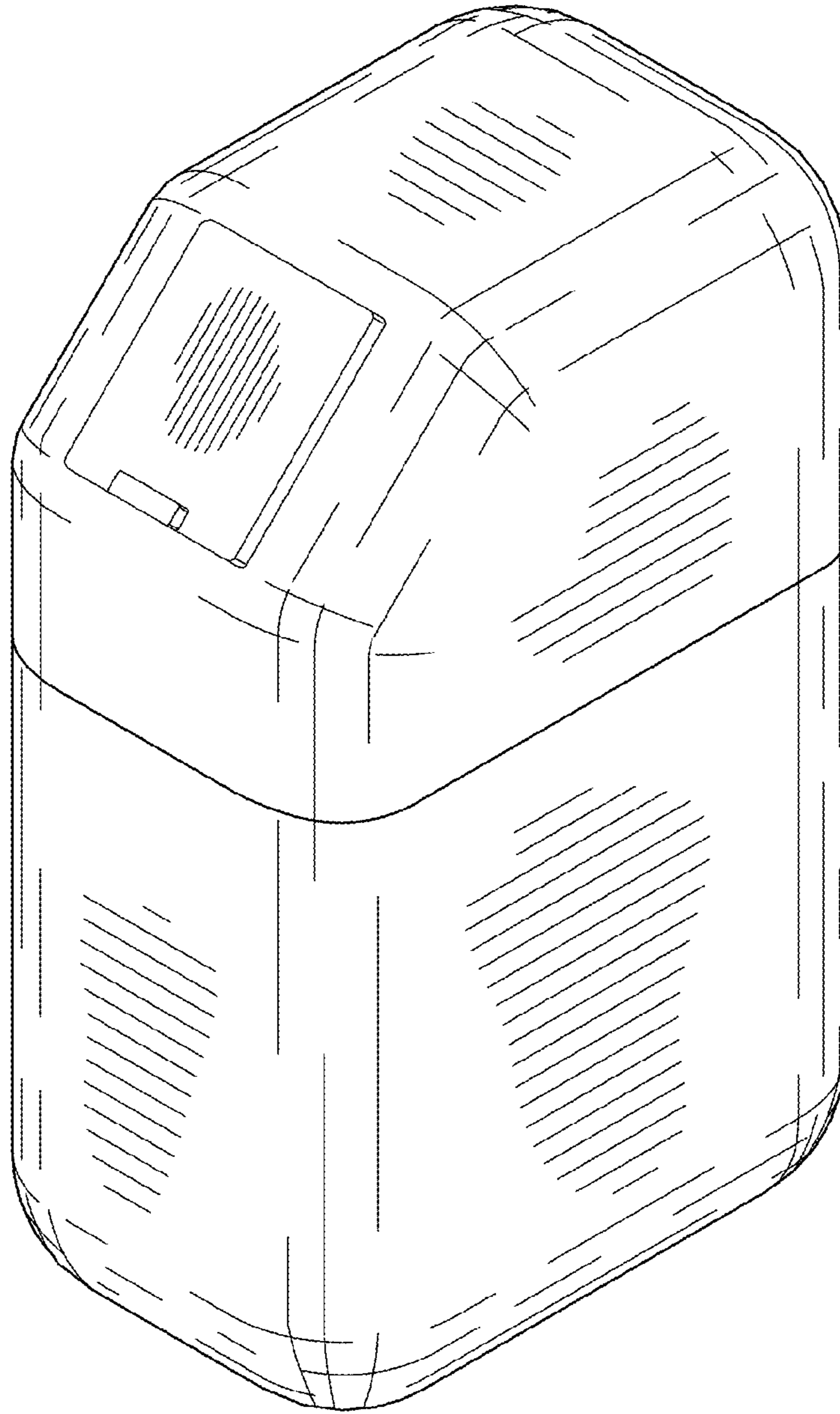


Fig. 1

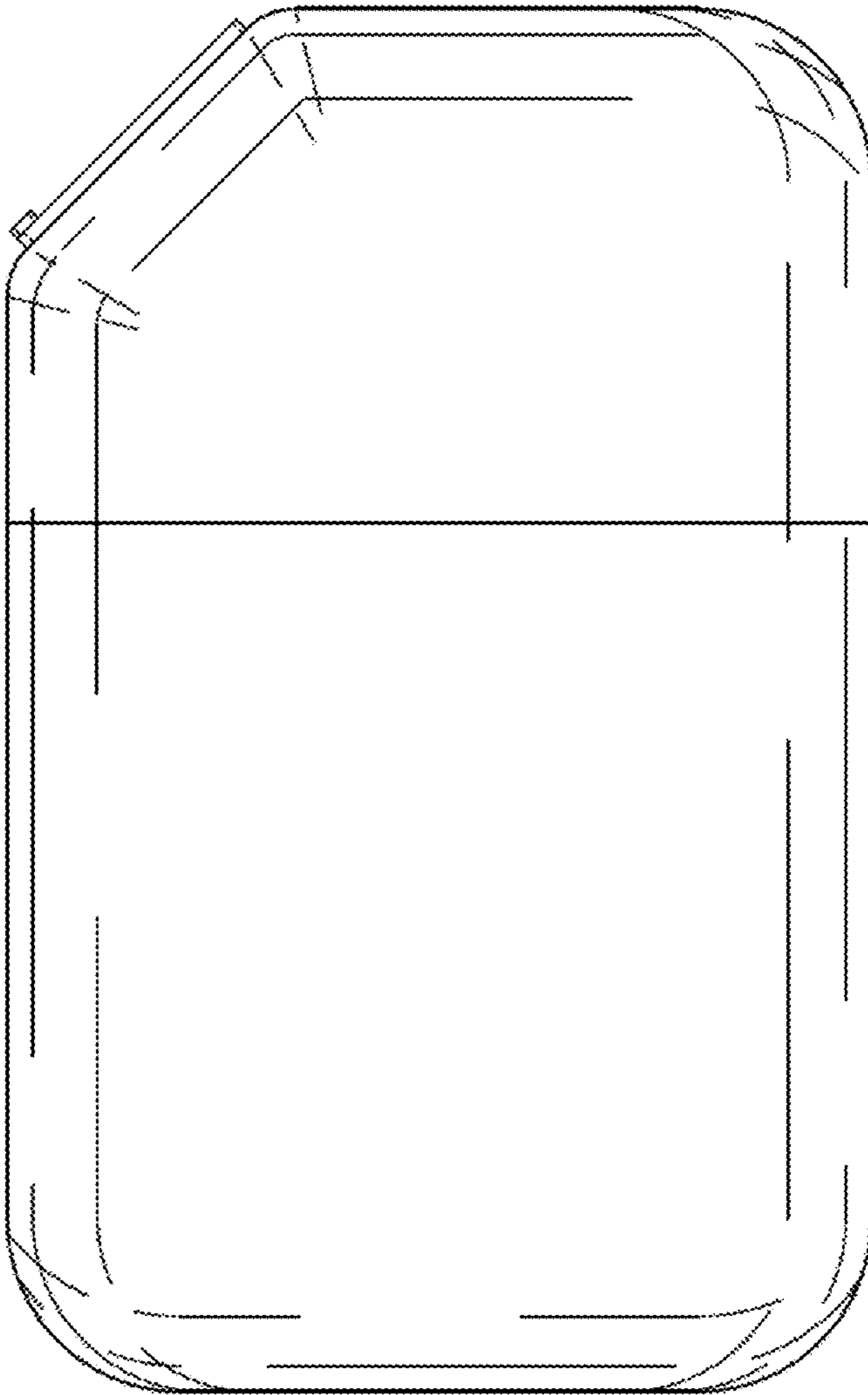


Fig. 2

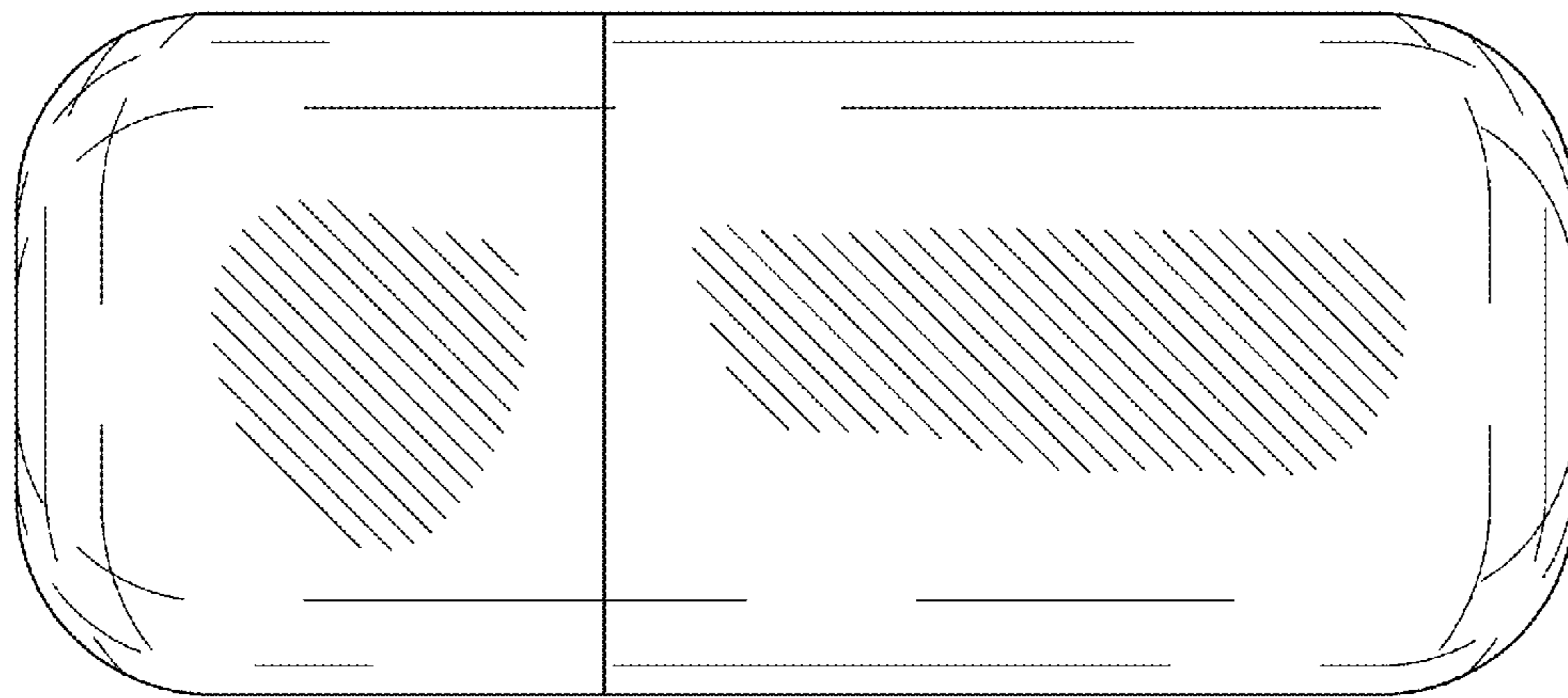


Fig. 4

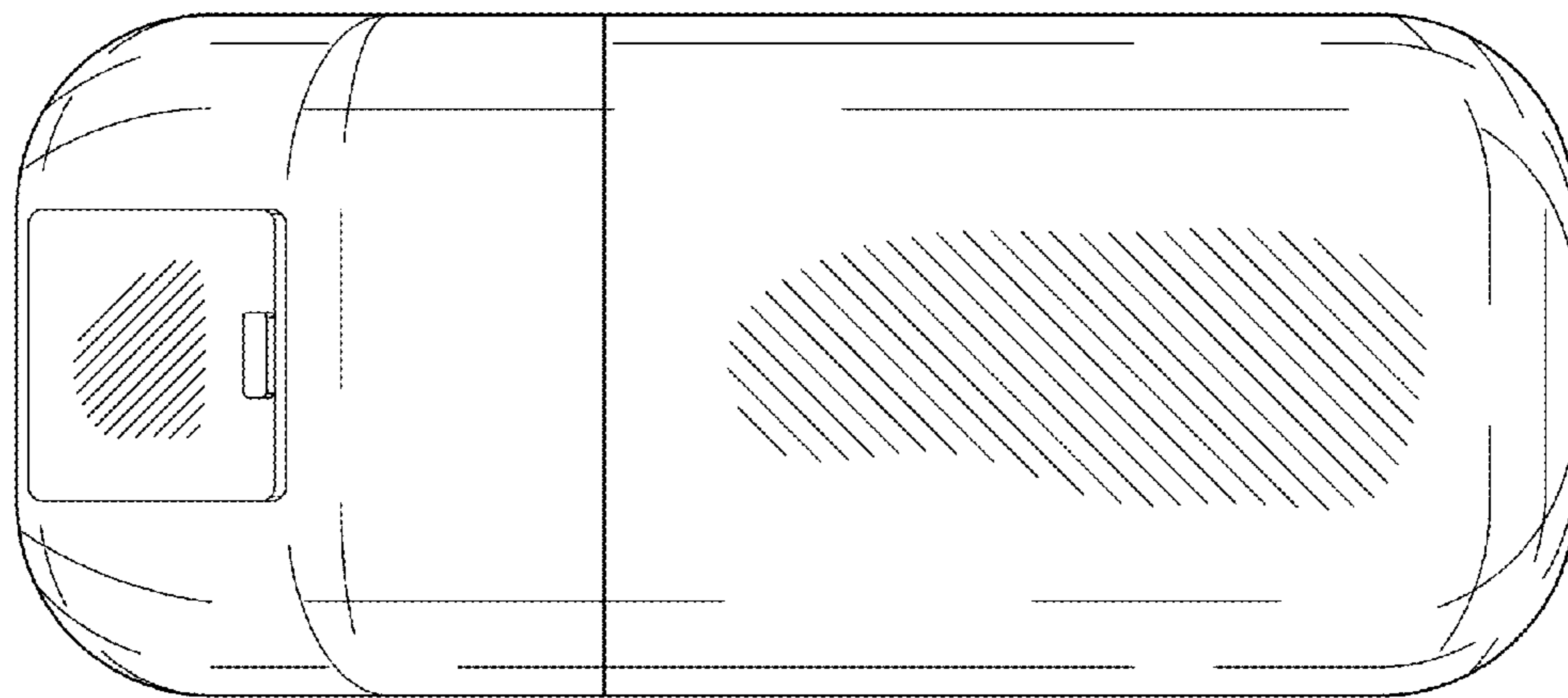


Fig. 3

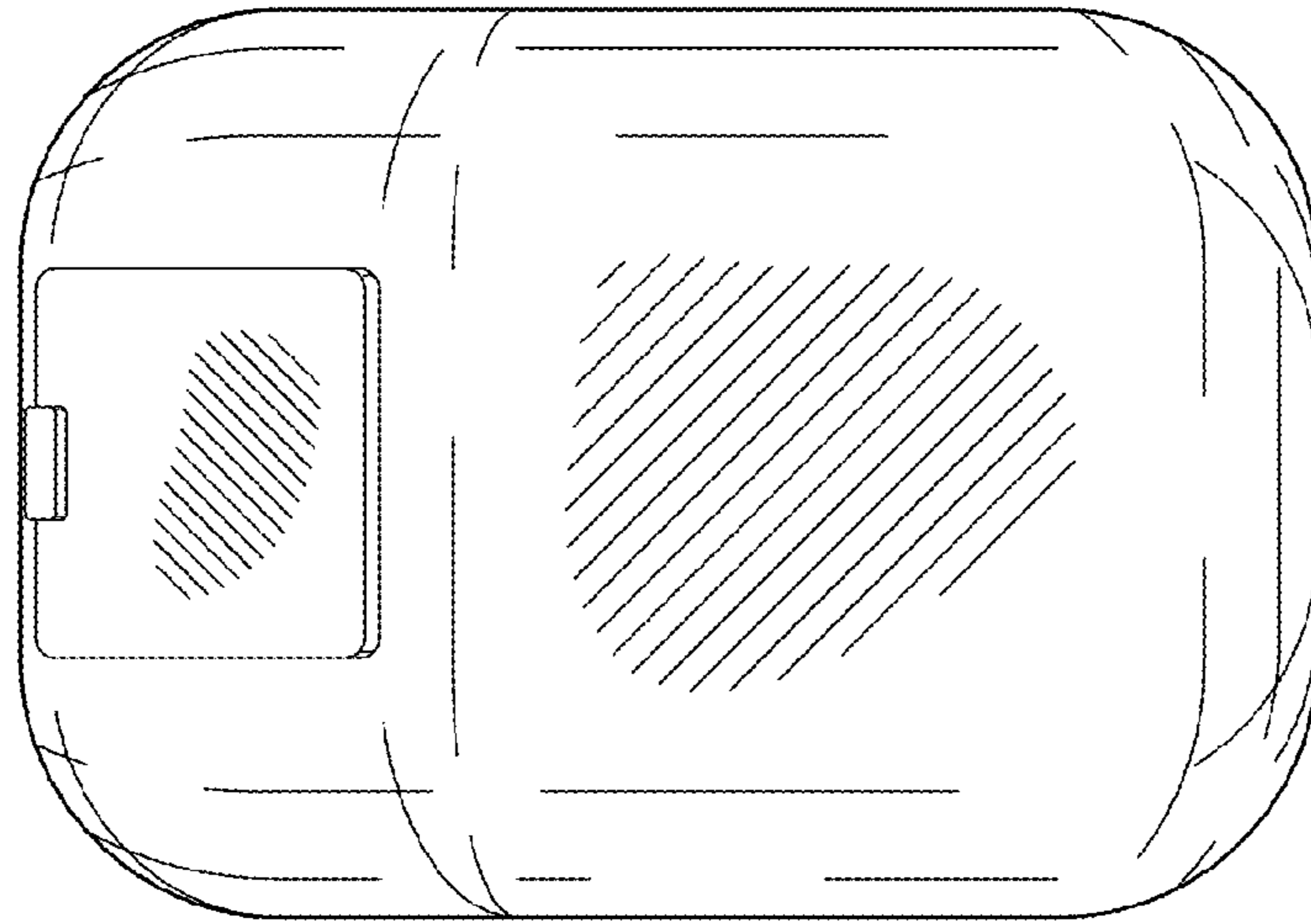


Fig. 5

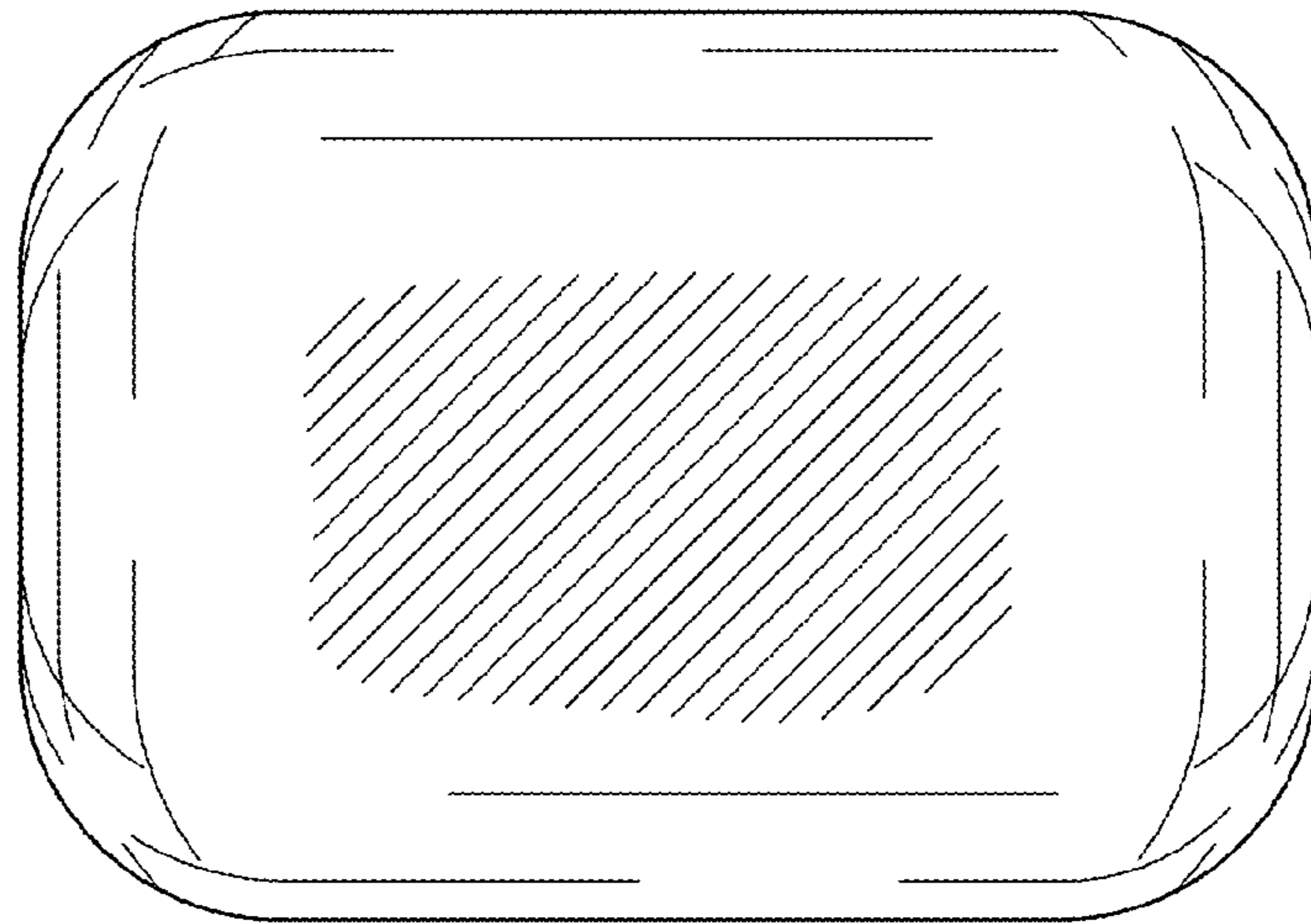


Fig. 6