



US00D748747S

(12) **United States Design Patent**
Holland

(10) **Patent No.:** **US D748,747 S**

(45) **Date of Patent:** **** Feb. 2, 2016**

(54) **HOLLOW SPORTS BALL**

(71) Applicant: **Pro Performance Sports, L.L.C.**,
Carlsbad, CA (US)

(72) Inventor: **Allen Keith Holland**, Carlsbad, CA
(US)

(73) Assignee: **Pro Performance Sports, L.L.C.**,
Carlsbad, CA (US)

(**) Term: **15 Years**

(21) Appl. No.: **29/539,550**

(22) Filed: **Sep. 15, 2015**

Related U.S. Application Data

(62) Division of application No. 29/499,599, filed on Aug.
15, 2014, now Pat. No. Des. 741,422.

(51) **LOC (10) Cl.** **21-02**

(52) **U.S. Cl.**
USPC **D21/713**

(58) **Field of Classification Search**
USPC D21/398, 466, 707-714, 719, 780, 791;
D30/160

CPC A63B 37/00; A63B 37/0001; A63B
37/0006; A63B 37/0098; A63B 37/12; A63B
37/14; A63B 39/00; A63B 39/06; A63B
39/08; A63B 69/0002; A63B 69/0017; A63B
69/0073; A63B 69/0084; A63B 69/0086;
A63B 69/3655; A63B 69/3688; A63B
2069/0004; A63B 2069/0006; A63B
2069/0008; A63B 2069/0011; A63B 43/00;
A63B 43/002; A63B 43/06; A63B 43/007;
A63B 43/008; A63B 43/02; A63B 43/04;
A63B 2043/001; A63B 67/002; A63B 67/08;
A63B 67/10; A63B 67/16; A63B 67/18;
Y10S 273/20; Y10S 273/24; A01K 5/0114;
A01K 15/025

See application file for complete search history.

(56) **References Cited**

U.S. PATENT DOCUMENTS

676,506 A * 6/1901 Knight et al. A63B 43/008
40/327
2,211,330 A * 8/1940 Hochberg A63F 7/0005
273/118 D
D264,741 S * 6/1982 Patton D21/712
D287,988 S * 1/1987 Billingham D21/468
4,930,776 A * 6/1990 Newcomb A63B 43/06
273/DIG. 20
D329,393 S * 9/1992 Hawkins, III D10/106.4
5,590,875 A * 1/1997 Young A63B 43/00
473/451
D381,593 S * 7/1997 Dreyfus D10/116.1
6,033,323 A * 3/2000 McCown A63B 69/0088
273/335
6,098,571 A * 8/2000 Axelrod A01K 5/0114
119/707
D539,367 S * 3/2007 Jones D21/713

(Continued)

OTHER PUBLICATIONS

U.S. Appl. No. 29/499,599, filed Aug. 15, 2014, Holland.

(Continued)

Primary Examiner — Catherine Tuttle

(74) *Attorney, Agent, or Firm* — Squire Boggs (US) LLP

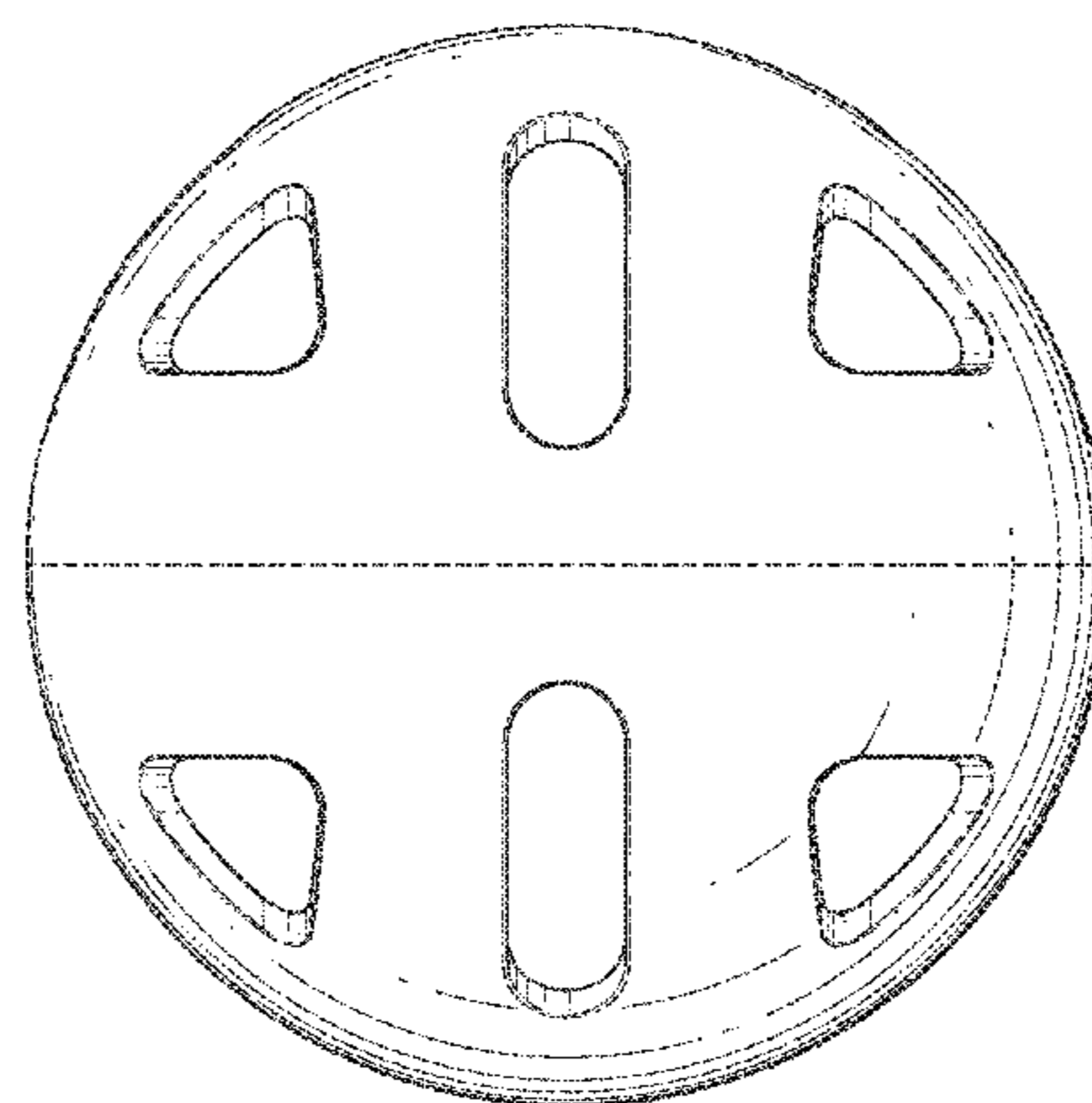
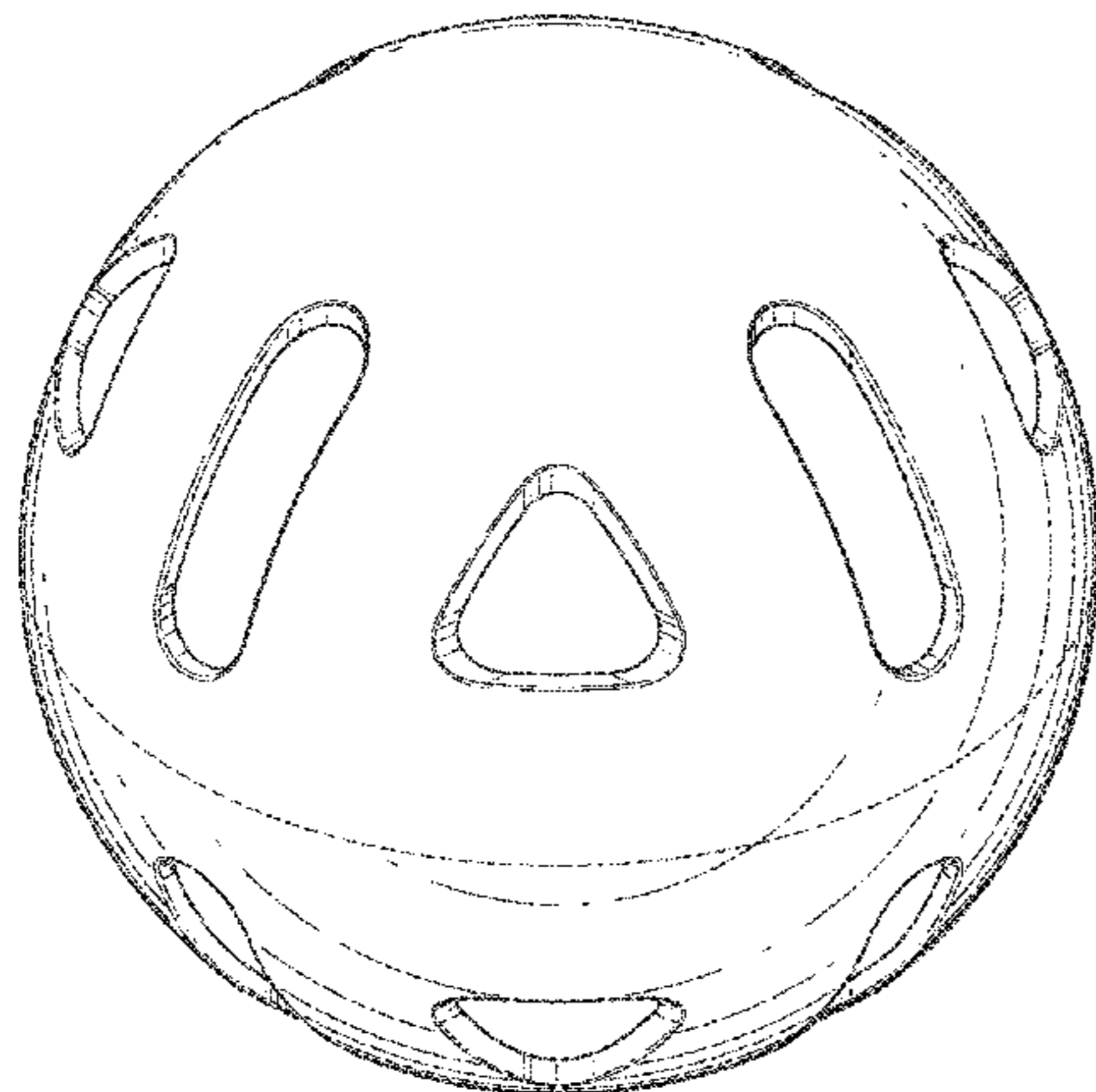
(57) **CLAIM**

The ornamental design for a hollow sports ball, as shown and
described.

DESCRIPTION

FIG. 1 is a top and front perspective view of the hollow sports
ball showing my new design;
FIG. 2 is a top view thereof;
FIG. 3 is a bottom view thereof; and,
FIG. 4 is left side view thereof. The right side view, the front
view and the back view are the same as the left side view.
The broken line shown in FIGS. 1 and 4 is included for the
purpose of illustrating a feature of the hollow sports ball that
forms no part of the claimed design.

1 Claim, 4 Drawing Sheets



(56)

References Cited

OTHER PUBLICATIONS

U.S. PATENT DOCUMENTS

D648,406 S * 11/2011 Hochberg D21/713
8,464,664 B1 * 6/2013 Scheffler A01K 15/025
119/707

U.S. Appl. No. 29/499,600, filed Aug. 15, 2014, Holland.

* cited by examiner

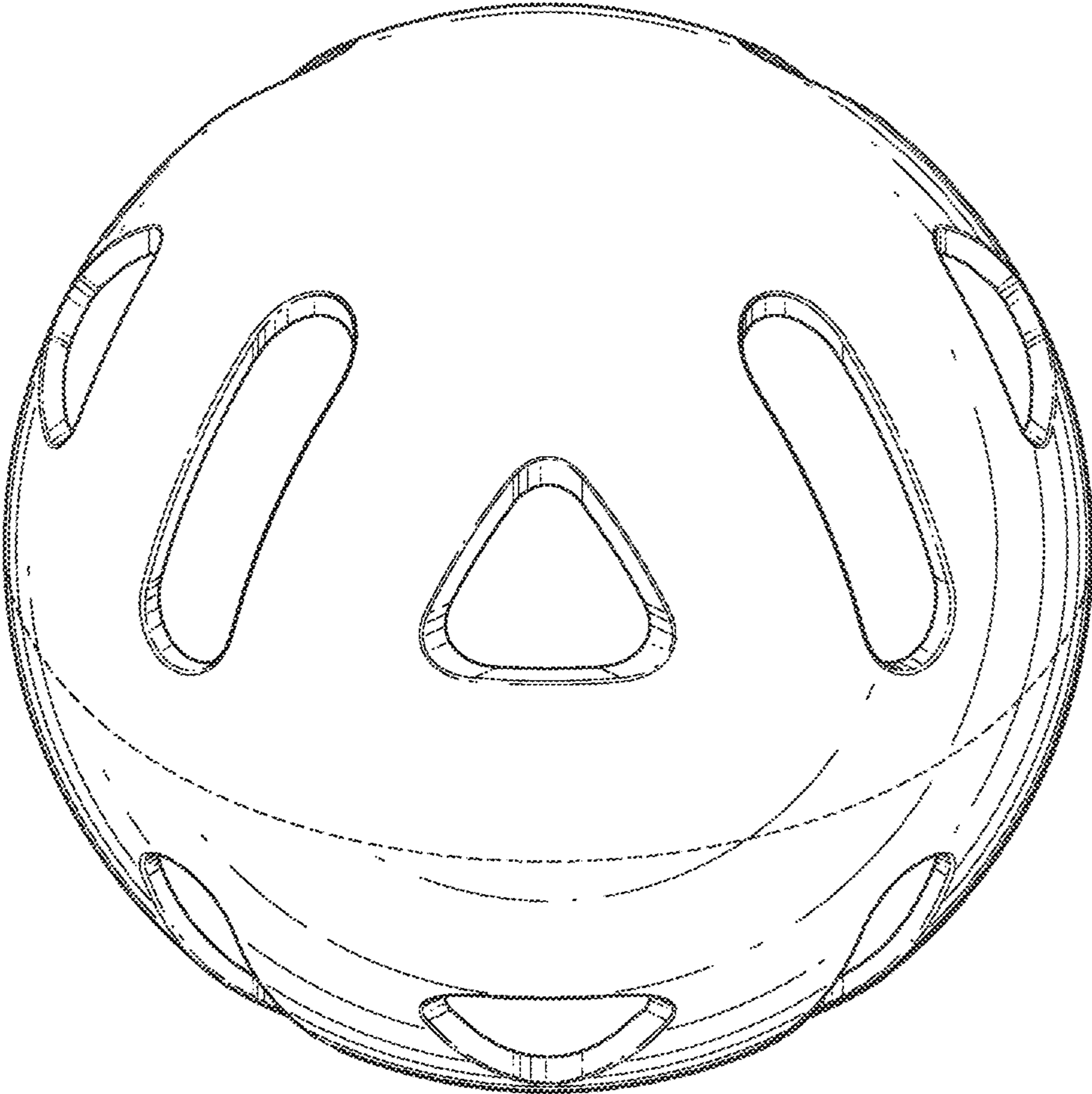


FIG. 1

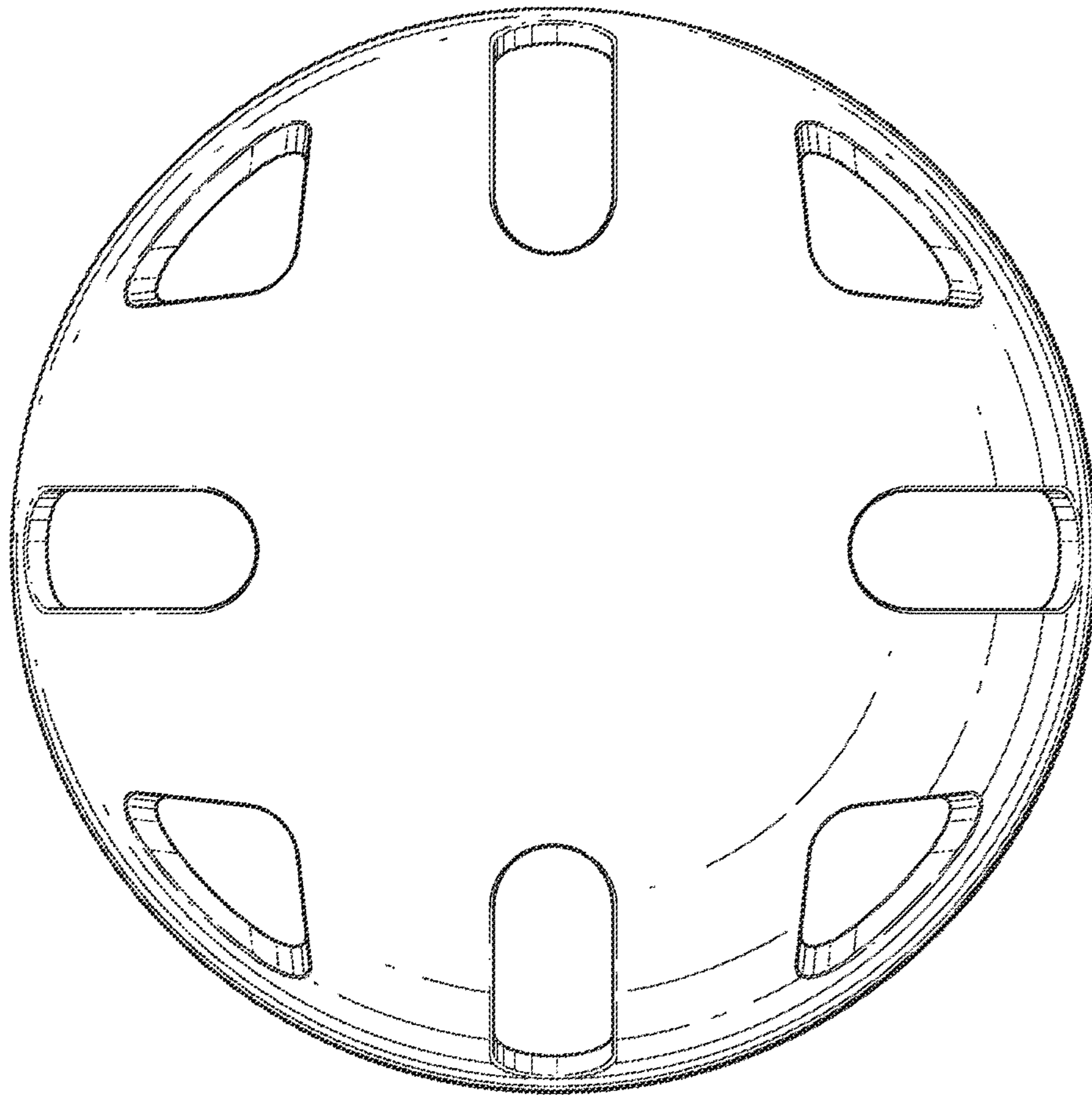


FIG. 2

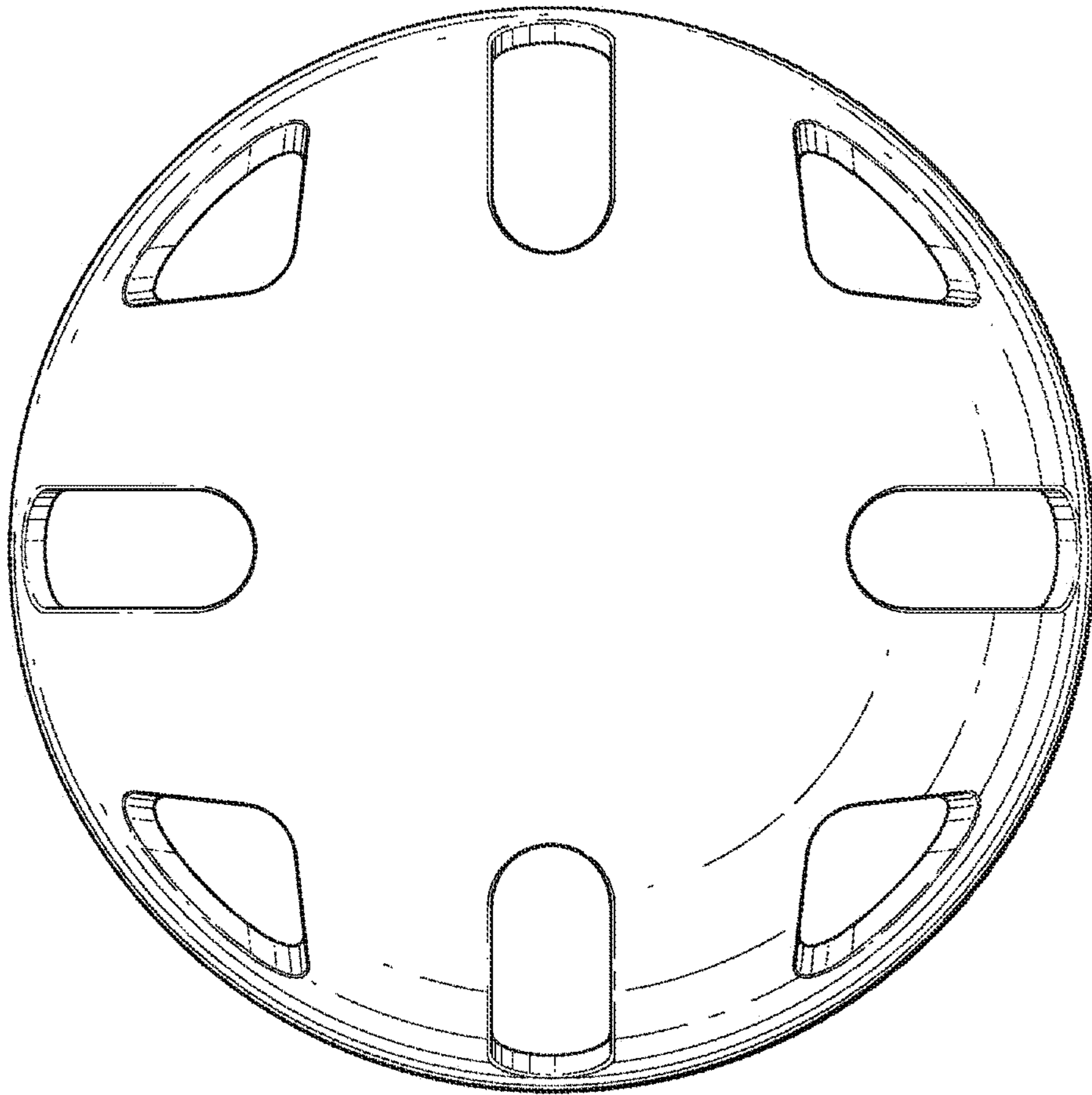


FIG. 3

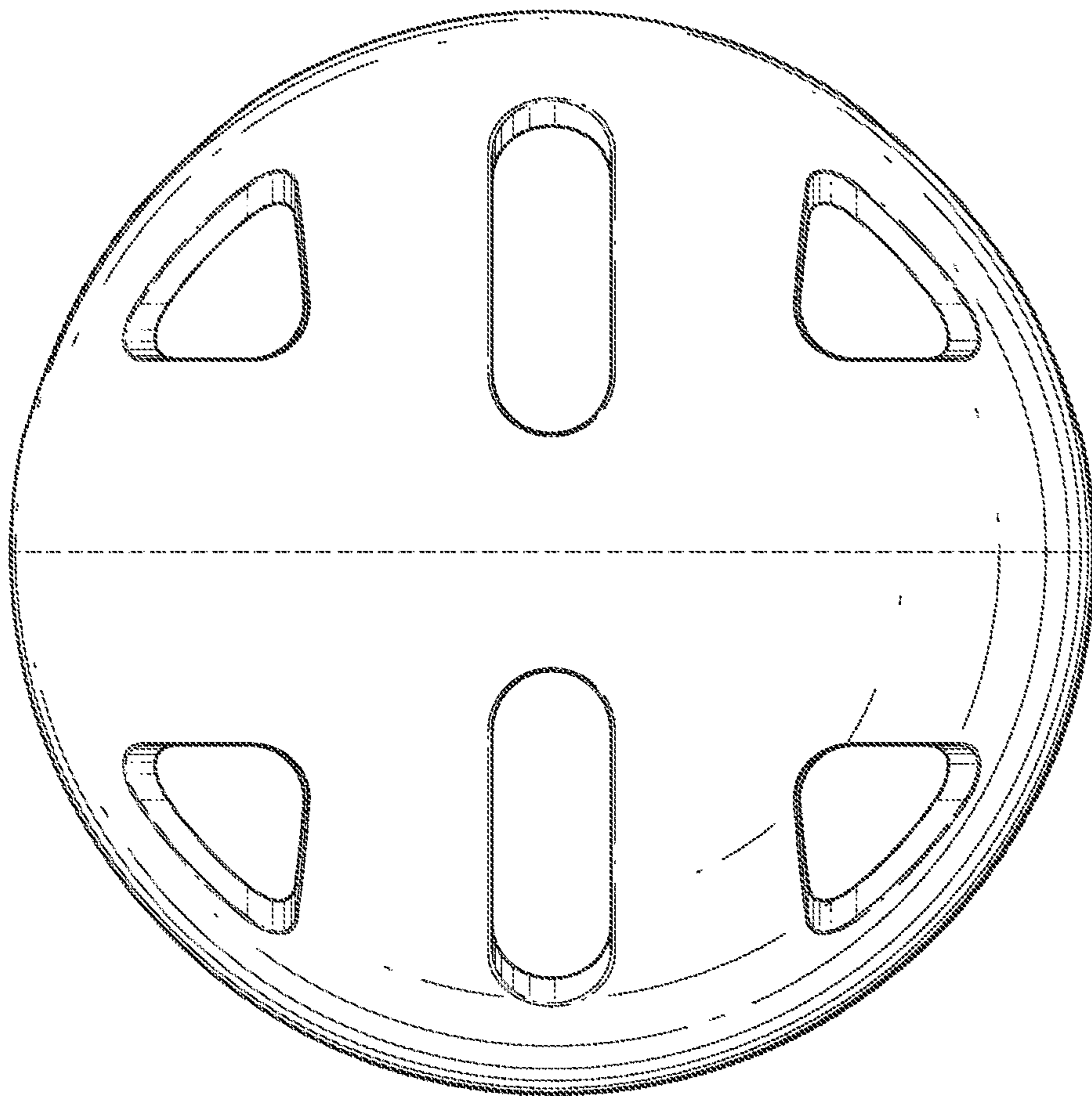


FIG. 4