



US00D748745S

(12) **United States Design Patent**
Hansen

(10) **Patent No.:** **US D748,745 S**

(45) **Date of Patent:** **** *Feb. 2, 2016**

(54) **MULTIBALANCE TRAINER**

(71) Applicant: **BHAS INNOVATION AS**, Oslo (NO)

(72) Inventor: **Bjørn Hansen**, Oslo (NO)

(73) Assignee: **BHAS INNOVATION AS**, Oslo (NO)

(*) Notice: This patent is subject to a terminal disclaimer.

(**) Term: **14 Years**

(21) Appl. No.: **29/501,022**

(22) Filed: **Aug. 29, 2014**

(51) **LOC (10) Cl.** **21-02**

(52) **U.S. Cl.**
USPC **D21/679**

(58) **Field of Classification Search**
USPC D21/679, 662, 753, 694; D8/376;
D10/119.2, 119.3; 482/93, 139, 110,
482/49, 50, 109, 23, 112, 106, 92, 121, 126,
482/122, 128, 148, 129, 79; 602/27
CPC A63B 21/0724; A63B 21/0552; A63B
2210/50; A63B 21/1434; A63B 21/1469;
A63B 21/072; A63B 21/0728; A63B 26/003;
A63B 1/00; Y10S 482/907
See application file for complete search history.

(56) **References Cited**

U.S. PATENT DOCUMENTS

D263,327	S	*	3/1982	Cooper	D21/679
D325,945	S	*	5/1992	Gross	D21/679
D343,875	S	*	2/1994	Webster	D21/679
D365,861	S	*	1/1996	Moss et al.	D21/679
D369,627	S	*	5/1996	Thor	D21/679
D389,038	S	*	1/1998	Rosul	D8/376
5,820,531	A	*	10/1998	Choi	482/93
6,280,364	B1	*	8/2001	Deac et al.	482/106
6,872,174	B2	*	3/2005	Benach	482/121
D516,901	S	*	3/2006	Murray	D8/376
D517,135	S	*	3/2006	Klein	D21/679
D549,085	S	*	8/2007	Mevisen et al.	D8/376

D561,274	S	*	2/2008	Turner	D21/679
D576,234	S	*	9/2008	Rasmussen	D21/694
D631,518	S	*	1/2011	Coote	D21/679
8,025,615	B1	*	9/2011	Sargent	482/139
D650,263	S	*	12/2011	Barrese	D8/376
D654,544	S	*	2/2012	Sliemers	D21/662
D655,356	S	*	3/2012	Sandman	D21/679
8,162,808	B2	*	4/2012	Cook	482/112
D728,039	S	*	4/2015	Groshek et al.	D21/679
2001/0001094	A1	*	5/2001	Panes	482/93
2005/0043150	A1	*	2/2005	Nitta et al.	482/79
2006/0247108	A1	*	11/2006	Rastegar et al.	482/139
2009/0093349	A1	*	4/2009	Cooper	482/106
2012/0214651	A1	*	8/2012	Ross	482/129
2014/0349822	A1	*	11/2014	Patterson	482/139

* cited by examiner

Primary Examiner — Robert M Spear

Assistant Examiner — Ryan Harvey

(74) *Attorney, Agent, or Firm* — Birch, Stewart, Kolasch & Birch, LLP

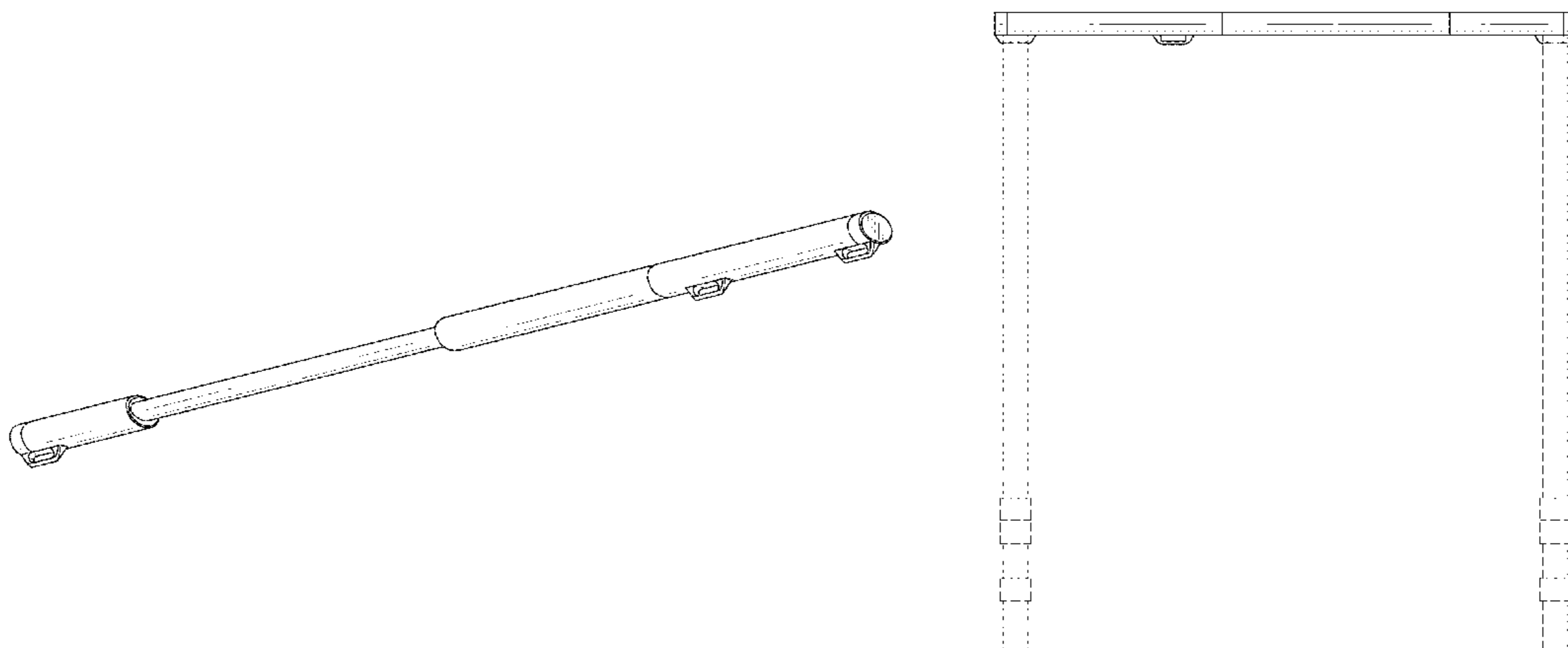
(57) **CLAIM**

The ornamental design for a multibalance trainer, as shown and described.

DESCRIPTION

FIG. 1 is a bottom view of a multibalance trainer showing my new design;
FIG. 2 is a top view thereof;
FIG. 3 is a left side view thereof;
FIG. 4 is a right side view thereof;
FIG. 5 is a rear view thereof;
FIG. 6 is a front view thereof;
FIG. 7 is a bottom, right side perspective view thereof;
FIG. 8 is a bottom, right side perspective view thereof in a contracted state;
FIG. 9 is a left side view thereof in a contracted state, with straps in broken lines; and,
FIG. 10 is a left side view thereof with straps in broken lines. The portions of the drawings illustrated in broken lines represent the environment and form no part of the claimed design.

1 Claim, 6 Drawing Sheets



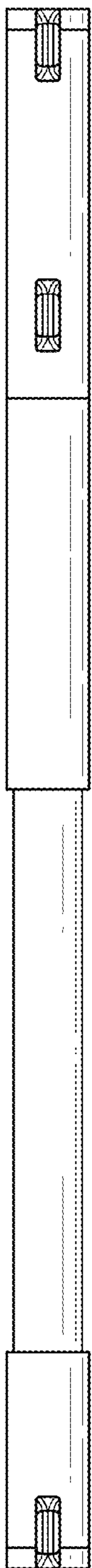


FIG. 1

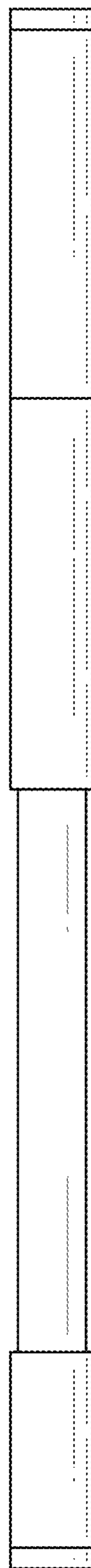


FIG. 2

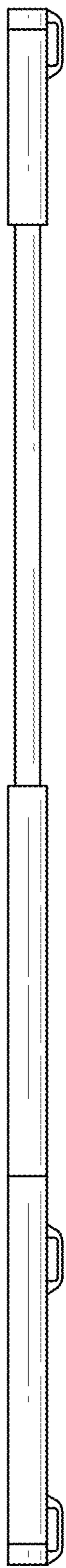


FIG. 3

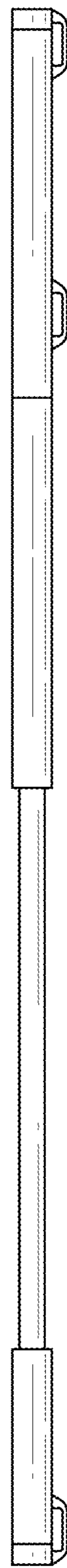


FIG. 4

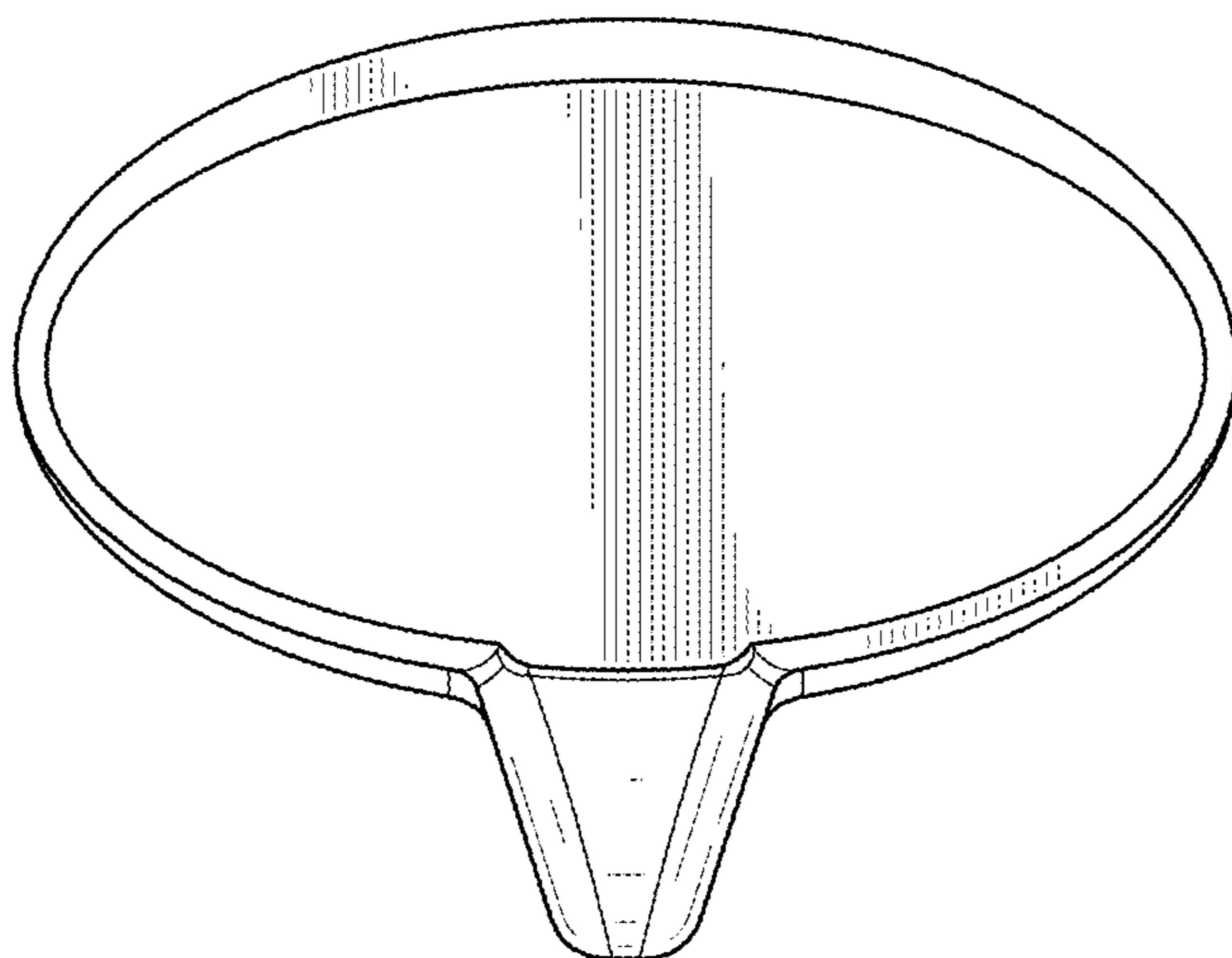


FIG.5

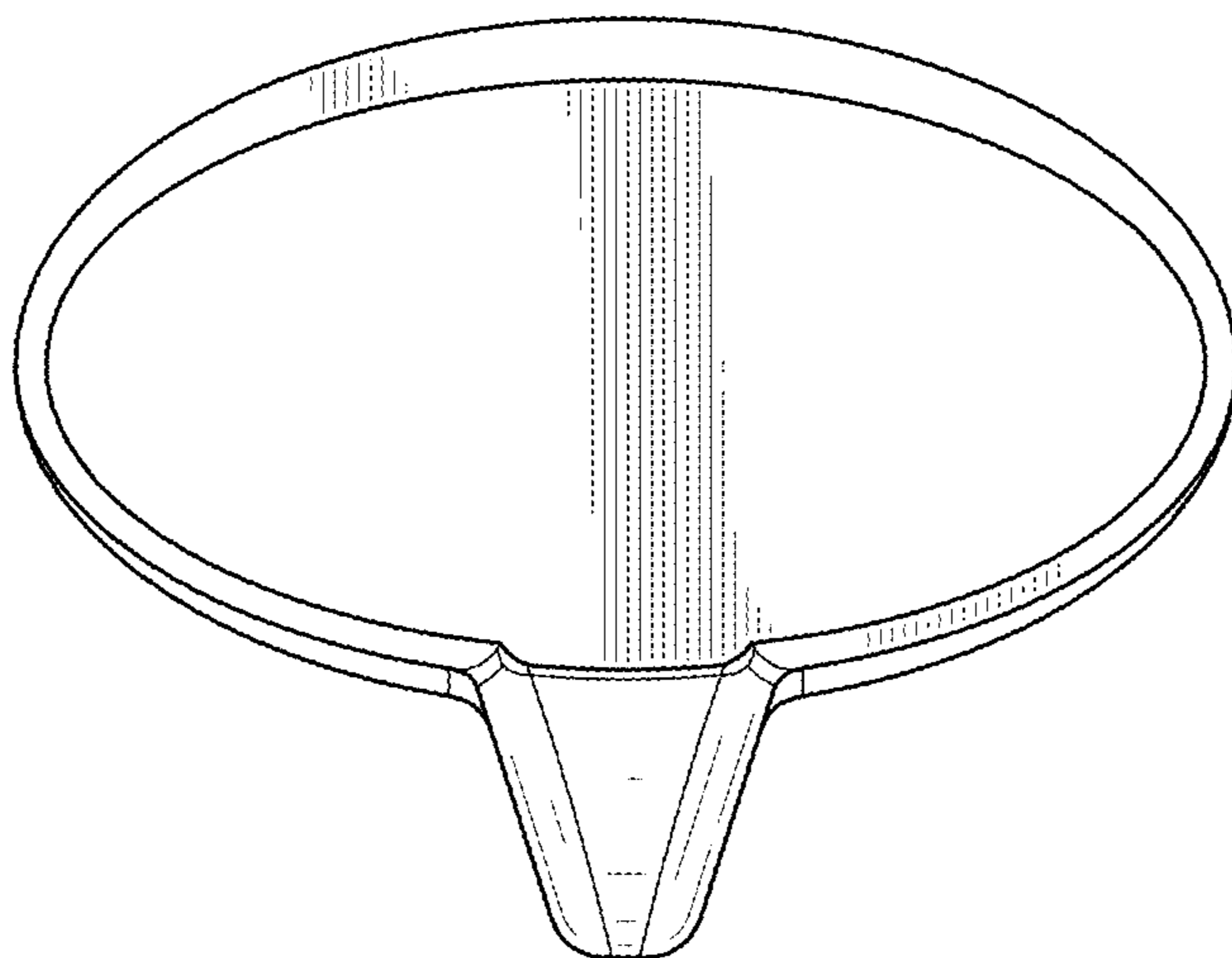


FIG.6

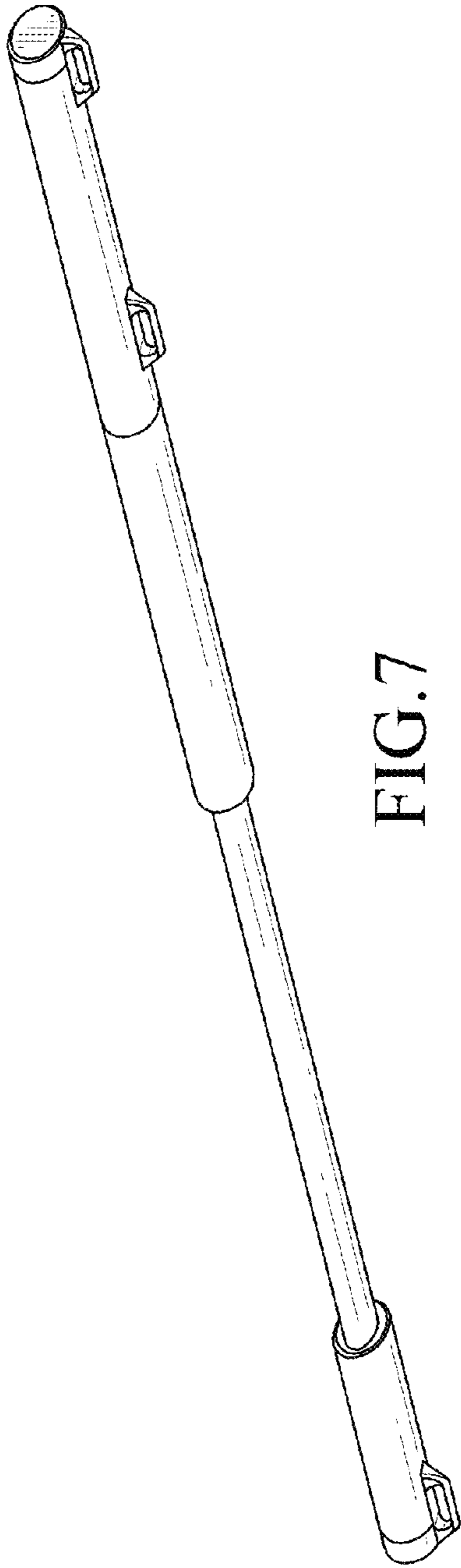


FIG. 7

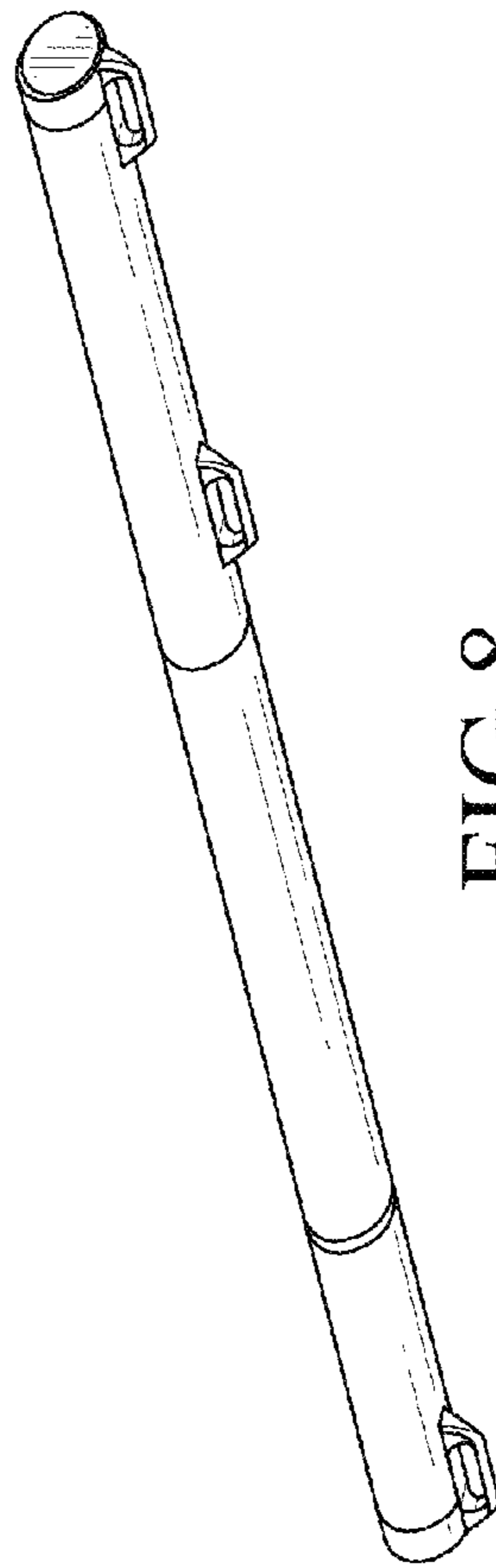


FIG. 8

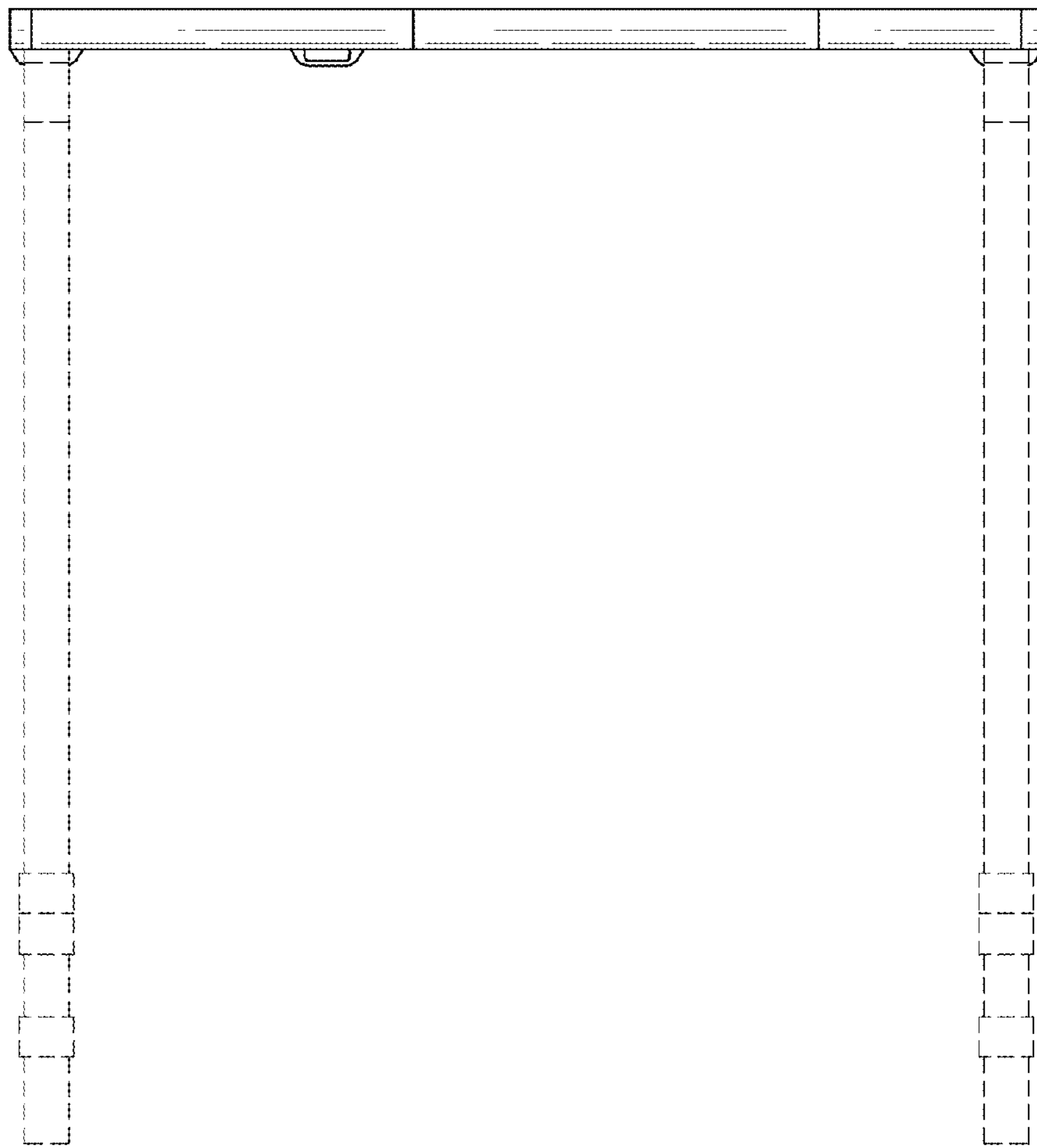


FIG. 9

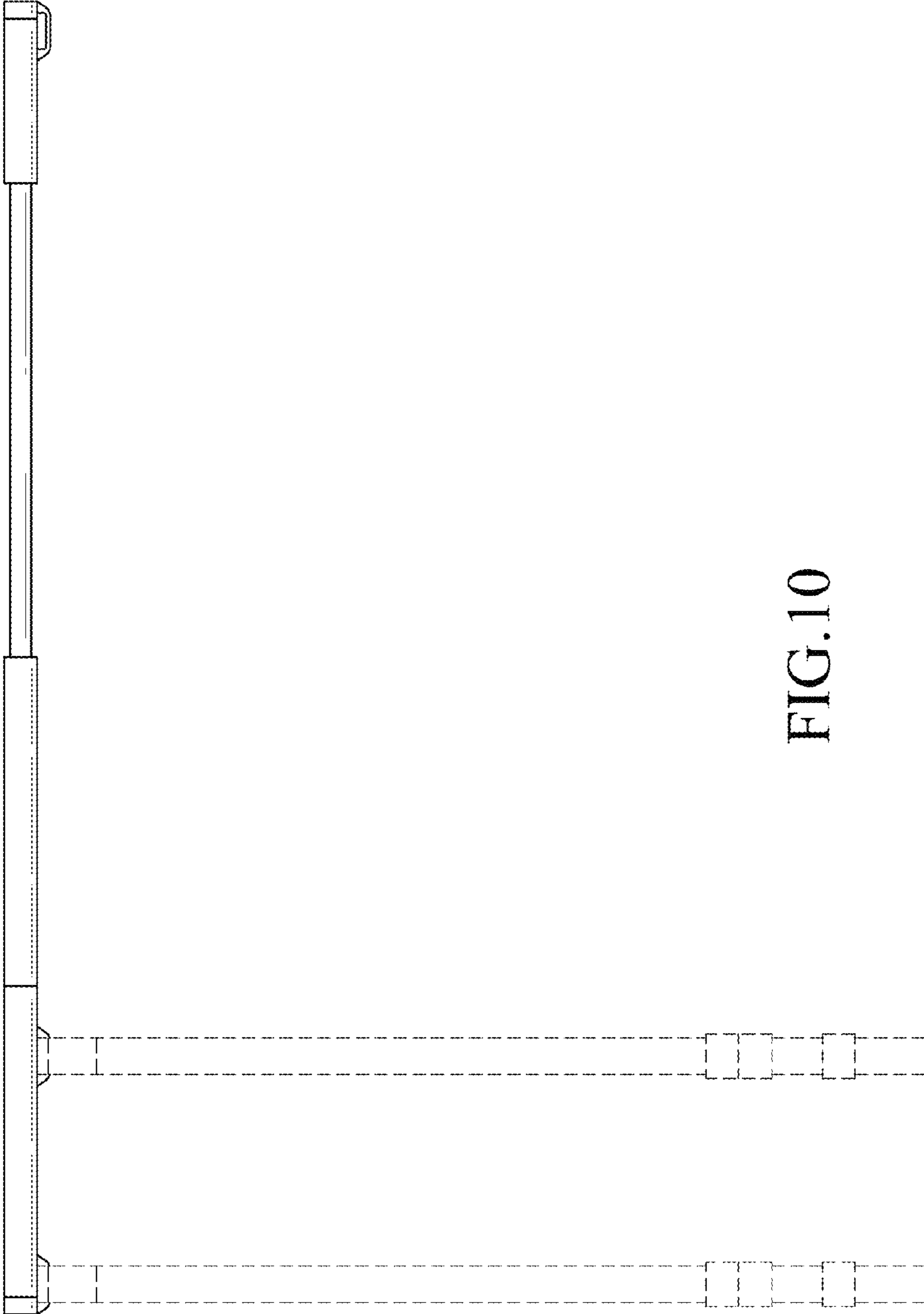


FIG. 10