



US00D748742S

(12) **United States Design Patent**
Simonds et al.

(10) **Patent No.:** **US D748,742 S**
(45) **Date of Patent:** **** Feb. 2, 2016**

(54) **TOY BUILDING BLOCK**

(56) **References Cited**

(71) Applicant: **Chiswick innovations Ltd**, London (GB)

U.S. PATENT DOCUMENTS

(72) Inventors: **Colin Simonds**, London (GB); **James Simonds**, London (GB)

3,513,589 A *	5/1970	Fischer	446/127
D259,762 S *	7/1981	Sabin	D21/505
4,385,467 A *	5/1983	Samuels	446/99
D311,939 S *	11/1990	Andersen	D21/505
D384,707 S *	10/1997	Burns	D21/505
5,938,497 A *	8/1999	Mott	446/122
7,156,392 B2 *	1/2007	Plein	273/156
D573,203 S *	7/2008	Chun	D21/505

(73) Assignee: **CHISWICK INNOVATIONS LTD**, London (GB)

(**) Term: **14 Years**

* cited by examiner

(21) Appl. No.: **29/500,436**

Primary Examiner — Cynthia M Chin

(22) Filed: **Aug. 25, 2014**

(74) *Attorney, Agent, or Firm* — Jacobson Holman, PLLC.

(30) **Foreign Application Priority Data**

(57) **CLAIM**

We claim the ornamental design for a toy building block, as shown and described.

Feb. 25, 2014 (EM) 001404180

DESCRIPTION

(51) **LOC (10) Cl.** **21-01**

FIG. 1 is a front perspective view of a toy building block embodying our design;

(52) **U.S. Cl.**

FIG. 2 is a left side view of FIG. 1;

USPC **D21/505**

FIG. 3 is a side view of FIG. 1 viewed from the apex;

(58) **Field of Classification Search**

USPC D21/484, 485, 490, 493, 494, 495, 500,

FIG. 4 is a side view of FIG. 1 showing the protrusion;

D21/504, 505; 446/69, 85, 102–128;

FIG. 5 is a side view of FIG. 1 showing the concavity;

434/259, 403; 273/153, 153 P, 156

FIG. 6 is a top plan view of FIG. 1; and,

CPC A63H 33/04; A63H 33/06; A63H 33/08;

FIG. 7 is a bottom view of FIG. 1 with broken lines.

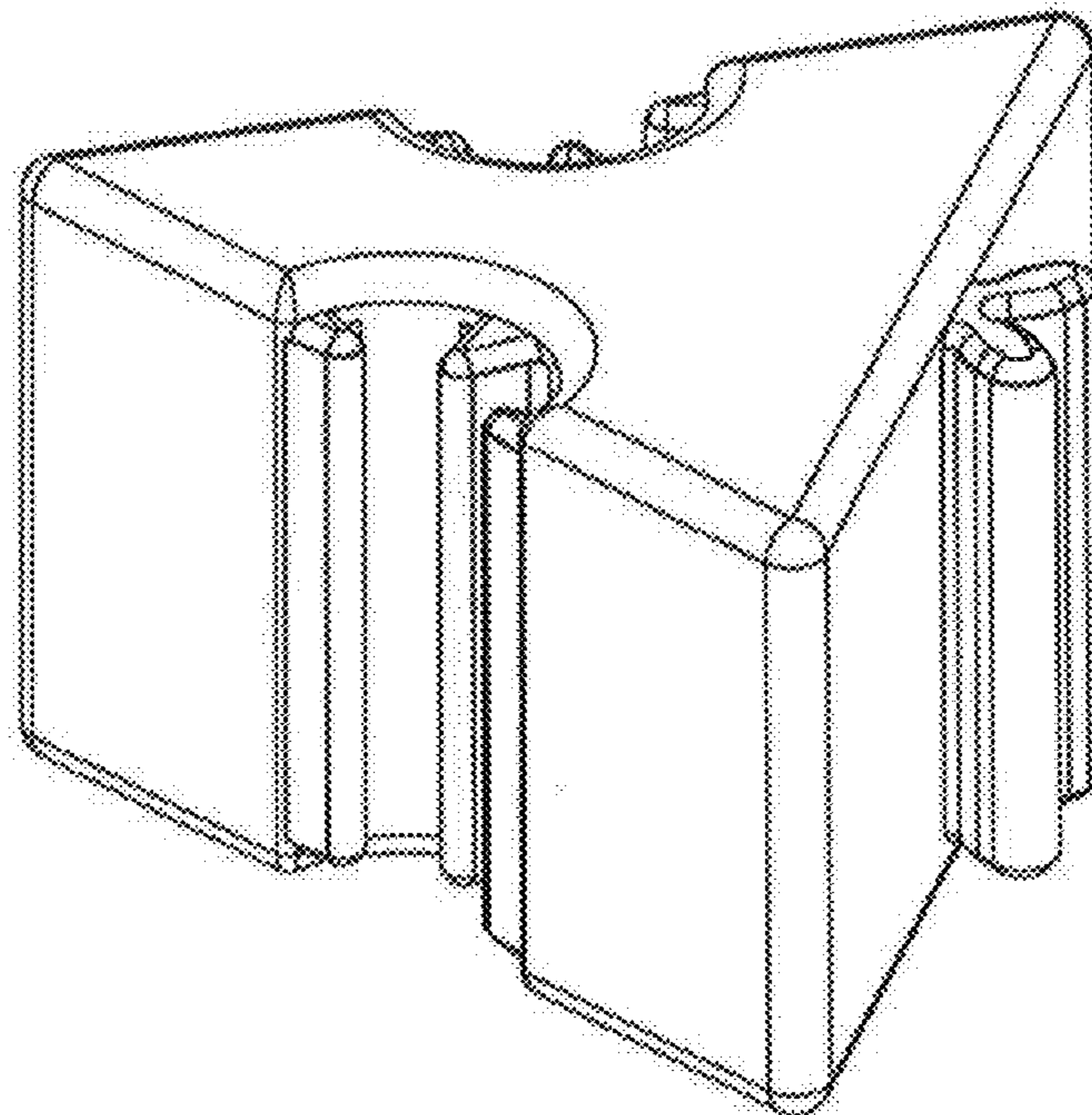
A63H 33/084; A63H 33/086; A63H 33/088;

The portion of a toy building block shown in broken lines form no part of the claimed design.

A63H 33/10; A63H 33/105; A63H 33/108

See application file for complete search history.

1 Claim, 3 Drawing Sheets



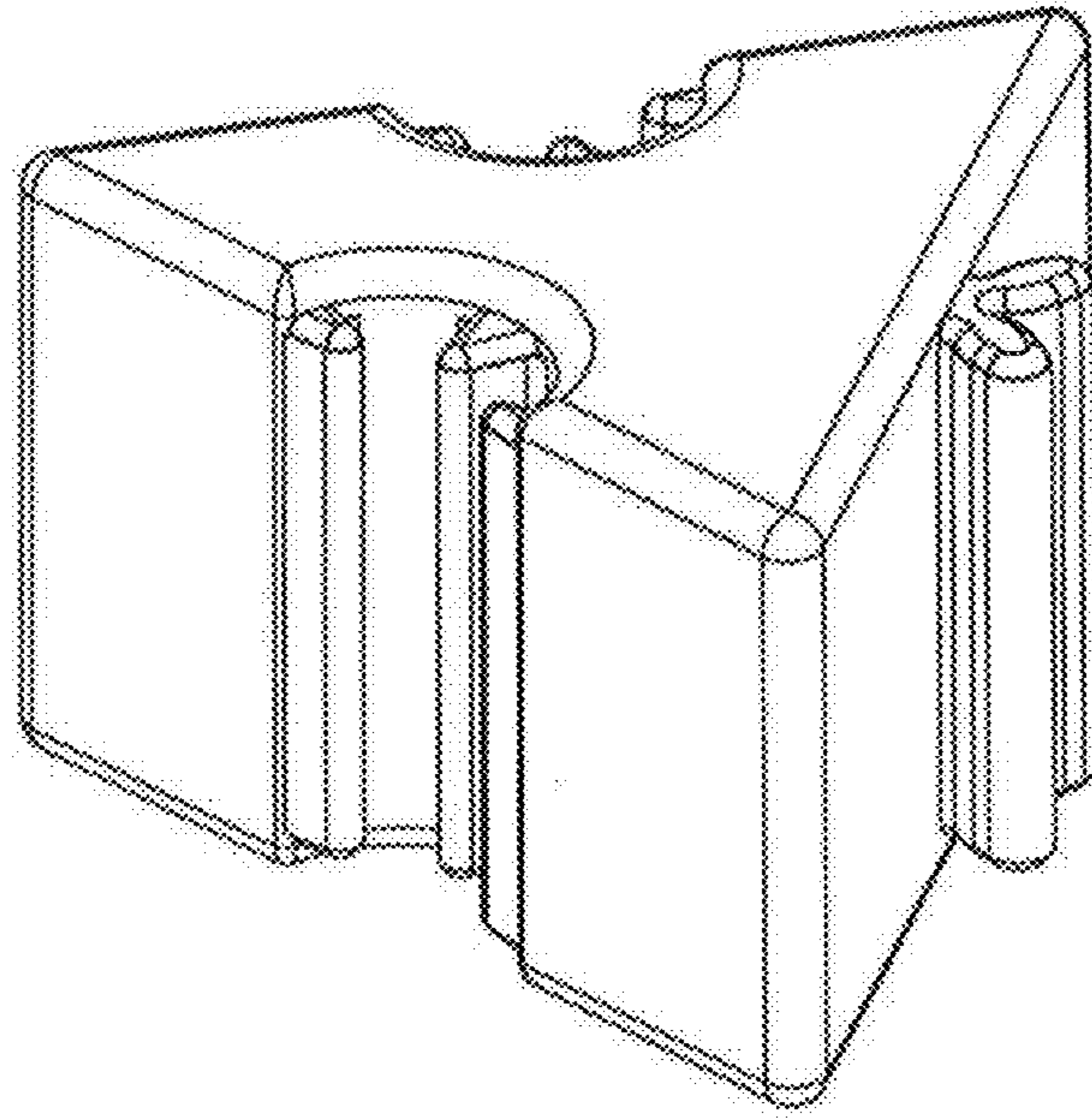


FIG. 1

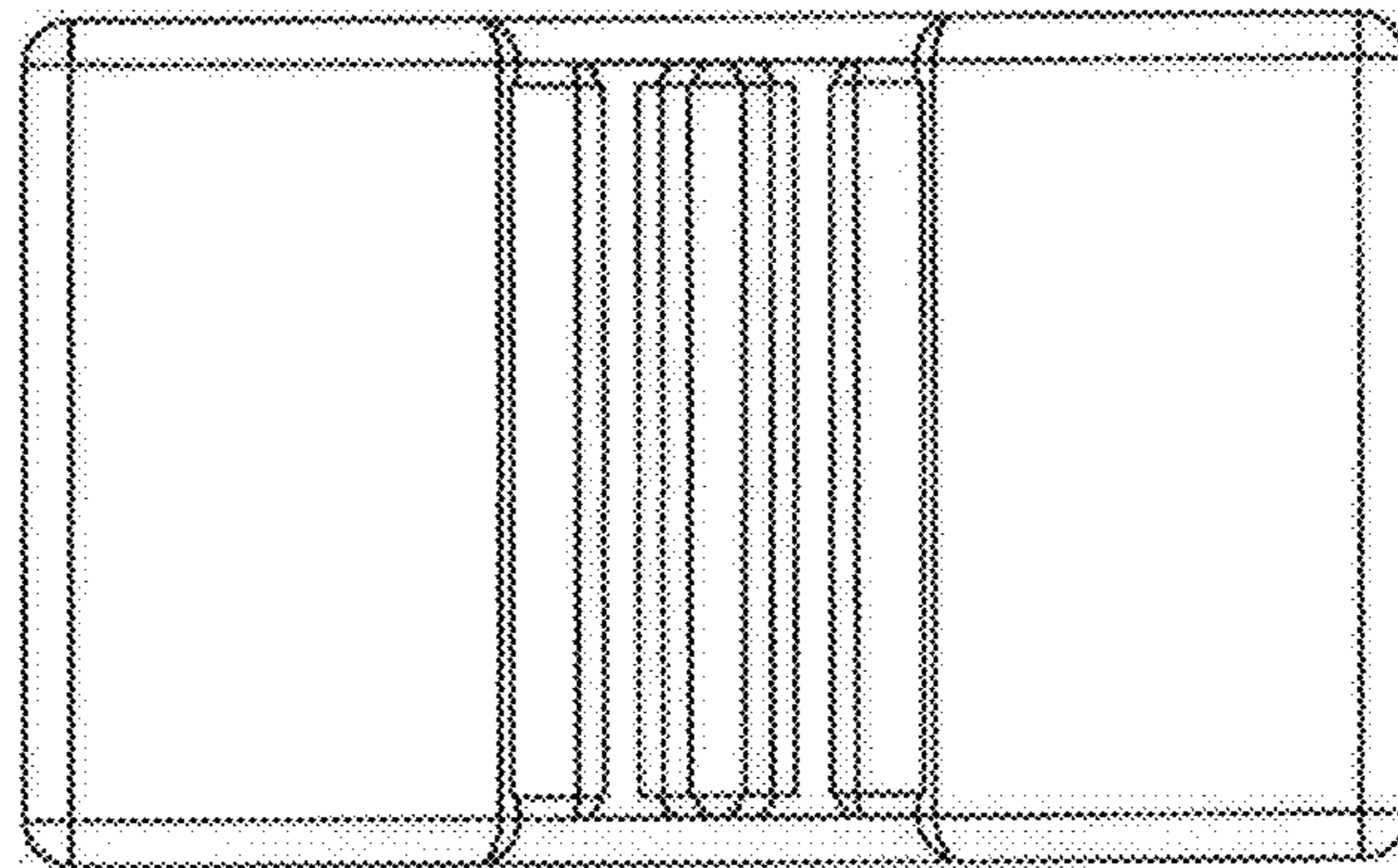


FIG. 2

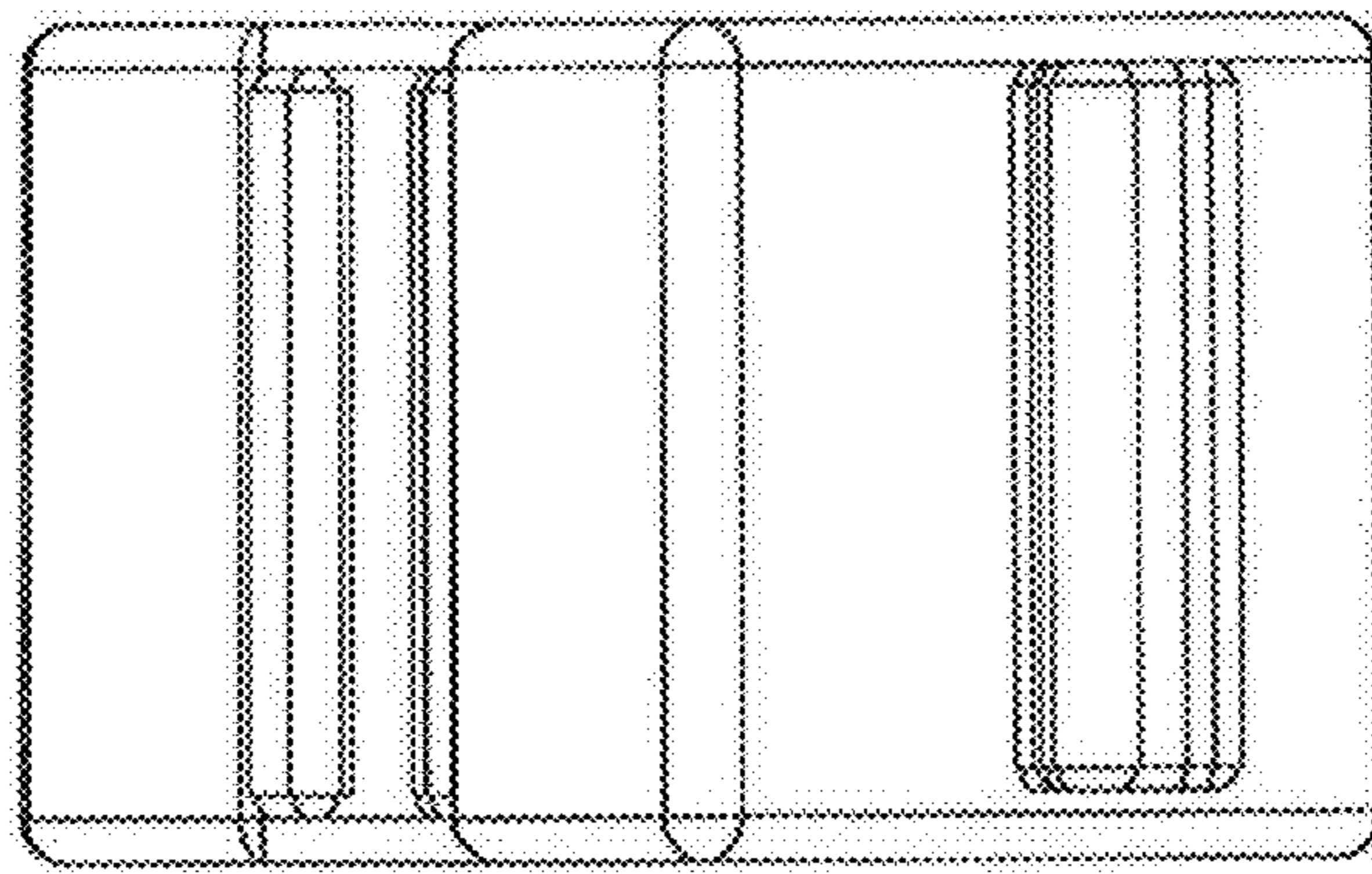


FIG. 3

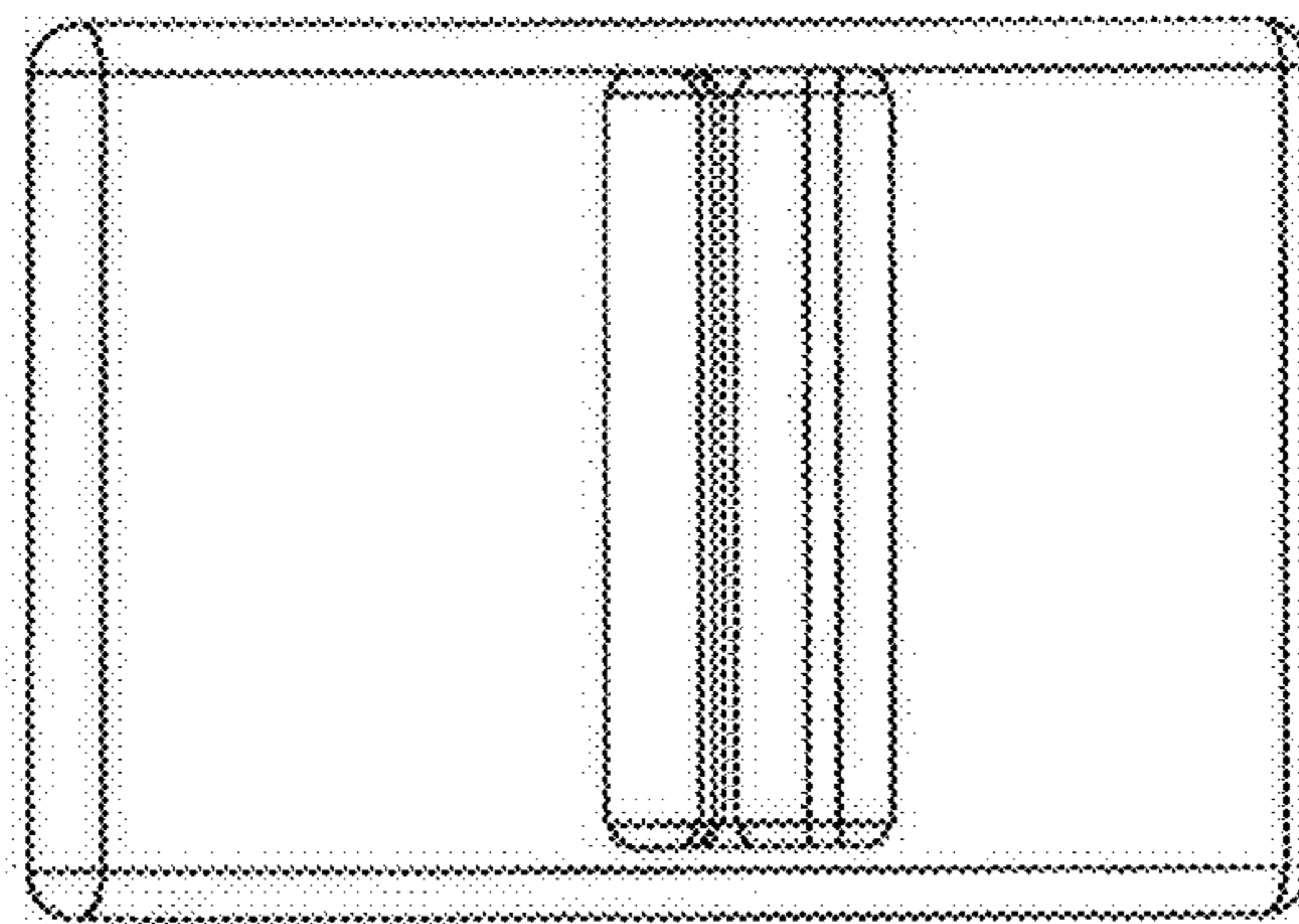


FIG. 4

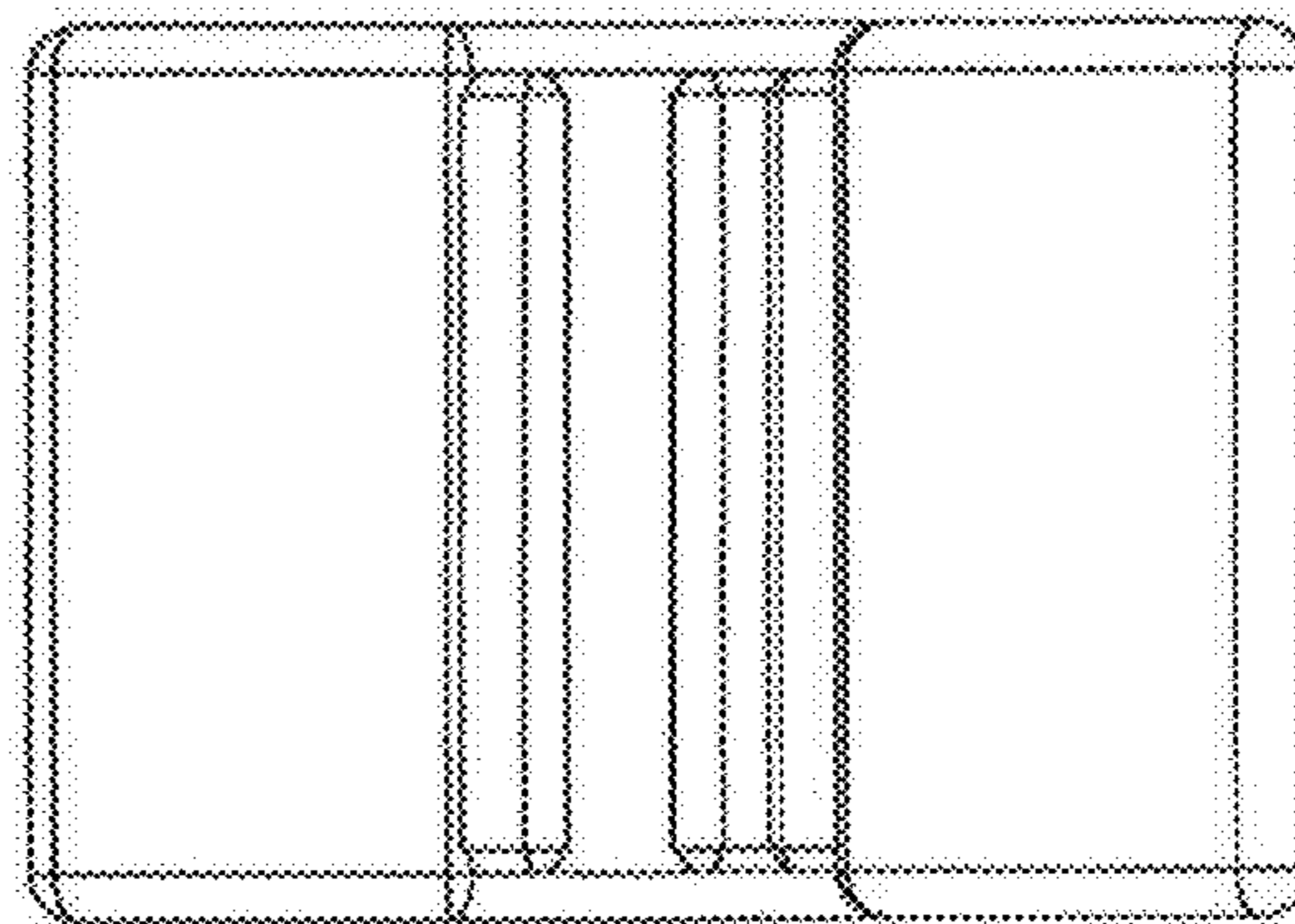


FIG. 5

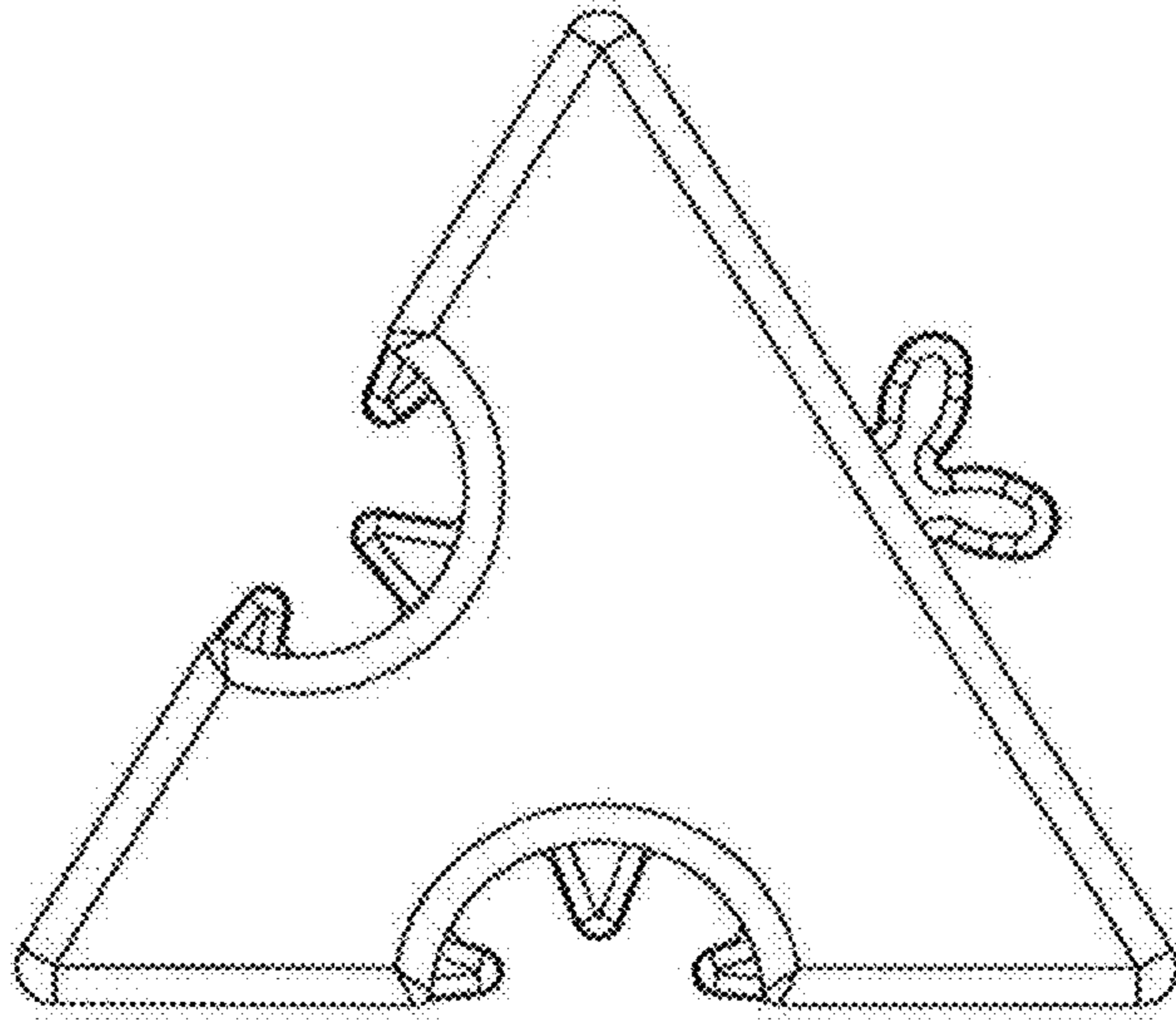


FIG. 6

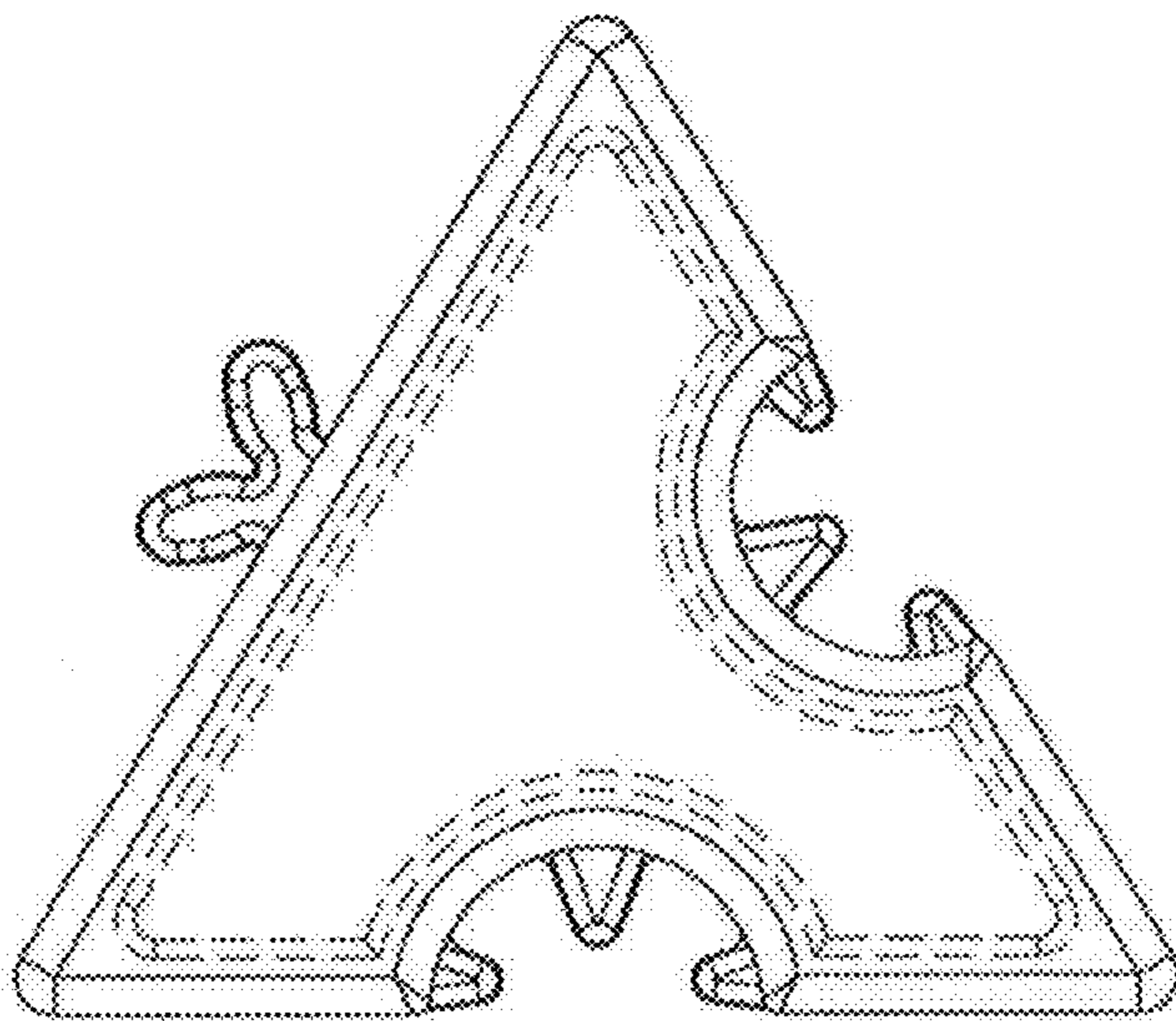


FIG. 7