



US00D748741S

(12) **United States Design Patent**  
**Simonds et al.**

(10) **Patent No.:** **US D748,741 S**  
(45) **Date of Patent:** **\*\* Feb. 2, 2016**

(54) **TOY BUILDING BLOCK**

(71) Applicant: **Chiswick innovations Ltd**, London (GB)

(72) Inventors: **Colin Simonds**, London (GB); **James Simonds**, London (GB)

(73) Assignee: **CHISWICK INNOVATIONS LTD**, London (GB)

(\*\*) Term: **14 Years**

(21) Appl. No.: **29/500,429**

(22) Filed: **Aug. 25, 2014**

(30) **Foreign Application Priority Data**

Feb. 25, 2014 (EM) ..... 001404180

(51) **LOC (10) Cl.** ..... **21-01**

(52) **U.S. Cl.**  
USPC ..... **D21/499**

(58) **Field of Classification Search**  
USPC ..... D21/333, 373, 386, 389, 404, 468, 470, D21/471, 475, 484-505; 446/69, 85, 446/102-128; 434/167, 208, 259, 403; 273/153, 156, 160; D3/304, 314; D24/101; D9/640; 220/23.4; 40/720  
CPC ..... A63H 33/04; A63H 33/06; A63H 33/062; A63H 33/08; A63H 33/088; A63F 9/12; A63F 9/1224

See application file for complete search history.

(56) **References Cited**

U.S. PATENT DOCUMENTS

D430,231 S *	8/2000	Sorensen et al. ....	D21/500
D456,463 S *	4/2002	Sorensen .....	D21/500
D465,247 S *	11/2002	Sorensen .....	D21/500
6,648,715 B2 *	11/2003	Wiens et al. ....	446/121
7,648,407 B1 *	1/2010	Sorensen .....	446/120
D714,401 S *	9/2014	Lin .....	D21/499
2007/0163010 A1 *	7/2007	Ishii .....	D21/484

\* cited by examiner

*Primary Examiner* — Cynthia M Chin

(74) *Attorney, Agent, or Firm* — Jacobson Holman, PLLC.

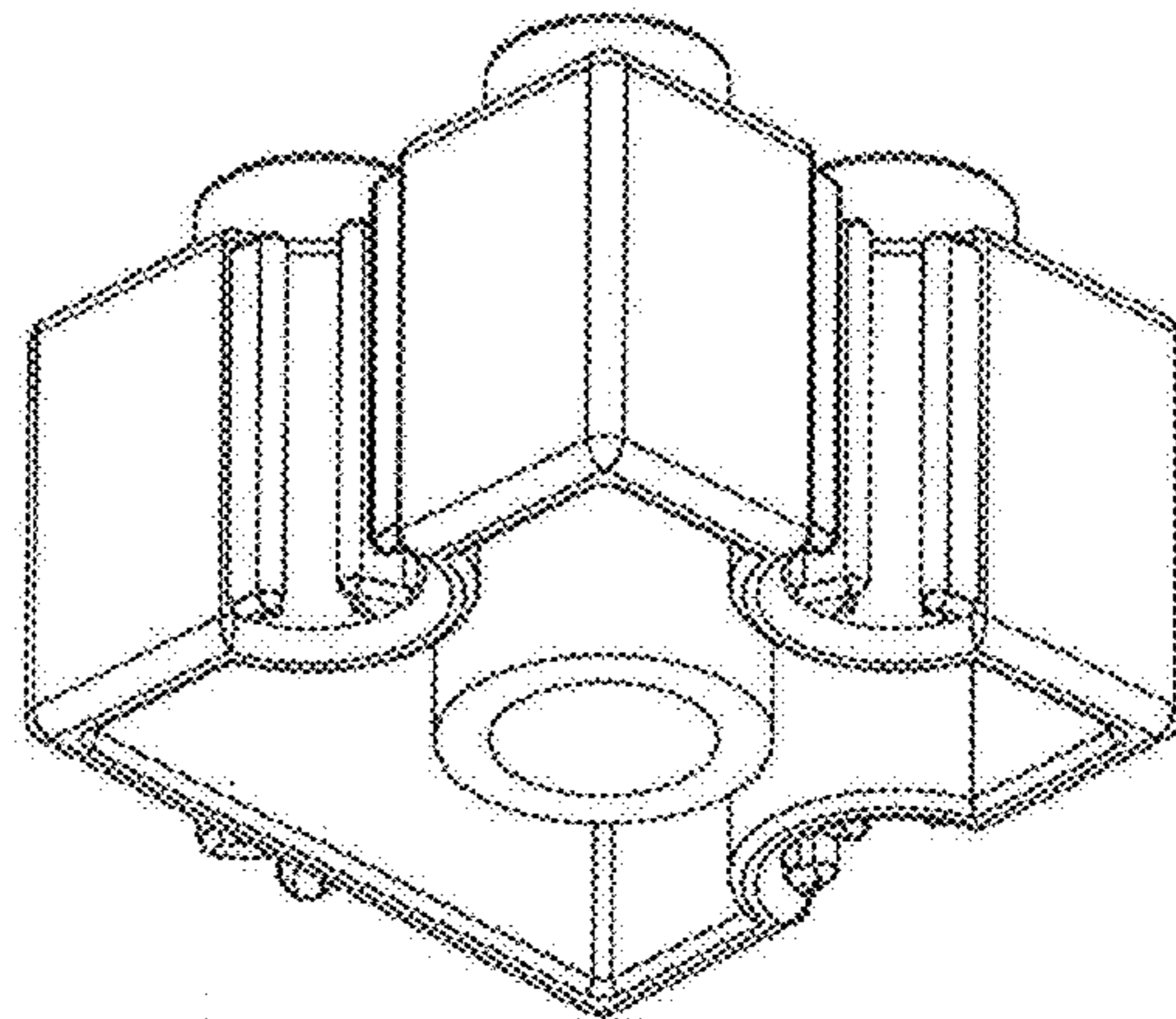
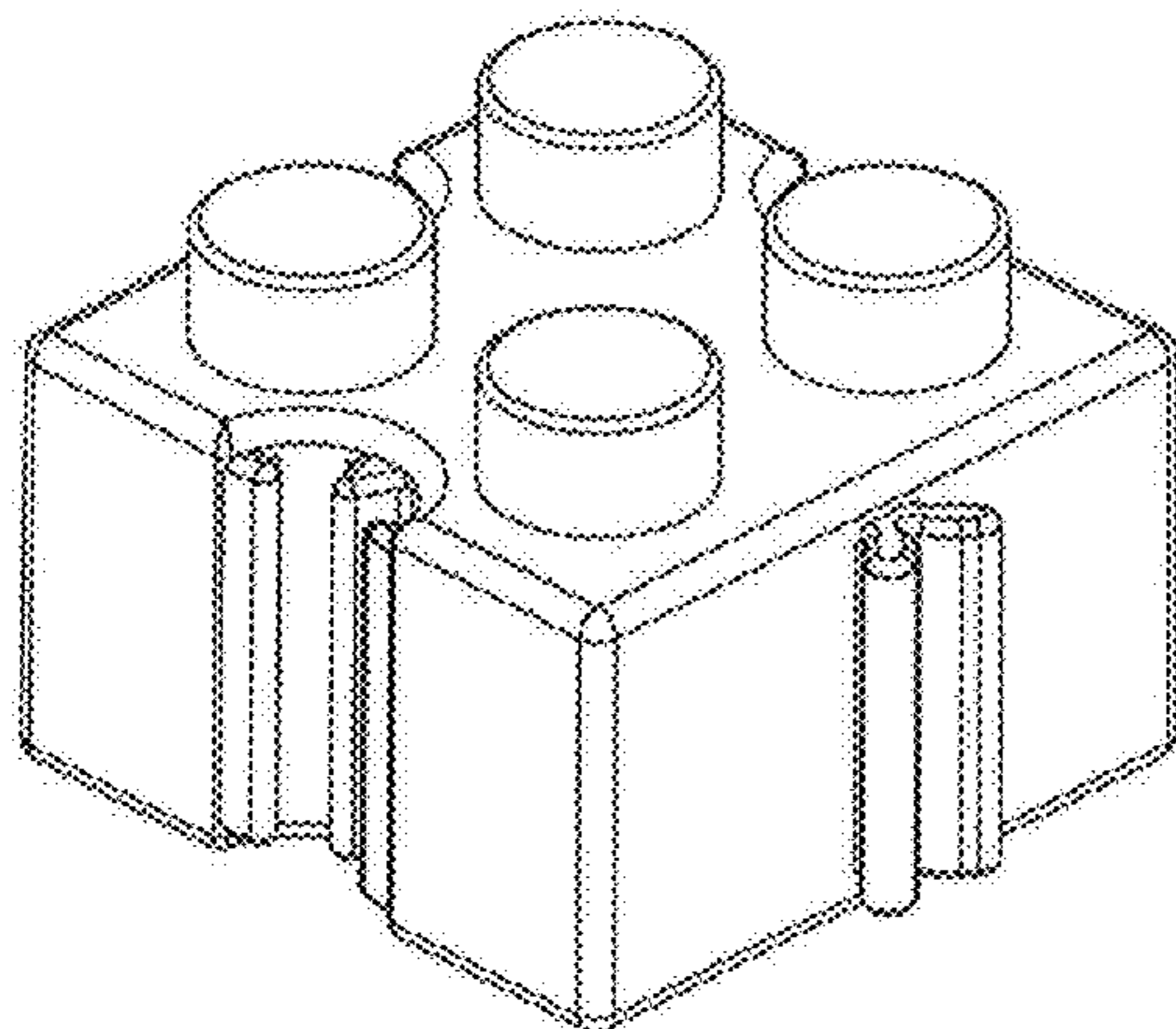
(57) **CLAIM**

We claim the ornamental design for a toy building block, as shown and described.

**DESCRIPTION**

FIG. 1 is a top perspective view of a toy building block embodying our design;  
FIG. 2 is a bottom perspective view of FIG. 1;  
FIG. 3 is a left side view of FIG. 1;  
FIG. 4 is a side view of FIG. 3 rotated 90 degrees;  
FIG. 5 is a side view of FIG. 4 rotated 90 degrees;  
FIG. 6 is a top plan view of FIG. 1; and,  
FIG. 7 is a bottom view of FIG. 1 with broken lines.  
The portions of the toy building block shown in broken lines form no part of the claimed design.

**1 Claim, 3 Drawing Sheets**



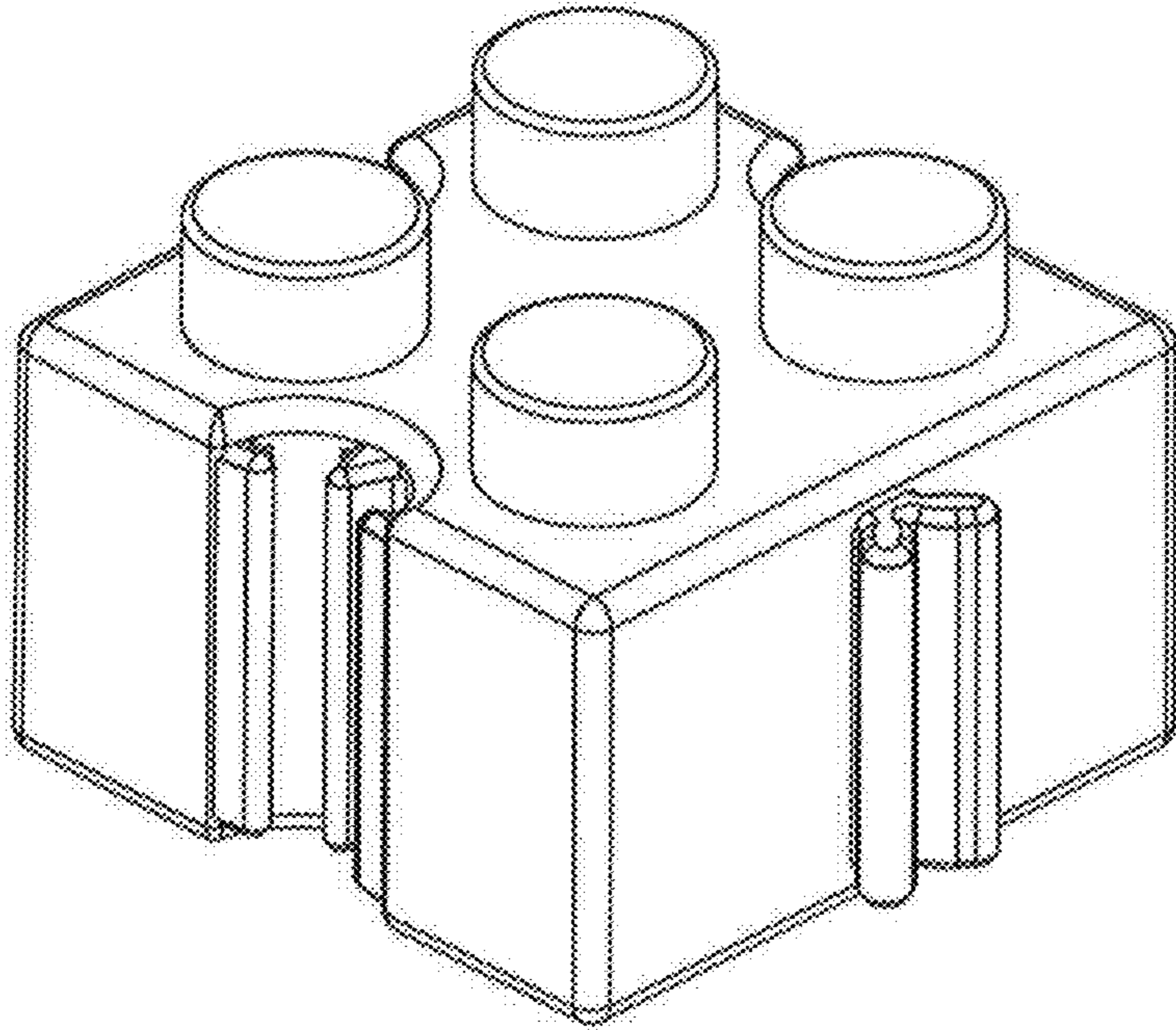


FIG. 1

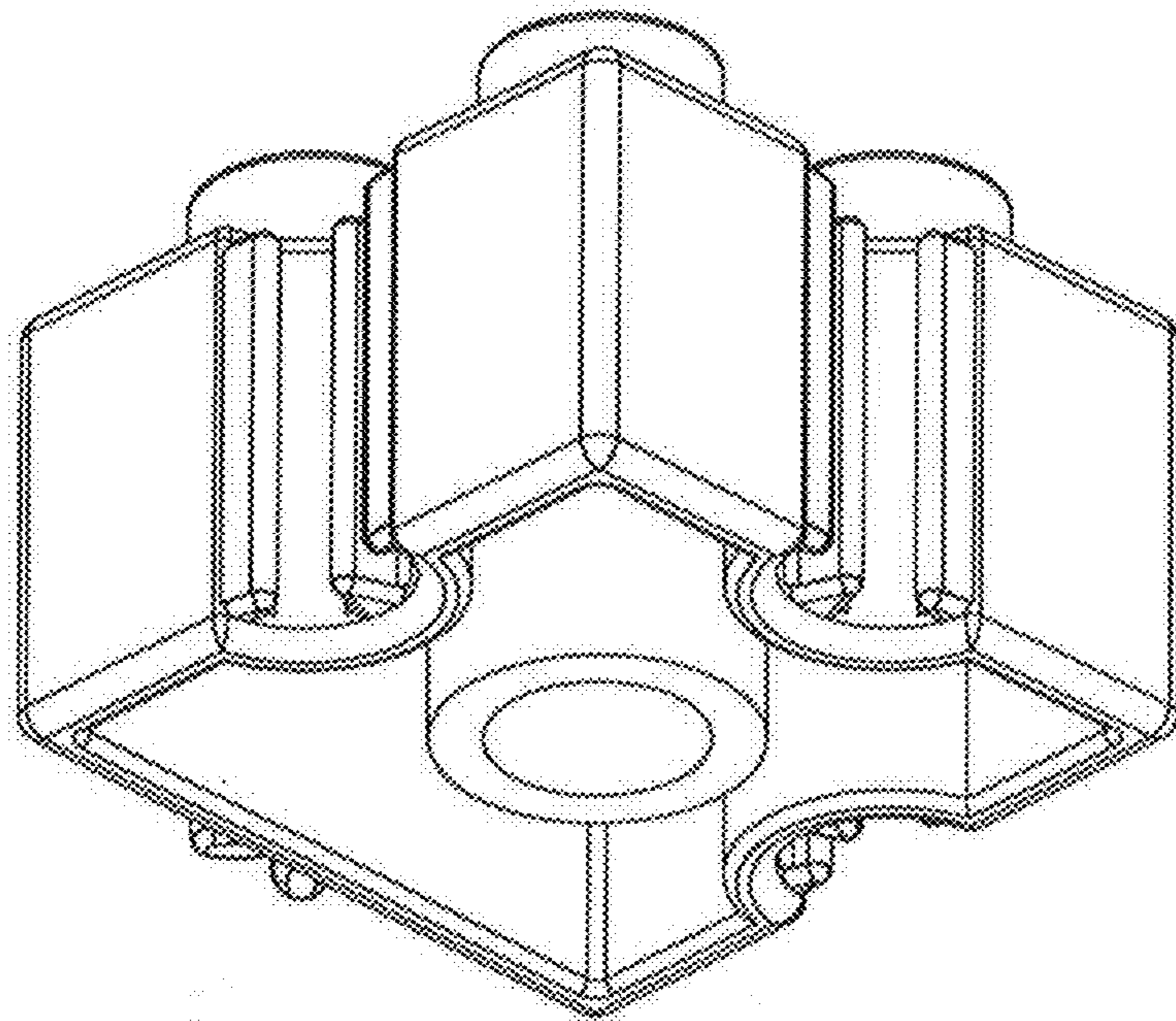


FIG. 2



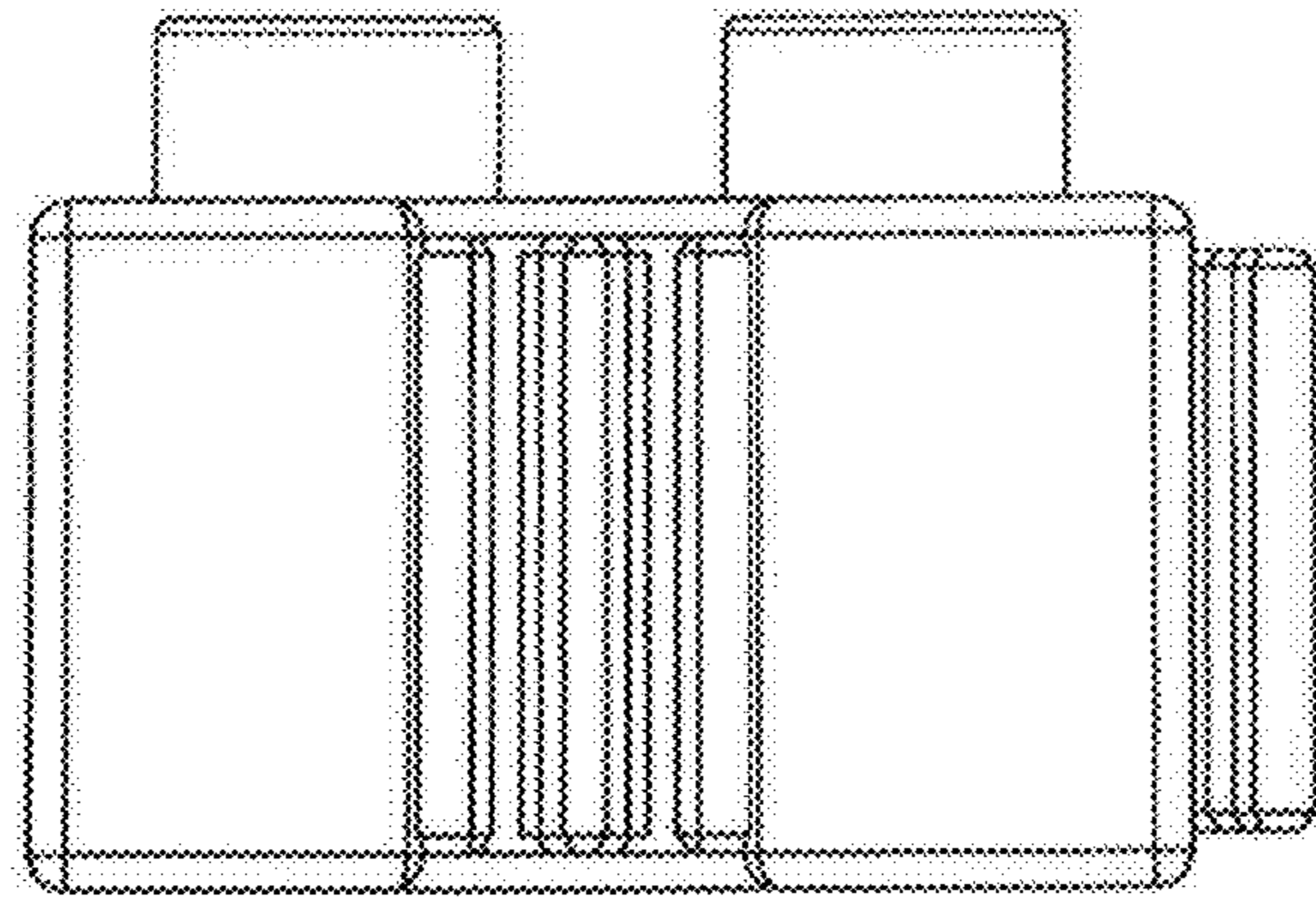


FIG. 3

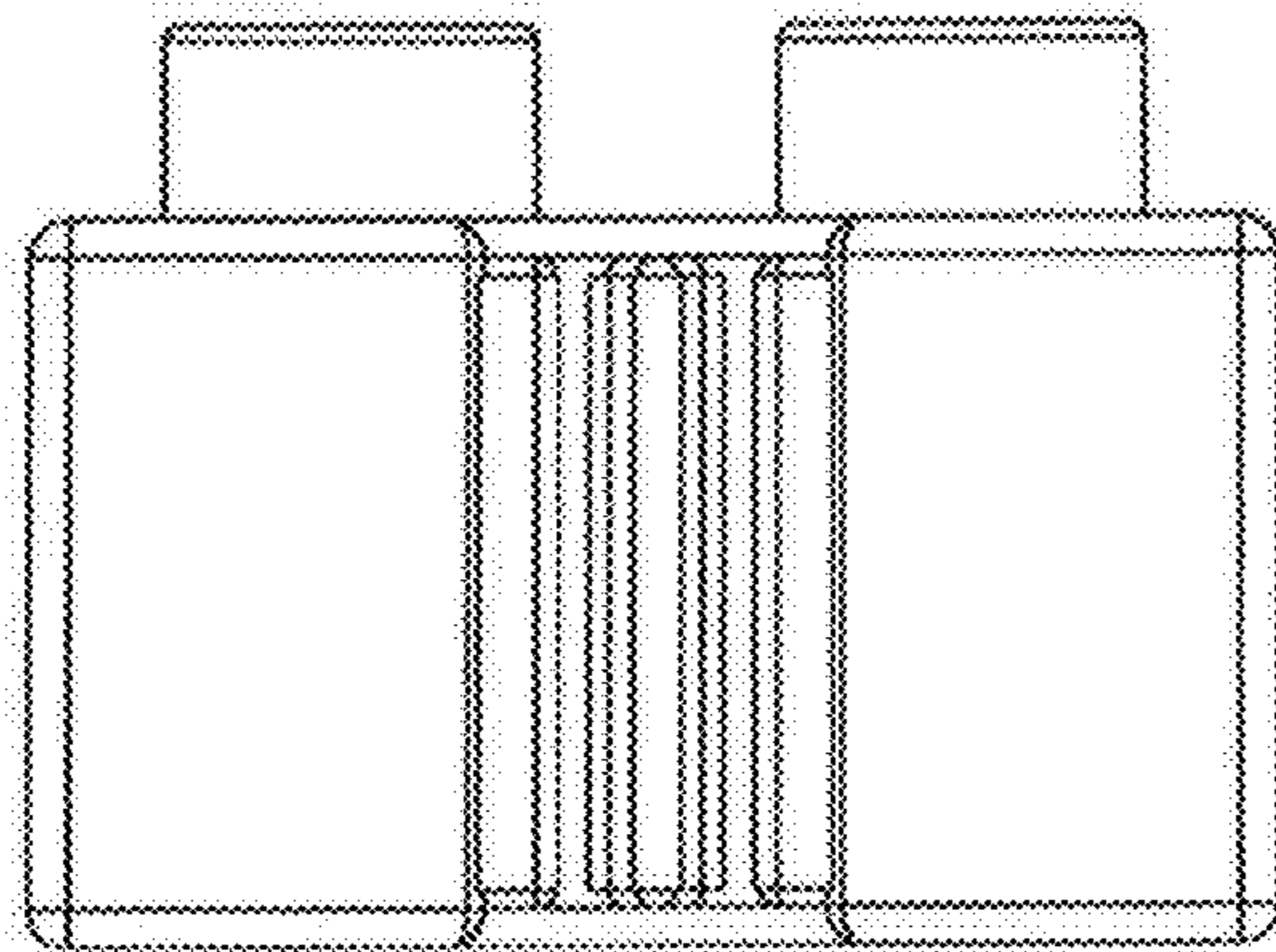


FIG. 4

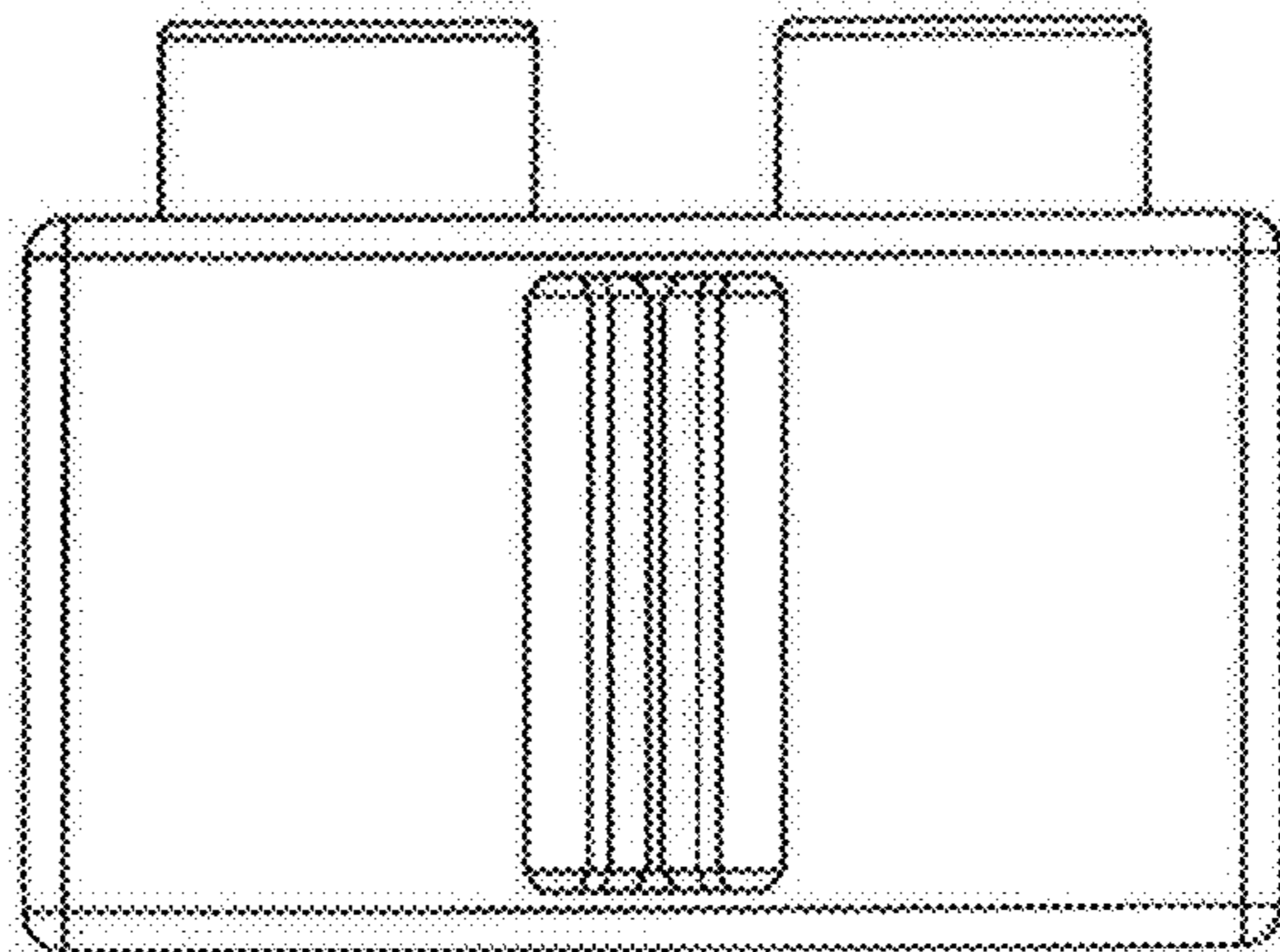


FIG. 5

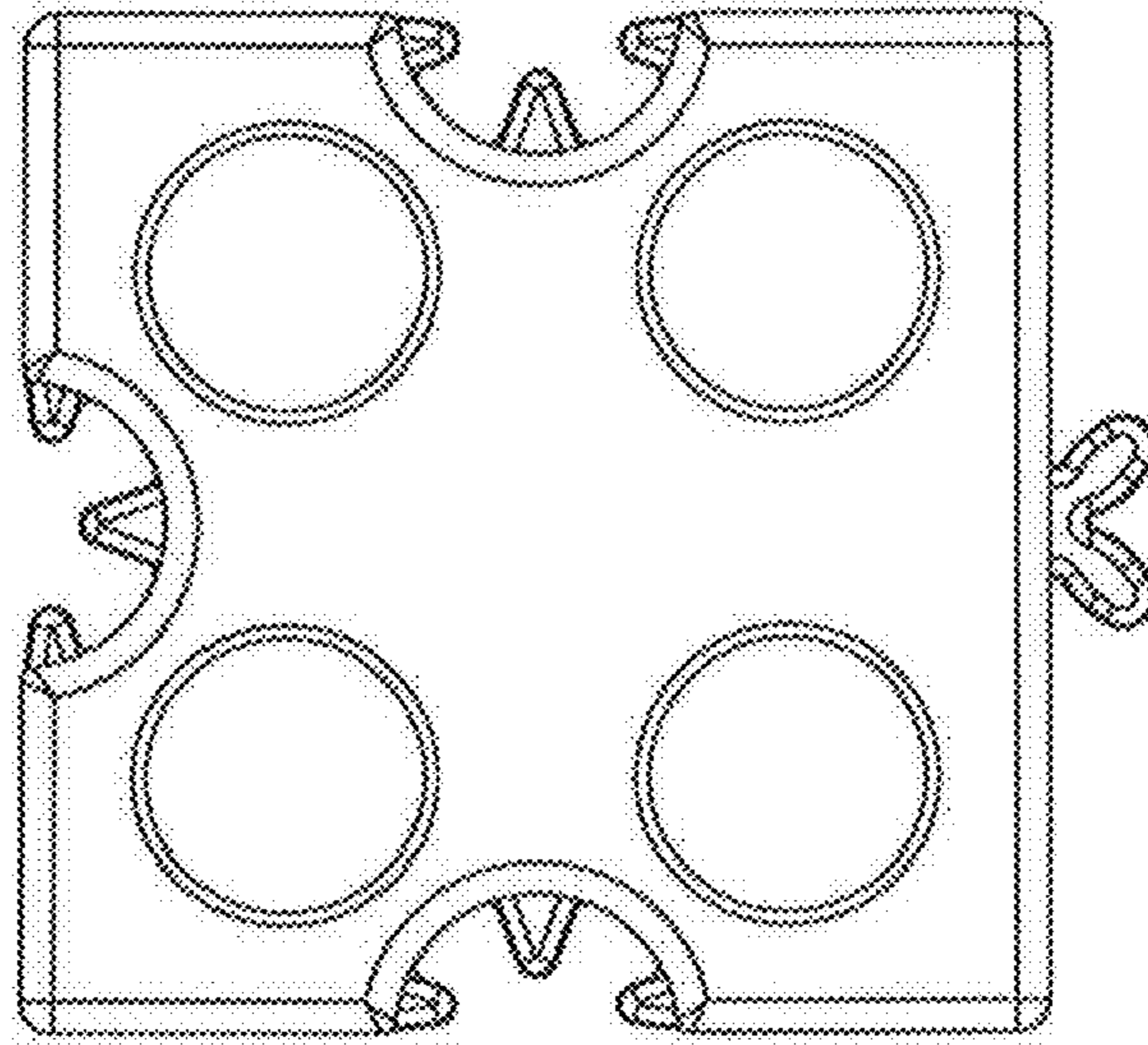


FIG. 6

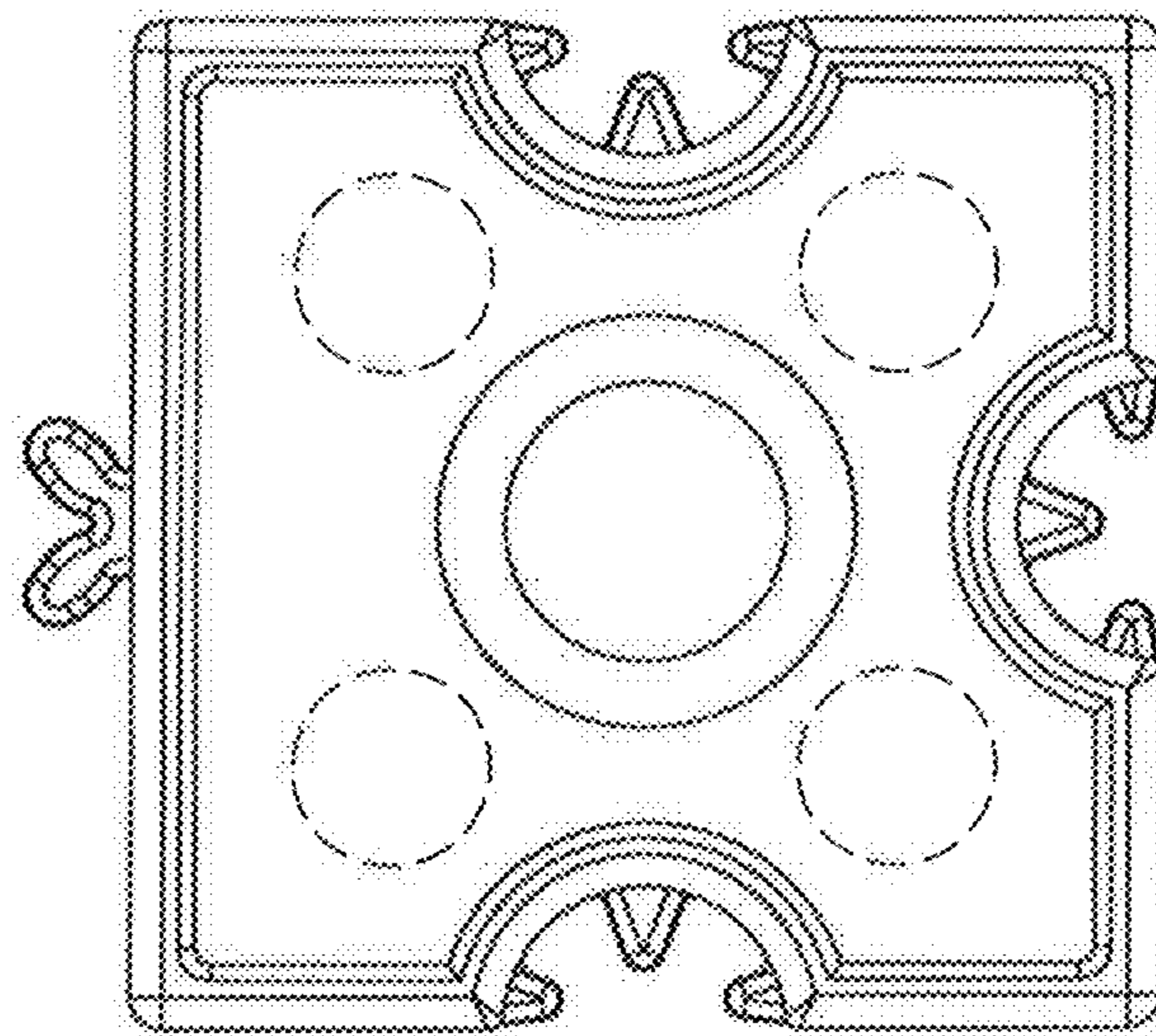


FIG. 7