



US00D748740S

(12) **United States Design Patent**
Sekido et al.

(10) **Patent No.:** **US D748,740 S**

(45) **Date of Patent:** **** Feb. 2, 2016**

(54) **BEARING FOR YO-YO**

(71) Applicants: **Haruo Sekido**, Kanagawa (JP); **Hiroshi Nishizawa**, Kanagawa (JP)

(72) Inventors: **Haruo Sekido**, Kanagawa (JP); **Hiroshi Nishizawa**, Kanagawa (JP)

(73) Assignee: **NSK LTD.**, Tokyo (JP)

(**) Term: **14 Years**

(21) Appl. No.: **29/436,800**

(22) Filed: **Nov. 9, 2012**

(30) **Foreign Application Priority Data**

Aug. 14, 2012	(JP)	2012-019562
Aug. 14, 2012	(JP)	2012-019568
Aug. 14, 2012	(JP)	2012-019569
Aug. 14, 2012	(JP)	2012-019570
Sep. 20, 2012	(JP)	2012-022760
Sep. 20, 2012	(JP)	2012-022761

(51) **LOC (10) Cl.** **21-02**

(52) **U.S. Cl.**
USPC **D21/464**

(58) **Field of Classification Search**
USPC D21/453, 455, 456, 457, 460, 461, 463, D21/464, 465, 466, 486-488, 495, 563; D8/349, 354, 356-360.1, 373, D8/374-376, 380, 387, 400, 499; D3/24; 446/31, 78, 88, 95, 96, 102-104, 111, 446/113, 118, 122, 123, 173, 174, 235, 446/236-266, 431, 444, 447-453; 384/271, 384/272, 424-428, 437, 441, 490, 514, 520, 384/522, 538, 540, 542-549, 416-419

See application file for complete search history.

(56) **References Cited**

U.S. PATENT DOCUMENTS

870,276	A *	11/1907	Dackiewicz	384/514
922,154	A *	5/1909	Knipe	384/547
1,240,382	A *	9/1917	Spencer	384/510
1,587,766	A *	6/1926	English	446/263
3,138,356	A *	6/1964	McClain	244/155 A
3,501,208	A *	3/1970	Kessler	384/547
3,712,694	A *	1/1973	Smith	384/520
3,728,813	A *	4/1973	Jolliffe	446/255

4,085,981	A *	4/1978	Takenaka	384/418
4,156,986	A *	6/1979	Kupperman et al.	446/462
D315,288	S *	3/1991	Alonso	D8/358
5,017,172	A *	5/1991	Seifert	446/250
5,462,368	A *	10/1995	Lob	384/512
6,113,456	A *	9/2000	Hadzicki et al.	446/250
6,155,903	A *	12/2000	Van Dan Elzen et al.	446/250
6,196,890	B1 *	3/2001	Amaral	446/250
6,435,725	B1 *	8/2002	Smith	384/492
6,513,983	B1 *	2/2003	Tanaka et al.	384/490
6,565,408	B1	5/2003	Marcantonio et al.	
7,125,310	B1 *	10/2006	Van Dan Elzen	446/250
7,175,500	B1	2/2007	Difeo	
7,419,417	B1 *	9/2008	VanKuiken	446/250
7,637,669	B2 *	12/2009	Glueck	384/559
2005/0287910	A1 *	12/2005	O'Sullivan	446/250
2006/0178083	A1	8/2006	Van Den Elzen	
2006/0211330	A1 *	9/2006	Cahill et al.	446/250
2009/0050091	A1 *	2/2009	Watanabe et al.	123/90.44
2010/0112894	A1 *	5/2010	Smith	446/250
2010/0316323	A1 *	12/2010	Shibata et al.	384/589
2012/0134615	A1 *	5/2012	Takasugi et al.	384/492
2013/0109269	A1 *	5/2013	Hasegawa et al.	446/250
2013/0165015	A1 *	6/2013	Sekido et al.	446/250

FOREIGN PATENT DOCUMENTS

JP	56-151509	U	11/1981
JP	2003-135859	A	5/2003
JP	2004-125171	A	4/2004
JP	2006-47268	A	2/2006
JP	2009-197899	A	9/2009
JP	2010-196845	A	9/2010

OTHER PUBLICATIONS

International Search Report (PCT/ISA/210), dated May 1, 2012, issued by the International Searching Authority in International Patent Application No. PCT/JP2012/054298, which corresponds to related U.S. Appl. No. 13/806,359.

Written Opinion (PCT/ISA/237), dated May 1, 2012, issued by the International Searching Authority in International Patent Application No. PCT/JP2012/054298, which corresponds to related U.S. Appl. No. 13/806,359.

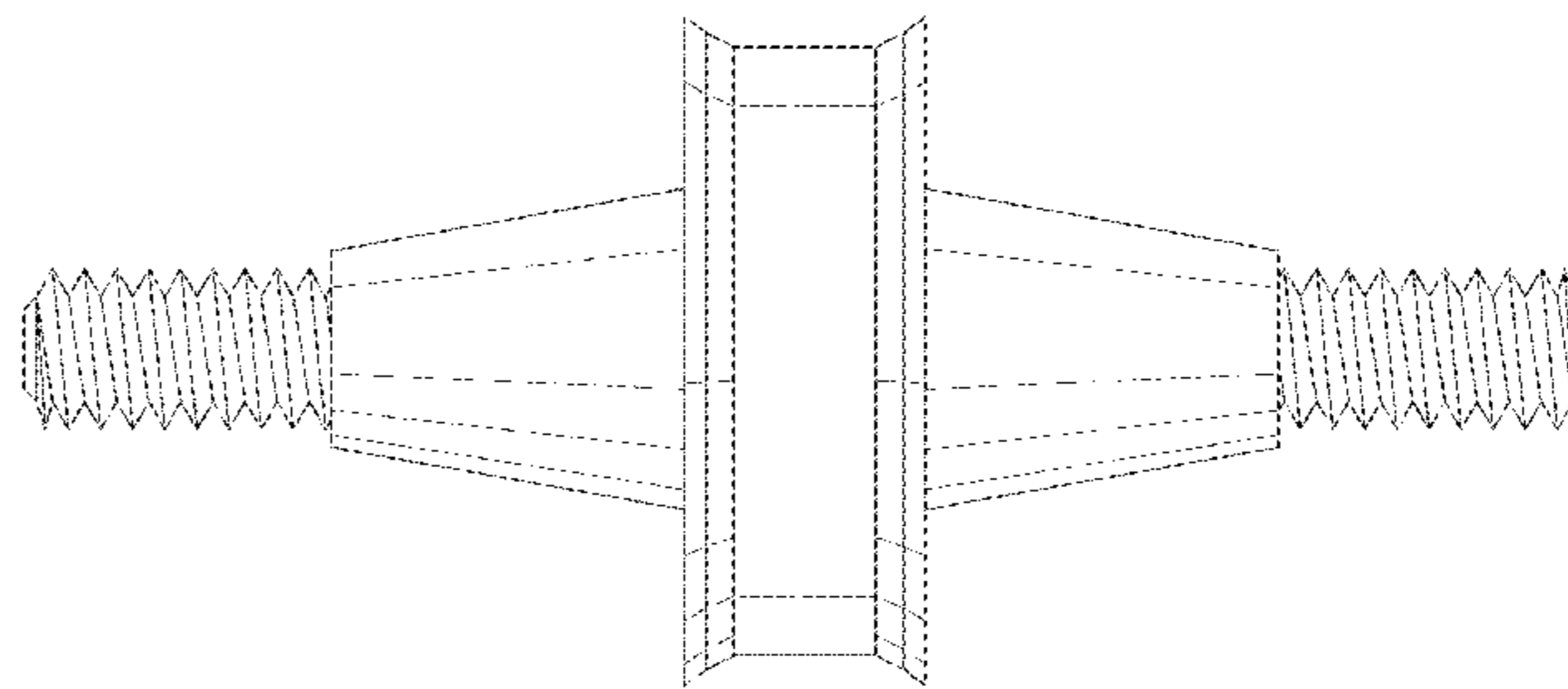
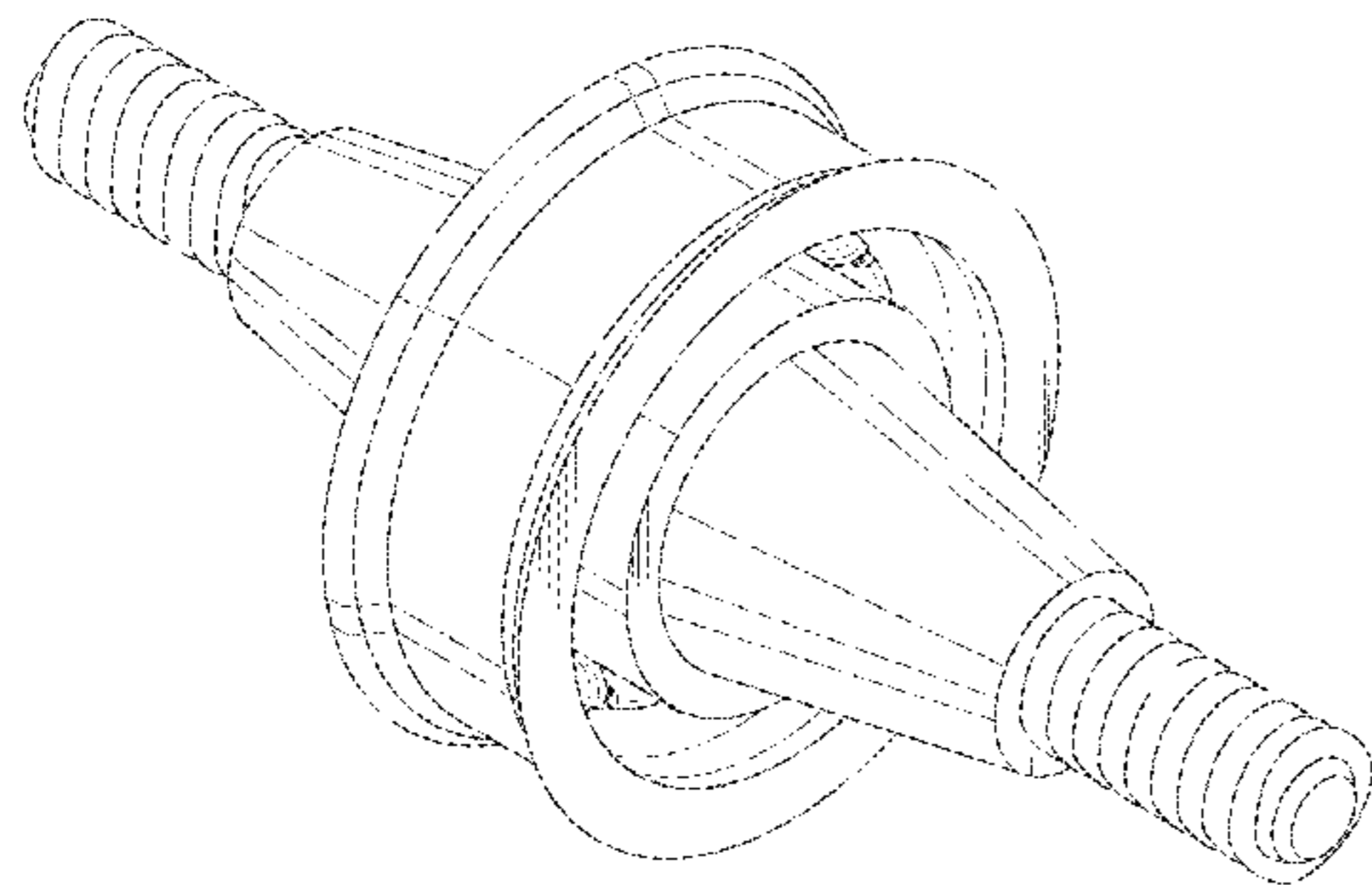
* cited by examiner

Primary Examiner — Catherine Tuttle

(74) *Attorney, Agent, or Firm* — Sughrue Mion, PLLC

(57) **CLAIM**

The ornamental design for a bearing for a yo-yo, as shown and described.



DESCRIPTION

FIG. 1 is a front, top and right perspective view showing a first embodiment of our new design for a bearing for a yo-yo;
FIG. 2 is a front view thereof;
FIG. 3 is a rear view thereof;
FIG. 4 is a left side view thereof;
FIG. 5 is a right side view thereof;
FIG. 6 is a top view thereof;
FIG. 7 is a bottom view thereof;
FIG. 8 is reduced scale front view showing the design in its intended context;
FIG. 9 is a front, top, and right perspective view showing a second embodiment of our new design for a bearing for a yo-yo;

FIG. 10 is a front view thereof;
FIG. 11 is a rear view thereof;
FIG. 12 is a left side view thereof;
FIG. 13 is a right side view thereof;
FIG. 14 is a top view thereof;
FIG. 15 is a bottom view thereof; and,
FIG. 16 is a reduced scale front view showing the second embodiment of the design in its intended context.
The appearance within the unshaded trapezoidal shaped areas in FIGS. 4 and 12 forms no part of the claimed design.
The broken lines showing a cross sectional view of a yo-yo in FIGS. 8 and 16 are for illustrative purposes only and form no part of the claimed design.

1 Claim, 14 Drawing Sheets

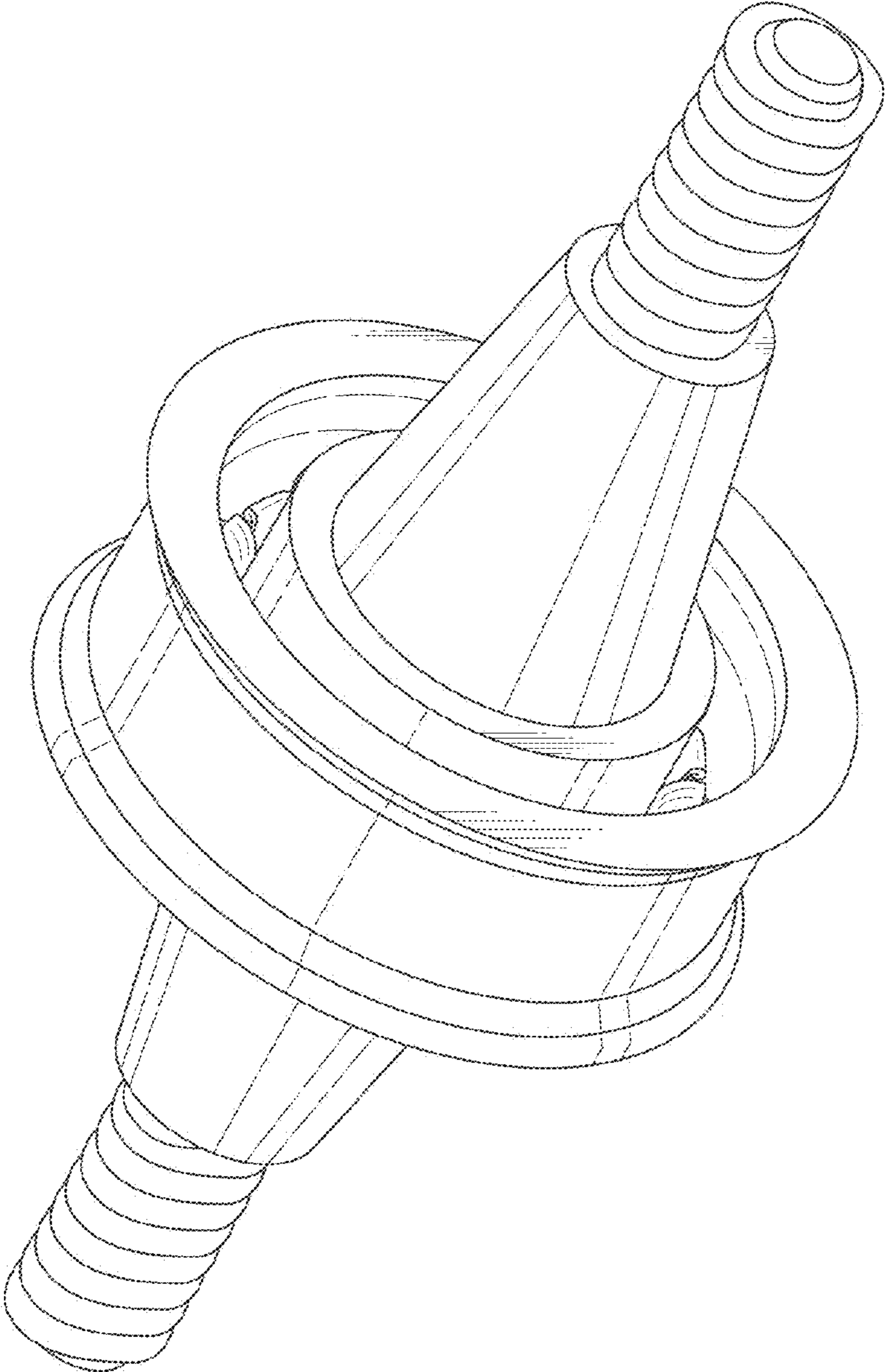


FIG. 1

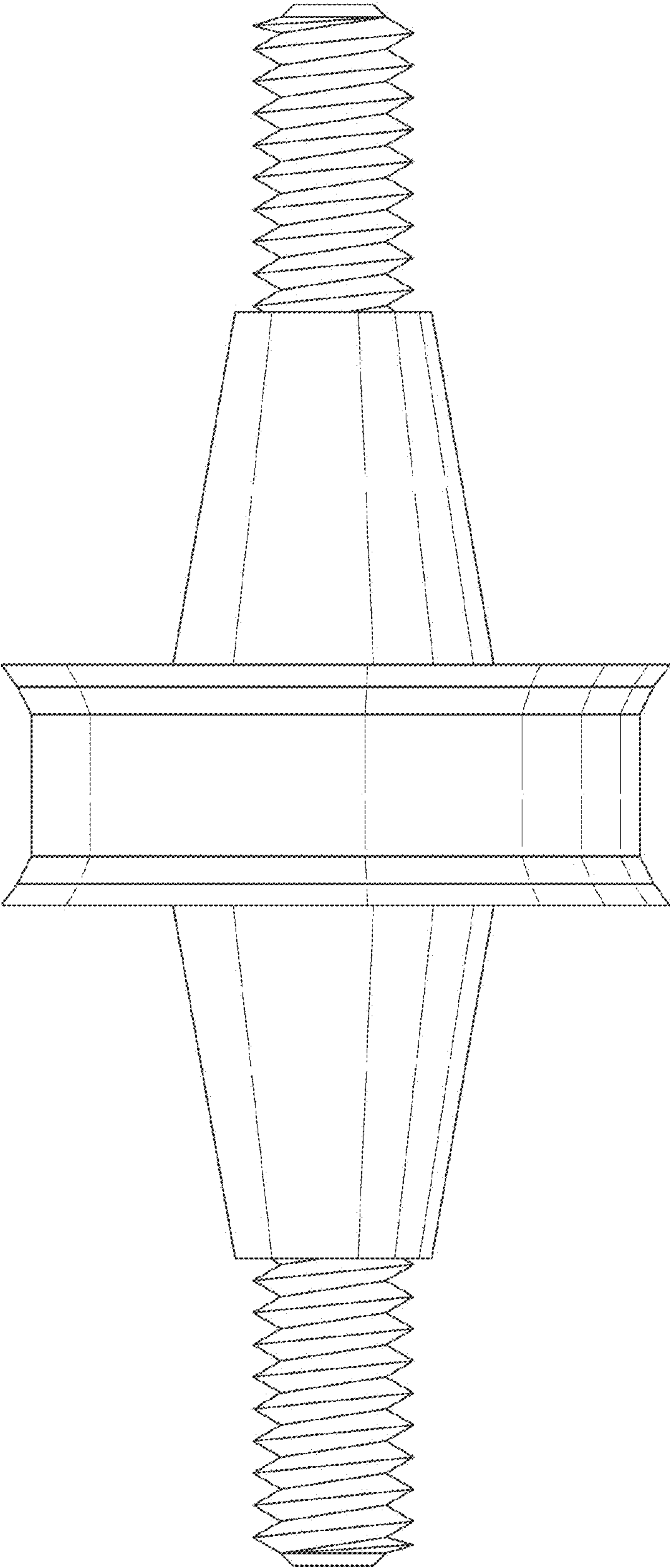


FIG. 2

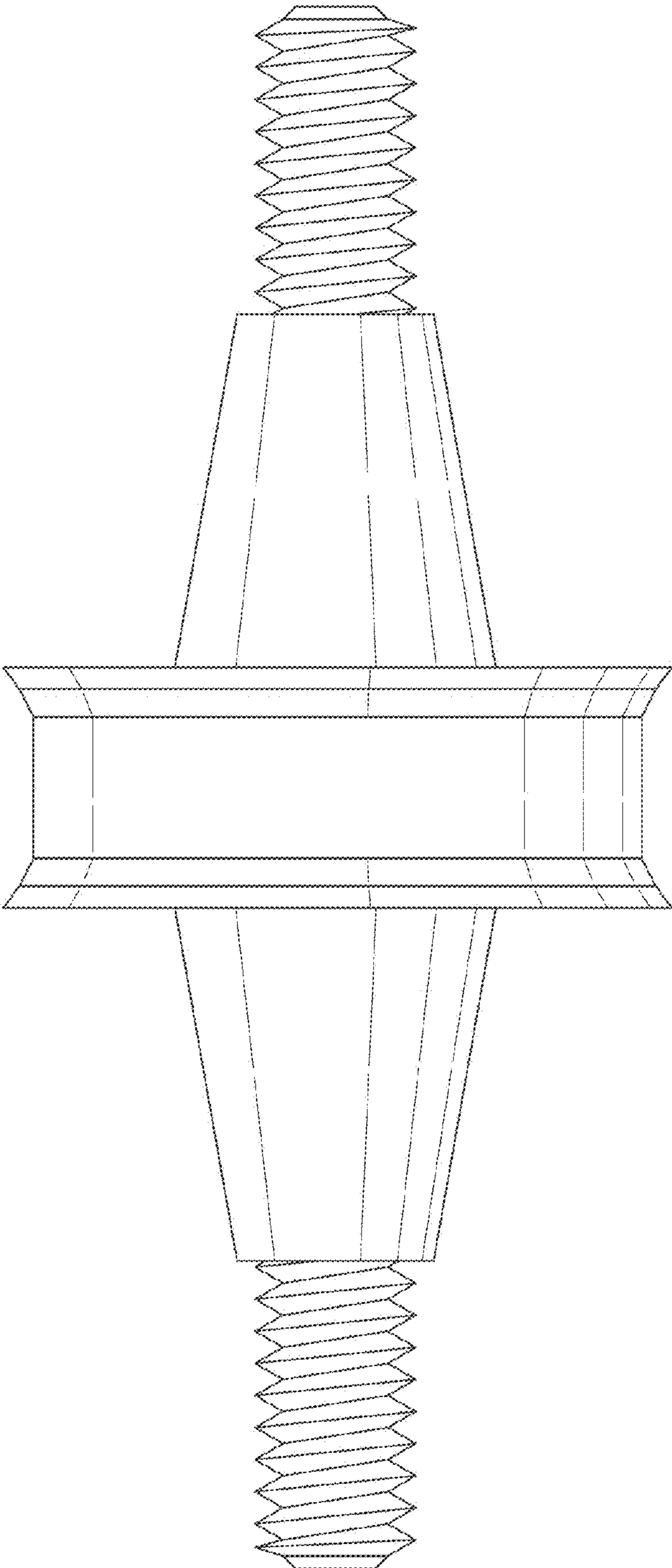


FIG. 3

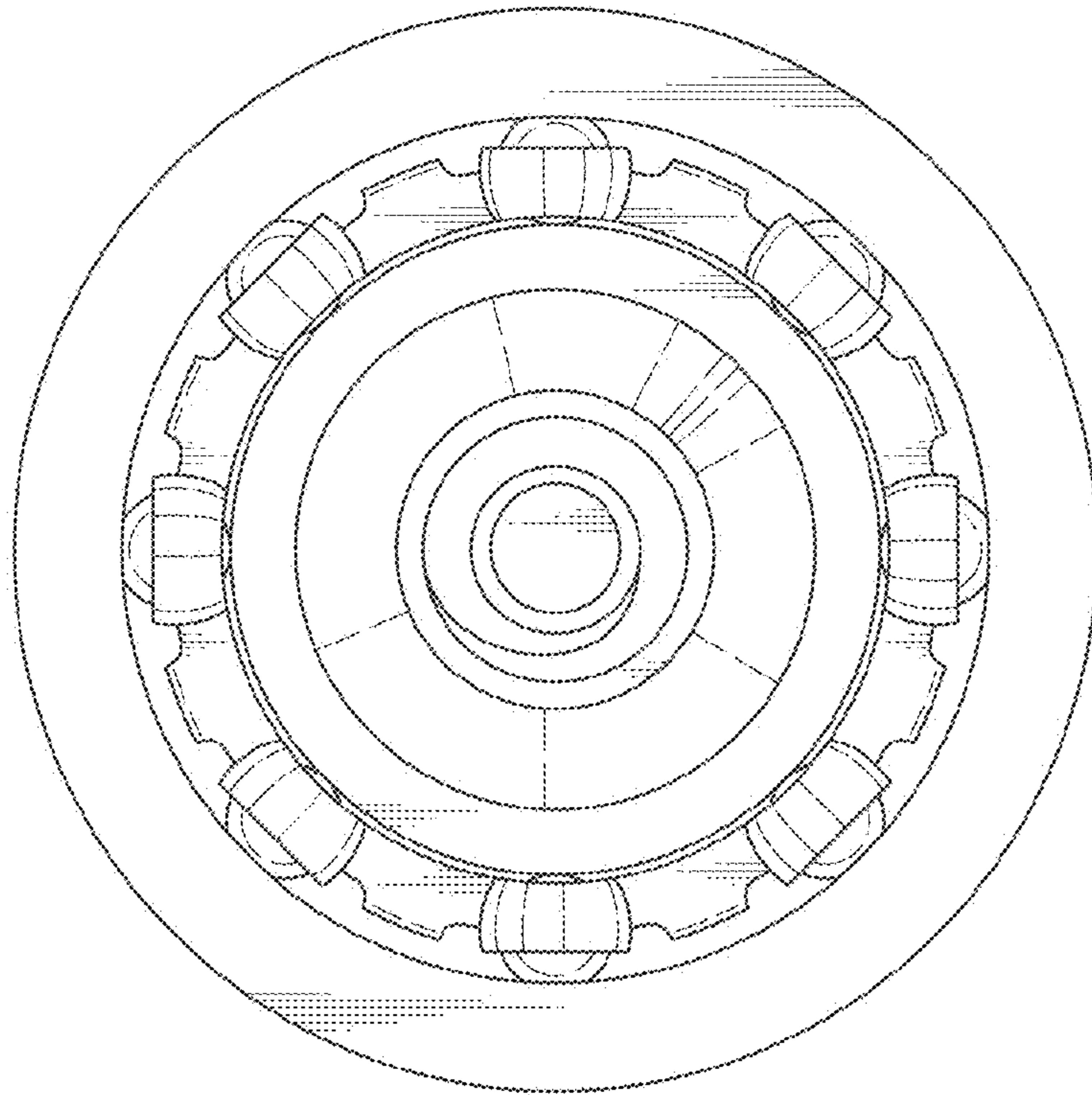


FIG. 5

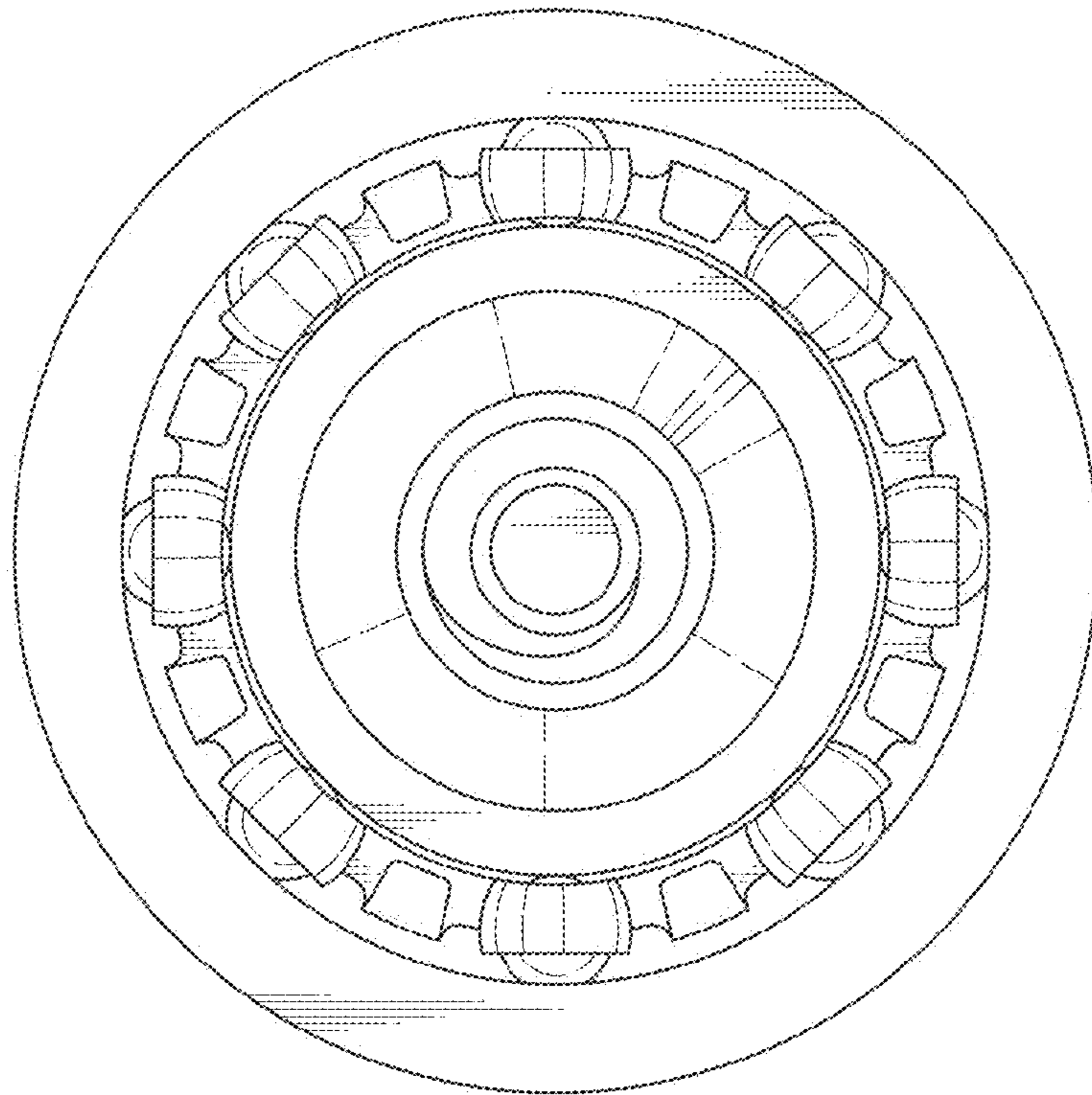


FIG. 4

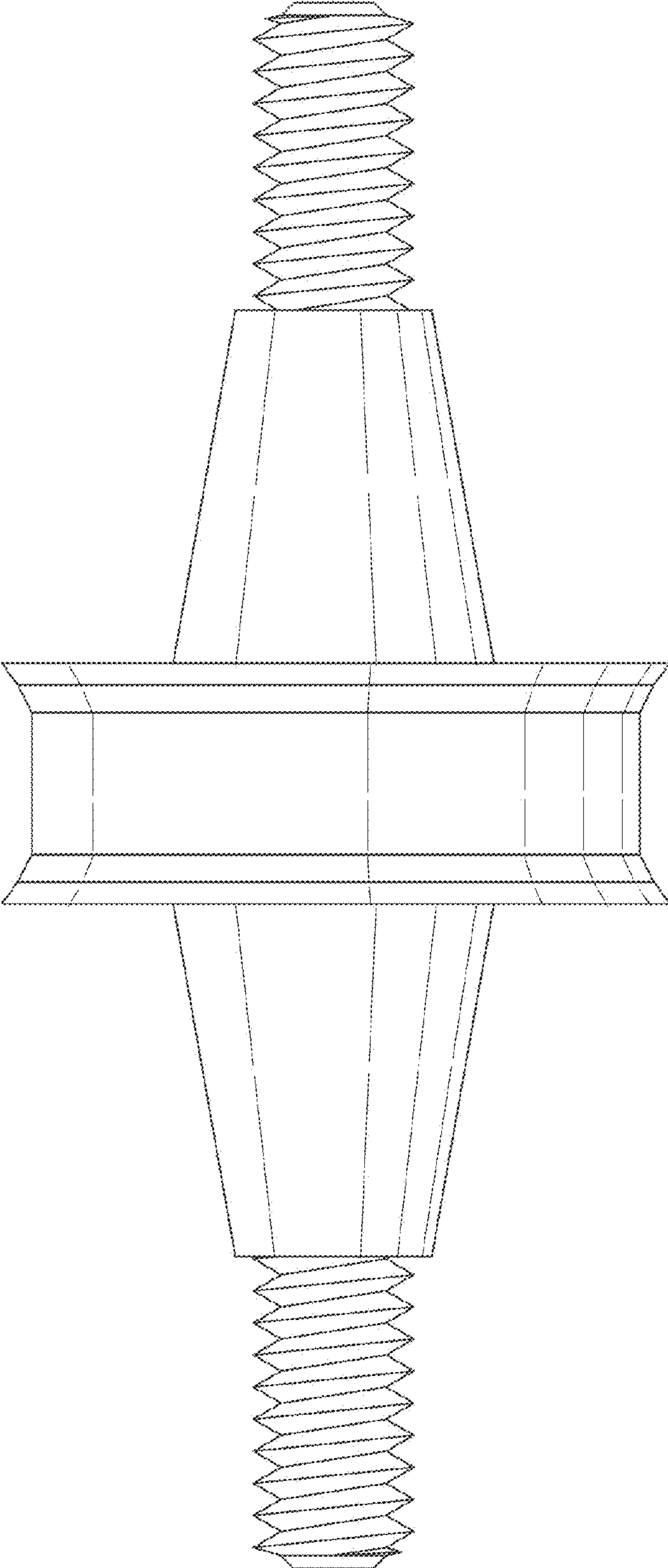


FIG. 6

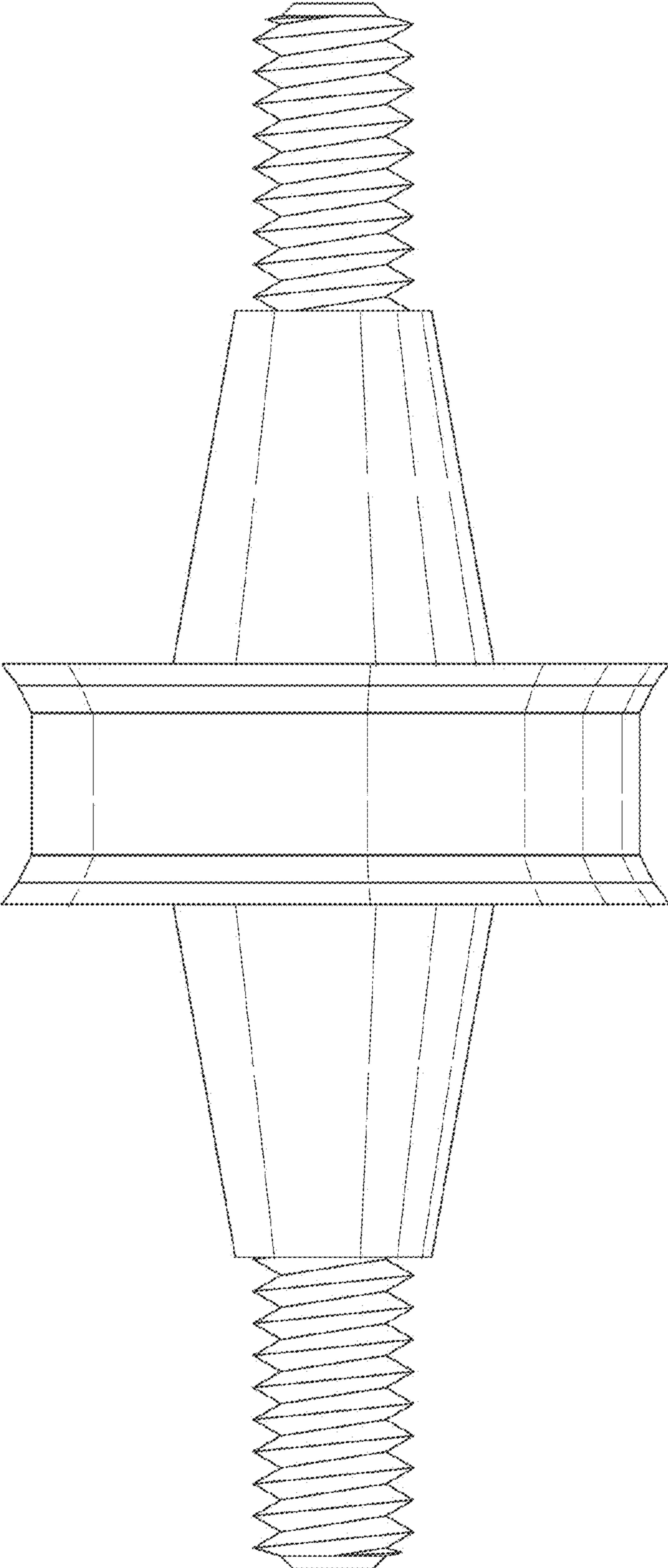


FIG. 7

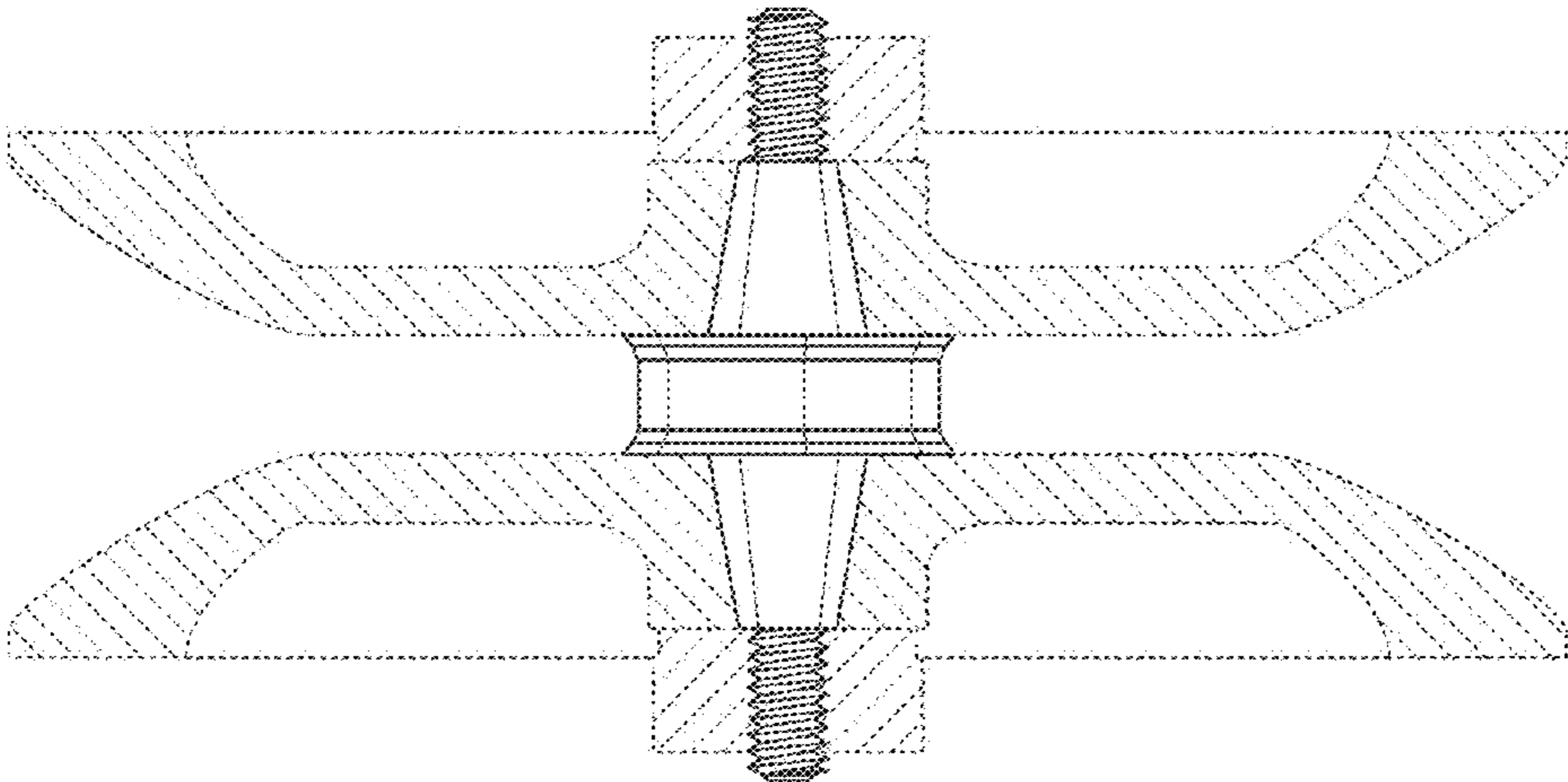


FIG. 8

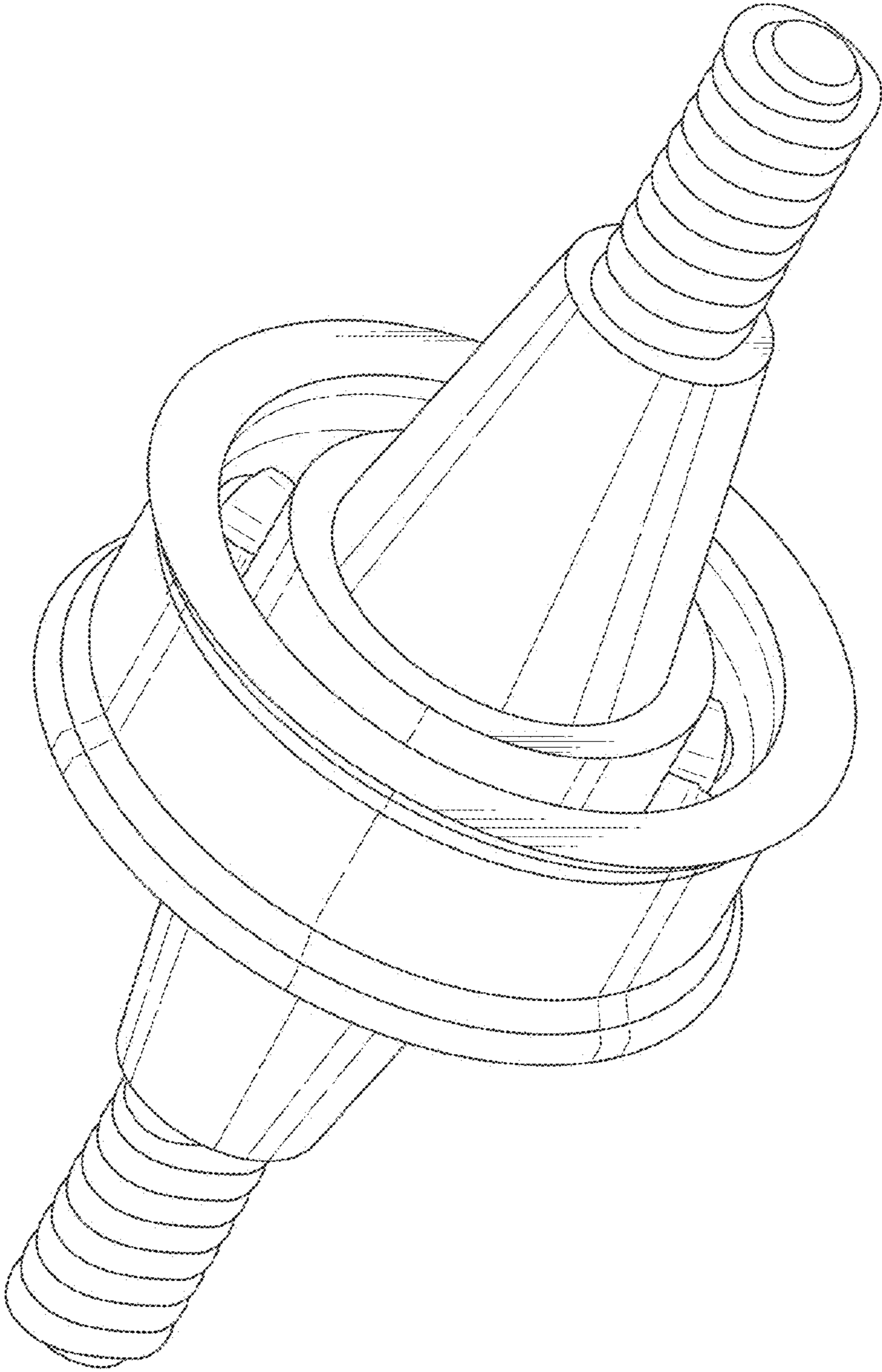


FIG. 9

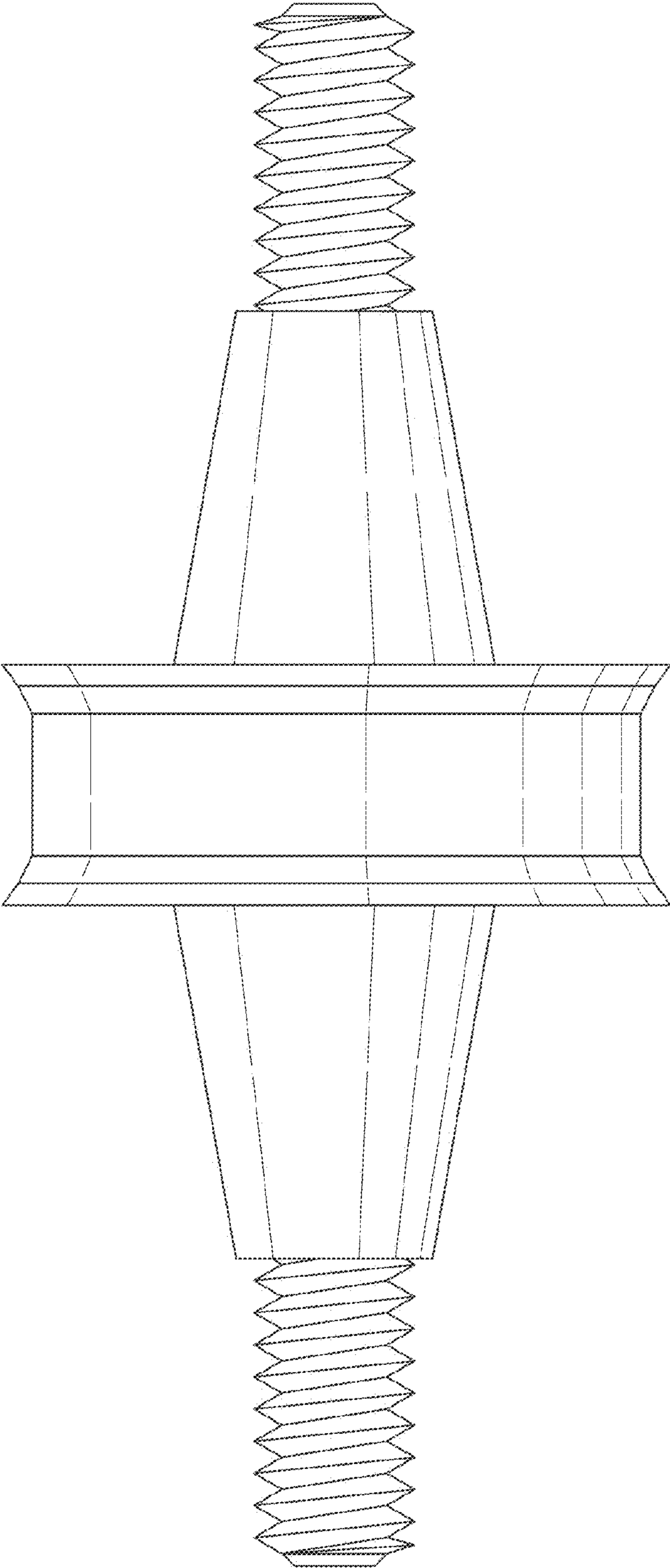


FIG. 10

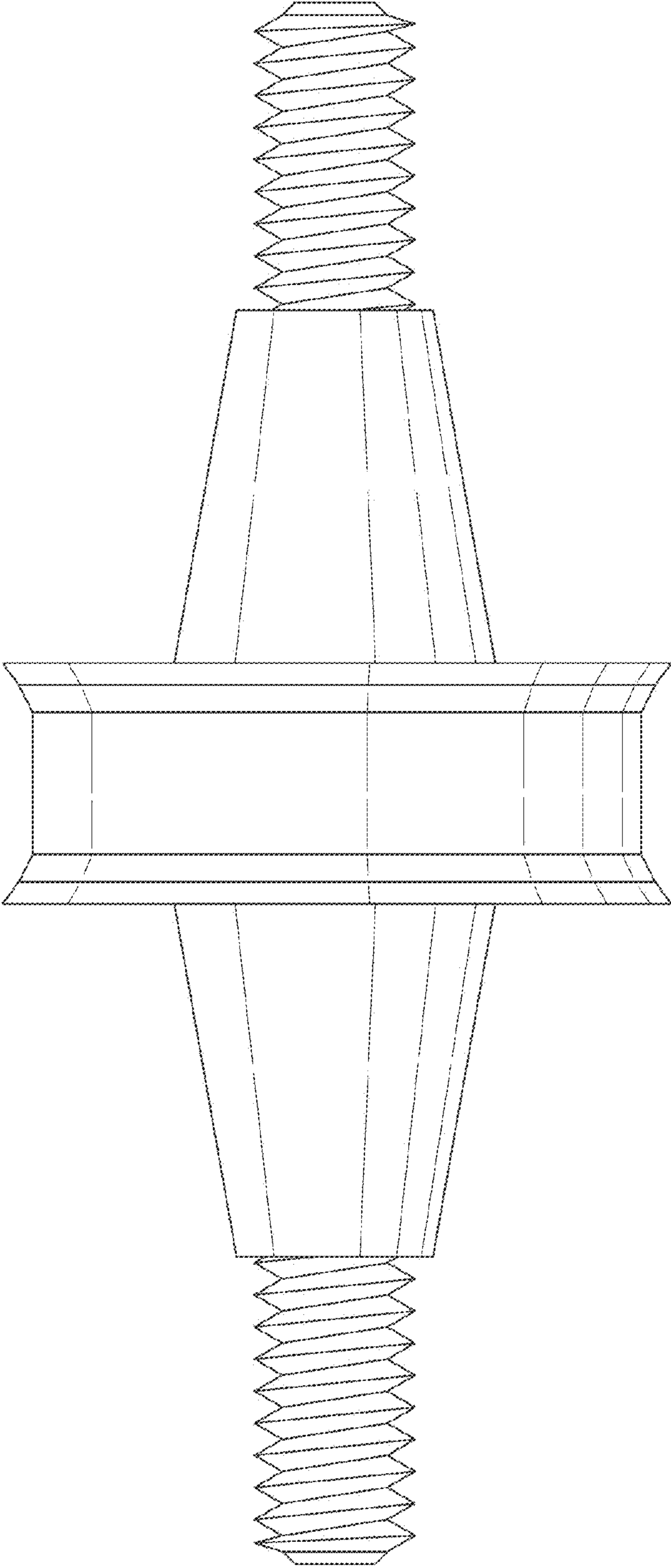


FIG. 11

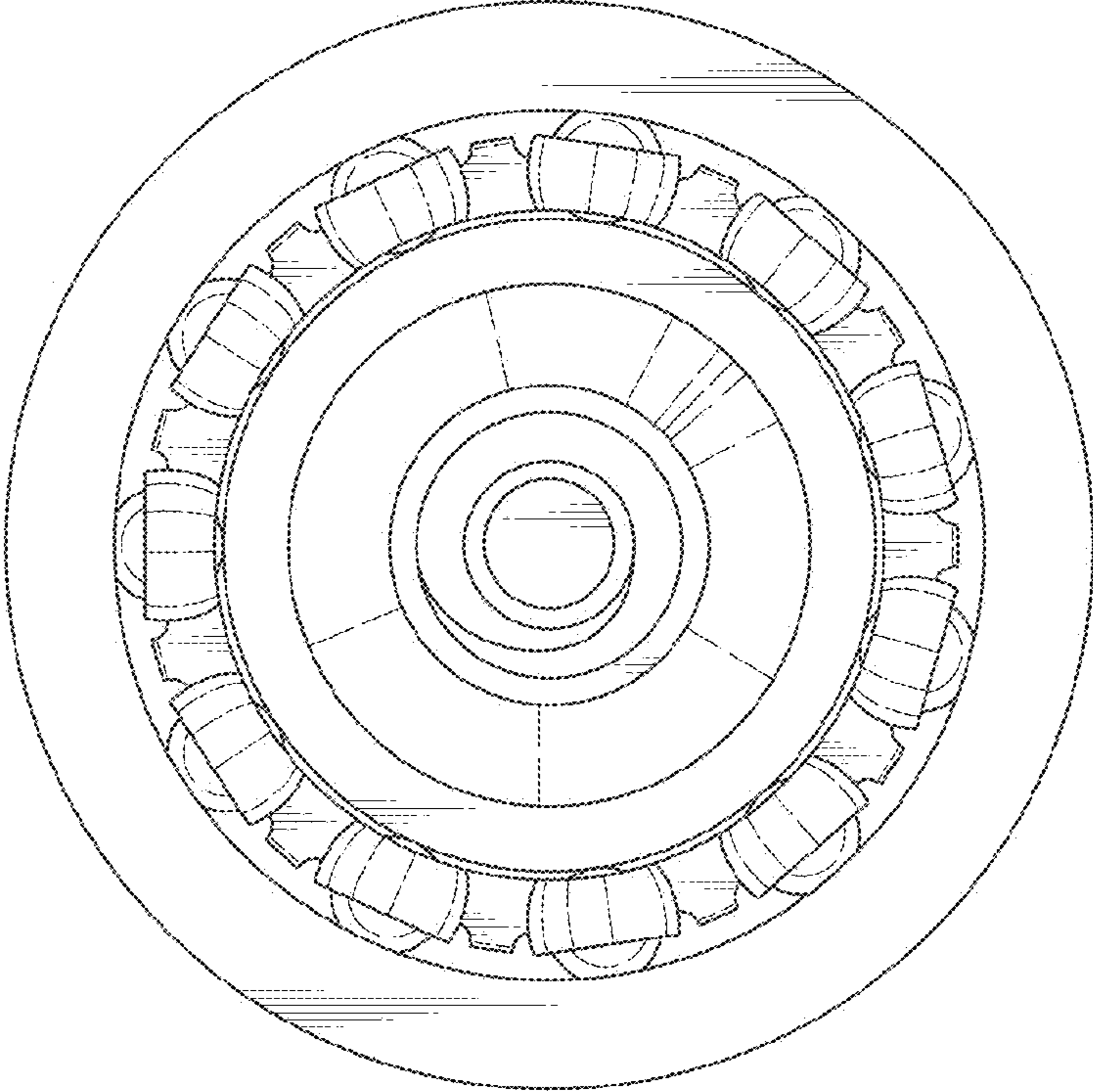


FIG. 13

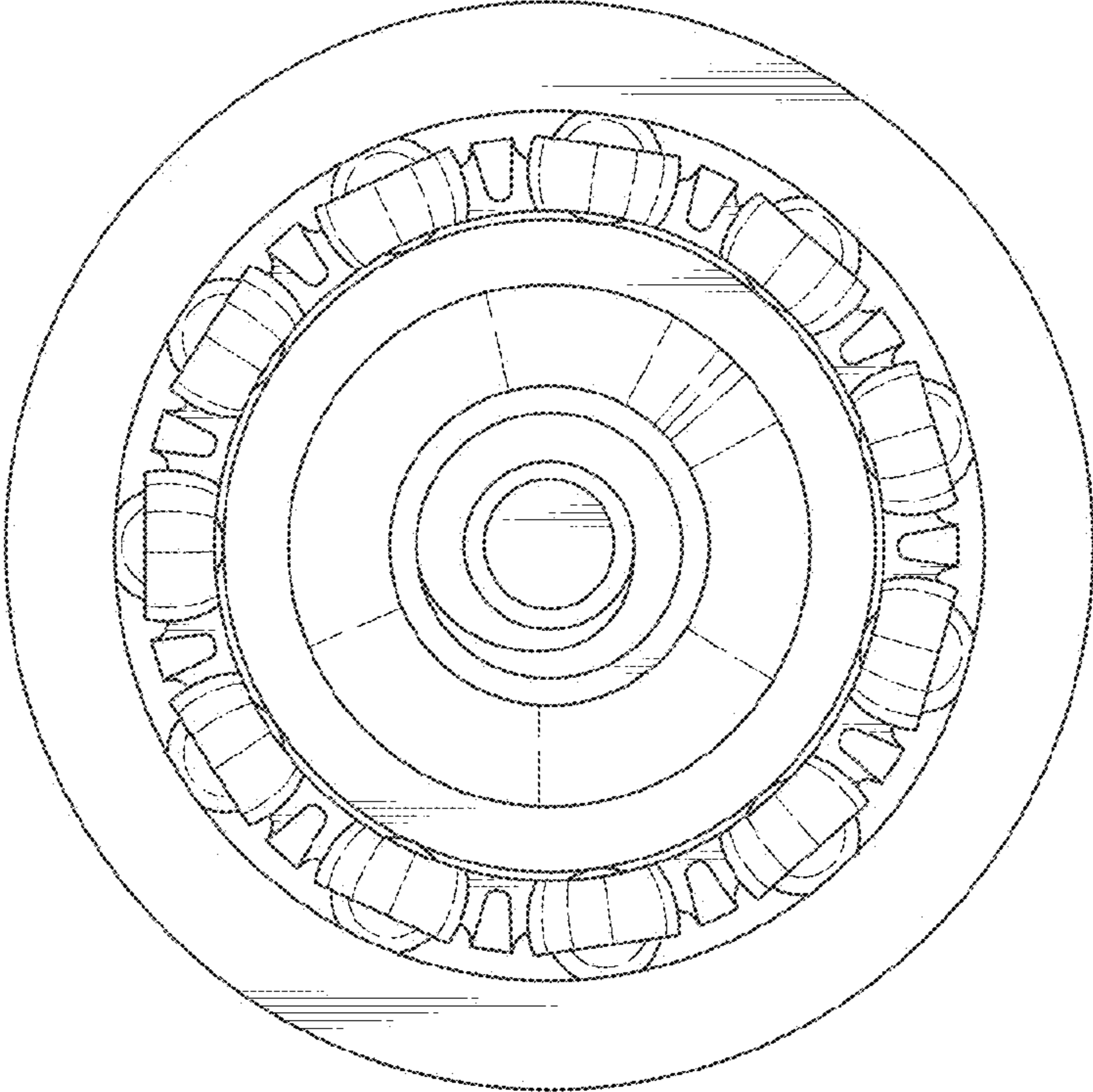


FIG. 12

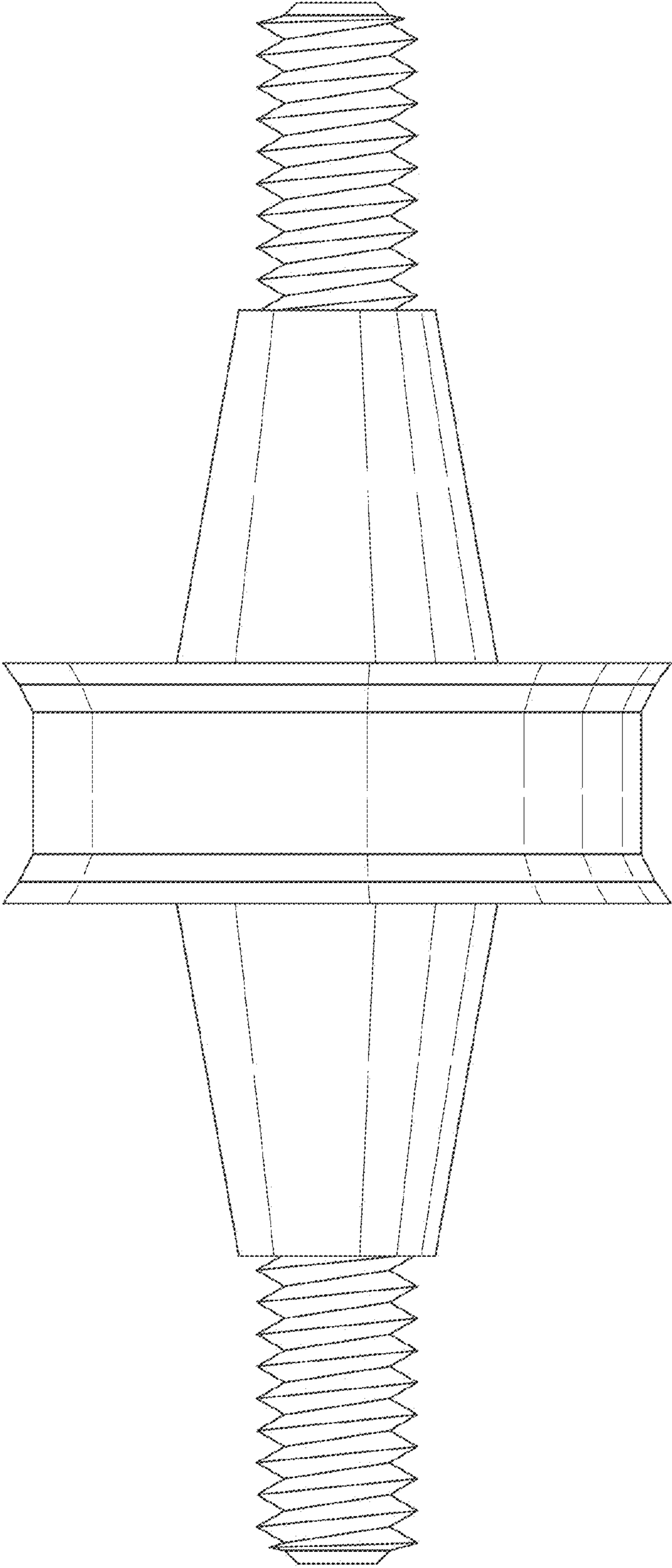


FIG. 14

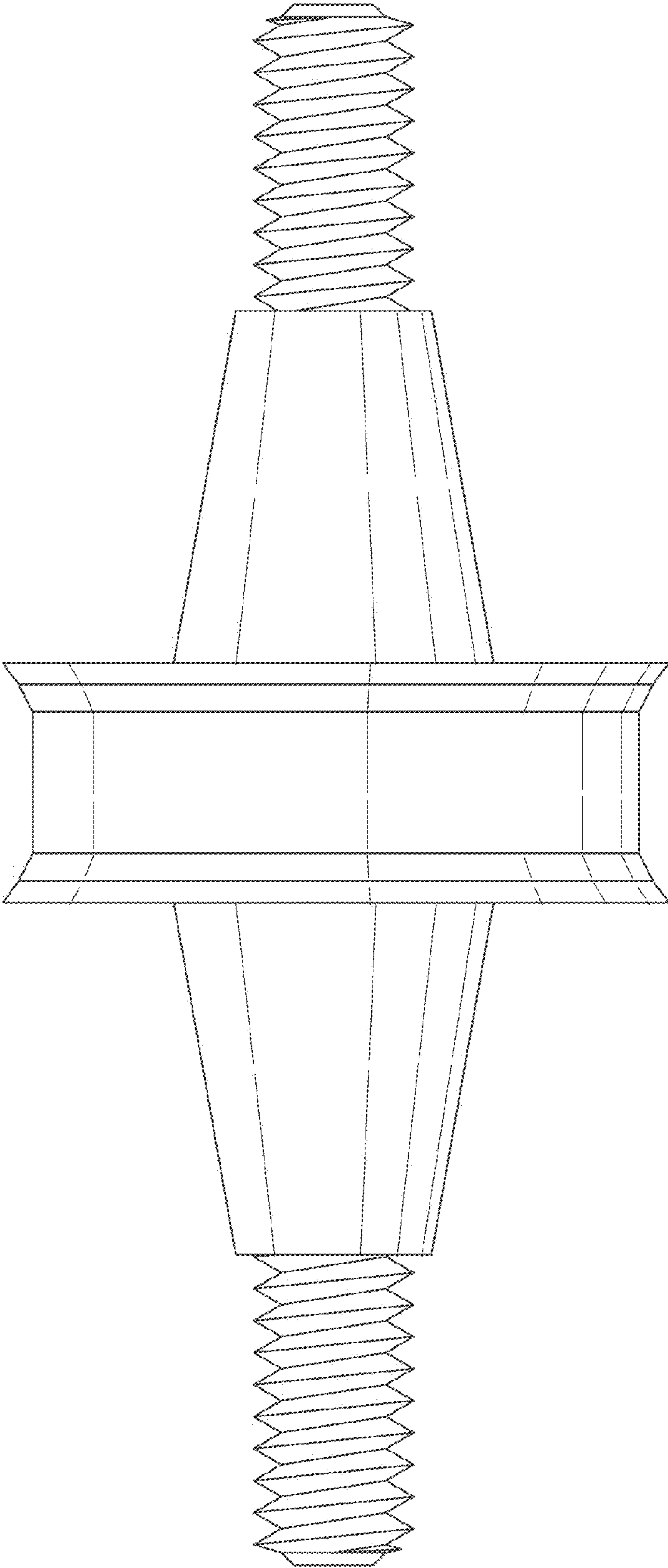


FIG. 15

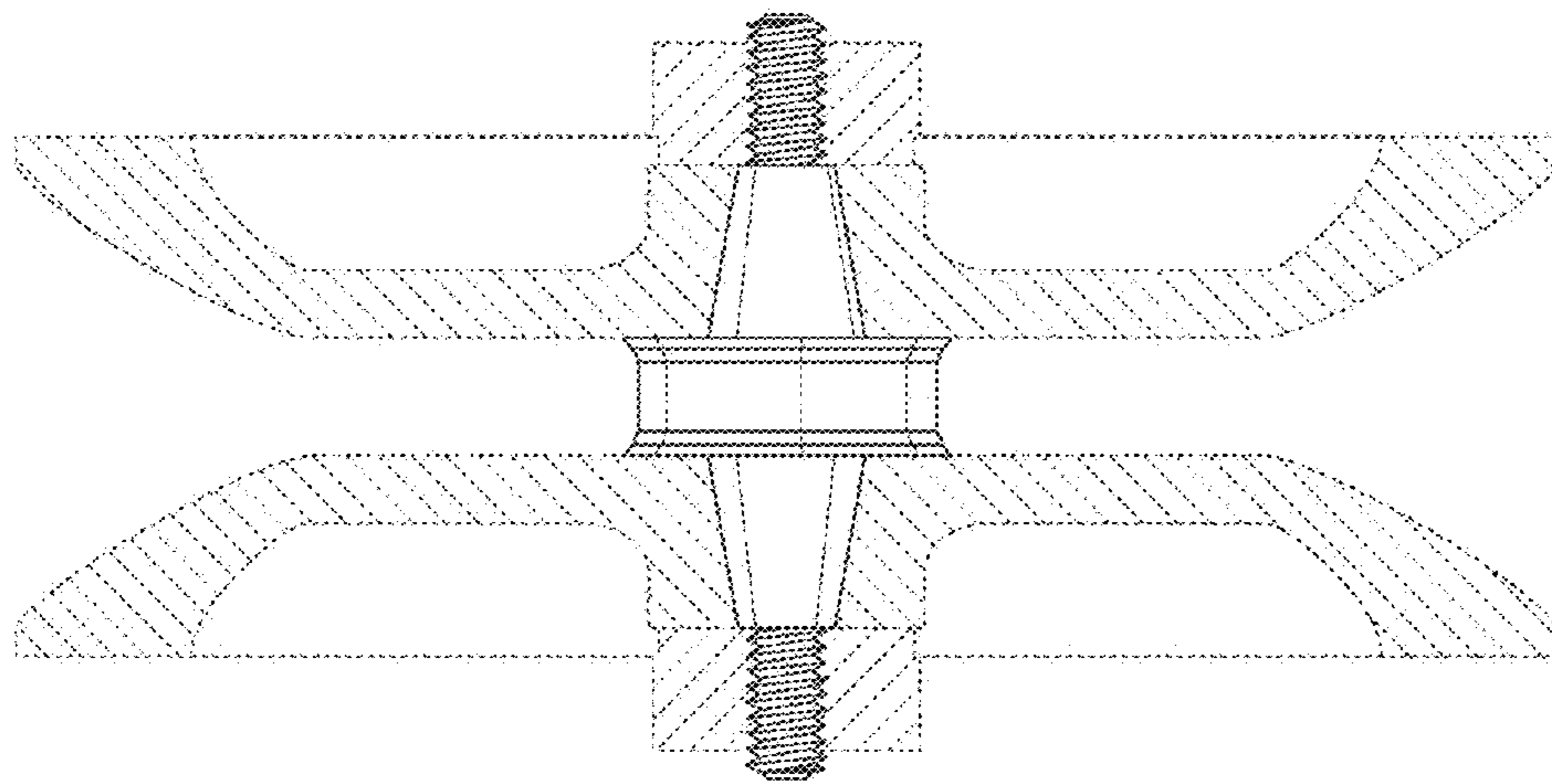


FIG. 16