



US00D748738S

(12) **United States Design Patent**
Hadley et al.

(10) **Patent No.:** **US D748,738 S**

(45) **Date of Patent:** **** Feb. 2, 2016**

(54) **ELECTRIC SCOOTER**

(56) **References Cited**

(71) Applicant: **RAZOR USA LLC**, Cerritos, CA (US)

U.S. PATENT DOCUMENTS

(72) Inventors: **Robert Hadley**, Yorba Linda, CA (US);
Robert Chen, San Marino, CA (US)

| | | | | |
|-----------|-----|---------|--------------------|---------|
| 4,094,372 | A | 6/1978 | Notter | |
| 5,662,187 | A | 9/1997 | McGovern | |
| 6,139,035 | A | 10/2000 | Tsai | |
| 6,273,205 | B1 | 8/2001 | Tsai | |
| 6,298,952 | B1 | 10/2001 | Tsai | |
| D456,460 | S | 4/2002 | Tseng | |
| 6,394,213 | B1 | 5/2002 | Tsai | |
| D459,761 | S * | 7/2002 | Chen | D21/423 |
| 6,462,493 | B2 | 10/2002 | Lan | |
| D471,597 | S * | 3/2003 | Chen | D21/423 |
| D471,598 | S * | 3/2003 | Chen | D21/423 |
| 6,619,416 | B2 | 9/2003 | Lan | |
| D486,532 | S * | 2/2004 | Christianson | D21/423 |

(73) Assignee: **RAZOR USA LLC**, Cerritos, CA (US)

(**) Term: **15 Years**

(21) Appl. No.: **29/527,262**

(22) Filed: **May 18, 2015**

(Continued)

Related U.S. Application Data

FOREIGN PATENT DOCUMENTS

(63) Continuation of application No. 29/500,274, filed on Aug. 22, 2014, now abandoned, which is a continuation of application No. 29/472,328, filed on Nov. 11, 2013, now abandoned, which is a continuation of application No. 29/415,919, filed on Mar. 15, 2012, now Pat. No. Des. 693,414.

CH 598051 4/1978

(51) **LOC (10) Cl.** **21-01**

Primary Examiner — Cynthia M Chin

(52) **U.S. Cl.**

(74) *Attorney, Agent, or Firm* — Knobbe Martens Olson and Bear LLP

USPC **D21/423**

(58) **Field of Classification Search**

(57) **CLAIM**

The ornamental design for an electric scooter, as shown and described.

USPC D21/419, 421, 423, 426–428, 435, D21/668–671, 760, 765, 771; D12/1, 8, D12/108, 112, 113; 280/8, 14.21, 14.25, 280/14.26, 87.041, 87.042, 200, 214, 220, 280/221, 239, 263, 288.1, 288.2, 288.4, 280/809; 180/180, 181, 227, 228

DESCRIPTION

CPC B62K 3/002; B62K 9/00; B62K 9/02; B62K 13/00; B62K 2202/00

FIG. 1 is a perspective view showing top, left and rear sides of an electric scooter.

FIG. 2 is a right side view of the electric scooter of FIG. 1.

FIG. 3 is a left side view of the electric scooter of FIG. 1.

FIG. 4 is a front view of the electric scooter of FIG. 1.

FIG. 5 is a rear view of the electric scooter of FIG. 1.

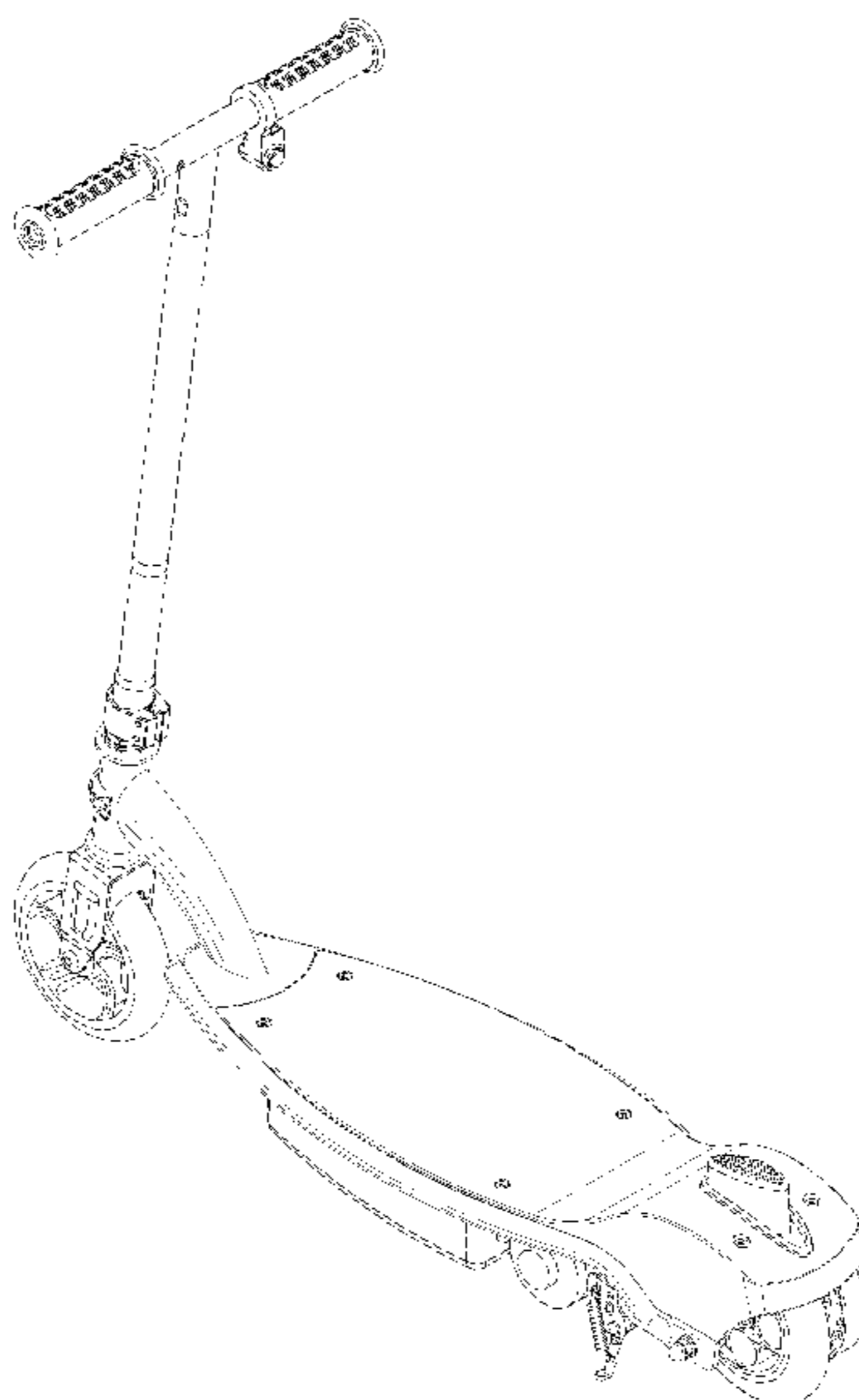
FIG. 6 is a top view of the electric scooter of FIG. 1; and,

FIG. 7 is a bottom view of the electric scooter of FIG. 1.

Where utilized, the broken lines show portions of the electric scooter that form no part of the claimed design.

See application file for complete search history.

1 Claim, 5 Drawing Sheets



(56)

References Cited

U.S. PATENT DOCUMENTS

6,739,421 B1 5/2004 Miya
D492,367 S 6/2004 Dennis
D497,397 S 10/2004 Sramek
6,832,660 B2 12/2004 Dodd
D516,132 S 2/2006 Sramek
D569,447 S 5/2008 Thomas
D603,463 S 11/2009 Jessie, Jr.

D656,560 S 3/2012 Patterson et al.
D672,400 S 12/2012 Pizzi
D698,868 S * 2/2014 Chan D21/423
D714,396 S * 9/2014 Talios D21/423
D715,870 S * 10/2014 Talios D21/423
2002/0105157 A1 * 8/2002 Chen B62K 3/002
280/87.041
2003/0221888 A1 12/2003 McKinney, Jr. et al.
2007/0045976 A1 * 3/2007 Wu B60T 1/04
280/87.041

* cited by examiner

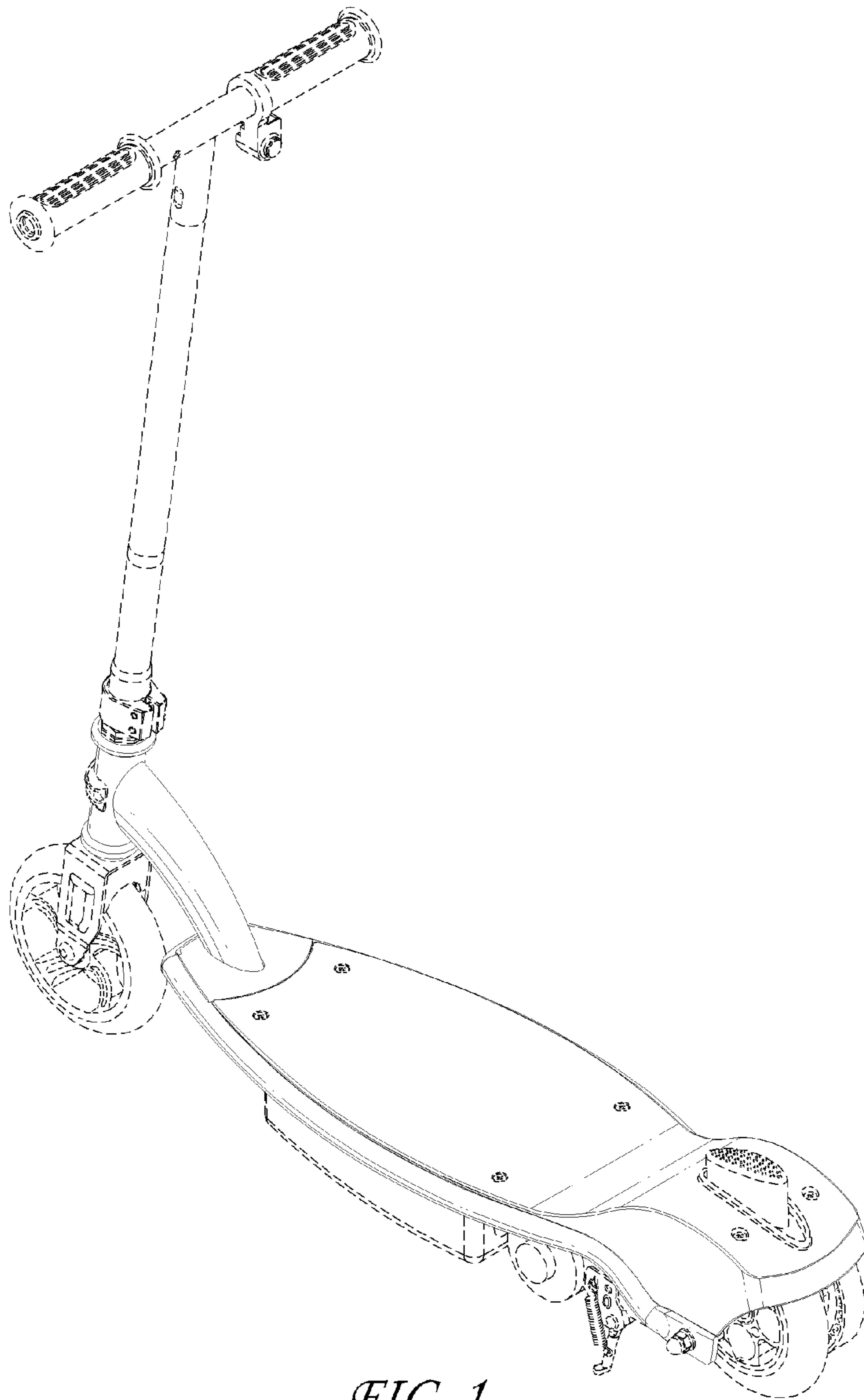


FIG. 1

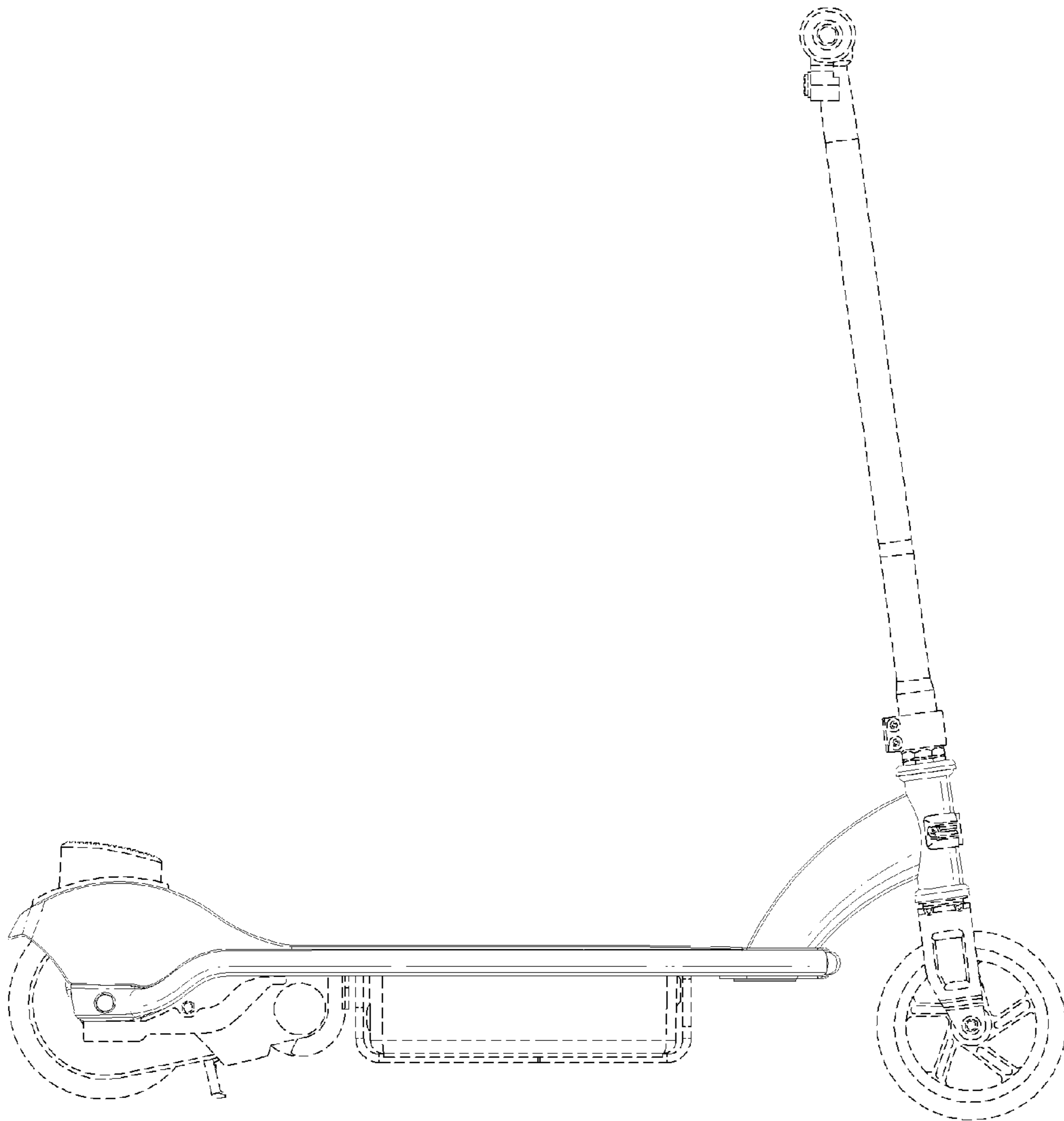


FIG. 2

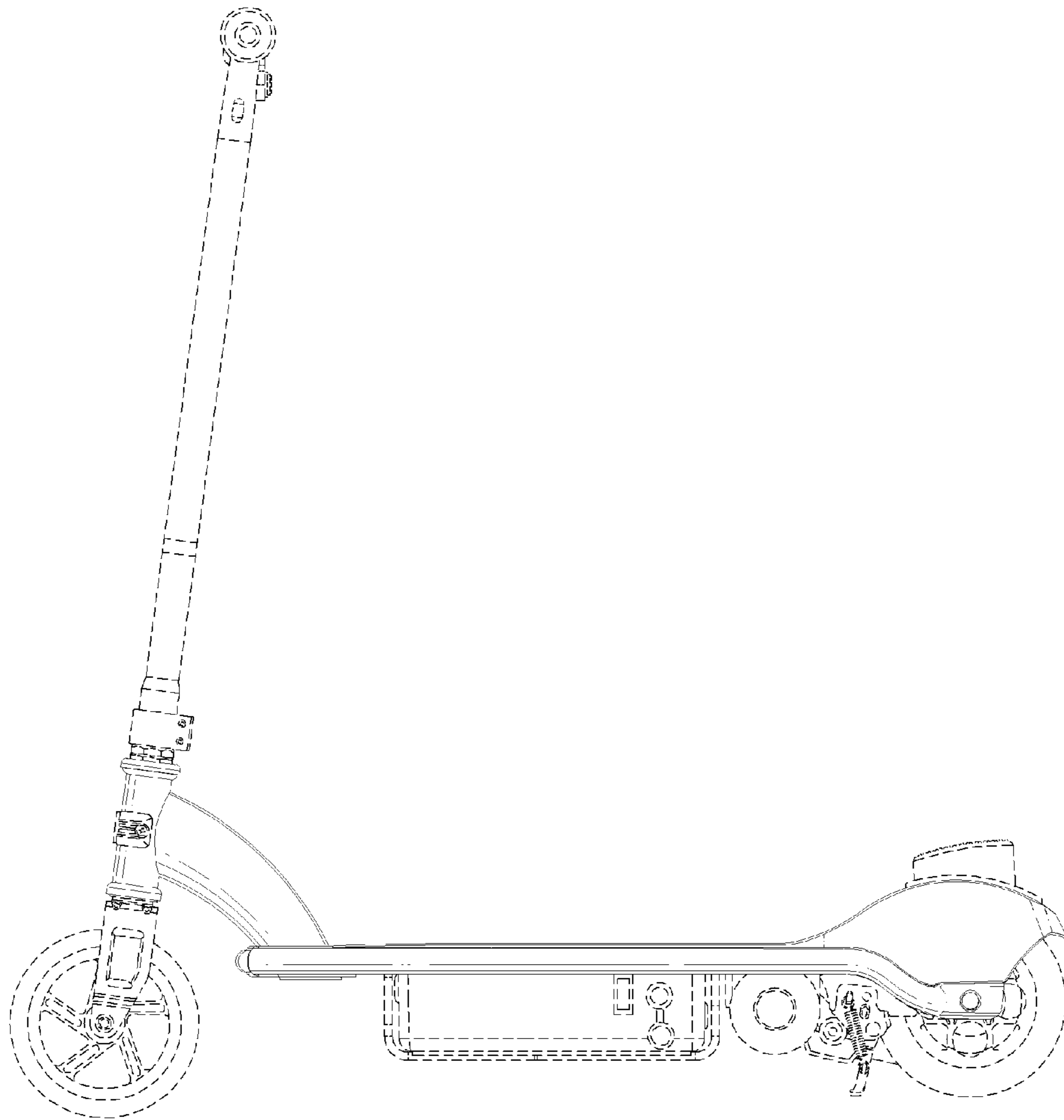


FIG. 3

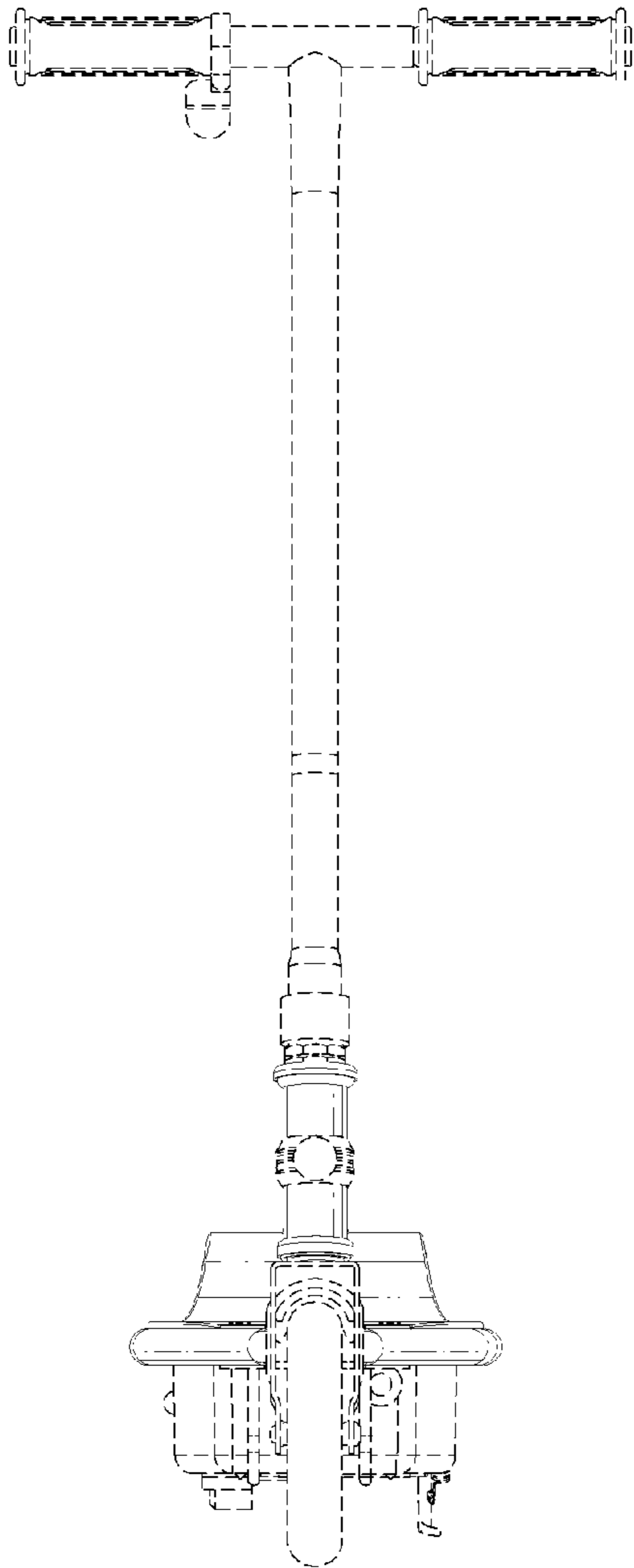


FIG. 4

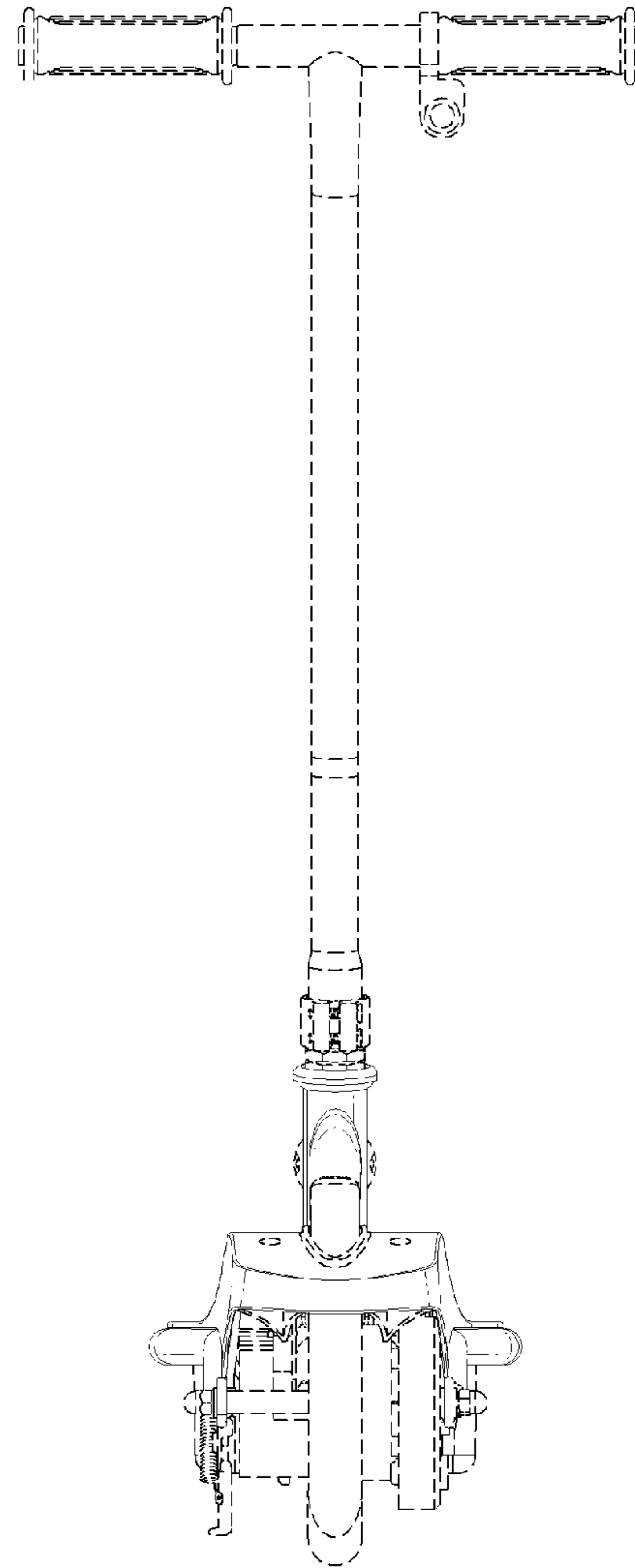


FIG. 5

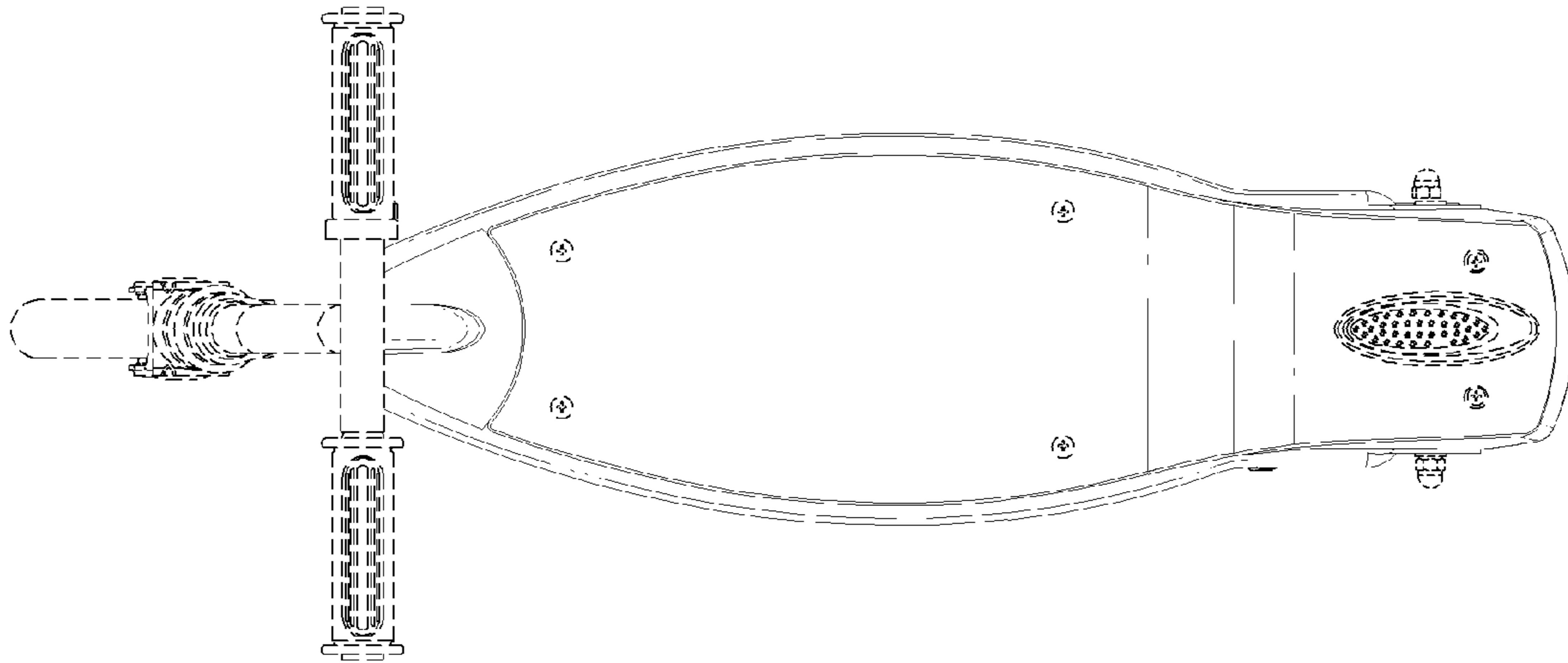


FIG. 6

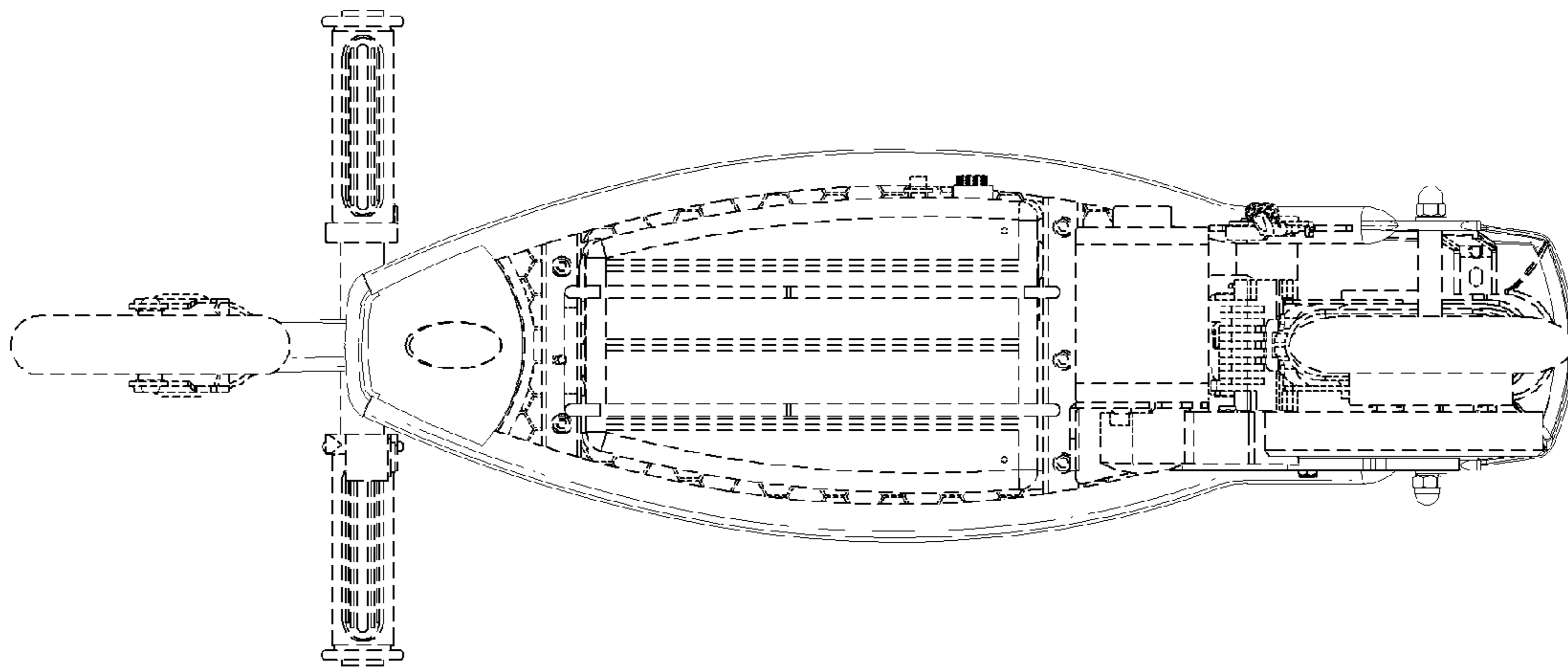


FIG. 7