



US00D748734S

(12) **United States Design Patent**  
**Burgess et al.**

(10) **Patent No.:** **US D748,734 S**

(45) **Date of Patent:** **\*\* Feb. 2, 2016**

(54) **CONTROLLER HATCH COVER**

*Primary Examiner* — Prabhakar Deshmukh

(74) *Attorney, Agent, or Firm* — Parks Wood LLC

(71) Applicant: **Ironburg Inventions Ltd**, Wincanton,  
Somerset (GB)

(72) Inventors: **Simon Burgess**, Leicester (GB);  
**Duncan Ironmonger**, Atlanta, GA (US)

(57) **CLAIM**

The ornamental design for a controller hatch cover, as shown and described.

(73) Assignee: **Chatham Capital Management IV, LLC**, Atlanta, GA (US)

(\*\*) Term: **14 Years**

**DESCRIPTION**

(21) Appl. No.: **29/480,547**

(22) Filed: **Jan. 27, 2014**

(51) **LOC (10) Cl.** ..... **21-01**

(52) **U.S. Cl.**  
USPC ..... **D21/333**

(58) **Field of Classification Search**  
USPC ..... D14/399–401, 412–416; D21/324, 333;  
273/148 B; 463/1, 29–39, 46, 47;  
345/156–161, 905  
CPC ..... A63F 13/02; A63F 13/00; A63F 11/00;  
A63F 3/00; A63F 9/00; G06F 17/00; G06F  
19/00; G06F 17/32; G06F 3/00  
See application file for complete search history.

FIG. 1 is an exploded perspective view of a controller hatch cover showing the new design;  
FIG. 2 is a perspective view thereof;  
FIG. 3 is a top plan view, thereof;  
FIG. 4 is a front elevational view, thereof;  
FIG. 5 is a left side elevational view, thereof;  
FIG. 6 is a right side elevational view, thereof;  
FIG. 7 is a bottom plan view, thereof;  
FIG. 8 is a rear elevational view, thereof;  
FIG. 9 is a perspective view, thereof, the paddles being removed;  
FIG. 10 is a top plan view of FIG. 9;  
FIG. 11 is a front elevational view of FIG. 9;  
FIG. 12 is a left side elevational view of FIG. 9;  
FIG. 13 is a right side elevational view FIG. 9;  
FIG. 14 is a bottom plan view of FIG. 9;  
FIG. 15 is a rear elevational view of FIG. 9;  
FIG. 16 is a perspective view thereof, shown in an environmental use;  
FIG. 17 is a top plan view of FIG. 16;  
FIG. 18 is a rear elevational view of FIG. 16;  
FIG. 19 is a front elevational view of FIG. 16;  
FIG. 20 is a perspective view thereof, with paddles removed and shown in an environmental use;  
FIG. 21 is a top plan view of FIG. 20;  
FIG. 22 is a back view of FIG. 20; and,  
FIG. 23 is a front view of FIG. 20.  
In the figures, the broken lines indicate unclaimed portions and environment and form no part of the claimed design.

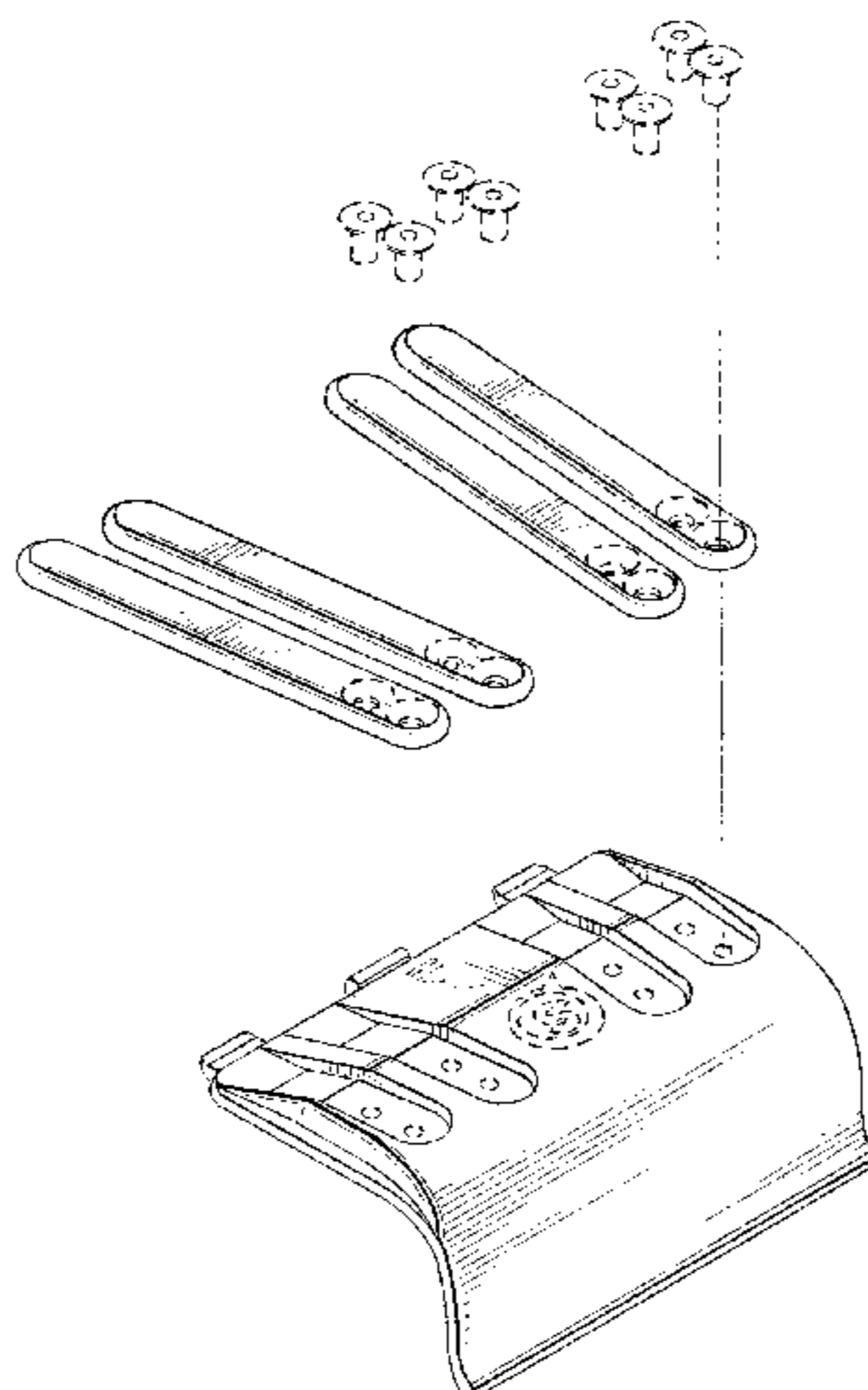
(56) **References Cited**

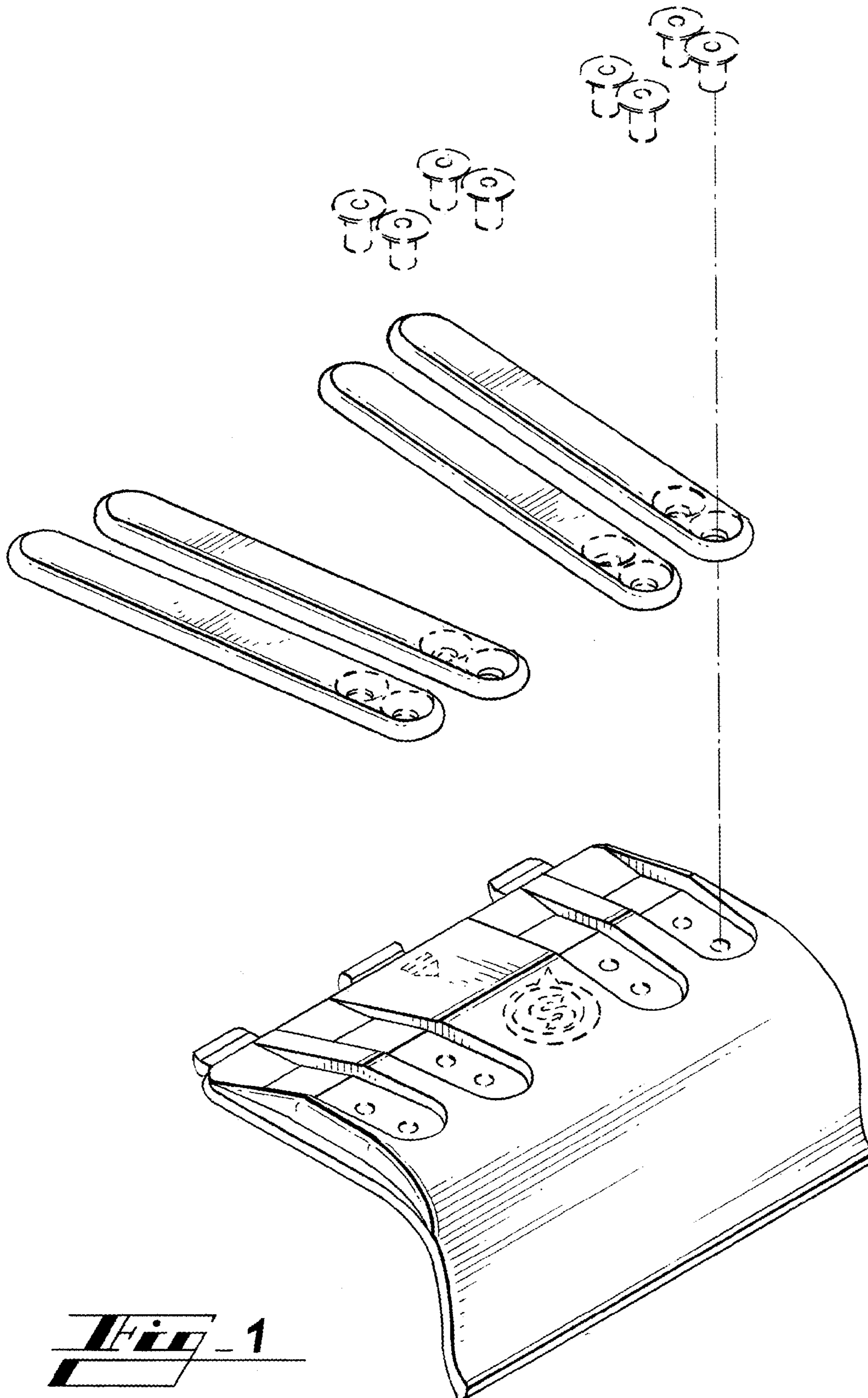
U.S. PATENT DOCUMENTS

6,342,009	B1 *	1/2002	Soma	463/38
D464,996	S *	10/2002	Hussaini et al.	D21/333
D467,621	S *	12/2002	Ku	D21/333
6,572,108	B1 *	6/2003	Bristow	273/148 B
6,743,100	B1 *	6/2004	Neiser	463/37
6,923,443	B1 *	8/2005	Hughes, IV	273/148 B
D631,476	S *	1/2011	Piedra et al.	D14/401
D638,017	S *	5/2011	Ortiz	D14/401
D669,078	S *	10/2012	Lovoi et al.	D14/401
8,641,525	B2 *	2/2014	Burgess et al.	463/37
D712,484	S *	9/2014	Sumii et al.	D21/333
D712,973	S *	9/2014	Sumii et al.	D21/333
2008/0122173	A1 *	5/2008	Harris	273/148 B

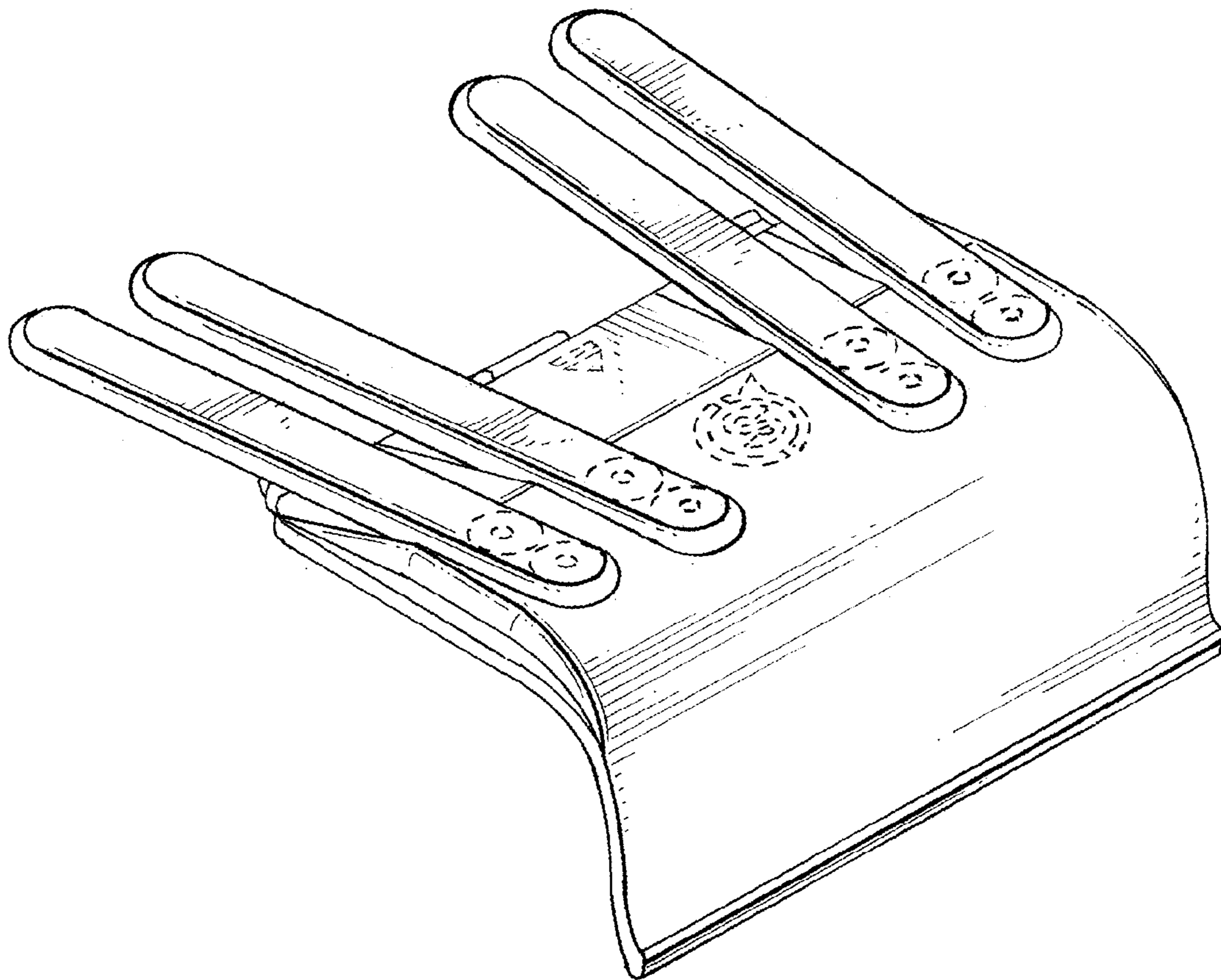
\* cited by examiner

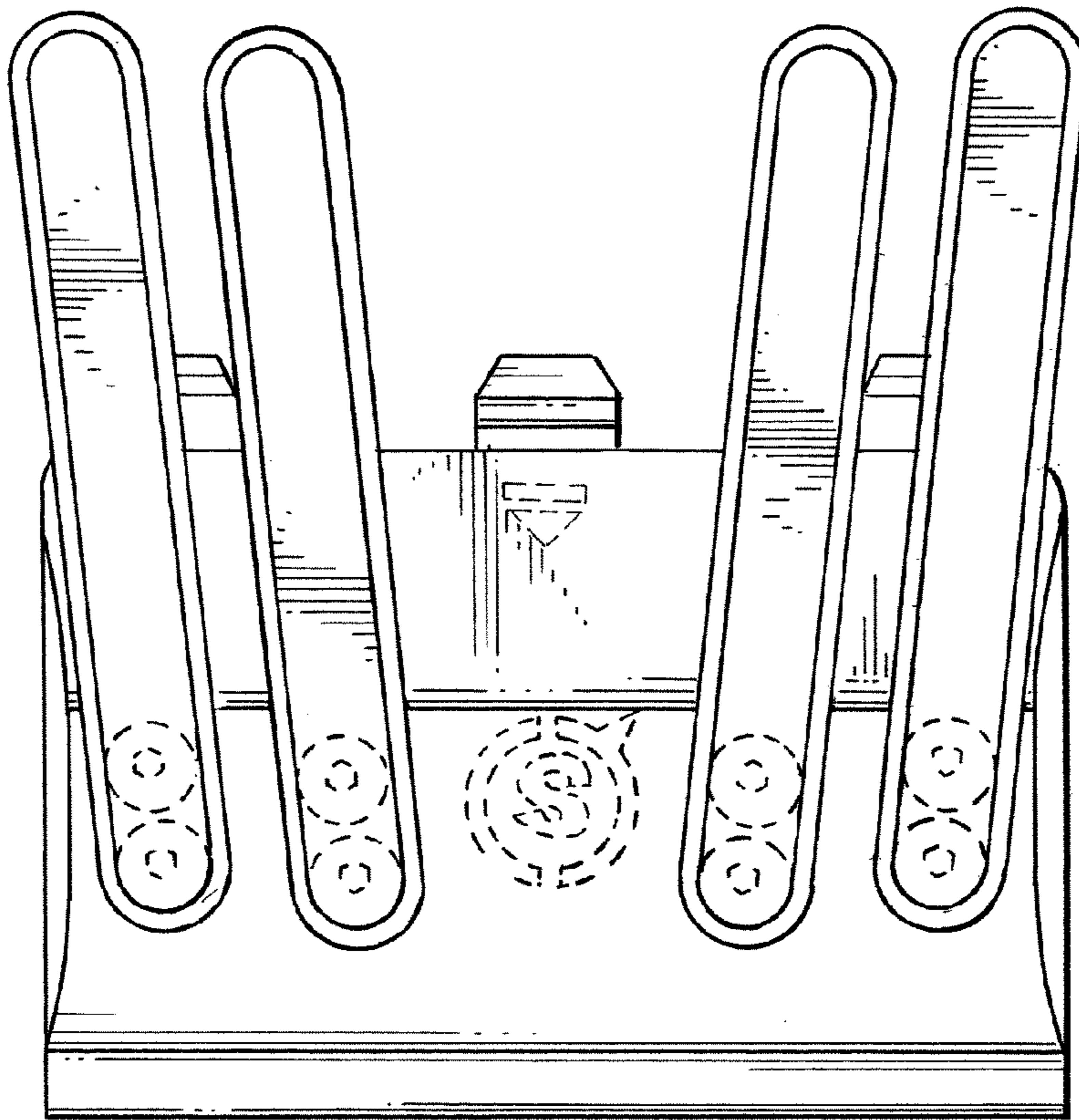
**1 Claim, 15 Drawing Sheets**



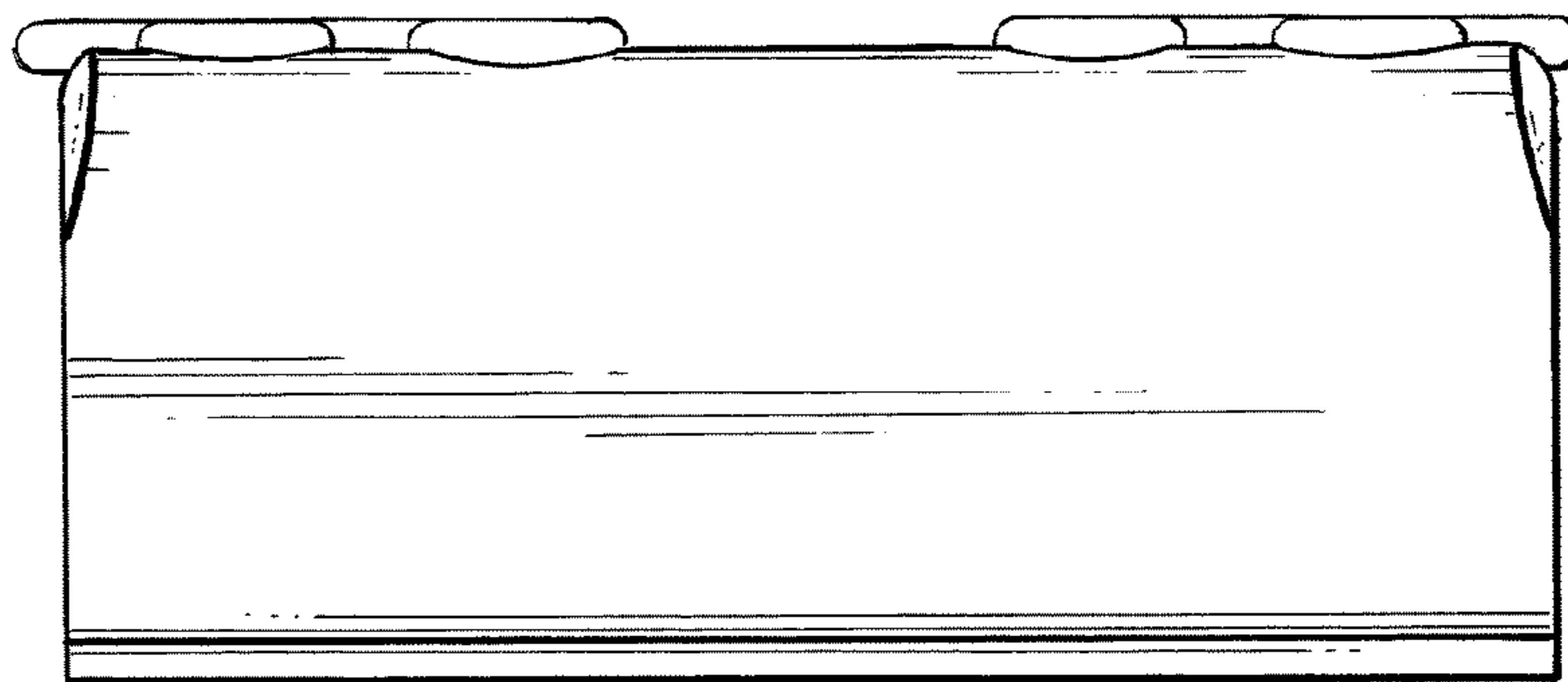


**Fig. 1**

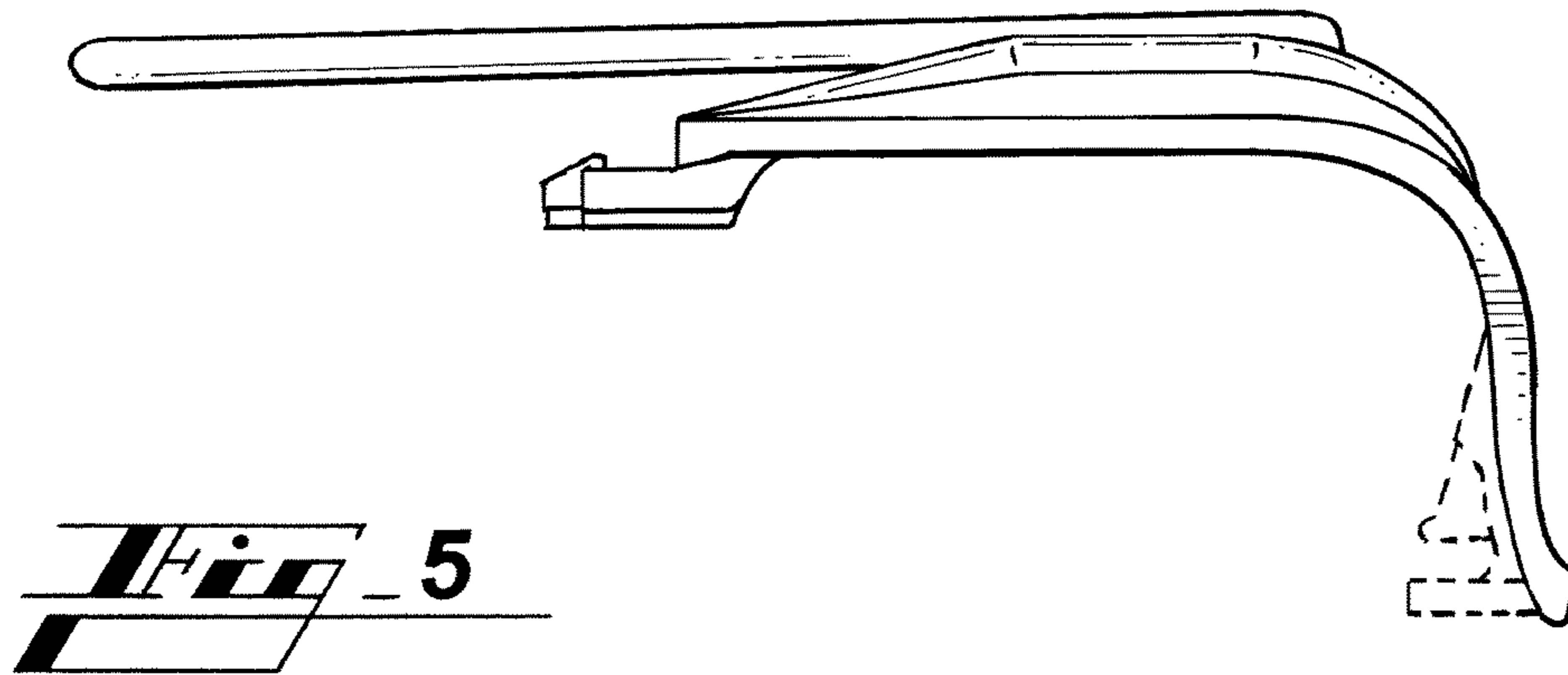




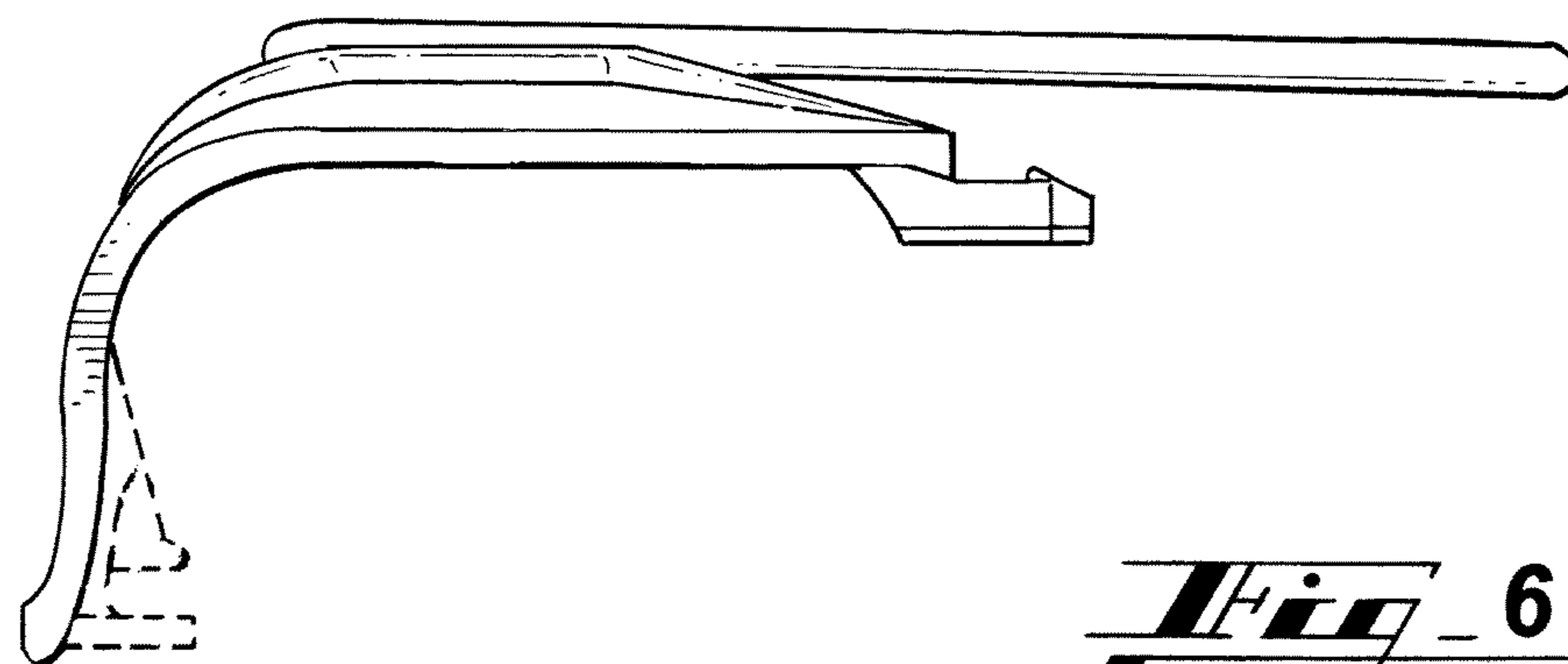
**Fig. 3**



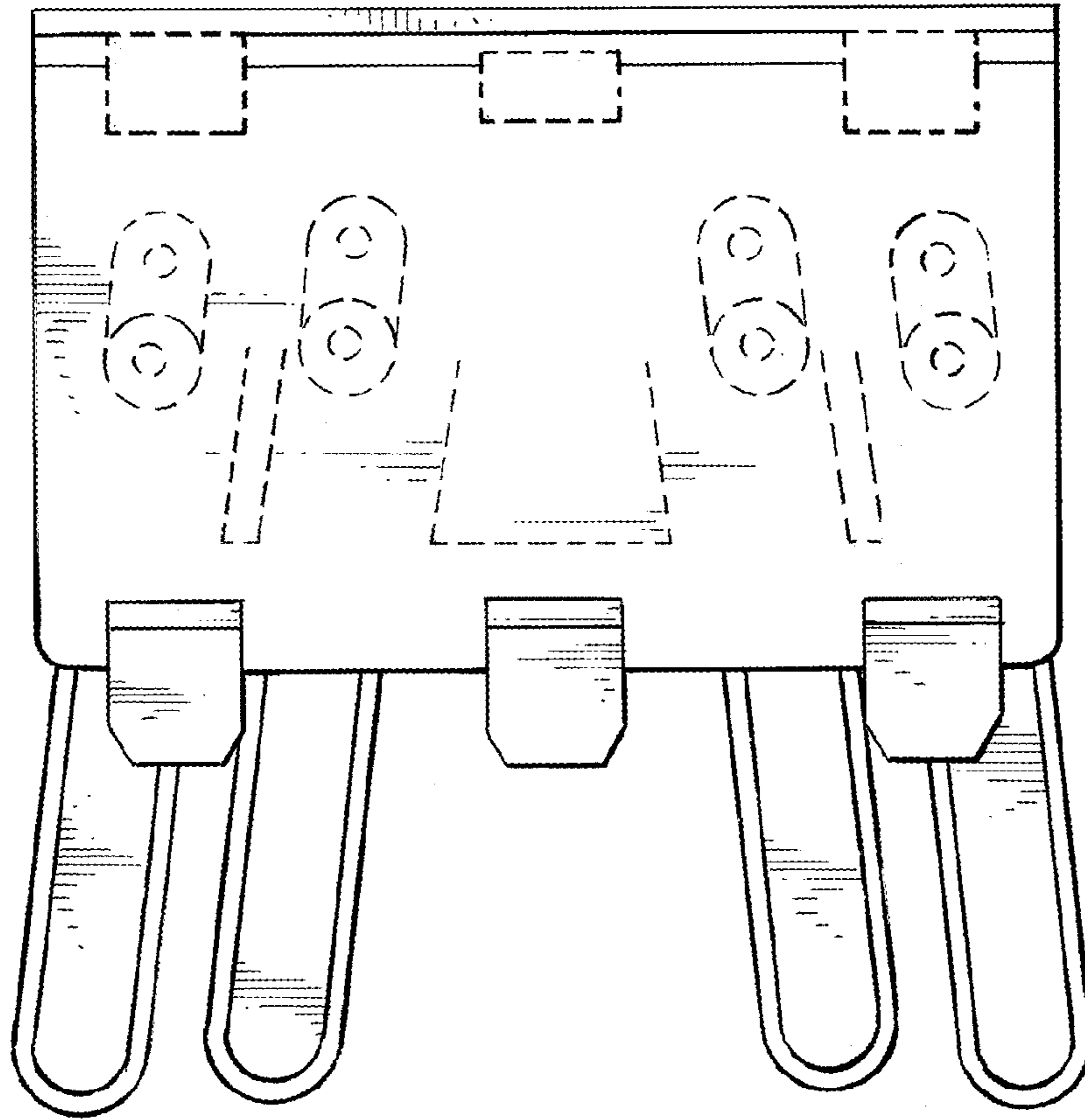
**Fig. 4**



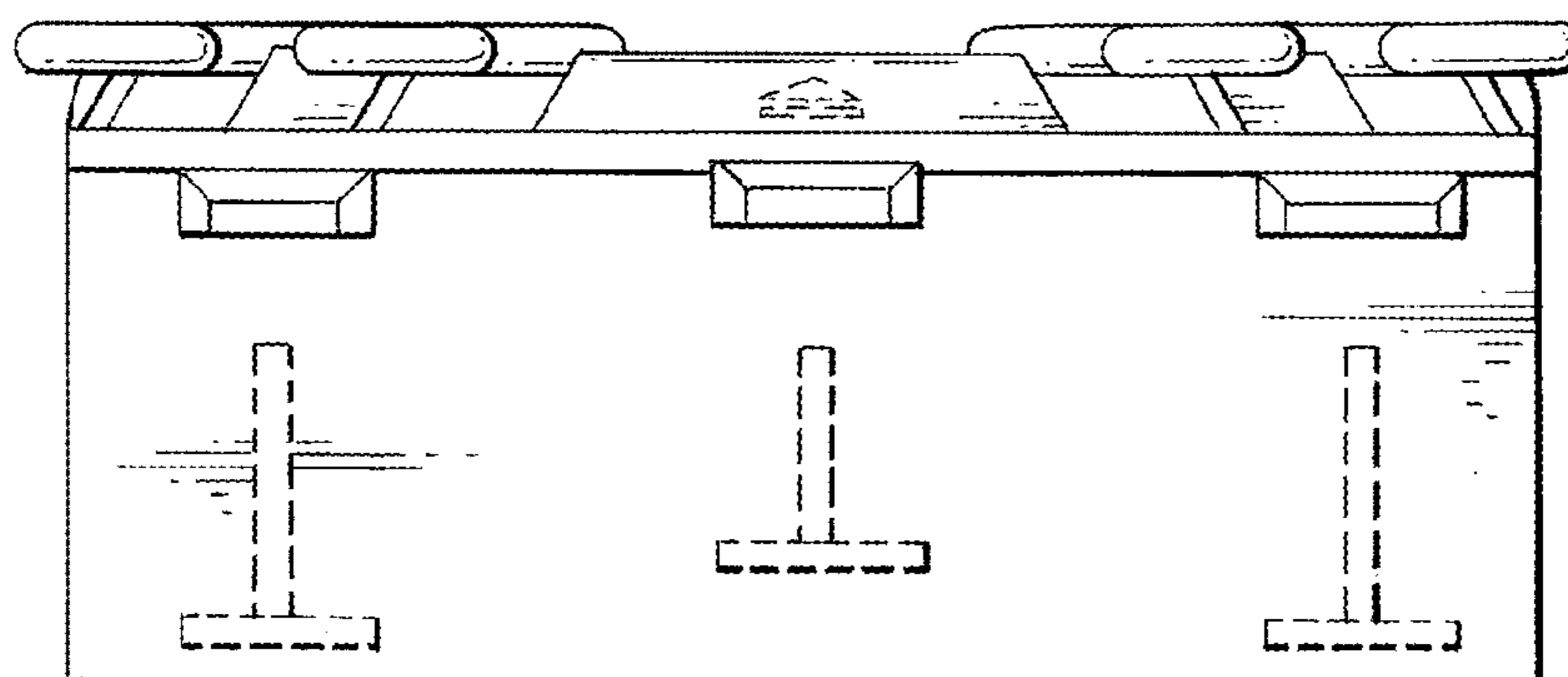
**Fig. 5**



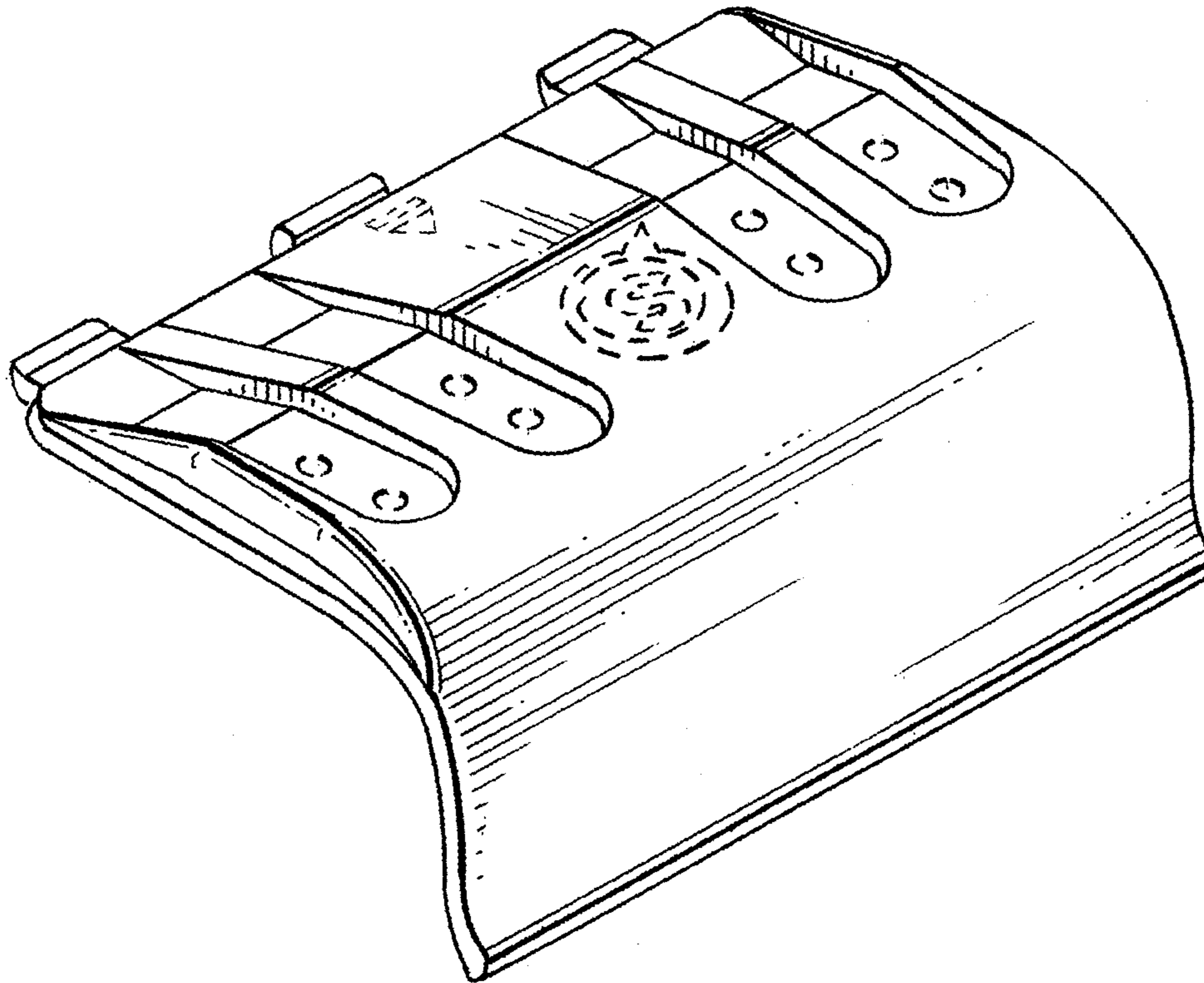
**Fig. 6**

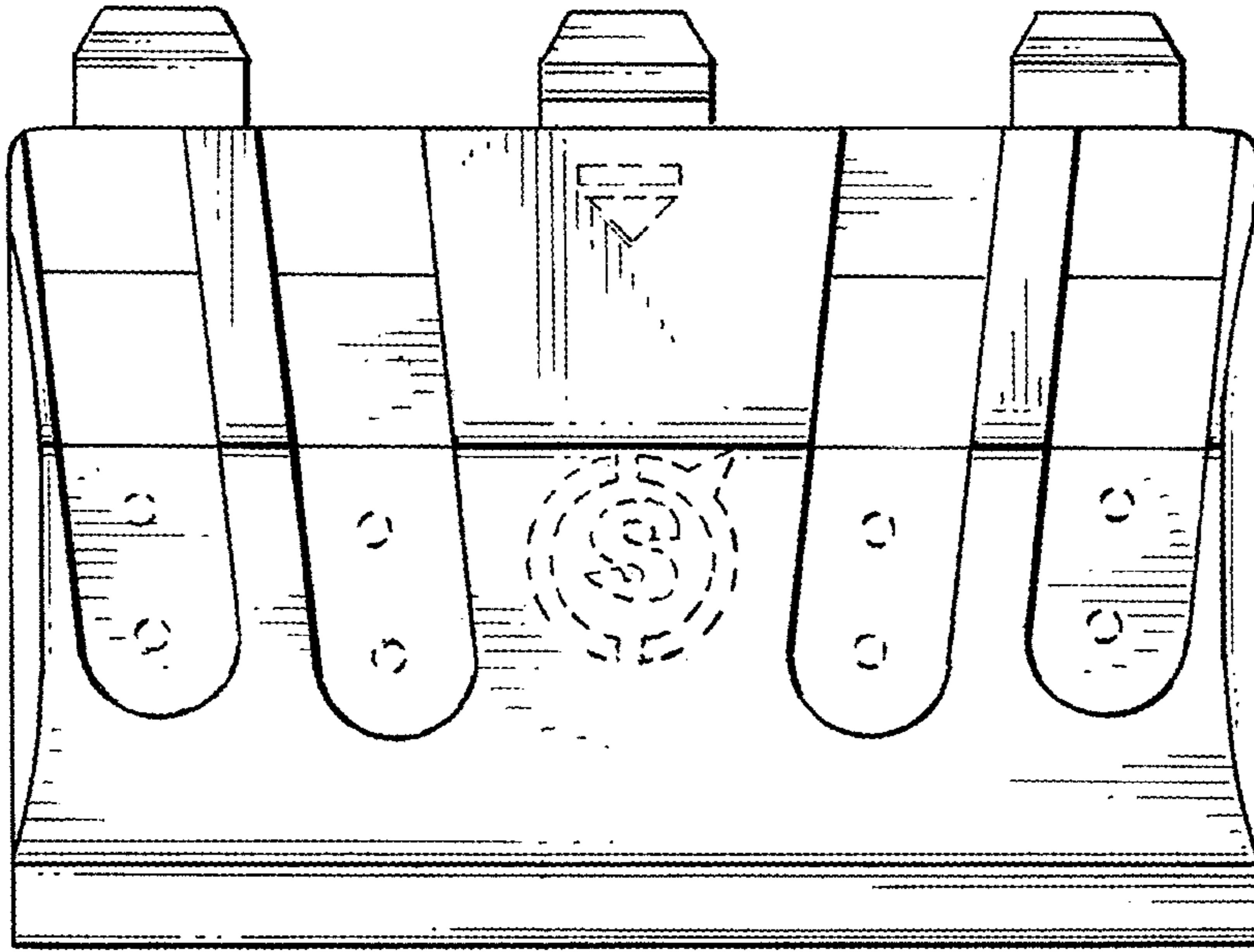


**Fig. 7**

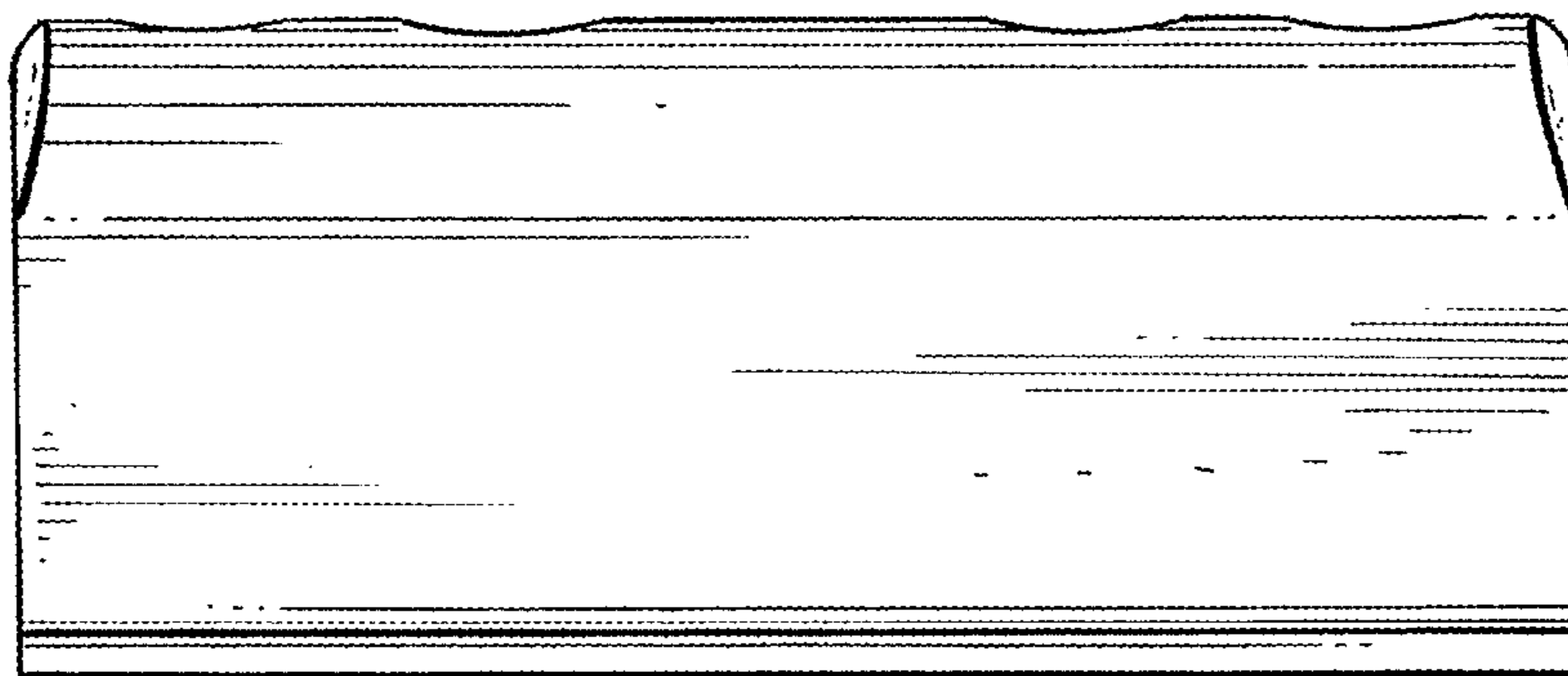


**Fig. 8**



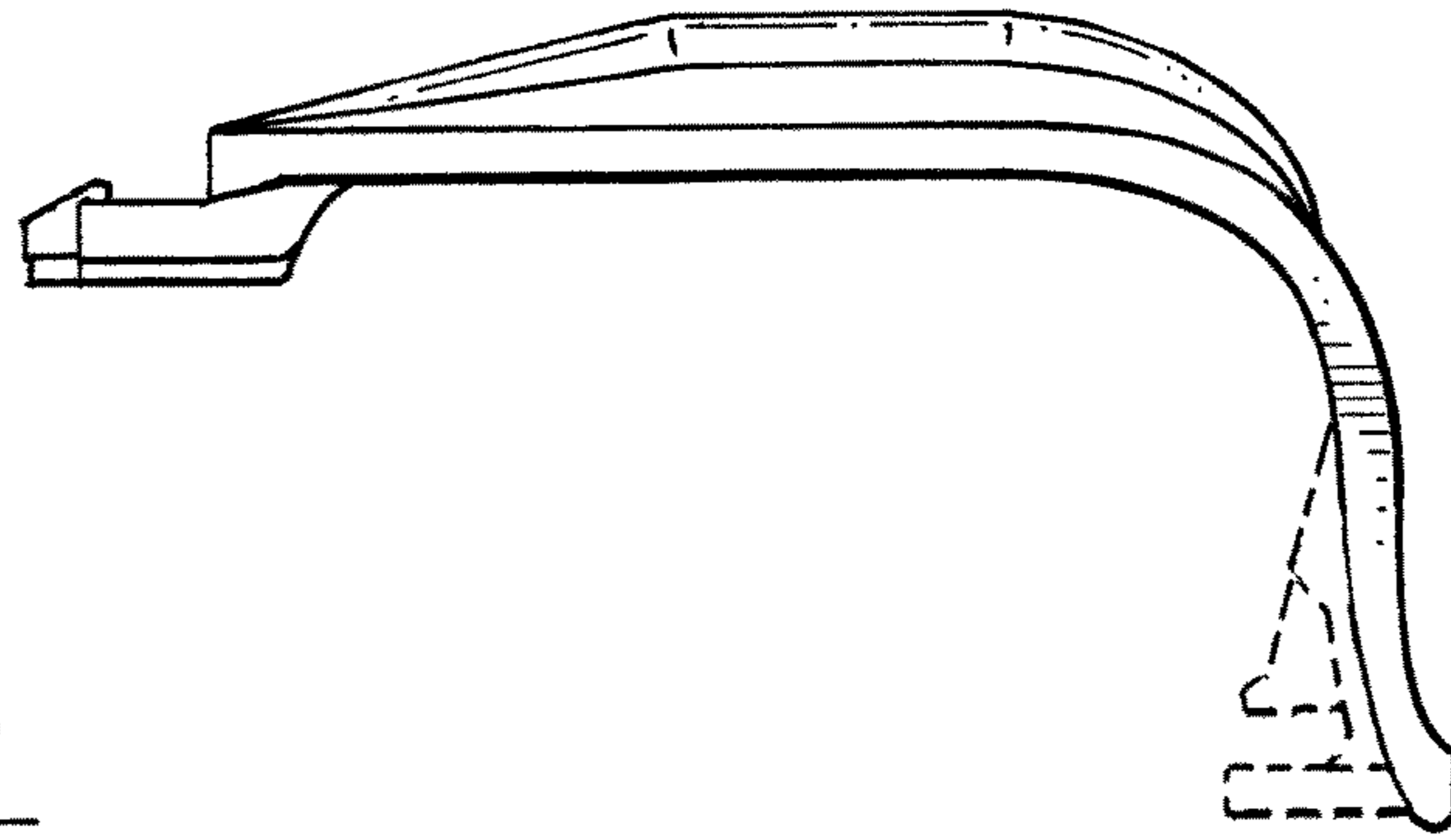


*Fig. 10*

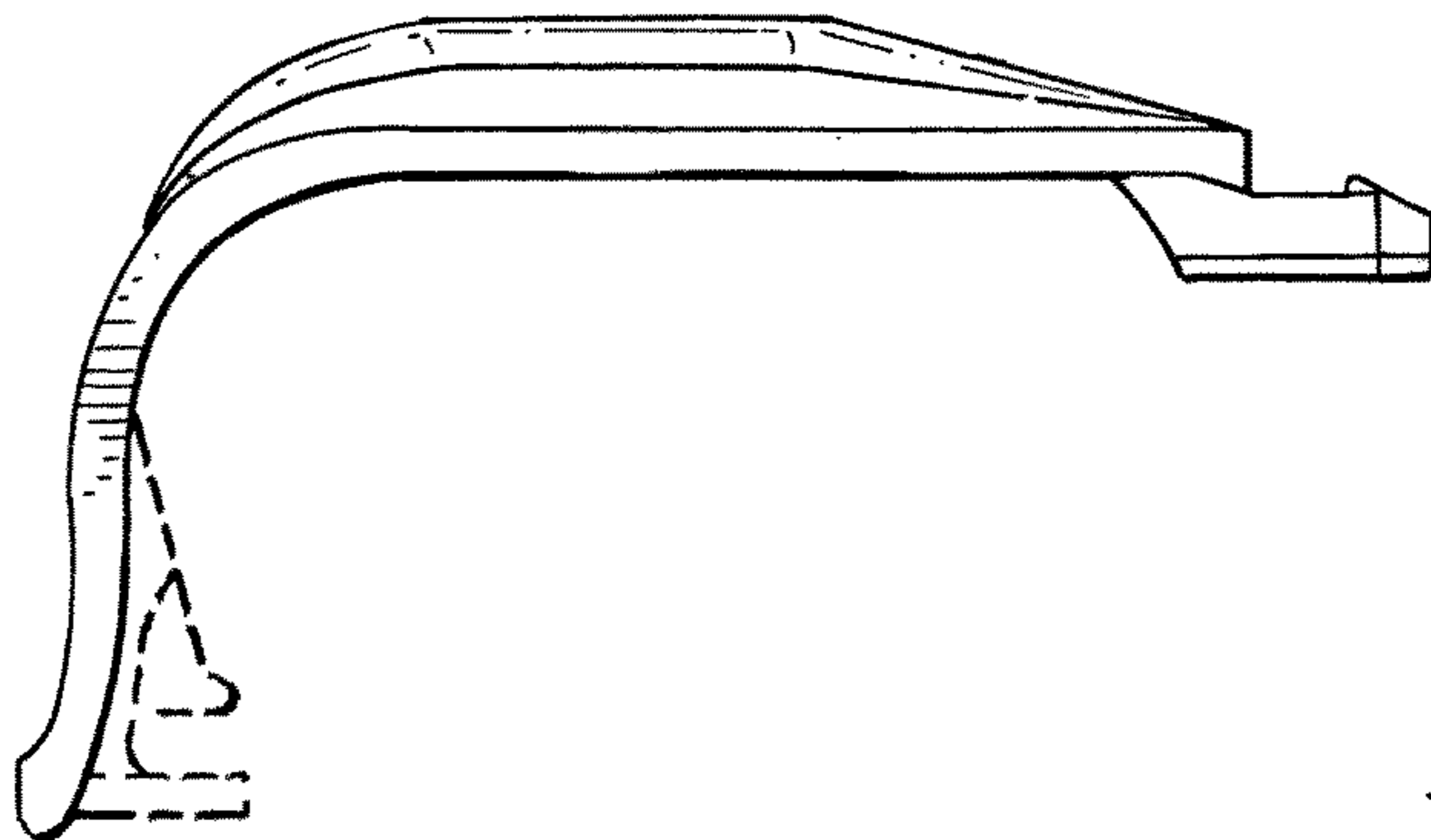


*Fig. 11*

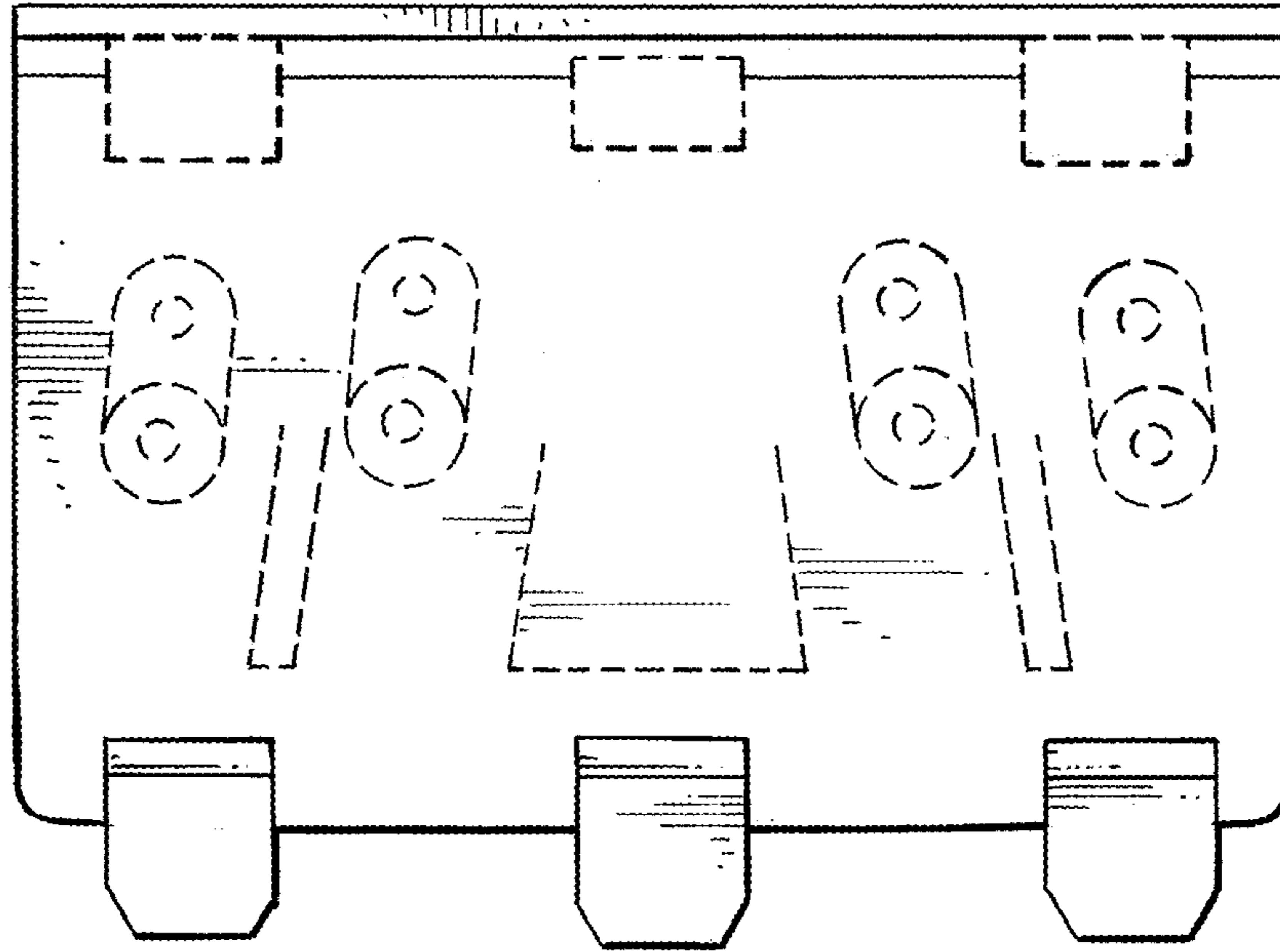




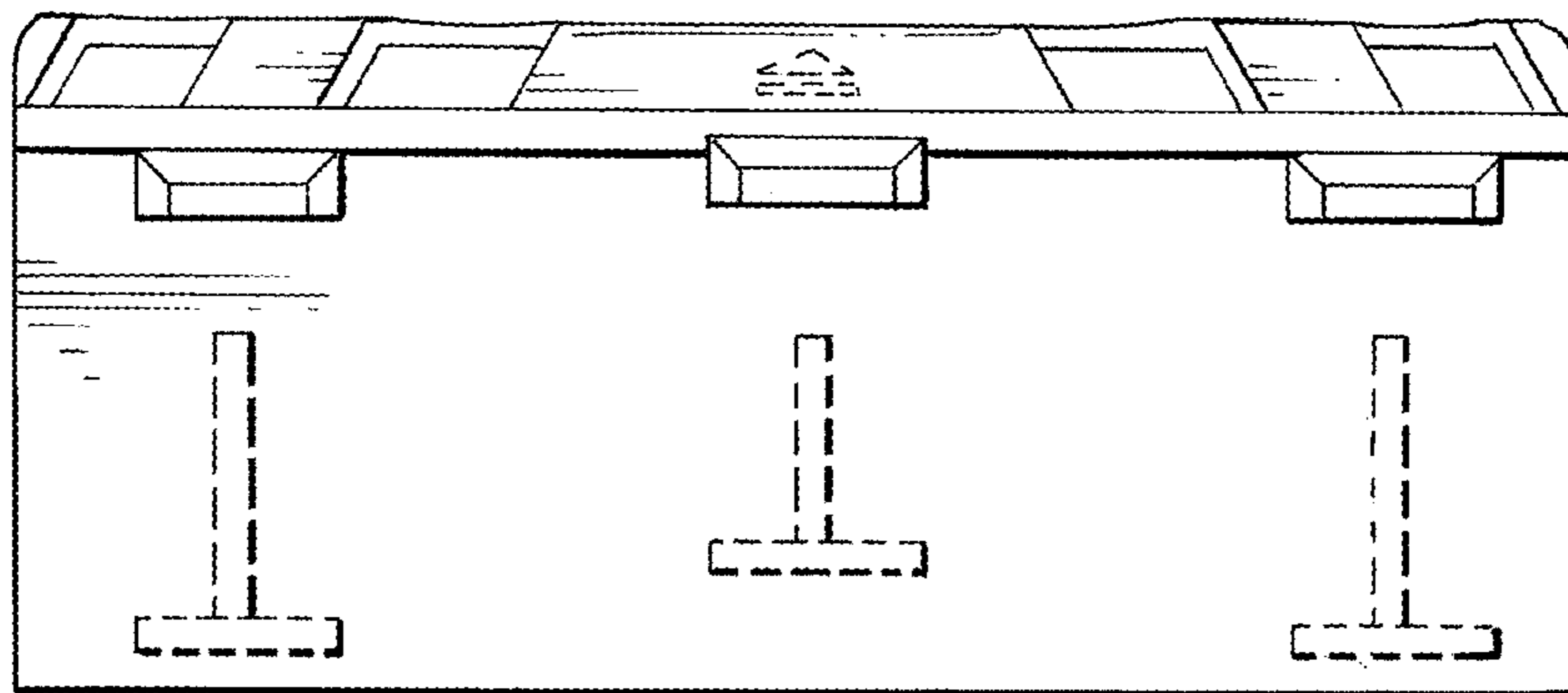
**Fig. 12**



**Fig. 13**

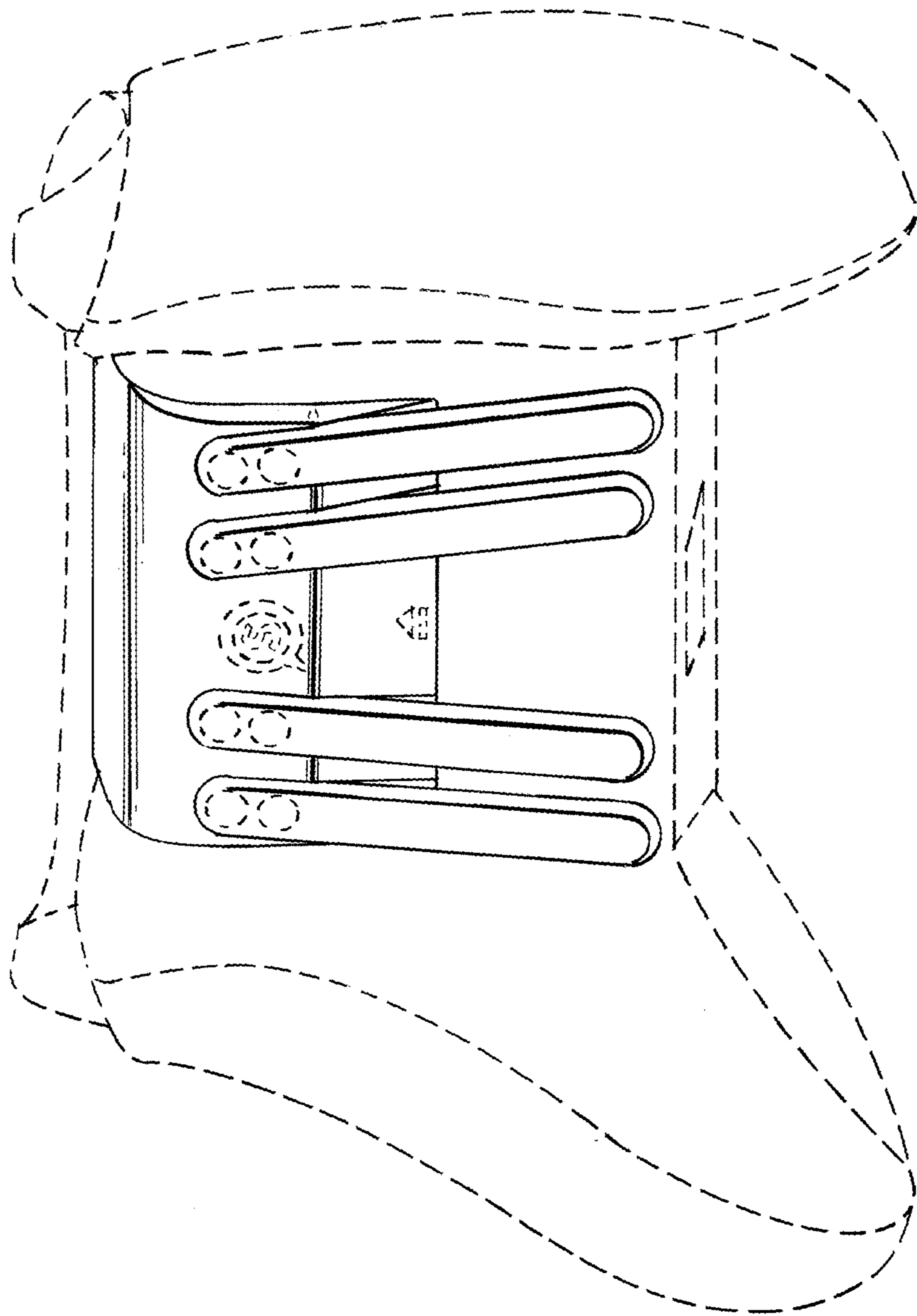


**Fig. 14**

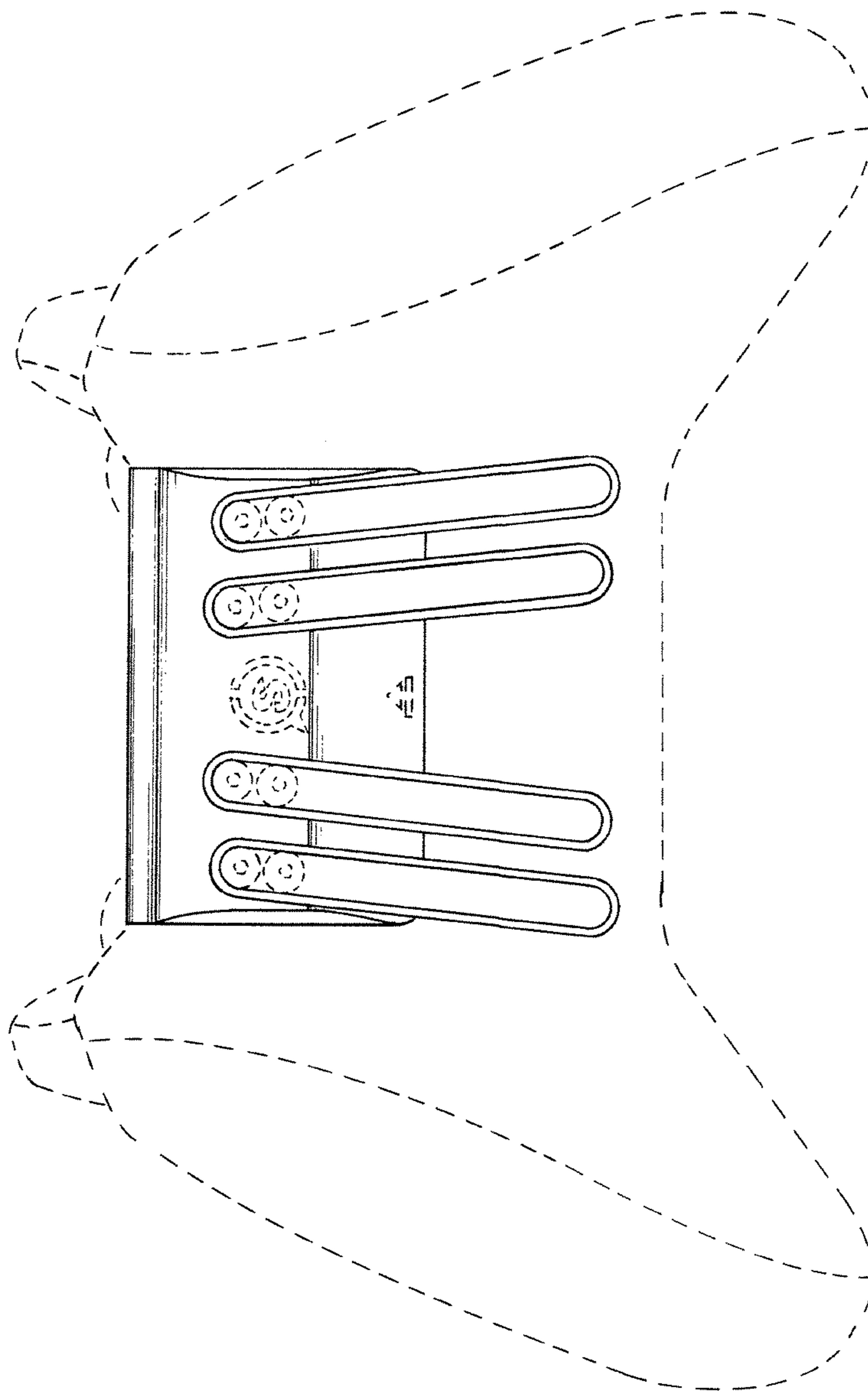


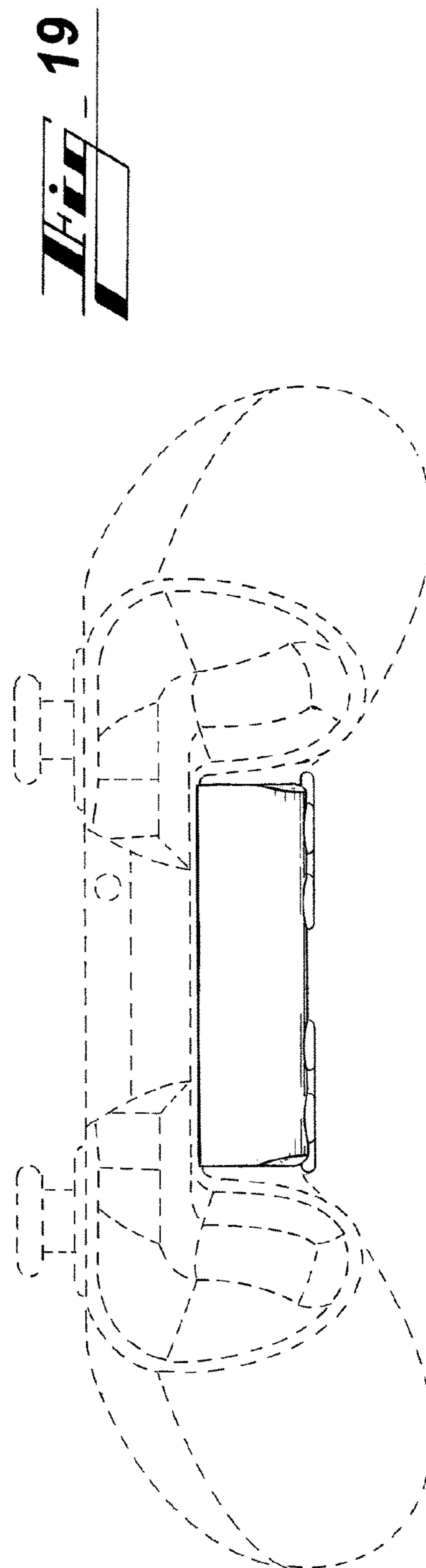
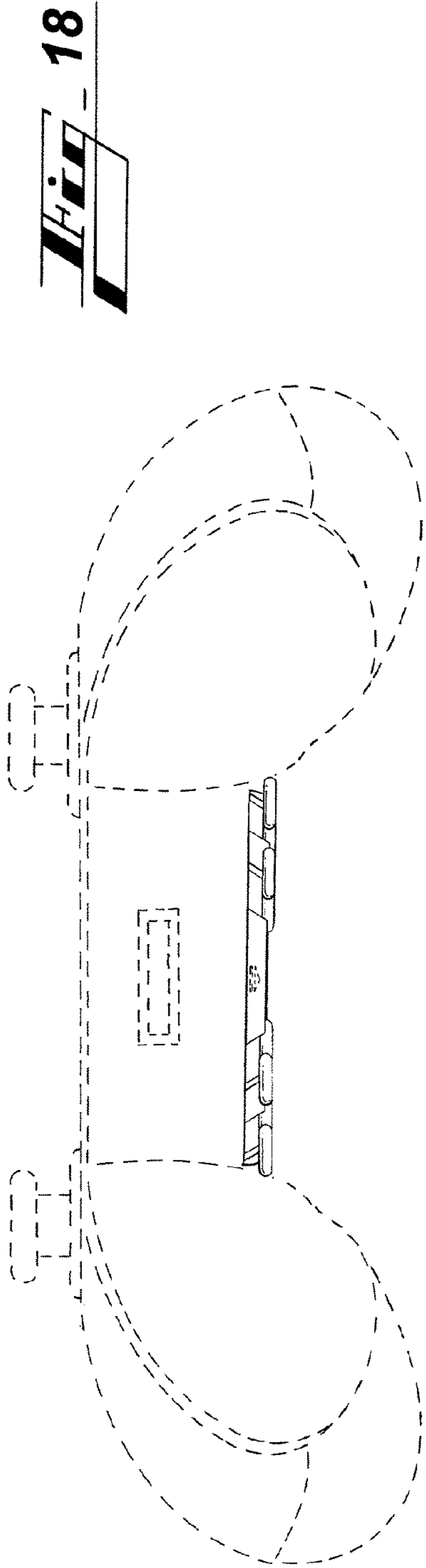
**Fig. 15**

**Fig. 16**

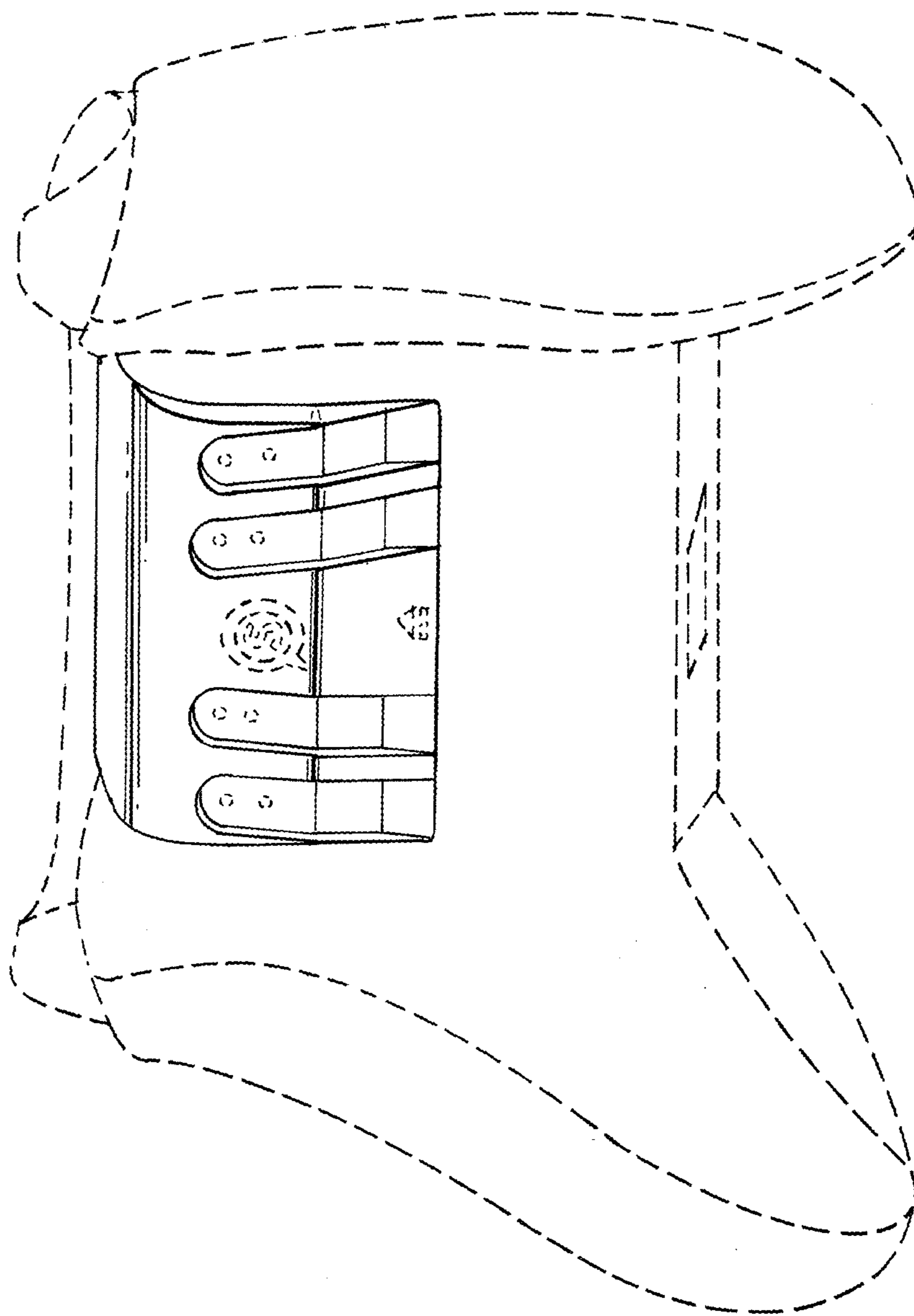


**FIG. 17**





**Life** - 20



**Fig. 21**

