



US00D748733S

(12) **United States Design Patent**
Garfinkle

(10) **Patent No.:** **US D748,733 S**

(45) **Date of Patent:** **** Feb. 2, 2016**

(54) **MERCHANDISE TAG DISPLAY CLIP**

(71) Applicant: **Clamp Swing Pricing Company,**
Oakland, CA (US)

(72) Inventor: **Benjamin Garfinkle,** Piedmont, CA
(US)

(**) Term: **14 Years**

(21) Appl. No.: **29/525,797**

(22) Filed: **May 3, 2015**

(51) **LOC (10) Cl.** **20-03**

(52) **U.S. Cl.**
USPC **D20/43**

(58) **Field of Classification Search**
USPC D20/10, 17, 19, 43, 44; D8/382, 389,
D8/394, 395
CPC G09F 1/10; G09F 1/103; G09F 1/12;
G09F 1/14; G09F 2001/106; G09F 3/08;
G09F 3/12; G09F 3/16; G09F 3/18; G09F
3/20; G09F 3/201; G09F 3/202; G09F 3/204
See application file for complete search history.

(56) **References Cited**

U.S. PATENT DOCUMENTS

1,417,325 A * 5/1922 Hopp G09F 3/20
24/457
1,829,360 A * 10/1931 Lambert G09F 1/14
248/473

D240,501 S * 7/1976 Carroll D8/395
D241,312 S * 9/1976 McLintock 40/658
D281,144 S * 10/1985 Astolfi D6/300
5,799,428 A * 9/1998 Poindexter G09F 1/103
248/215
6,651,369 B1 * 11/2003 Keating G09F 3/204
40/658
D532,681 S * 11/2006 Shire D8/382
D543,447 S * 5/2007 Allsopp D8/394
D663,363 S * 7/2012 Garfinkle D20/43
D716,137 S * 10/2014 Szymanski D8/395
2002/0029505 A1 * 3/2002 Faneuf G09F 1/10
40/658

* cited by examiner

Primary Examiner — Mary Ann Calabrese

(74) *Attorney, Agent, or Firm* — Bay Area Technology Law
Group PC

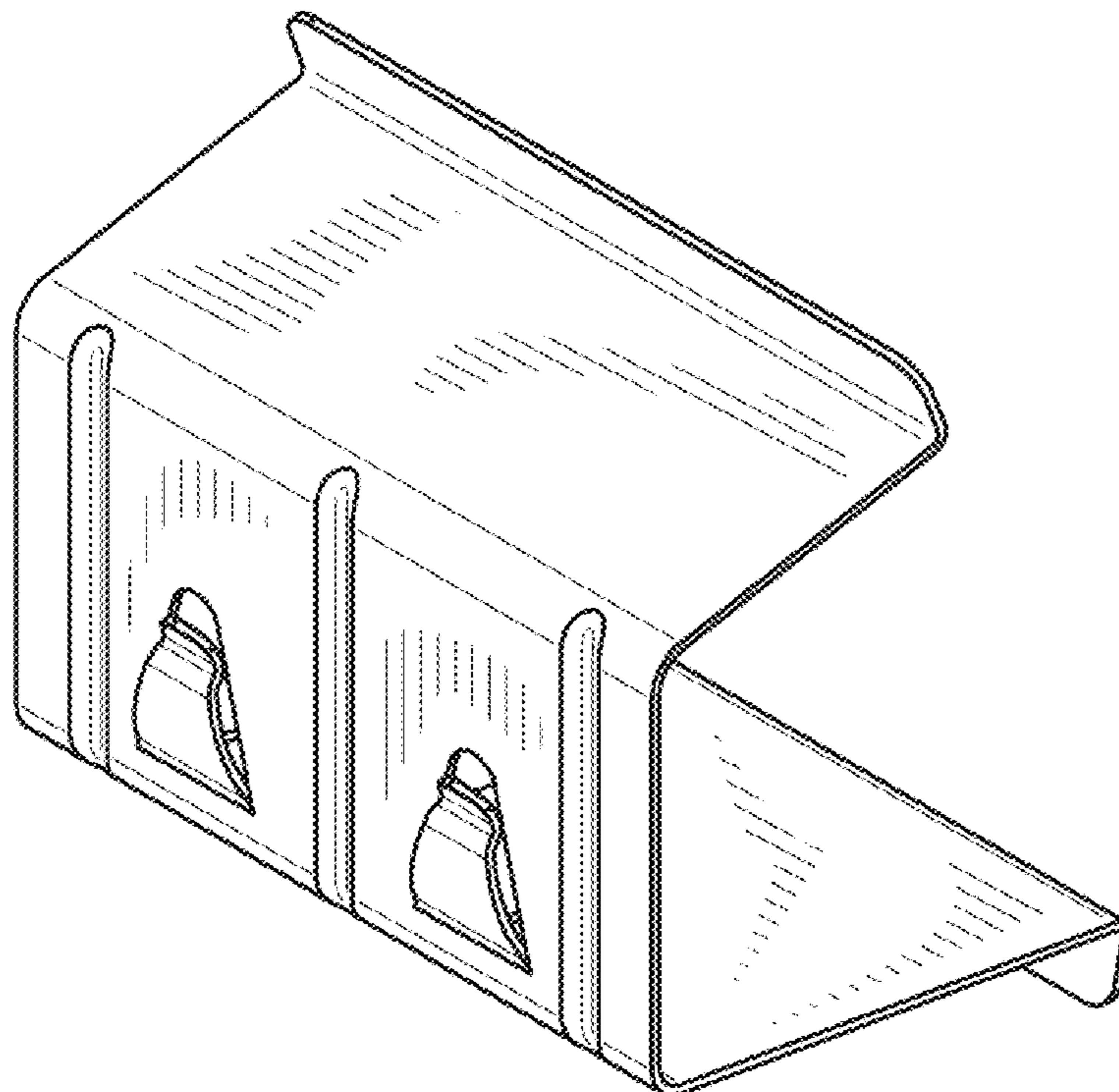
(57) **CLAIM**

The ornamental design for a merchandise tag display clip, as
shown and described.

DESCRIPTION

FIG. 1 is a perspective view of a merchandise tag display clip
showing our new design;
FIG. 2 is a front side view of FIG. 1;
FIG. 3 is a back side view of FIG. 1;
FIG. 4 is a right side view of FIG. 1;
FIG. 5 is a left side view of FIG. 1;
FIG. 6 is a top view of FIG. 1; and,
FIG. 7 is a bottom view of FIG. 1.

1 Claim, 2 Drawing Sheets



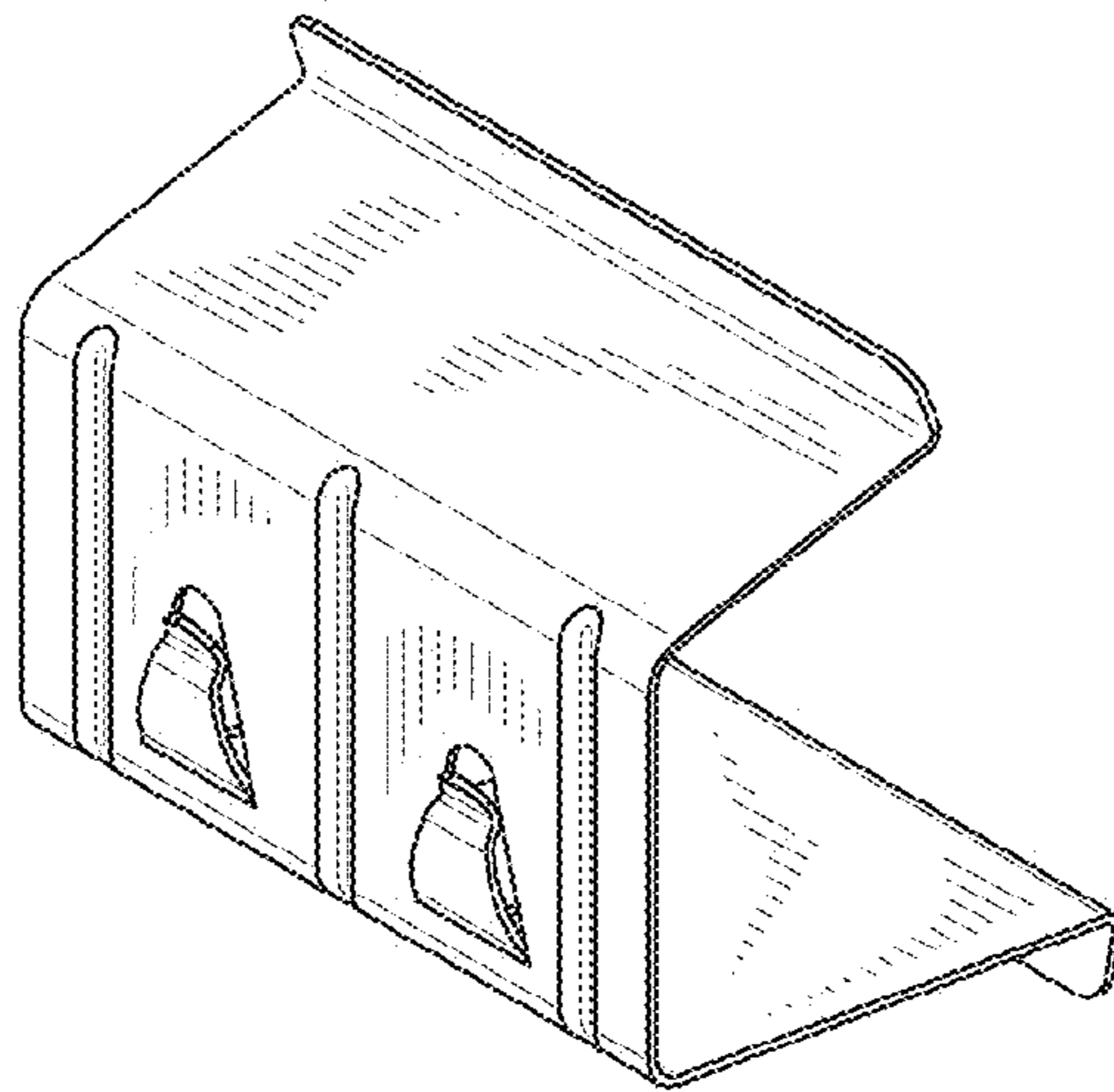


FIG. 1

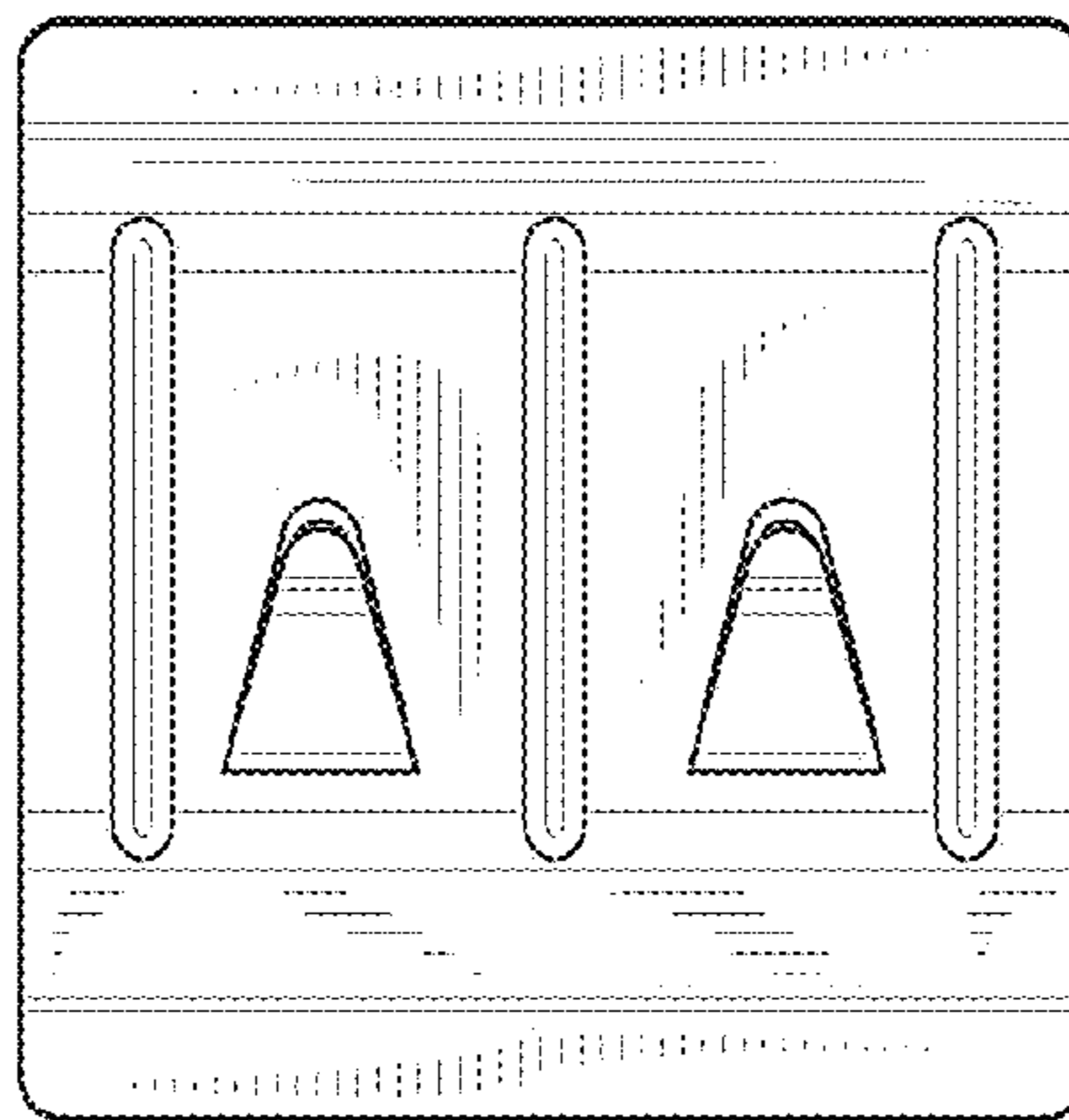


FIG. 2

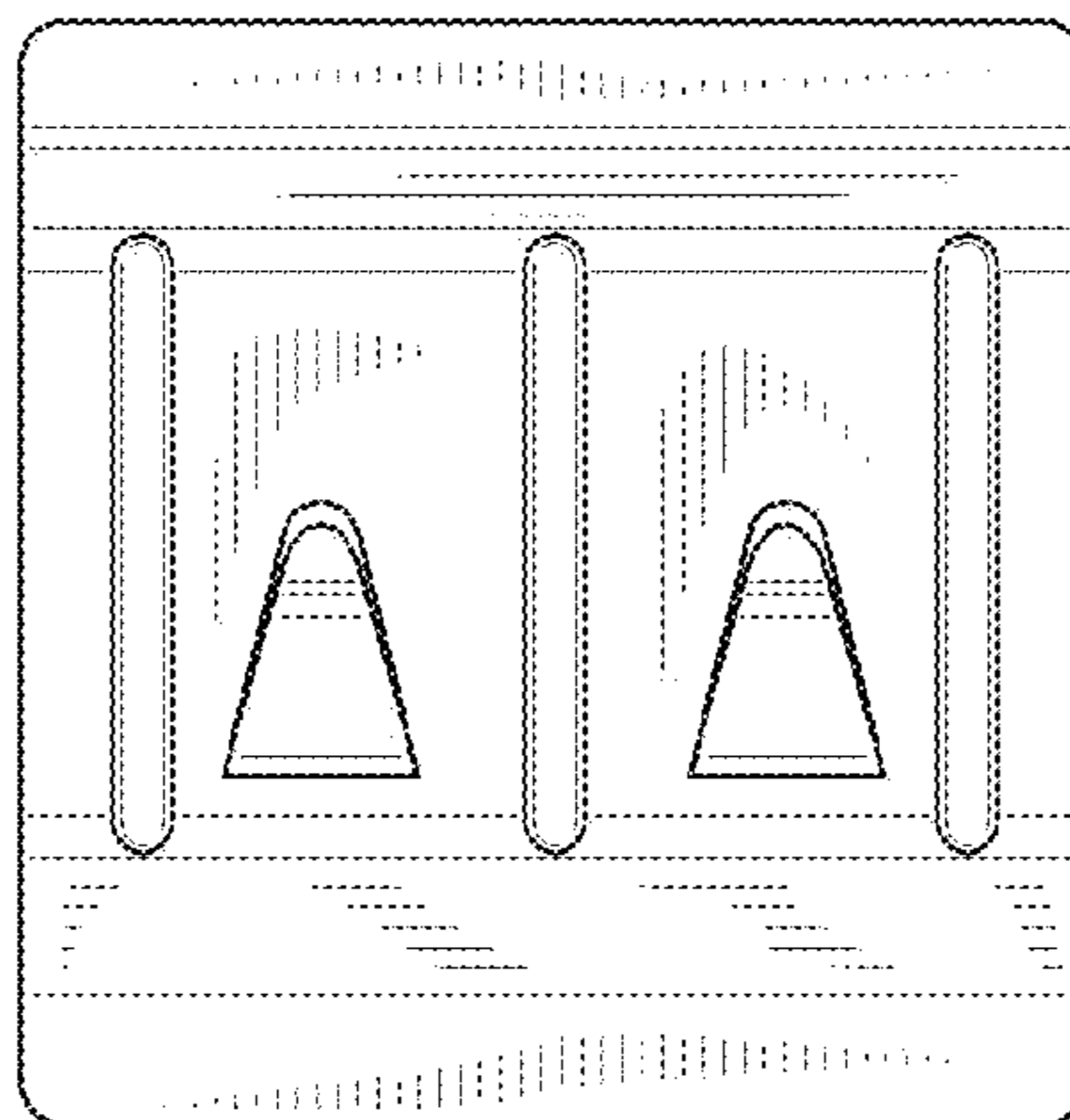


FIG. 3

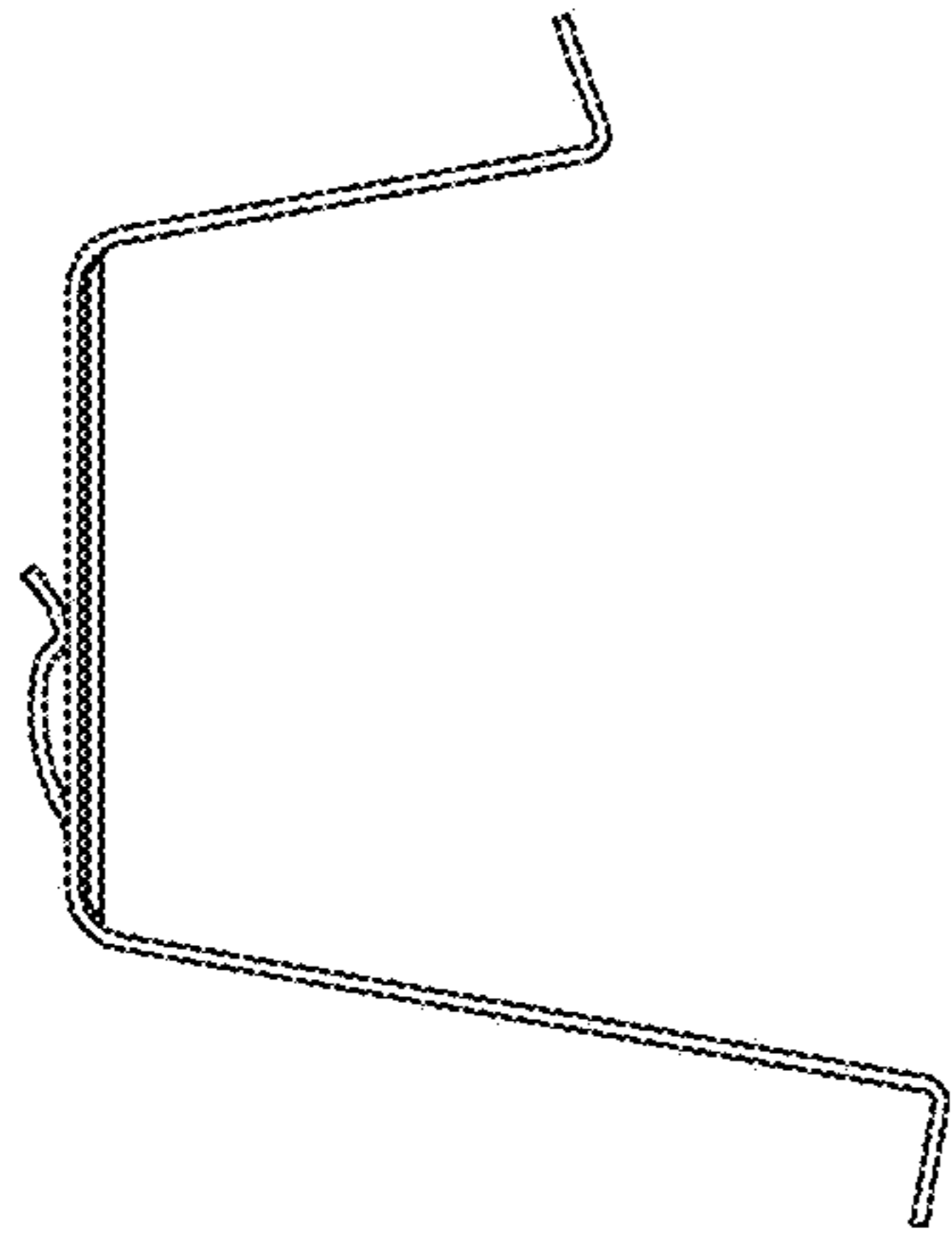


FIG. 4

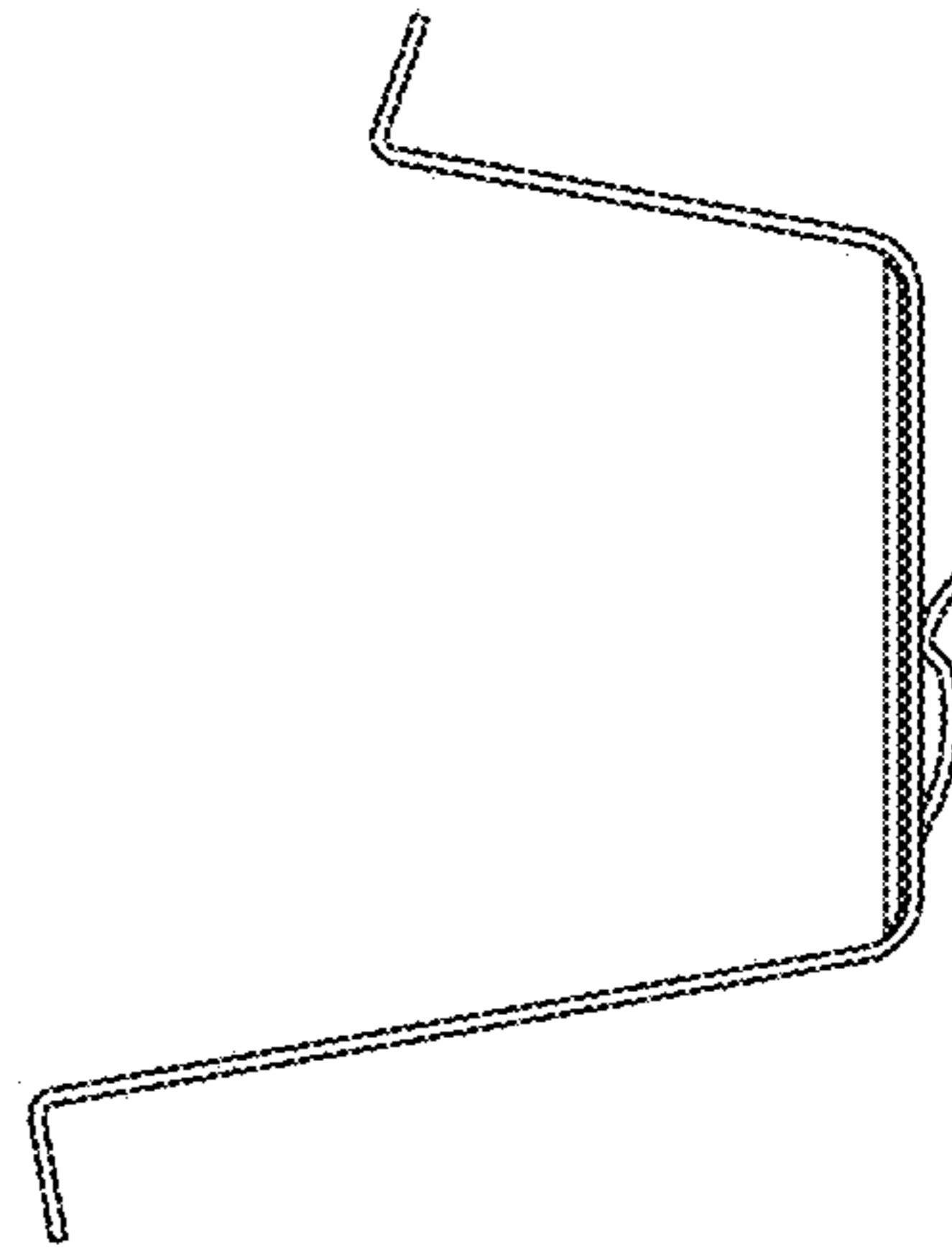


FIG. 5

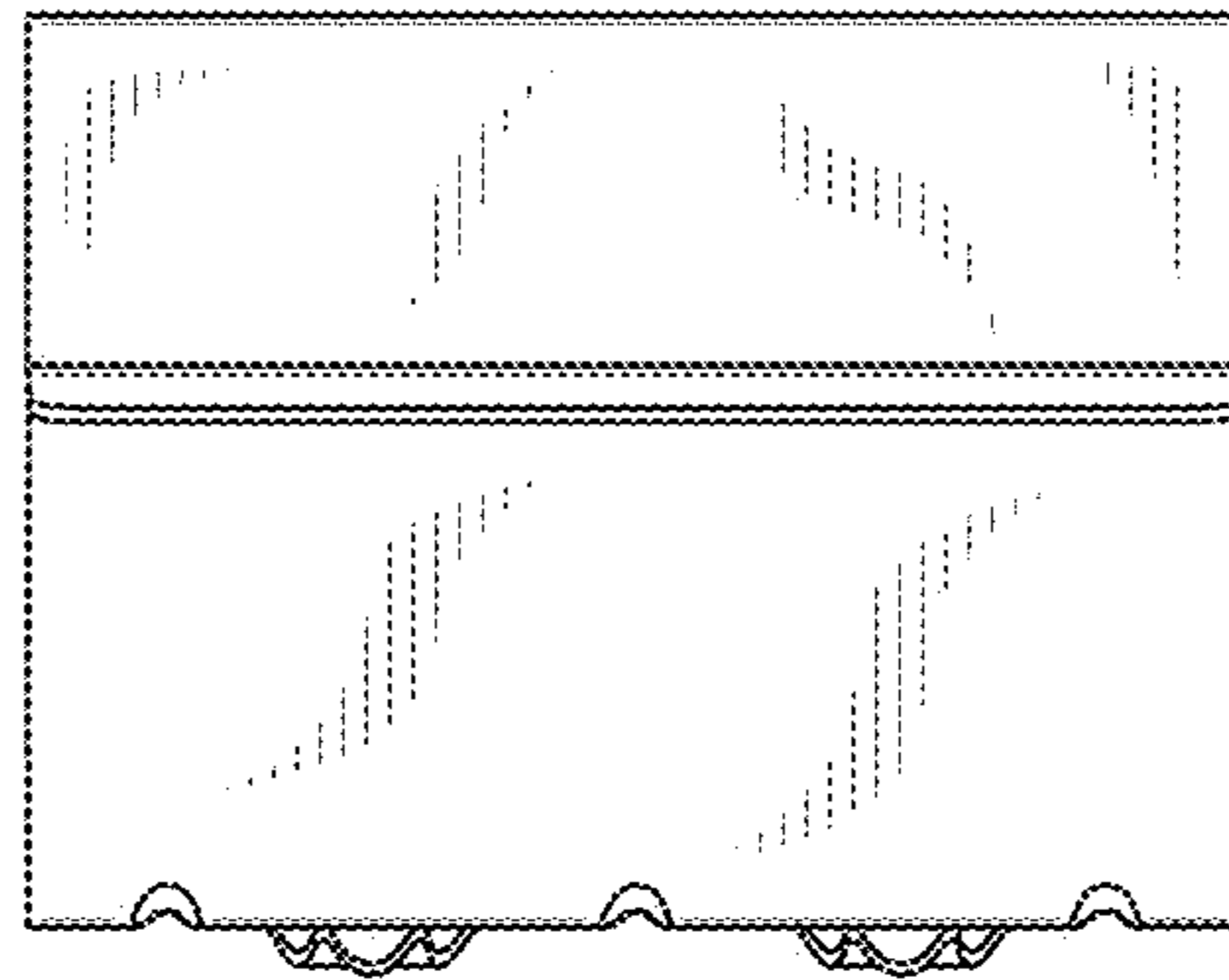


FIG. 6

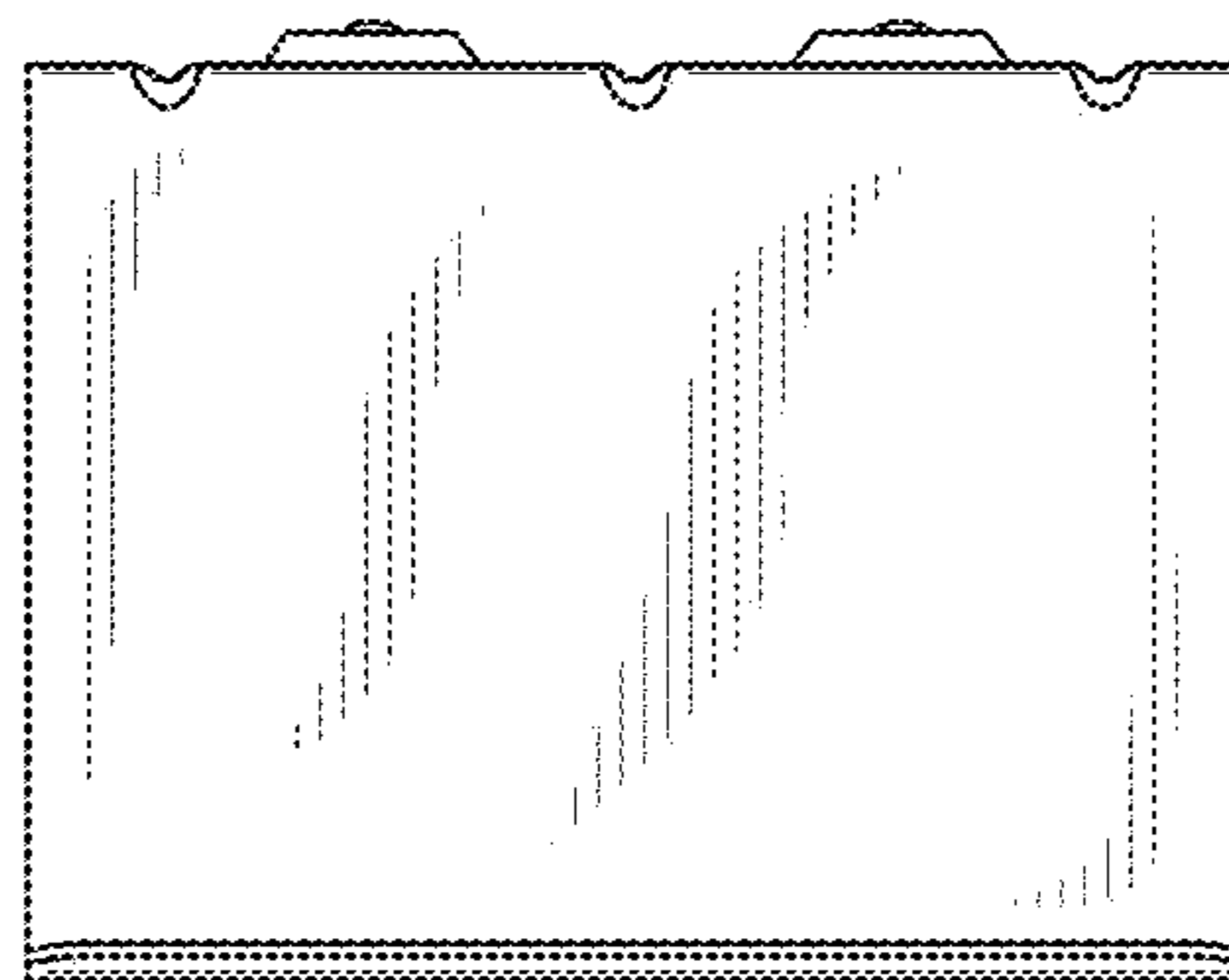


FIG. 7