



US00D748732S

(12) **United States Design Patent**  
**Kopco**

(10) **Patent No.:** **US D748,732 S**  
(45) **Date of Patent:** **\*\* Feb. 2, 2016**

- (54) **LABEL HOLDER WITH LEG** 7,316,089 B2 \* 1/2008 Brinkman ..... G09F 3/204  
40/343
- (71) Applicant: **James J. Kopco**, Mentor-on-the-Lake, OH (US) 7,325,348 B2 2/2008 Mueller et al.  
D573,656 S 7/2008 Wamsley
- (72) Inventor: **James J. Kopco**, Mentor-on-the-Lake, OH (US) D607,061 S 12/2009 Kosir  
7,836,621 B2 11/2010 Mueller et al.  
D640,750 S 6/2011 Bird et al.  
D690,367 S \* 9/2013 Bruegmann ..... D20/43  
D692,955 S 11/2013 Kopco
- (73) Assignee: **Fasteners For Retail, Inc.**, Twinsburg, OH (US) D704,774 S \* 5/2014 Kopco ..... D20/43  
8,793,913 B1 \* 8/2014 Zobel ..... G09F 3/204  
40/661.03
- (\*\*) Term: **14 Years** 2002/0129528 A1 \* 9/2002 Nagel ..... G09F 3/204  
40/661
- (21) Appl. No.: **29/482,799** 2007/0245611 A1 \* 10/2007 McDonald ..... G09F 3/204  
40/661.03

**OTHER PUBLICATIONS**

2014 FFR Total Retail Solutions Catalog, cover page, pp. 54-61, 65 and 145-154.

\* cited by examiner

*Primary Examiner* — Mary Ann Calabrese

(74) *Attorney, Agent, or Firm* — Fay Sharpe LLP

- (22) Filed: **Feb. 21, 2014**
- (51) **LOC (10) Cl.** ..... **20-03**
- (52) **U.S. Cl.**  
USPC ..... **D20/43**
- (58) **Field of Classification Search**  
USPC ..... D20/10, 19, 43, 44, 99; D25/119  
CPC ..... G09F 1/10; G09F 3/08; G09F 3/16;  
G09F 3/18; G09F 3/20; G09F 3/201; G09F  
3/202; G09F 3/203; G09F 3/204; G09F 7/02;  
G09F 7/04; G09F 7/08; G09F 7/0218; G09F  
7/20; G09F 7/22; G09F 23/10; B42F 19/00;  
B42F 21/00; B42F 21/08; B42F 21/065;  
B65D 85/00

See application file for complete search history.

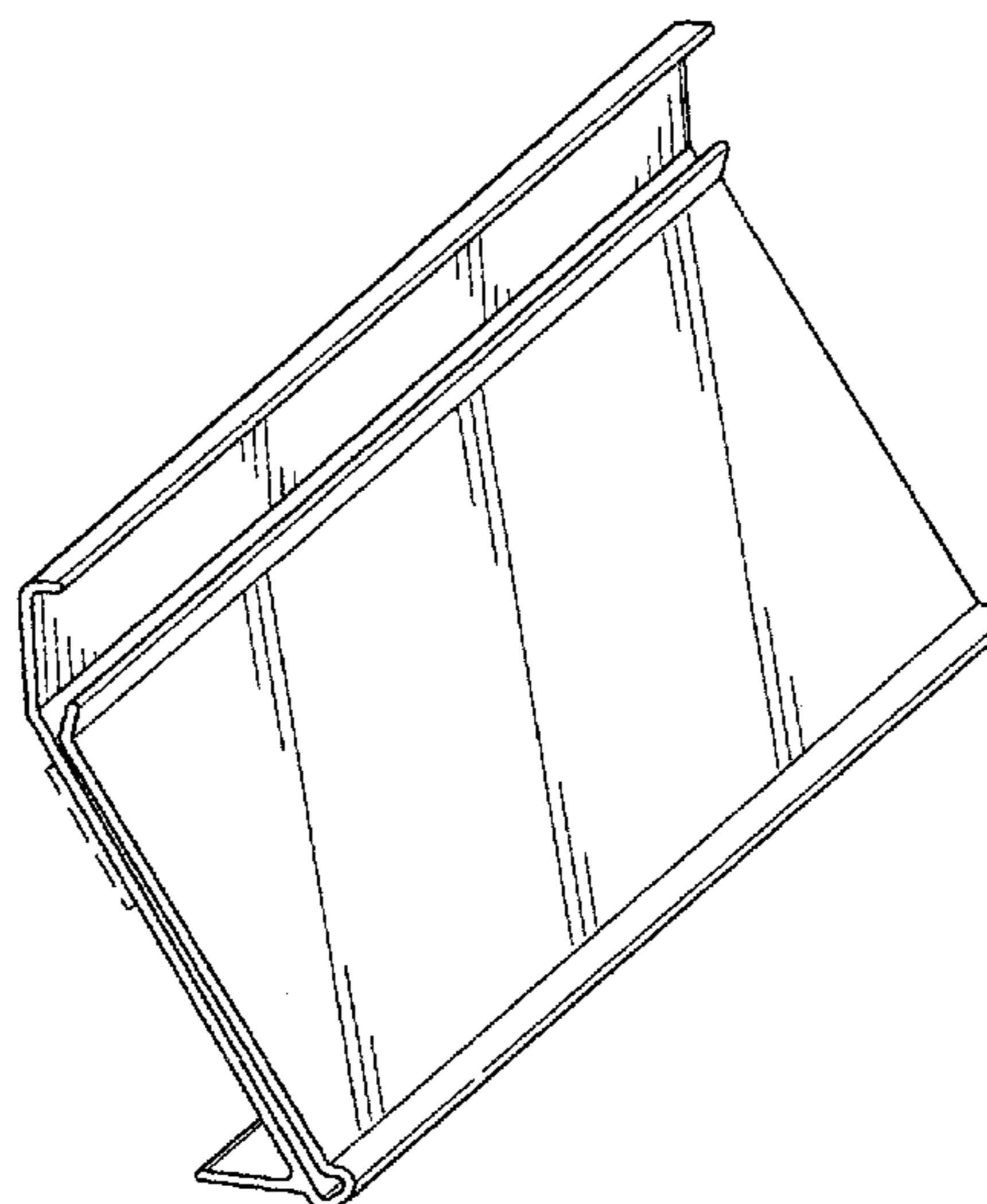
(57) **CLAIM**  
The ornamental design for a label holder with leg, as shown and described.

**DESCRIPTION**

FIG. 1 is a perspective view of a label holder with leg showing my new design;  
FIG. 2 is a front elevational view thereof;  
FIG. 3 is a rear elevational view thereof;  
FIG. 4 is a top plan view thereof;  
FIG. 5 is a bottom plan view thereof; and,  
FIG. 6 is a left end elevational view thereof, with a right end elevational view being a mirror image thereof.  
The parts shown in broken lines in FIGS. 1, 3, 5 and 6 form no part of the claimed design.

- (56) **References Cited**  
U.S. PATENT DOCUMENTS
- 6,026,603 A 2/2000 Kump et al.
- D425,566 S 5/2000 Mueller et al.
- D425,939 S 5/2000 Kump et al.
- D453,534 S 2/2002 Kosir
- D480,434 S \* 10/2003 Brinkman ..... D20/43
- D510,602 S 10/2005 Wasilko
- D513,280 S 12/2005 Kosir
- D531,227 S 10/2006 Mueller et al.
- D546,892 S \* 7/2007 Bruegmann ..... D20/44

**1 Claim, 2 Drawing Sheets**



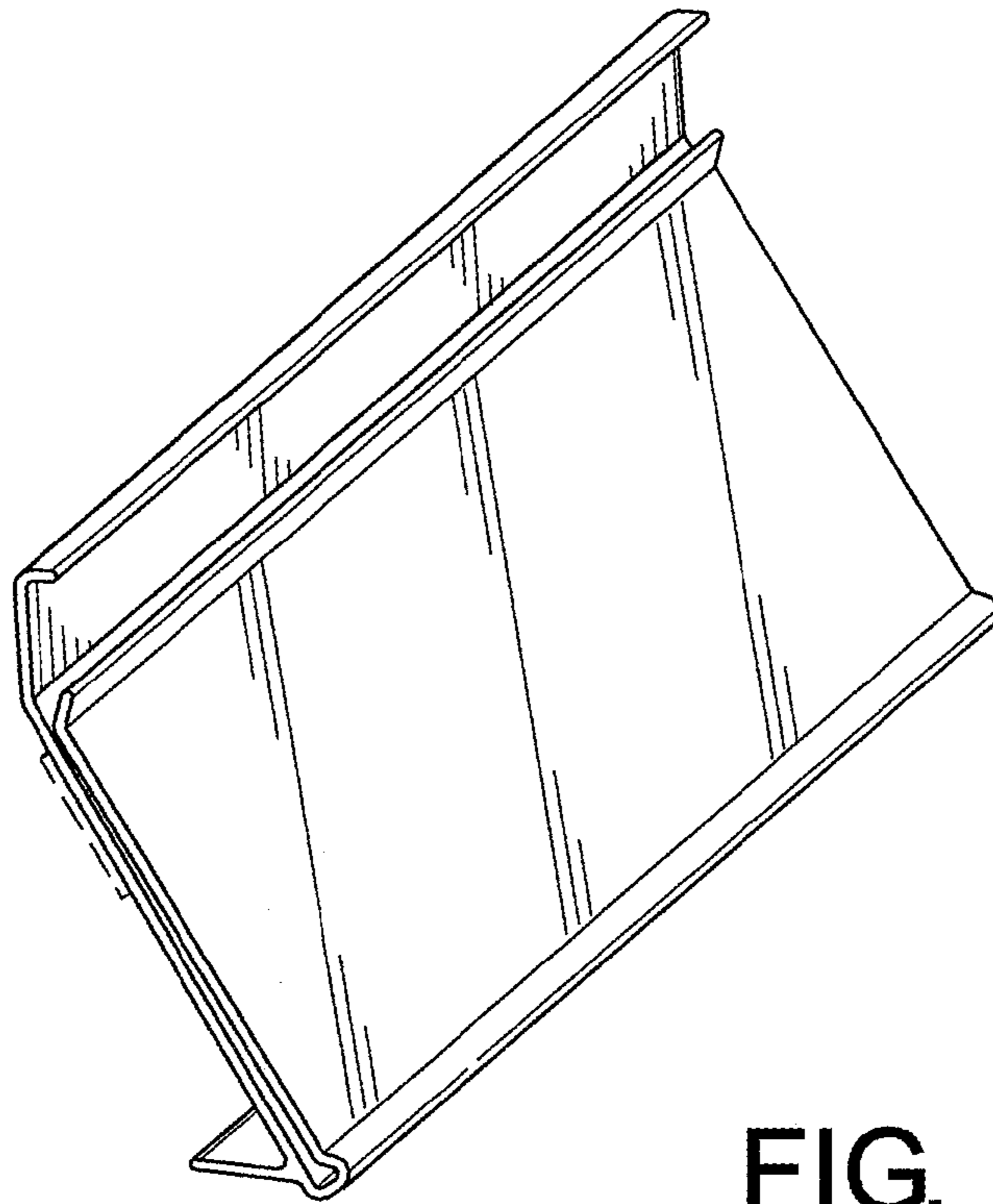


FIG. 1

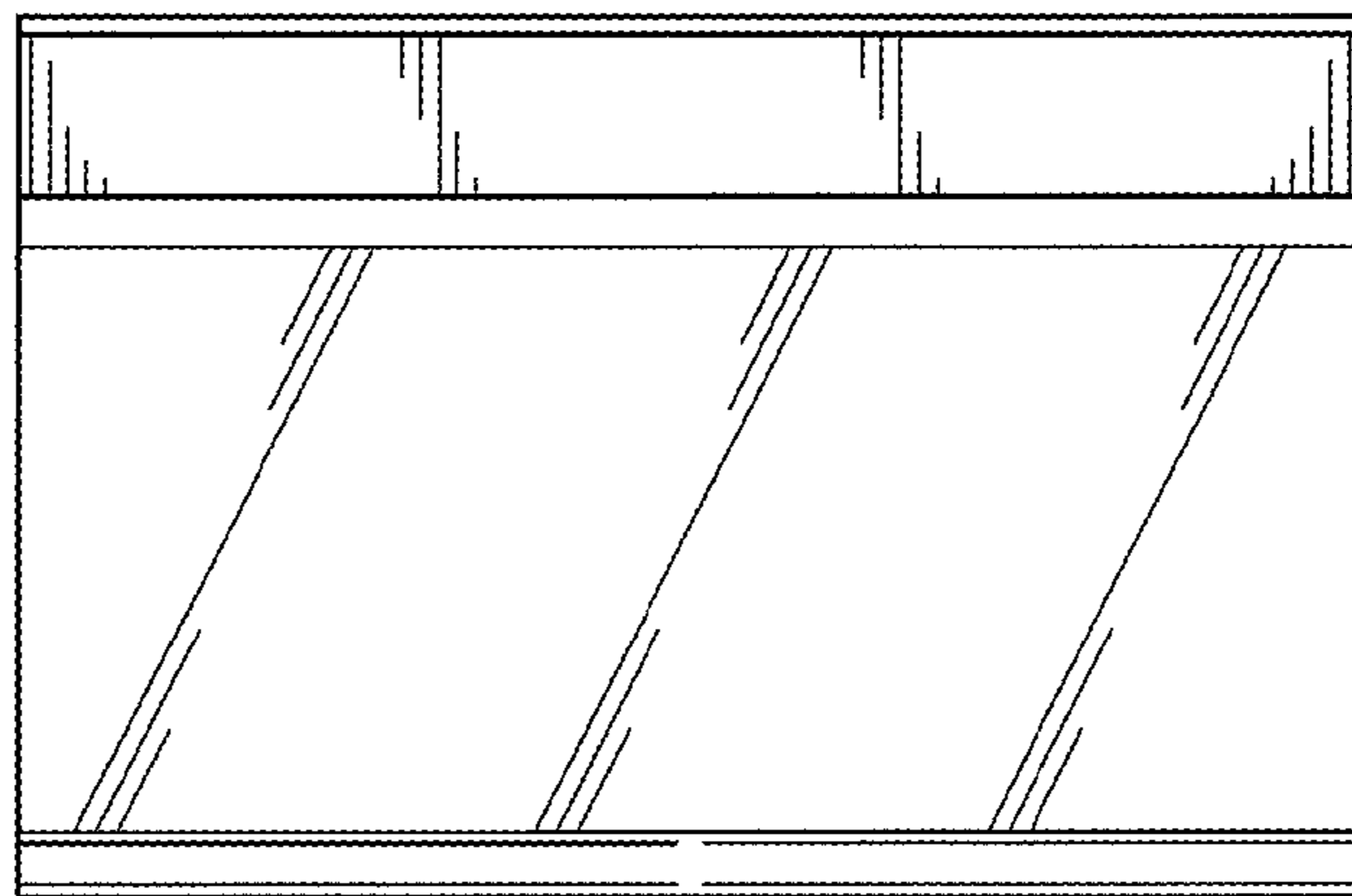


FIG. 2

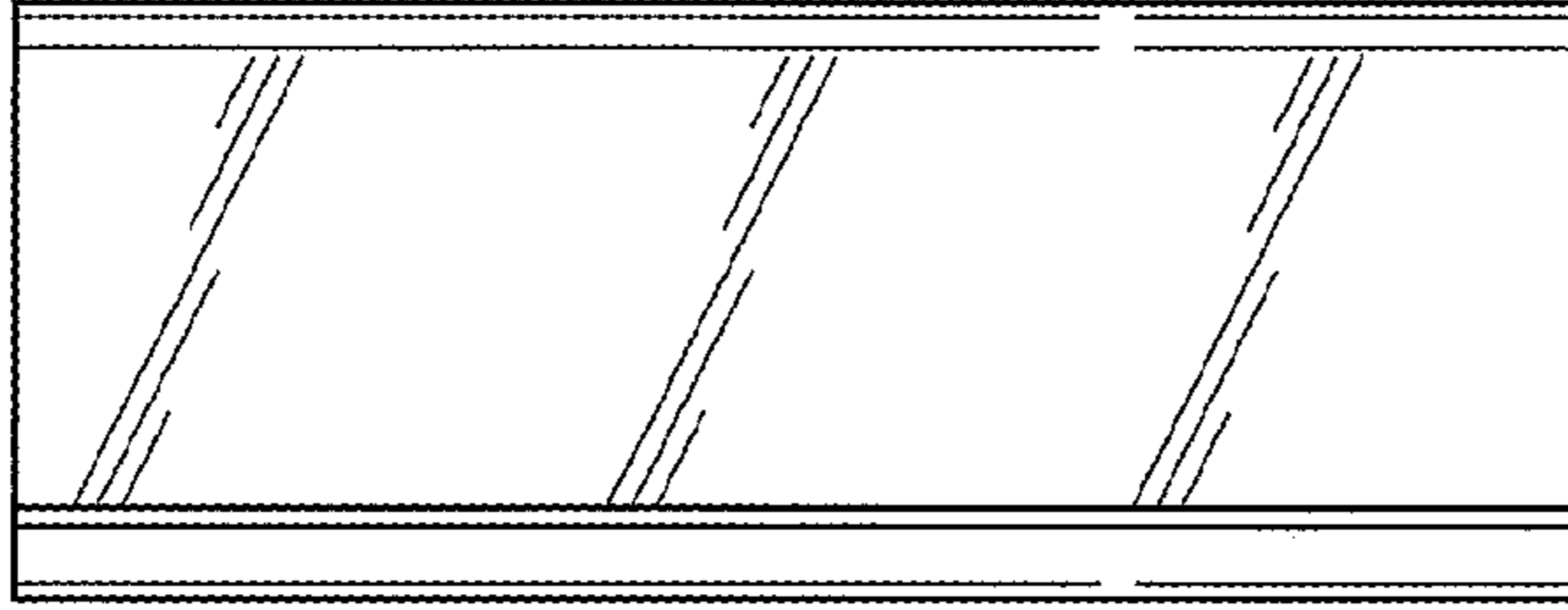


FIG. 4

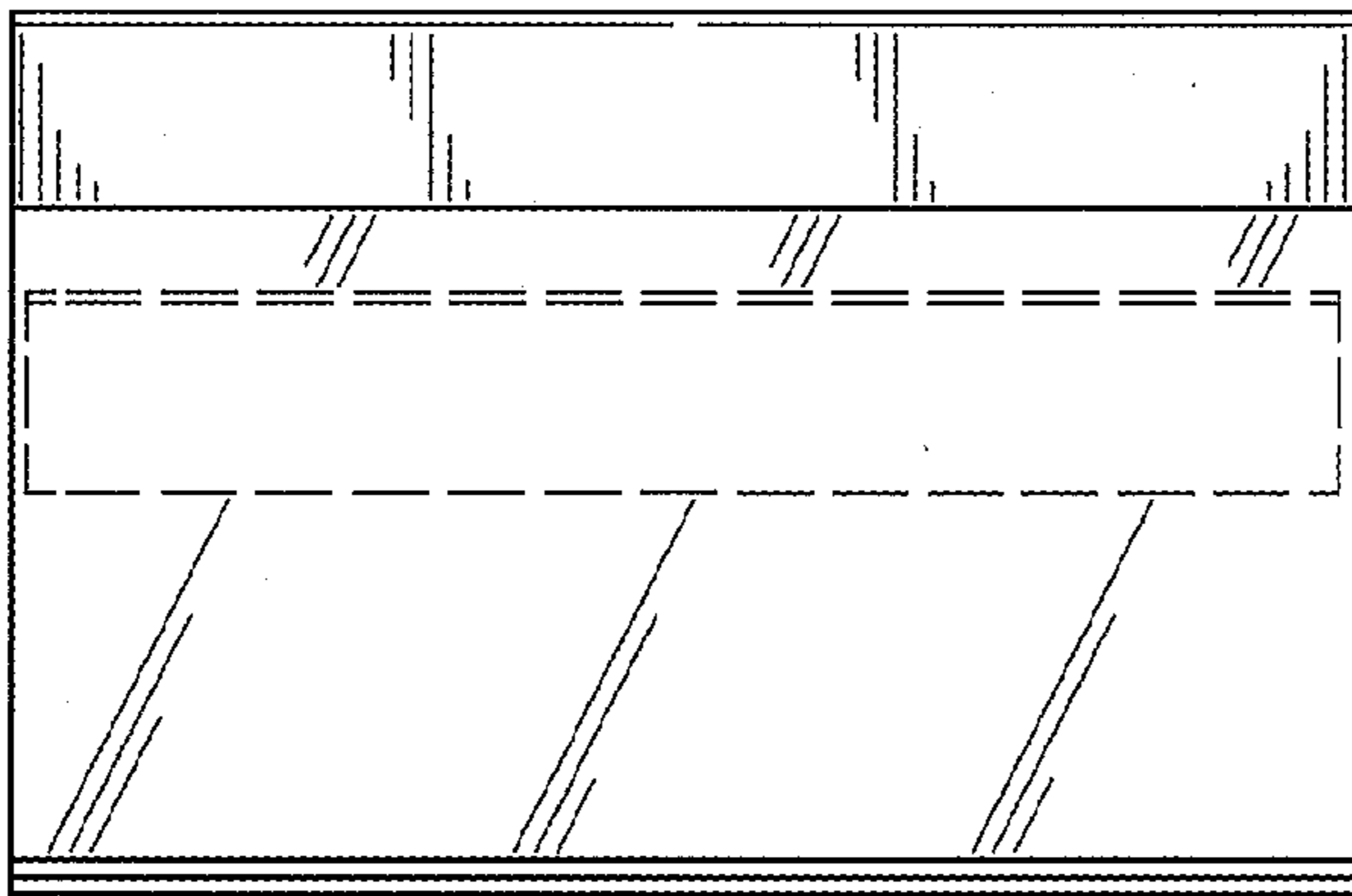


FIG. 3

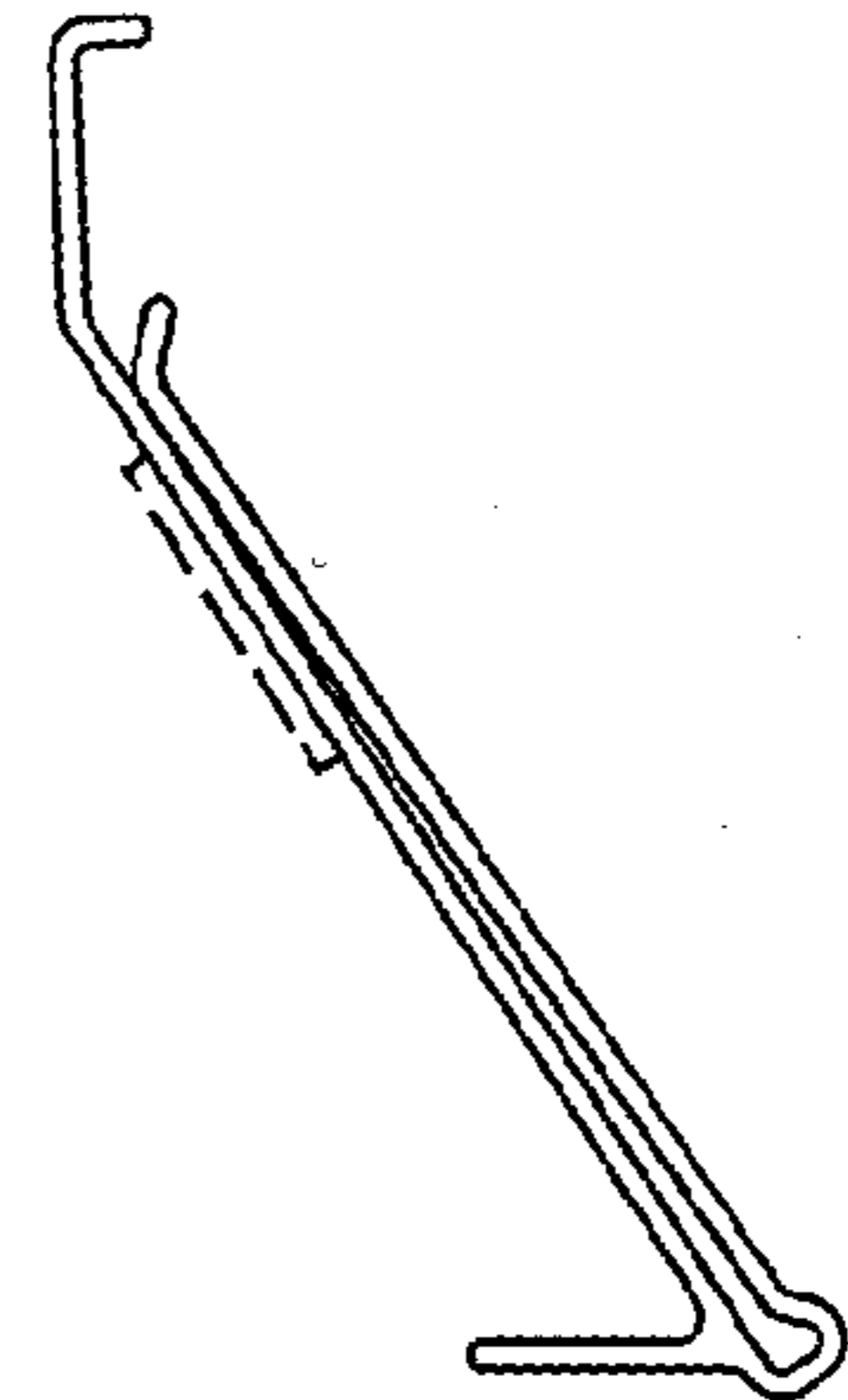


FIG. 6

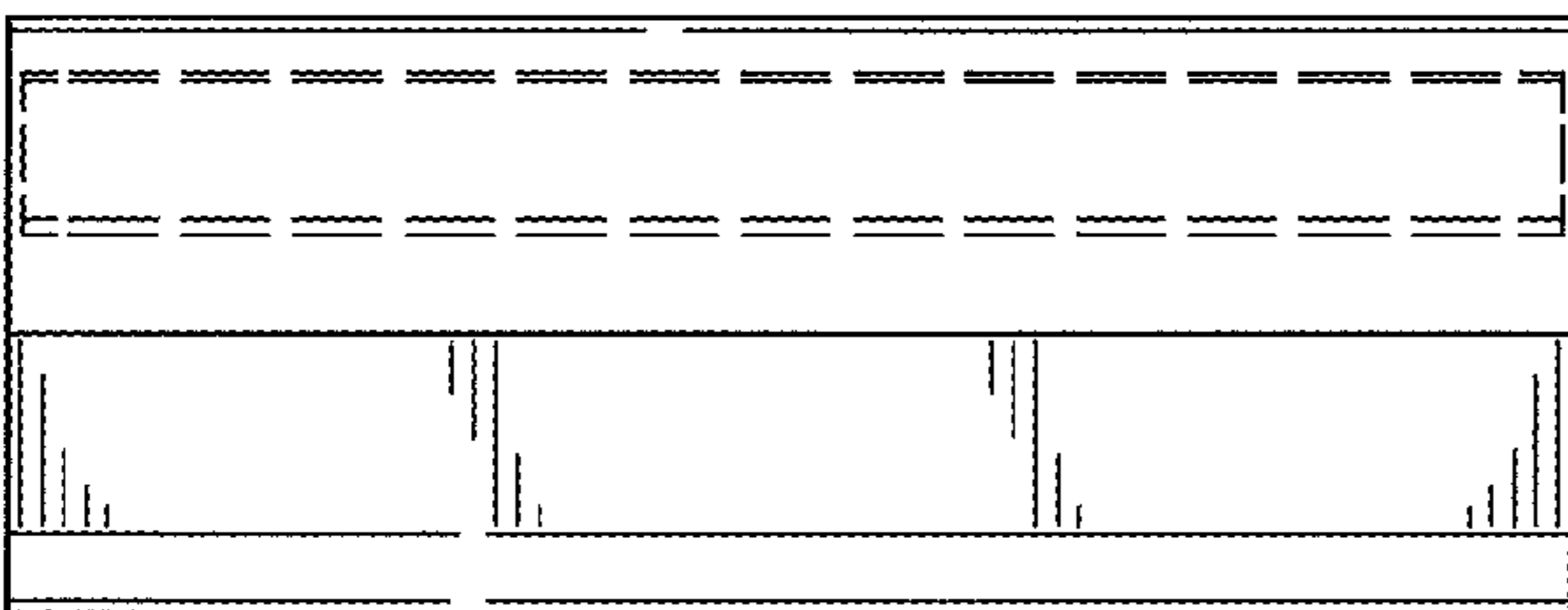


FIG. 5