



US00D748731S

(12) **United States Design Patent**
Kopco

(10) **Patent No.:** **US D748,731 S**
(45) **Date of Patent:** **** Feb. 2, 2016**

- (54) **LABEL HOLDER WITH CLIP**
- (71) Applicant: **James J. Kopco**, Mentor-on-the-Lake, OH (US)
- (72) Inventor: **James J. Kopco**, Mentor-on-the-Lake, OH (US)
- (73) Assignee: **Fasteners For Retail, Inc.**, Twinsburg, OH (US)
- (**) Term: **14 Years**
- (21) Appl. No.: **29/482,795**
- (22) Filed: **Feb. 21, 2014**
- (51) **LOC (10) Cl.** **20-03**
- (52) **U.S. Cl.**
USPC **D20/43**
- (58) **Field of Classification Search**
USPC D20/10, 19, 43, 44, 99; D25/119
CPC G09F 1/10; G09F 3/08; G09F 3/16;
G09F 3/18; G09F 3/20; G09F 3/201; G09F
3/202; G09F 3/203; G09F 3/204; G09F 7/02;
G09F 7/04; G09F 7/08; G09F 7/0218; G09F
7/20; G09F 7/22; G09F 23/10; B42F 19/00;
B42F 21/00; B42F 21/08; B42F 21/065;
B65D 85/00
See application file for complete search history.

D546,892 S *	7/2007	Bruegmann	D20/44
7,316,089 B2 *	1/2008	Brinkman	G09F 3/204 40/343
7,325,348 B2	2/2008	Mueller et al.		
D573,656 S	7/2008	Wamsley		
D607,061 S	12/2009	Kosir		
7,836,621 B2	11/2010	Mueller et al.		
D640,750 S	6/2011	Bird et al.		
D690,367 S *	9/2013	Bruegmann	D20/43
D692,955 S	11/2013	Kopco		
D704,774 S *	5/2014	Kopco	D20/43
8,793,913 B1 *	8/2014	Zobel	G09F 3/204 40/661.03
2002/0129528 A1 *	9/2002	Nagel	G09F 3/20 40/661
2007/0245611 A1 *	10/2007	McDonald	G09F 3/204 40/661.03

OTHER PUBLICATIONS

2014 FFR Total Retail Solutions Catalog, cover page, pp. 54-61, 65 and 145-154.

* cited by examiner

Primary Examiner — Mary Ann Calabrese
(74) *Attorney, Agent, or Firm* — Fay Sharpe LLP

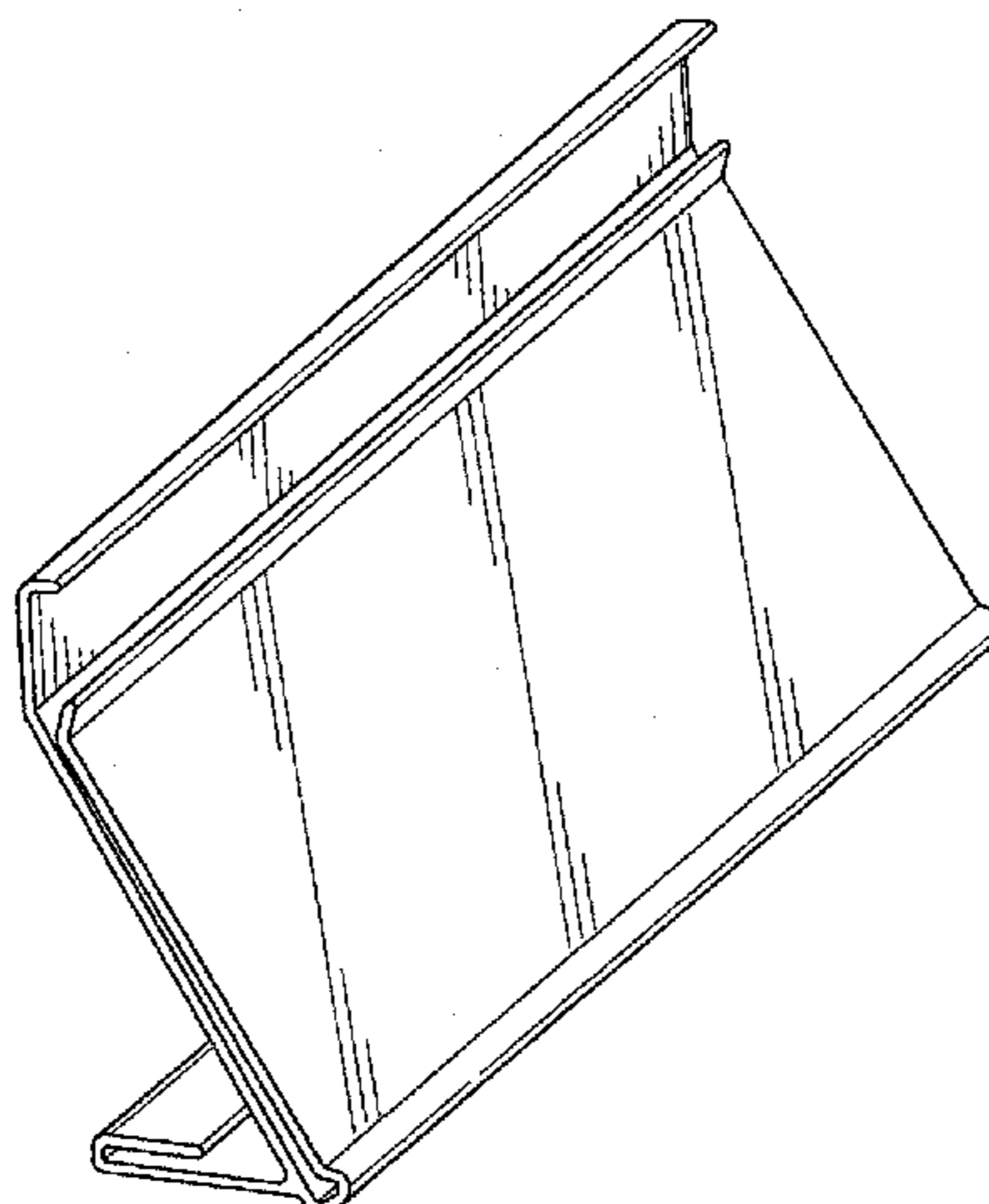
(57) **CLAIM**
The ornamental design for a label holder with clip, as shown and described.

DESCRIPTION

FIG. 1 is a perspective view of a label holder with clip showing my new design;
FIG. 2 is a front elevational view thereof;
FIG. 3 is a rear elevational view thereof;
FIG. 4 is a top plan view thereof;
FIG. 5 is a bottom plan view thereof; and,
FIG. 6 is a left end elevational view thereof, with a right end elevational view being a mirror image thereof.

1 Claim, 2 Drawing Sheets

- (56) **References Cited**
U.S. PATENT DOCUMENTS
- | | | | |
|--------------|---------|----------------|--------------|
| 6,026,603 A | 2/2000 | Kump et al. | |
| D425,566 S | 5/2000 | Mueller et al. | |
| D425,939 S | 5/2000 | Kump et al. | |
| D453,534 S | 2/2002 | Kosir | |
| D480,434 S * | 10/2003 | Brinkman | D20/43 |
| D510,602 S | 10/2005 | Wasilko | |
| D513,280 S | 12/2005 | Kosir | |
| D531,227 S | 10/2006 | Mueller et al. | |



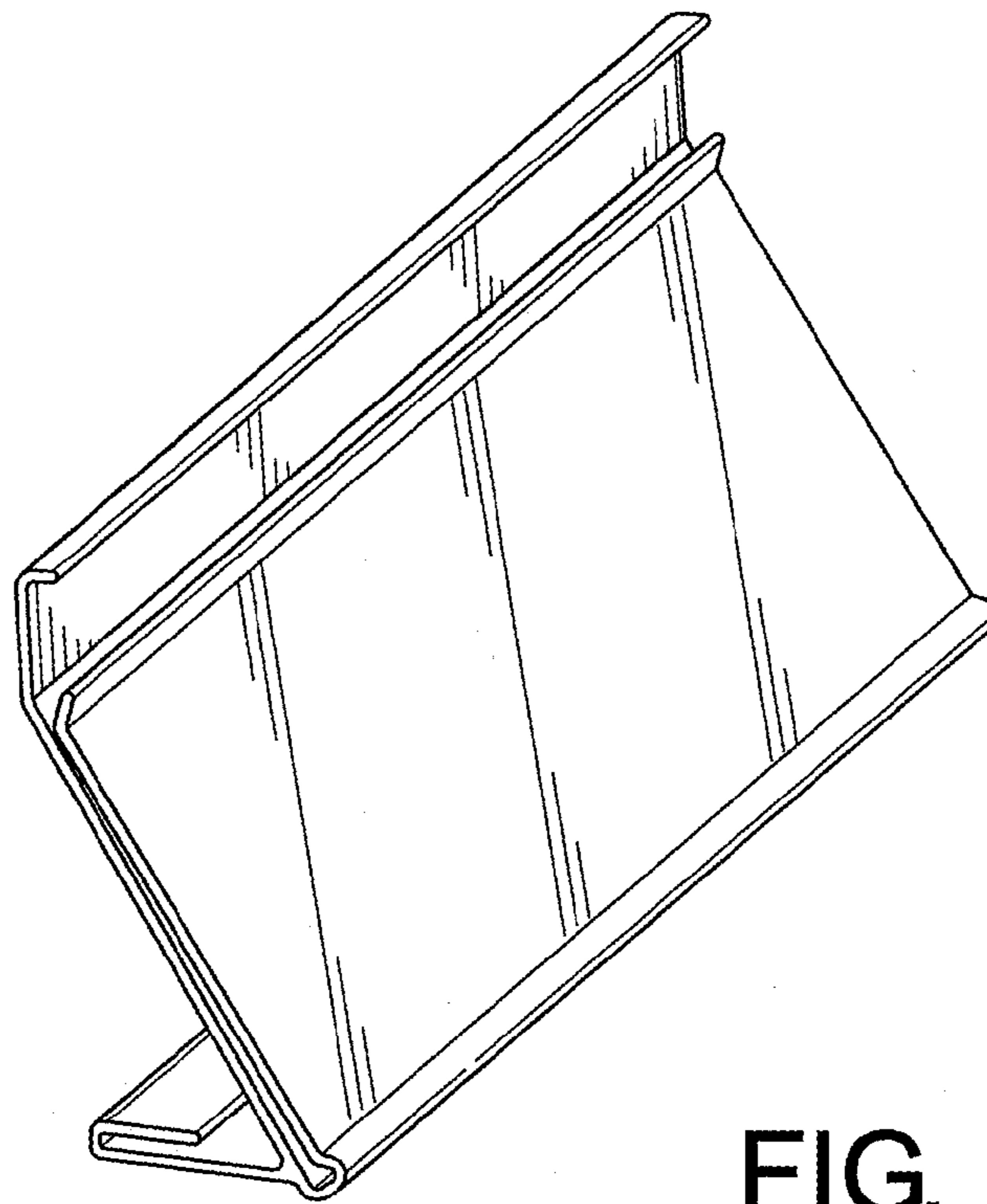


FIG. 1

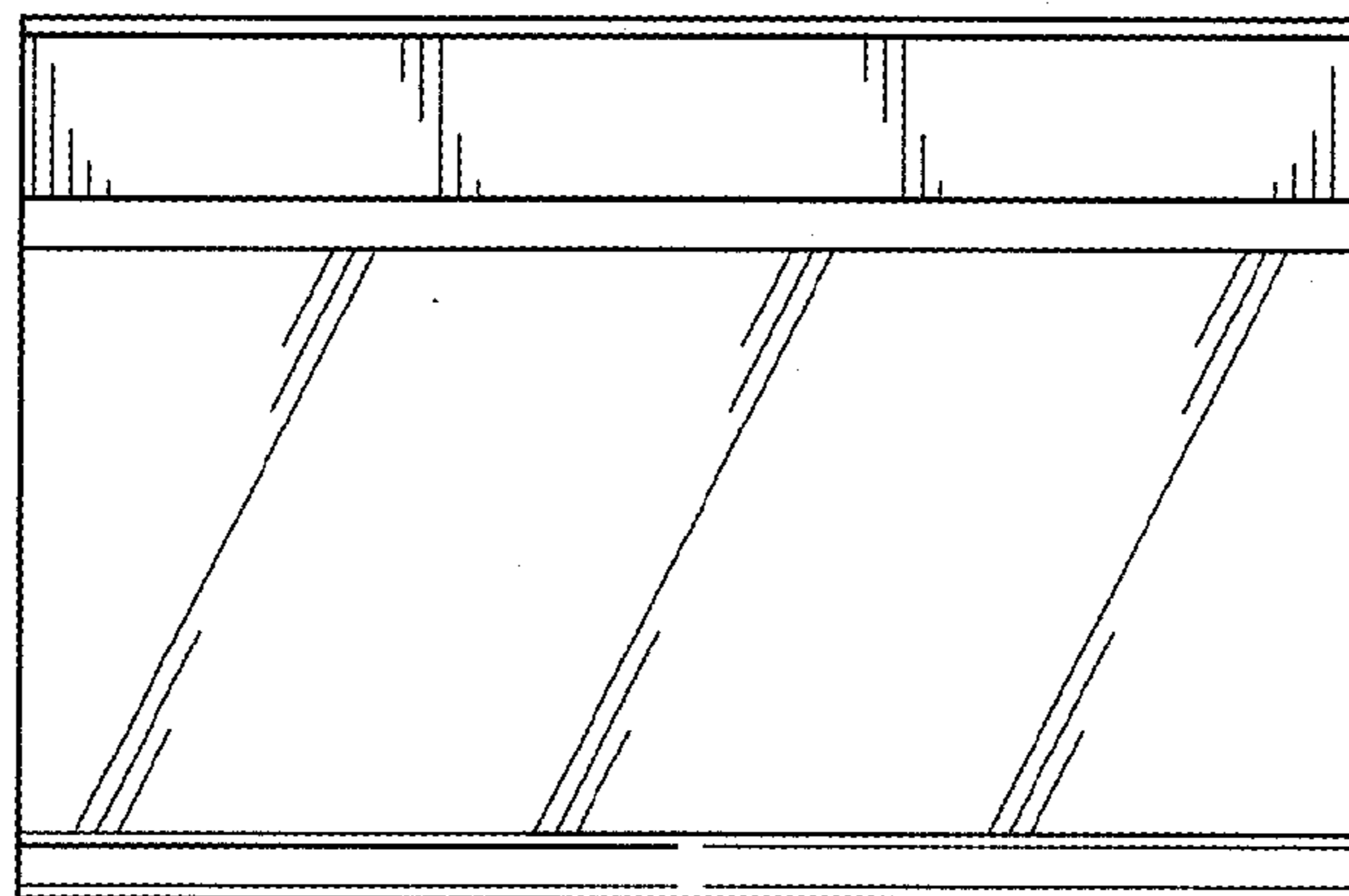


FIG. 2

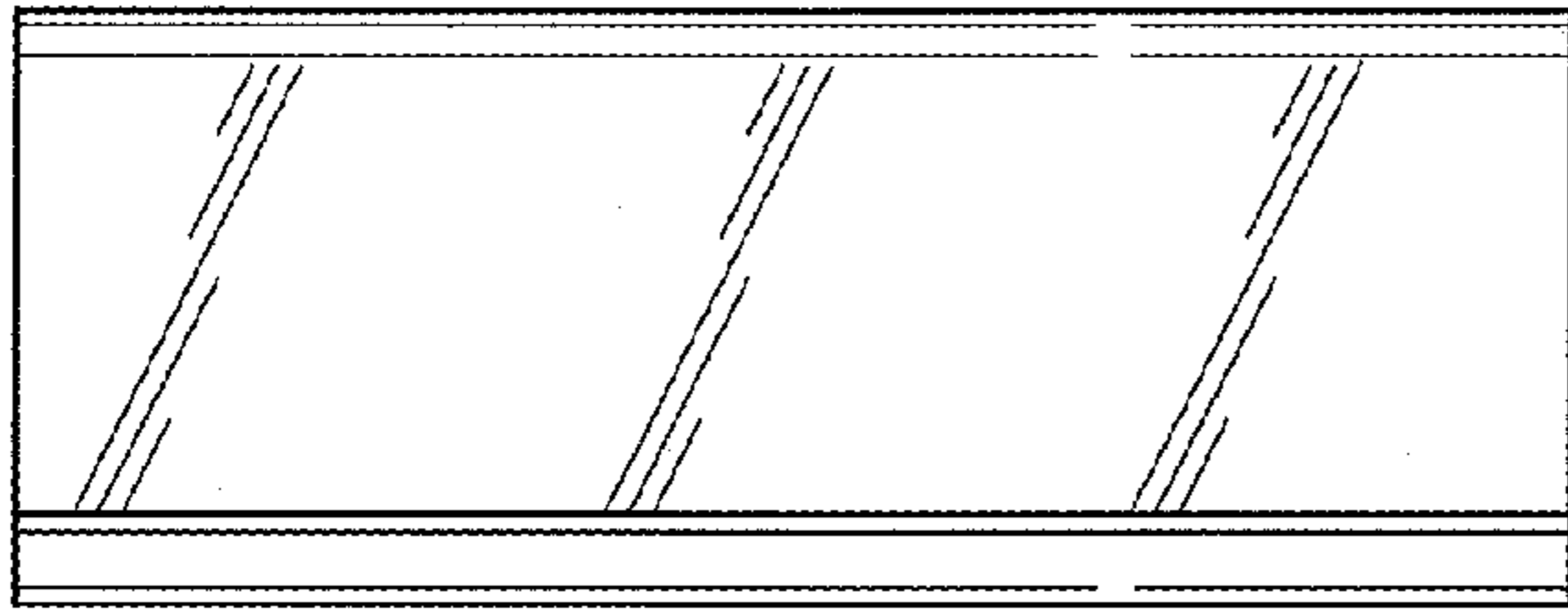


FIG. 4

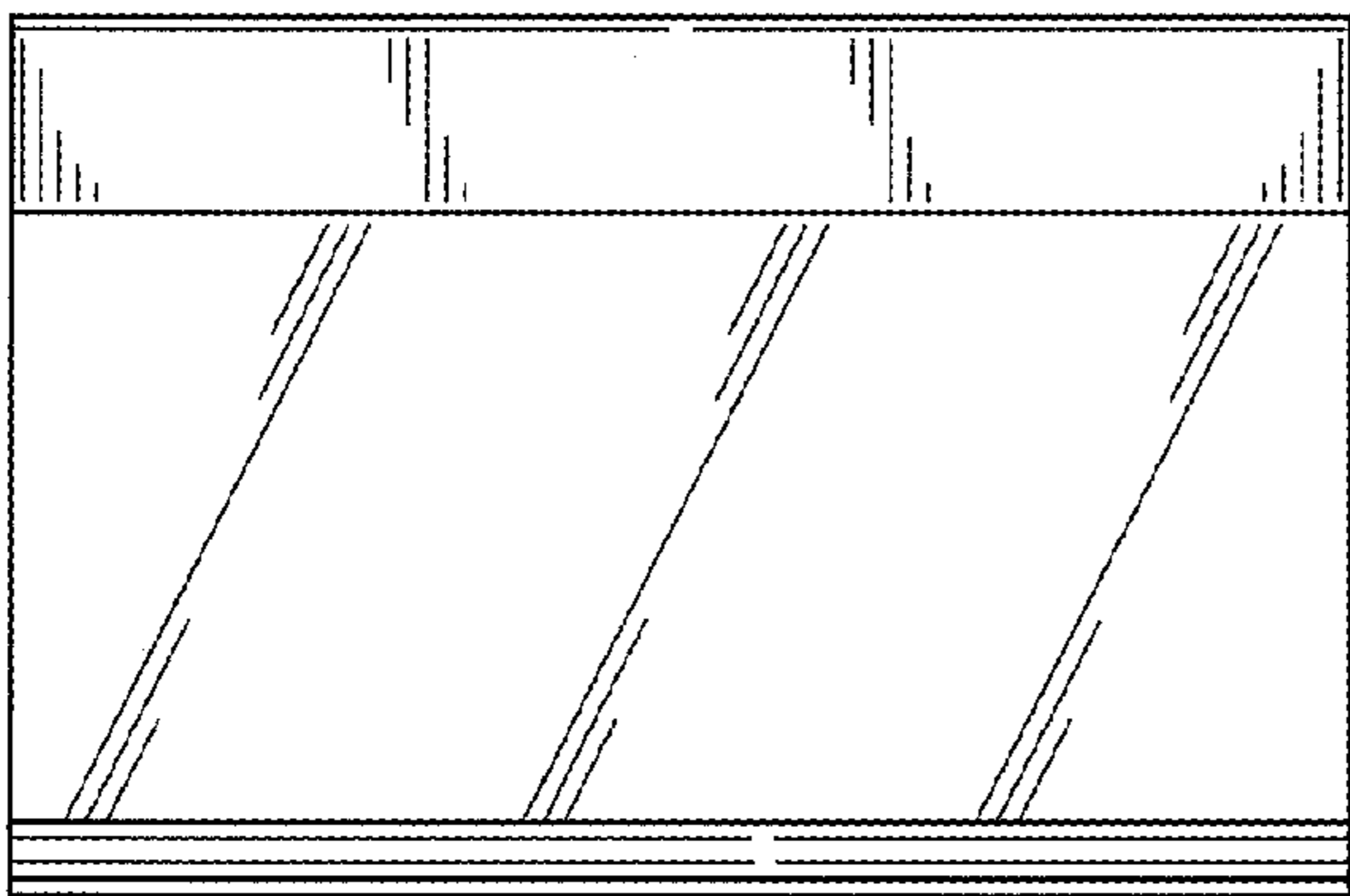


FIG. 3

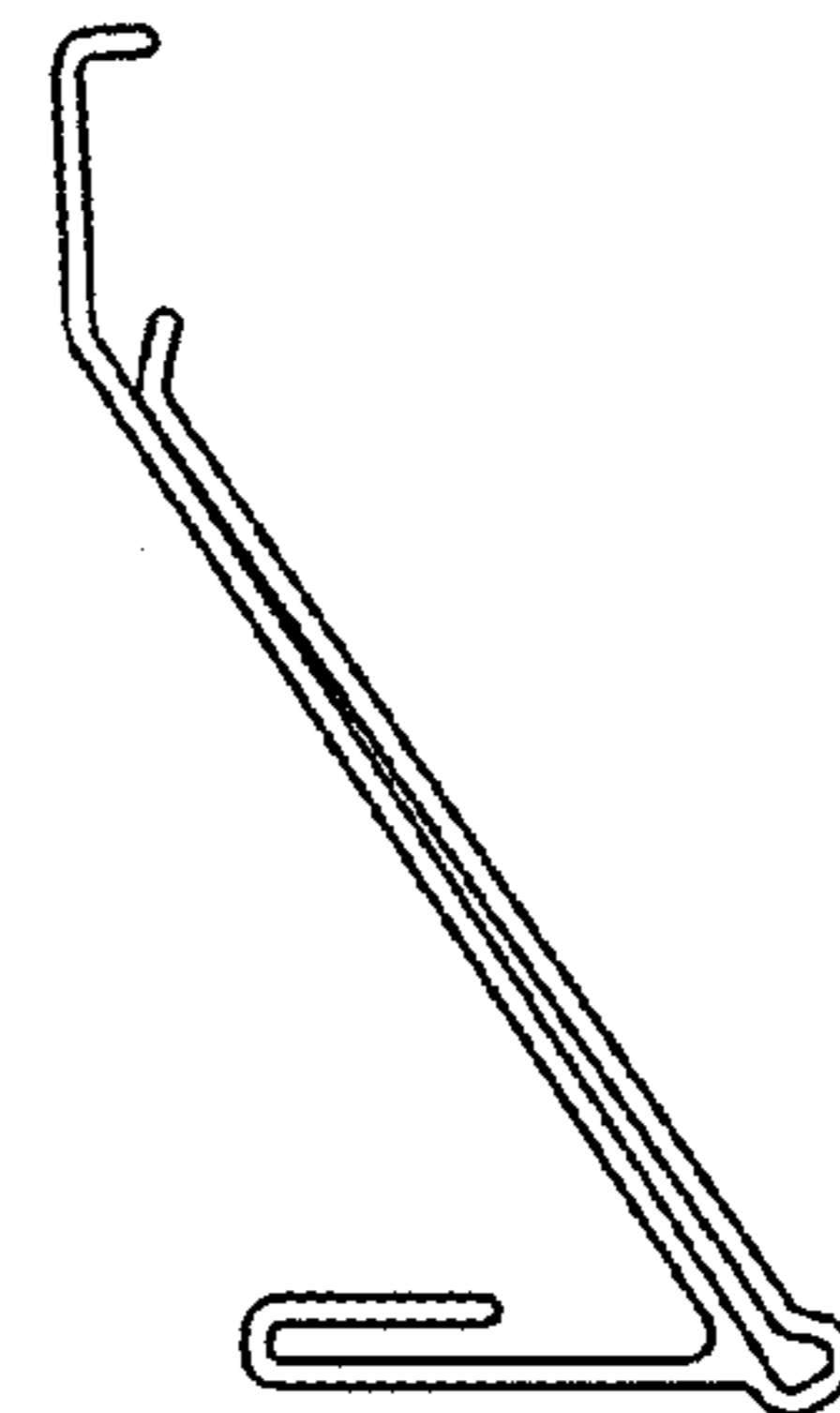


FIG. 6

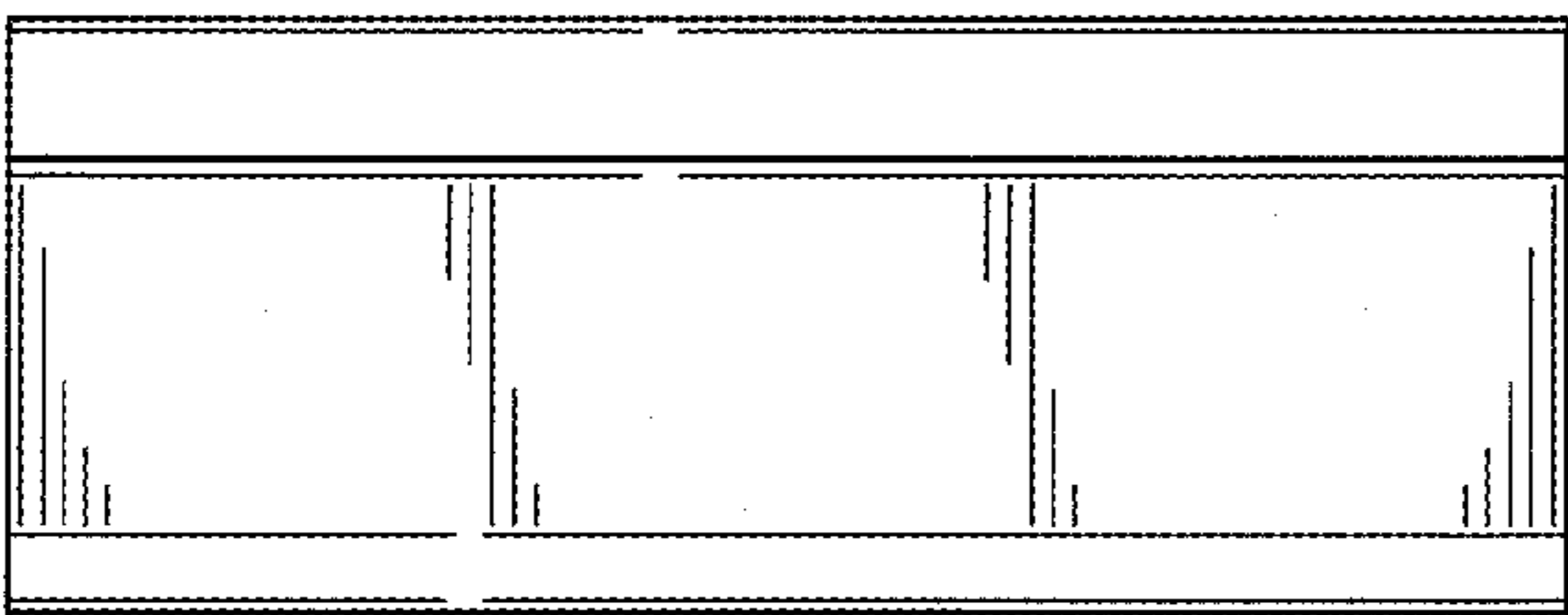


FIG. 5