



US00D748730S

(12) **United States Design Patent**
Kopco

(10) **Patent No.:** **US D748,730 S**
(45) **Date of Patent:** **** Feb. 2, 2016**

- (54) **LABEL HOLDER**
- (71) Applicant: **James J. Kopco**, Mentor-on-the-Lake, OH (US)
- (72) Inventor: **James J. Kopco**, Mentor-on-the-Lake, OH (US)
- (73) Assignee: **Fasteners For Retail, Inc.**, Twinsburg, OH (US)
- (**) Term: **14 Years**
- (21) Appl. No.: **29/482,791**
- (22) Filed: **Feb. 21, 2014**
- (51) **LOC (10) Cl.** **20-03**
- (52) **U.S. Cl.**
USPC **D20/43**
- (58) **Field of Classification Search**
USPC D20/10, 19, 43, 44, 99; D25/119
CPC G09F 1/10; G09F 3/08; G09F 3/16;
G09F 3/18; G09F 3/20; G09F 3/201; G09F
3/202; G09F 3/203; G09F 3/204; G09F 7/02;
G09F 7/04; G09F 7/08; G09F 7/0218; G09F
7/20; G09F 7/22; G09F 23/10; B42F 19/00;
B42F 21/00; B42F 21/08; B42F 21/065;
B65D 85/00
See application file for complete search history.

7,316,089	B2 *	1/2008	Brinkman	G09F 3/204 40/343
7,325,348	B2	2/2008	Mueller et al.	
D573,656	S	7/2008	Wamsley	
D607,061	S	12/2009	Kosir	
7,836,621	B2	11/2010	Mueller et al.	
D640,750	S	6/2011	Bird et al.	
D690,367	S *	9/2013	Bruegmann	D20/43
D692,955	S	11/2013	Kopco	
D704,774	S *	5/2014	Kopco	D20/43
8,793,913	B1 *	8/2014	Zobel	G09F 3/204 40/661.03
2002/0129528	A1 *	9/2002	Nagel	G09F 3/20 40/661
2007/0245611	A1 *	10/2007	McDonald	G09F 3/204 40/661.03

OTHER PUBLICATIONS

2014 FFR Total Retail Solutions Catalog, cover page, pp. 54-61, 65 and 145-154.

* cited by examiner

Primary Examiner — Mary Ann Calabrese

(74) *Attorney, Agent, or Firm* — Fay Sharpe LLP

(57) **CLAIM**

The ornamental design for a label holder, as shown and described.

DESCRIPTION

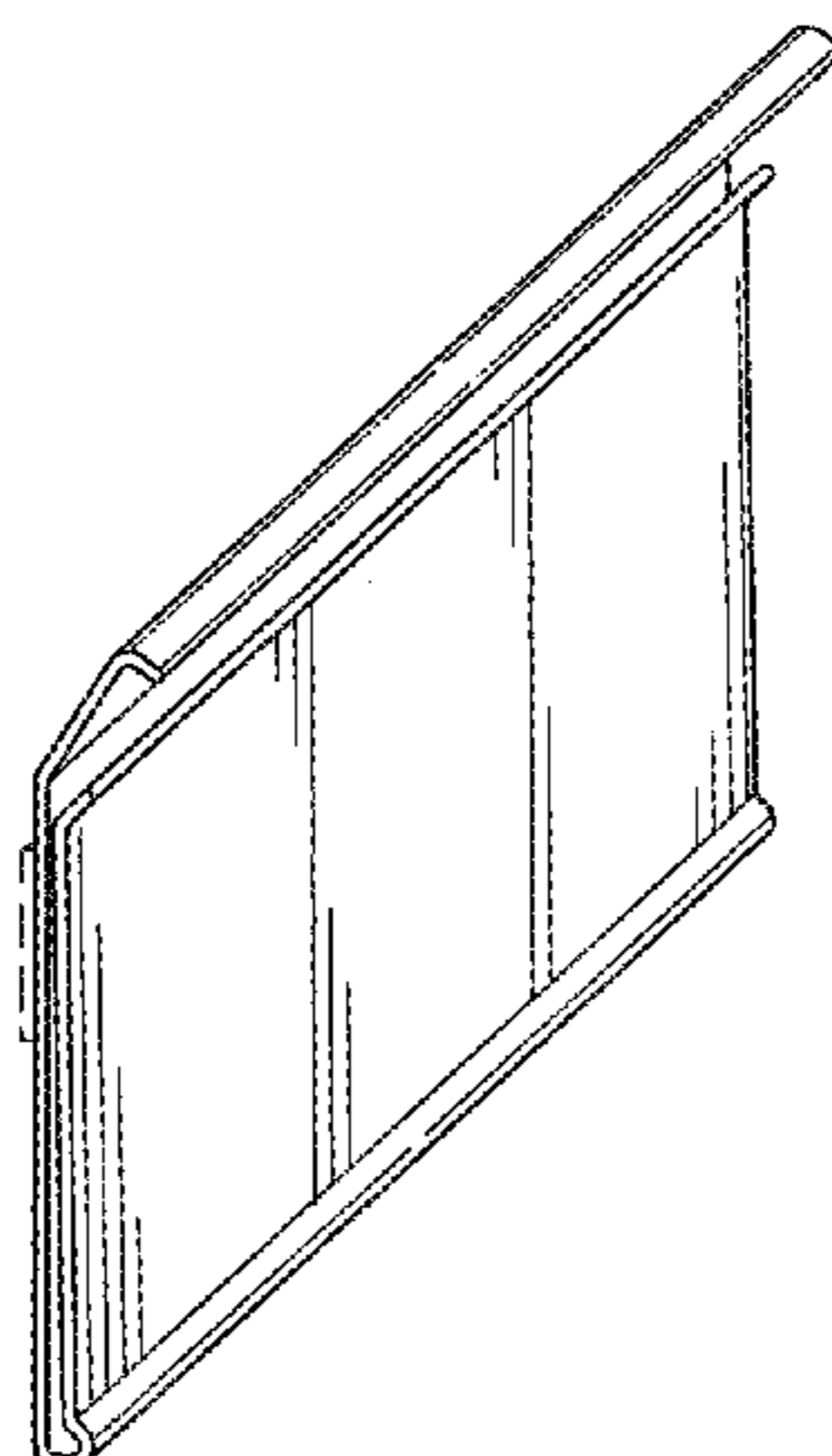
FIG. 1 is a perspective view of a label holder showing my new design;
 FIG. 2 is a front elevational view thereof;
 FIG. 3 is a rear elevational view thereof;
 FIG. 4 is a top plan view thereof;
 FIG. 5 is a bottom plan view thereof; and,
 FIG. 6 is a left side elevational view thereof, with a right side elevational view being a mirror image thereof.
 The parts shown in broken lines in FIGS. 1 and 3-6 form no part of the claimed design.

(56) **References Cited**

U.S. PATENT DOCUMENTS

6,026,603	A	2/2000	Kump et al.	
D425,566	S	5/2000	Mueller et al.	
D425,939	S	5/2000	Kump et al.	
D453,534	S	2/2002	Kosir	
D480,434	S *	10/2003	Brinkman	D20/43
D510,602	S	10/2005	Wasilko	
D513,280	S	12/2005	Kosir	
D531,227	S	10/2006	Mueller et al.	
D546,892	S *	7/2007	Bruegmann	D20/44

1 Claim, 1 Drawing Sheet



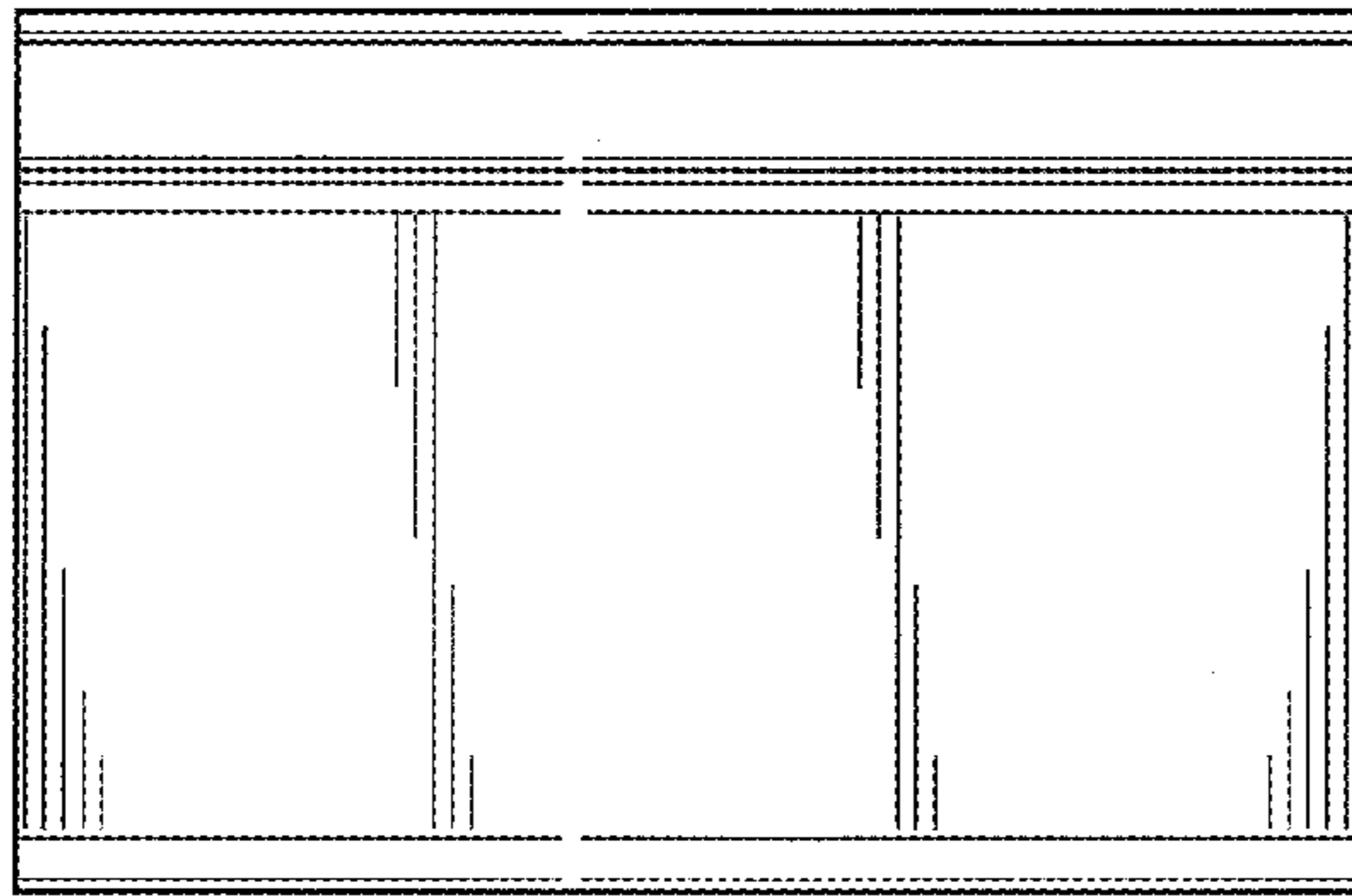


FIG. 2

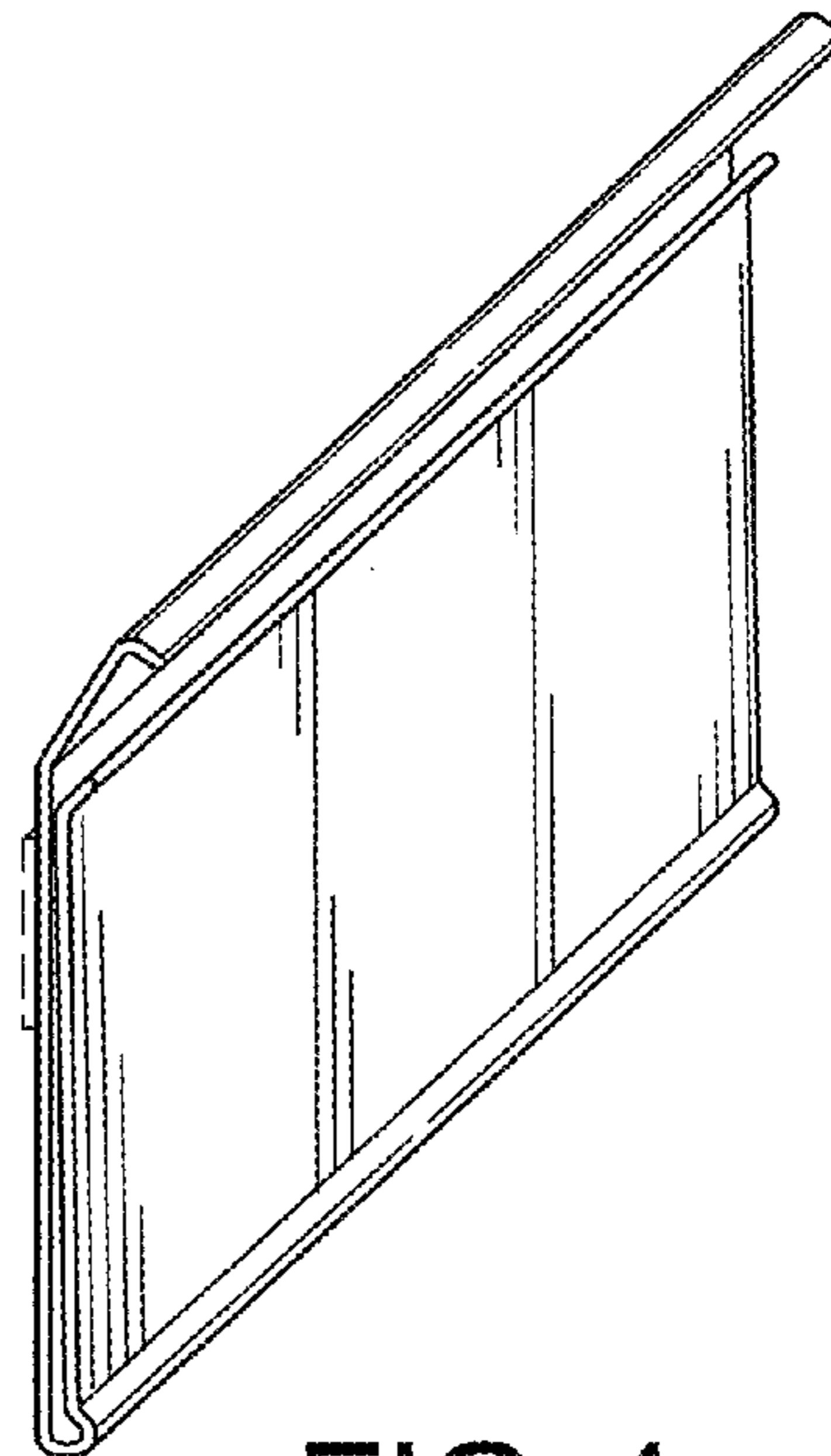


FIG. 1

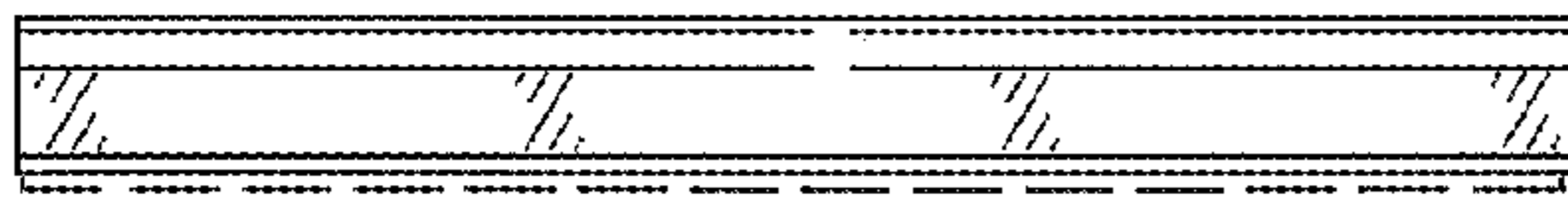


FIG. 4

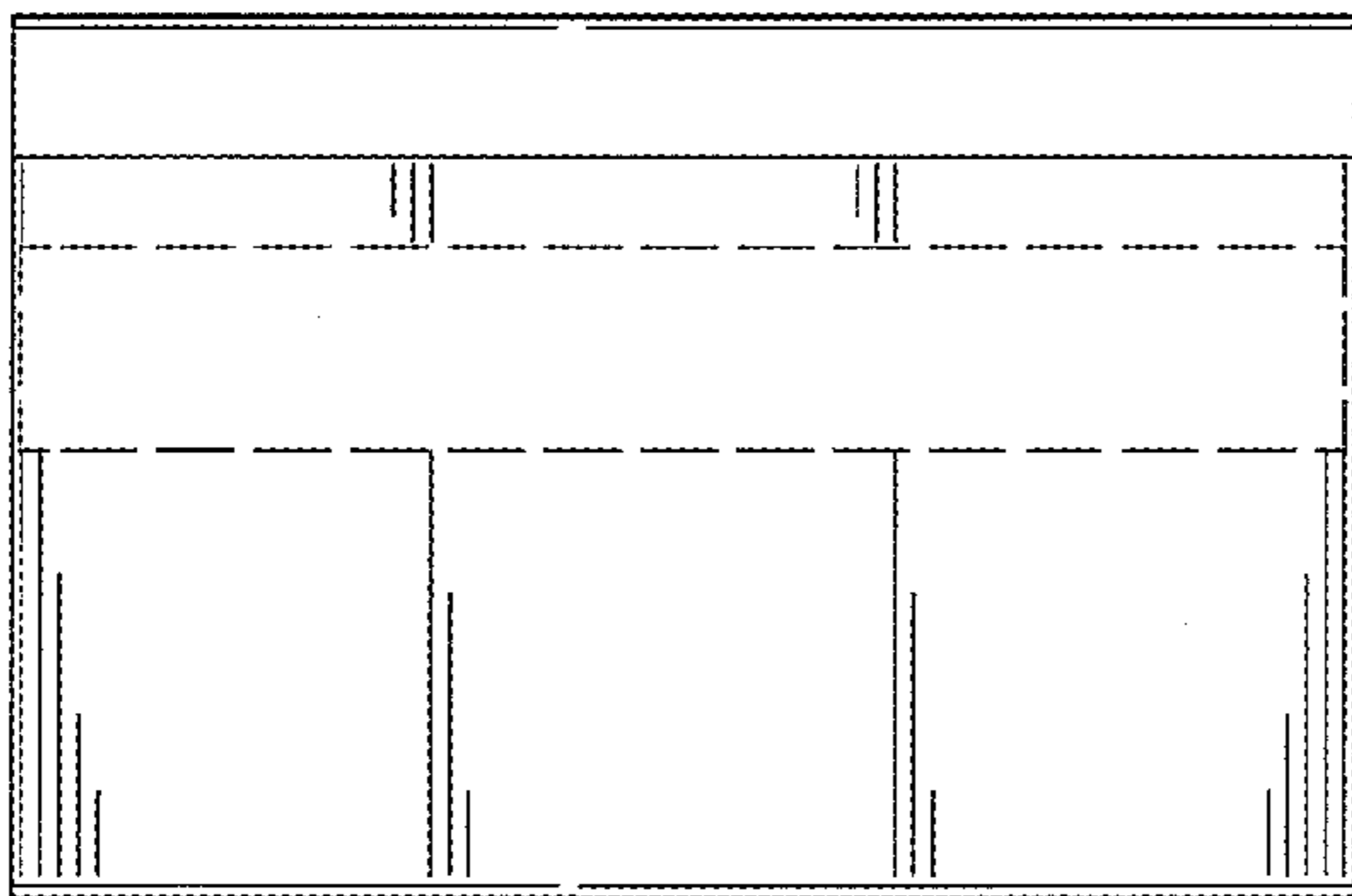


FIG. 3



FIG. 6

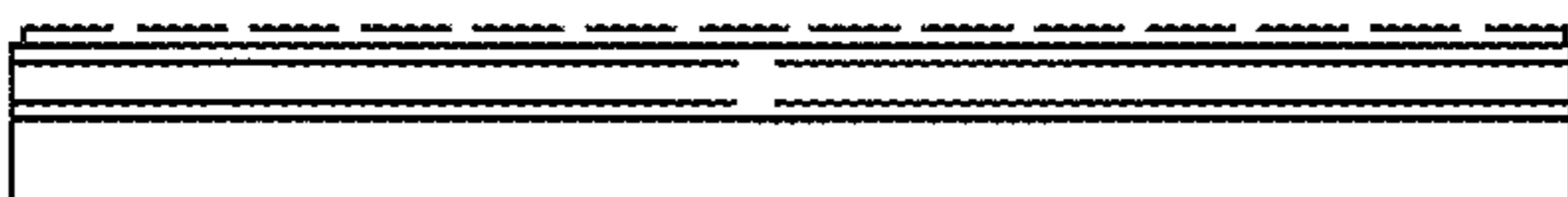


FIG. 5