



US00D748727S

(12) **United States Design Patent**  
**Fan**

(10) **Patent No.:** **US D748,727 S**

(45) **Date of Patent:** **\*\* Feb. 2, 2016**

(54) **BALLPOINT PEN**

(71) Applicant: **Klio-Eterna Schreibgerate GmbH & Co KG**, Wolfach (DE)

(72) Inventor: **Lin Fan**, Guangzhou (CN)

(73) Assignee: **Klio-Eterna Schreibgerate GmbH & Co KG**, Wolfach (DE)

(\*\*) Term: **14 Years**

(21) Appl. No.: **29/503,164**

(22) Filed: **Sep. 24, 2014**

(30) **Foreign Application Priority Data**

Mar. 27, 2014 (EM) ..... 001407399-0001

(51) **LOC (10) Cl.** ..... **19-06**

(52) **U.S. Cl.**  
USPC ..... **D19/172**

(58) **Field of Classification Search**  
USPC ..... D14/411; D19/115-204  
CPC ..... B43K 5/005; B43K 7/00; B43K 7/10;  
B43K 7/12; B43K 8/04; B43K 19/00; B43K  
19/14; B43K 23/00; B43K 23/001; B43K  
23/016; B43K 24/08; B43K 24/084  
See application file for complete search history.

(56) **References Cited**

**U.S. PATENT DOCUMENTS**

D181,145 S \* 10/1957 Harper et al. .... D19/172  
D258,219 S \* 2/1981 Oka ..... D19/173

D374,893 S \* 10/1996 Yazawa ..... D19/171  
D483,065 S \* 12/2003 Cetera ..... D14/411  
D489,089 S \* 4/2004 Losel ..... D19/174  
D490,851 S \* 6/2004 Losel ..... D19/174  
D508,083 S \* 8/2005 Cetera ..... D19/174  
D512,741 S \* 12/2005 Cetera ..... D19/174  
D540,385 S \* 4/2007 Qiu ..... D19/170  
D546,880 S \* 7/2007 Slemp ..... D19/174  
D548,787 S \* 8/2007 Slemp ..... D19/174  
D550,281 S \* 9/2007 Tien ..... D19/174  
D552,174 S \* 10/2007 Tien ..... D19/174  
D552,676 S \* 10/2007 Tien ..... D19/172  
D565,102 S \* 3/2008 Anand ..... D19/172  
D646,716 S \* 10/2011 Losel ..... D19/174  
D648,387 S \* 11/2011 Liang ..... D19/172  
D695,342 S \* 12/2013 Fischer ..... D19/174  
D718,387 S \* 11/2014 Kim ..... D19/172

\* cited by examiner

*Primary Examiner* — Elizabeth Albert

(74) *Attorney, Agent, or Firm* — Volpe and Koenig, P.C.

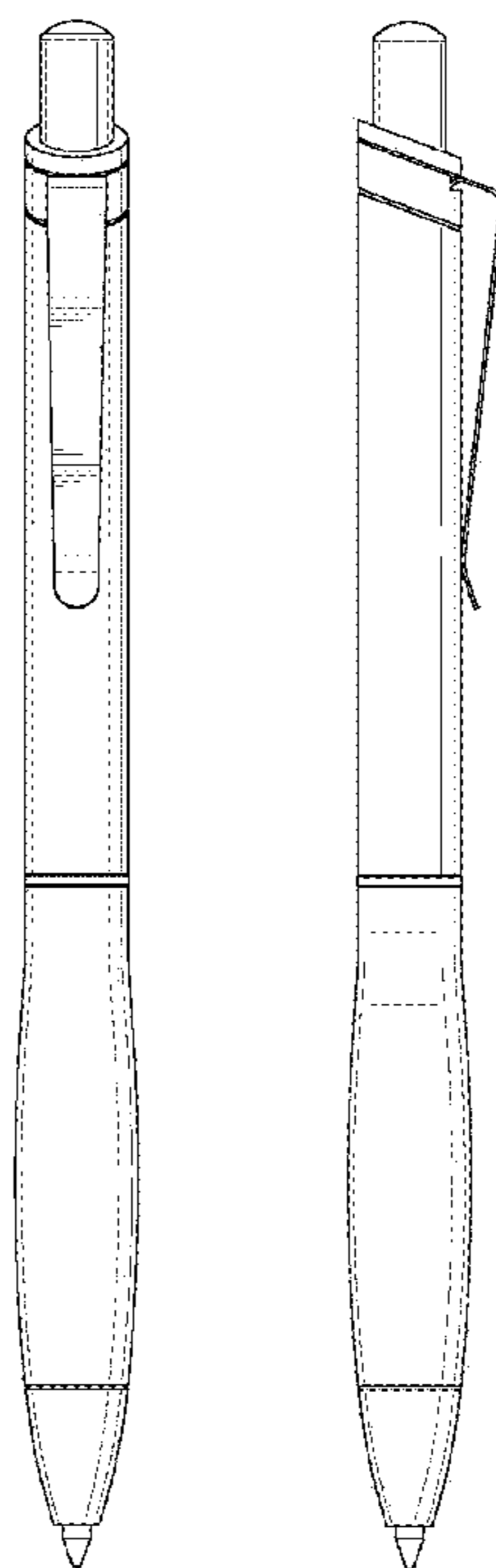
(57) **CLAIM**

The ornamental design for a ballpoint pen, as shown and described.

**DESCRIPTION**

FIG. 1 is a top, front, left perspective view of a ballpoint pen in accordance with my design;  
FIG. 2 is a front elevational view thereof;  
FIG. 3 is a rear elevational view thereof;  
FIG. 4 is a right side elevational view thereof;  
FIG. 5 is a left side elevational view thereof;  
FIG. 6 is a top plan view thereof; and,  
FIG. 7 is a bottom view thereof.

**1 Claim, 6 Drawing Sheets**



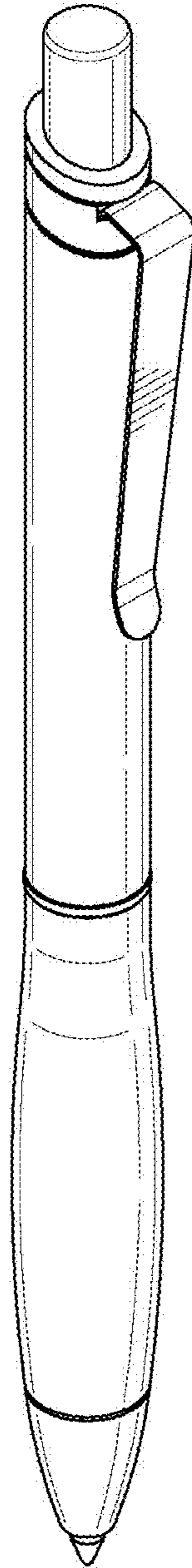


Fig. 1

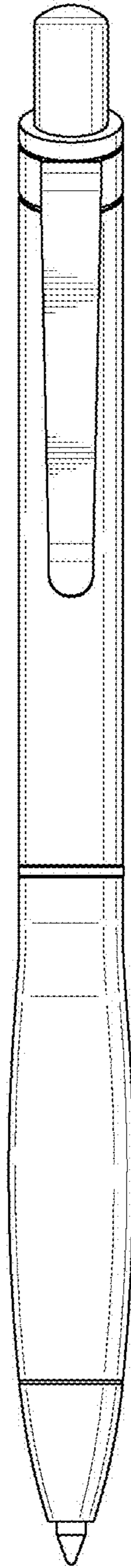


Fig. 2

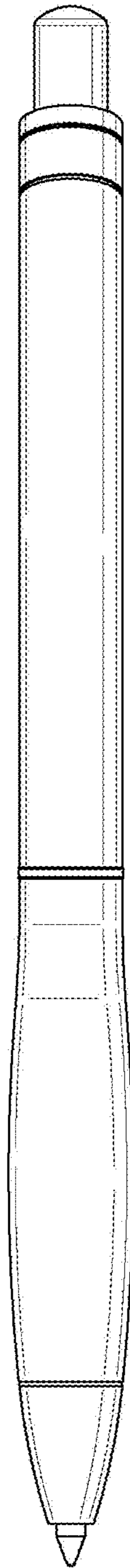


Fig. 3

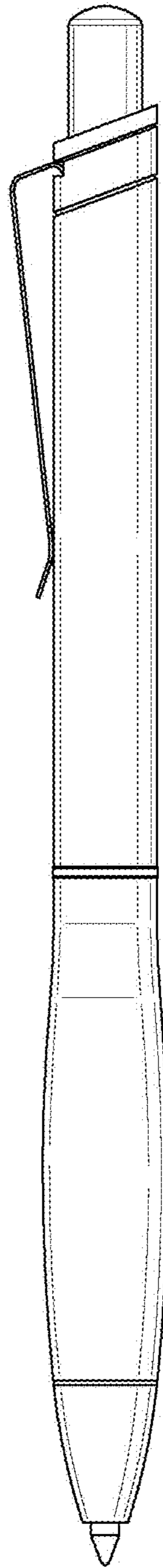


Fig. 4

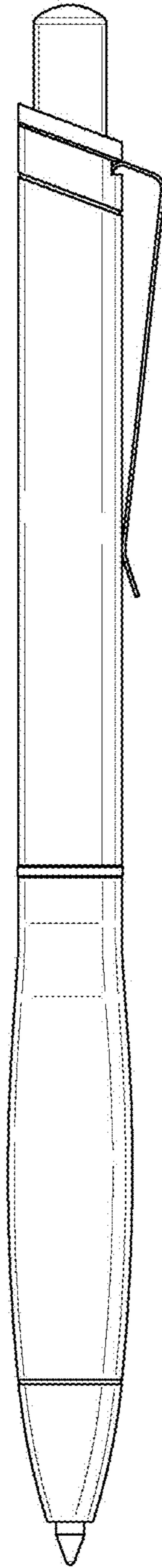


Fig. 5

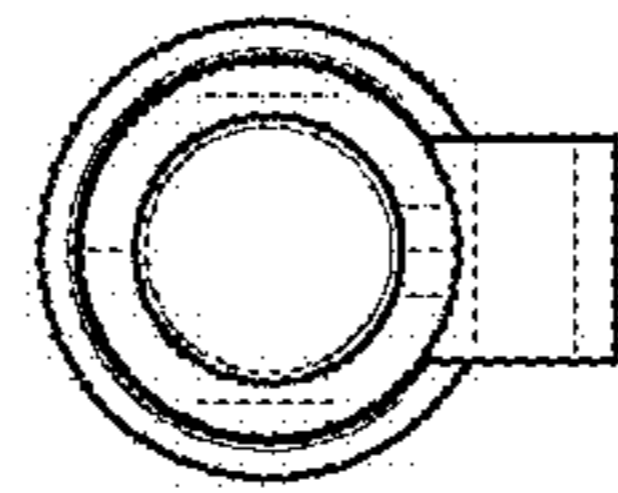


Fig. 6

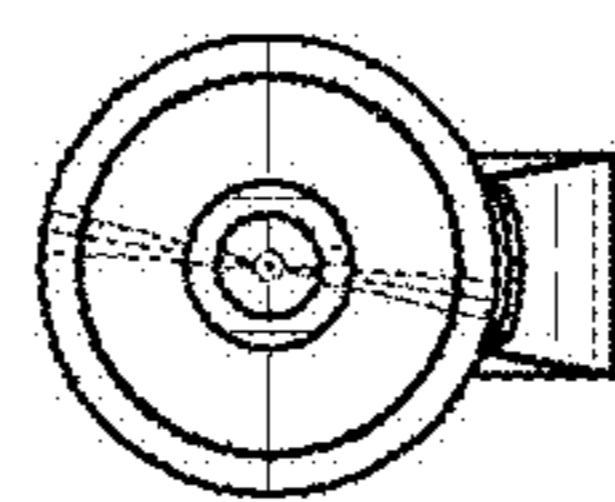


Fig. 7