



US00D748723S

(12) **United States Design Patent**  
**Lee**

(10) **Patent No.:** **US D748,723 S**  
(45) **Date of Patent:** **\*\* Feb. 2, 2016**

(54) **PRINTER**

(71) Applicant: **SAMSUNG ELECTRONICS CO., LTD.**, Suwon-si (KR)

(72) Inventor: **Sang-In Lee**, Seongnam-si (KR)

(73) Assignee: **SAMSUNG ELECTRONICS CO., LTD.** (KR)

(\*\*) Term: **14 Years**

(21) Appl. No.: **29/483,239**

(22) Filed: **Feb. 26, 2014**

(30) **Foreign Application Priority Data**

Sep. 16, 2013 (KR) ..... 30-2013-0047806

(51) **LOC (10) Cl.** ..... **14-02**

(52) **U.S. Cl.**  
USPC ..... **D18/50; D18/56**

(58) **Field of Classification Search**  
USPC ..... D18/36-39, 14, 19, 50, 53, 54, 54.1, 55, D18/56; D14/420-425, 462-470; 400/613, 400/613.1-613.4, 690.1-690.4, 691-694  
See application file for complete search history.

(56) **References Cited**

**U.S. PATENT DOCUMENTS**

D337,601 S *	7/1993	Smith et al.	.....	D18/54.1
D442,273 S *	5/2001	Pestell	.....	D23/393
D491,594 S *	6/2004	Senda	.....	D16/219
7,044,852 B2 *	5/2006	Horton	.....	454/365
D558,260 S *	12/2007	Schwiebert et al.	.....	D18/50
D574,947 S *	8/2008	Grisham et al.	.....	D23/393
D584,348 S *	1/2009	Boo et al.	.....	D18/55

D601,186 S *	9/2009	Kim et al.	.....	D18/55
D605,626 S *	12/2009	Park	.....	D14/203.7
D607,928 S *	1/2010	Kim et al.	.....	D18/55
D622,761 S *	8/2010	Kim et al.	.....	D18/53
D633,139 S *	2/2011	Park et al.	.....	D18/55
D641,395 S *	7/2011	Park et al.	.....	D18/55
D671,949 S *	12/2012	Jeon et al.	.....	D14/447
D719,167 S *	12/2014	Brown et al.	.....	D14/420
2006/0104655 A1 *	5/2006	Learmonth et al.	.....	399/75

\* cited by examiner

*Primary Examiner* — Cathy Anne MacCormac

(74) *Attorney, Agent, or Firm* — Cantor Colburn LLP

(57) **CLAIM**

The ornamental design for a printer, as shown and described.

**DESCRIPTION**

FIG. 1 is a front perspective view of a printer showing my new design;

FIG. 2 is a front view thereof;

FIG. 3 is a rear view thereof;

FIG. 4 is a side view thereof;

FIG. 5 is another side view thereof;

FIG. 6 is a top view thereof;

FIG. 7 is a bottom view thereof;

FIG. 8 is a partial enlarged view of the encircled portion 8 as shown in FIG. 1; and,

FIG. 9 is a partial cross sectional view taken along line 9-9 in FIG. 6.

The broken lines depict environmental subject matter and form no part of the claimed design. The dot-dash lines on FIGS. 1, 8 and 9 encircling portions of the claimed design form no part of the claimed design.

**1 Claim, 5 Drawing Sheets**

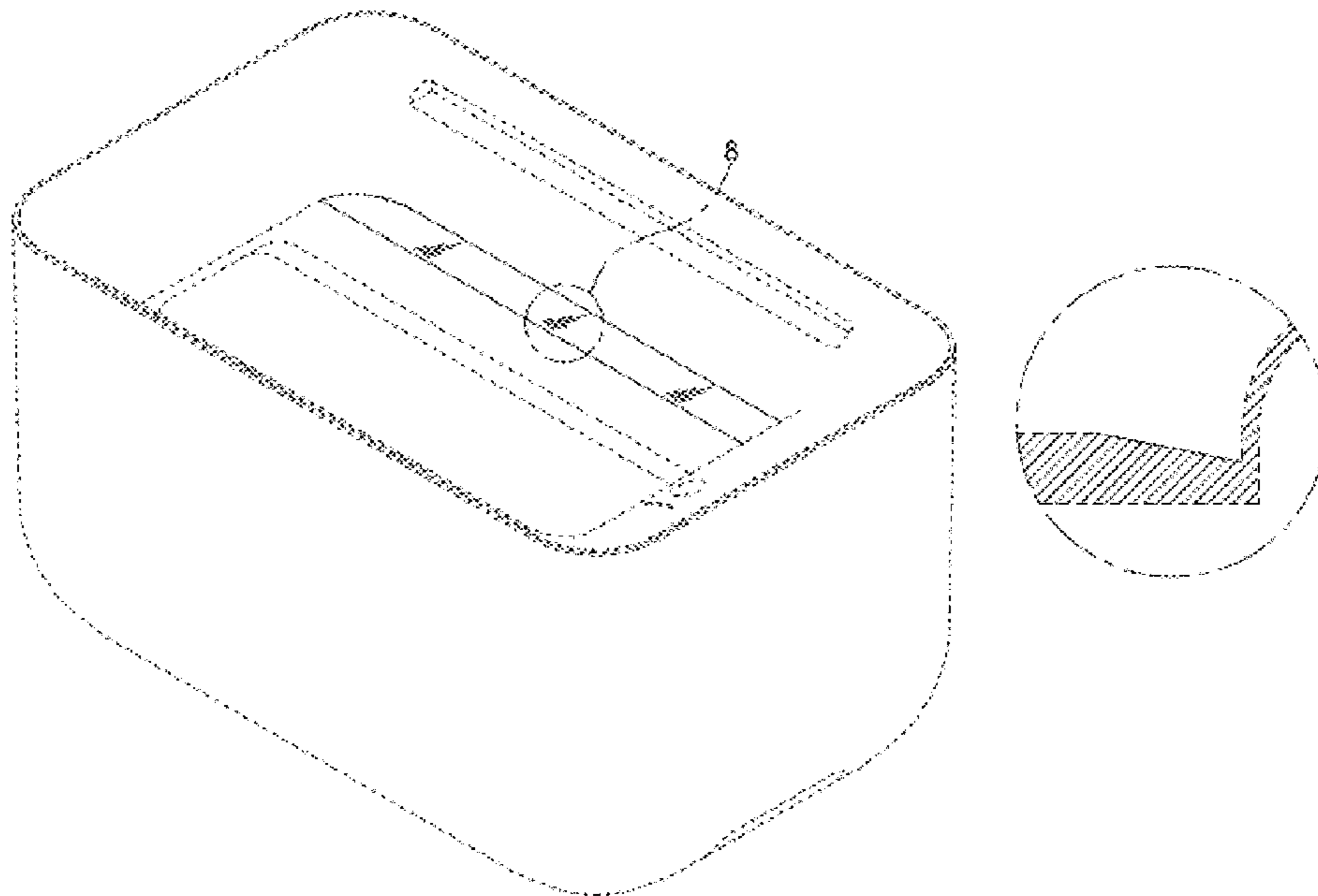


FIG.1

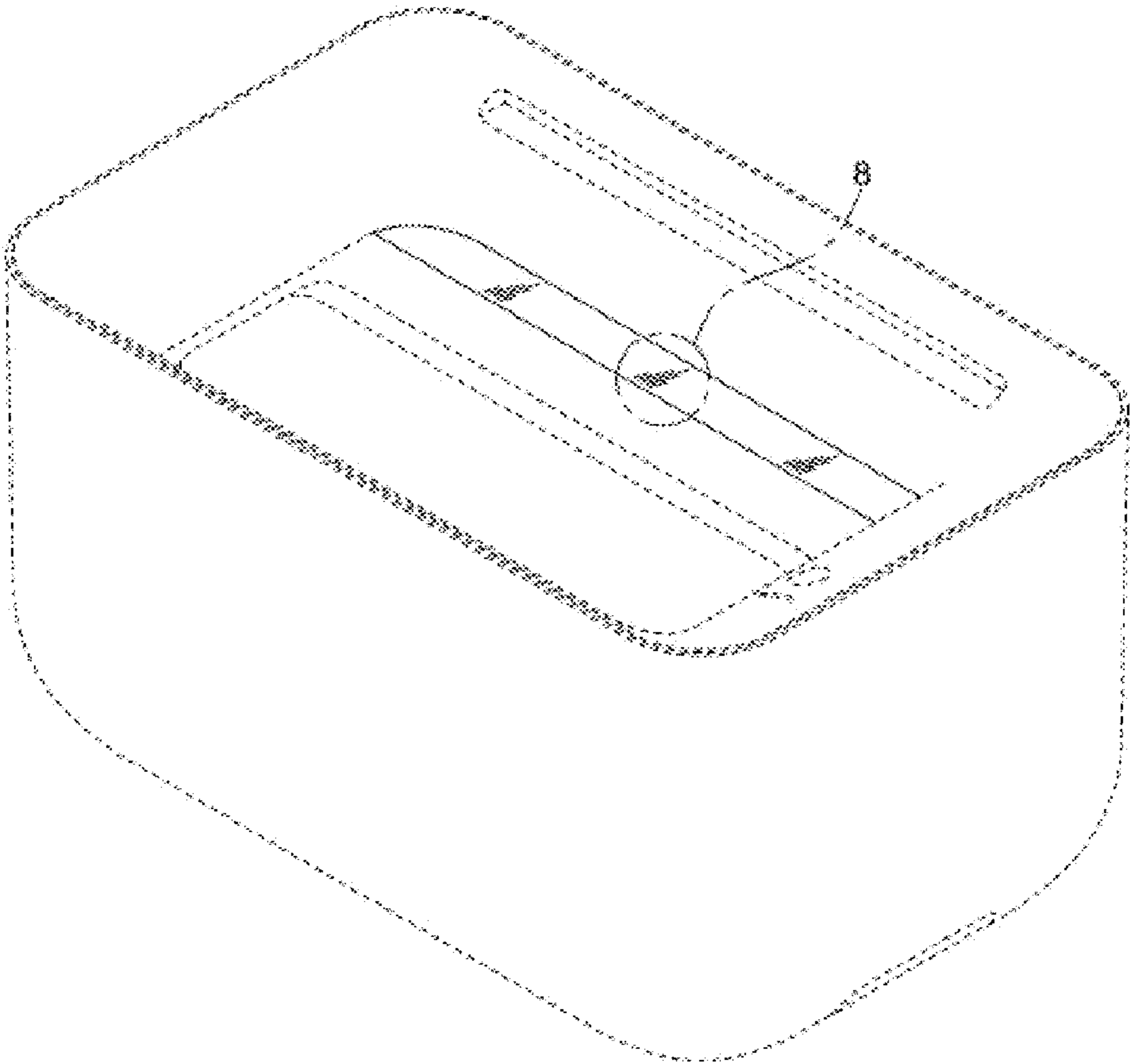


FIG.2

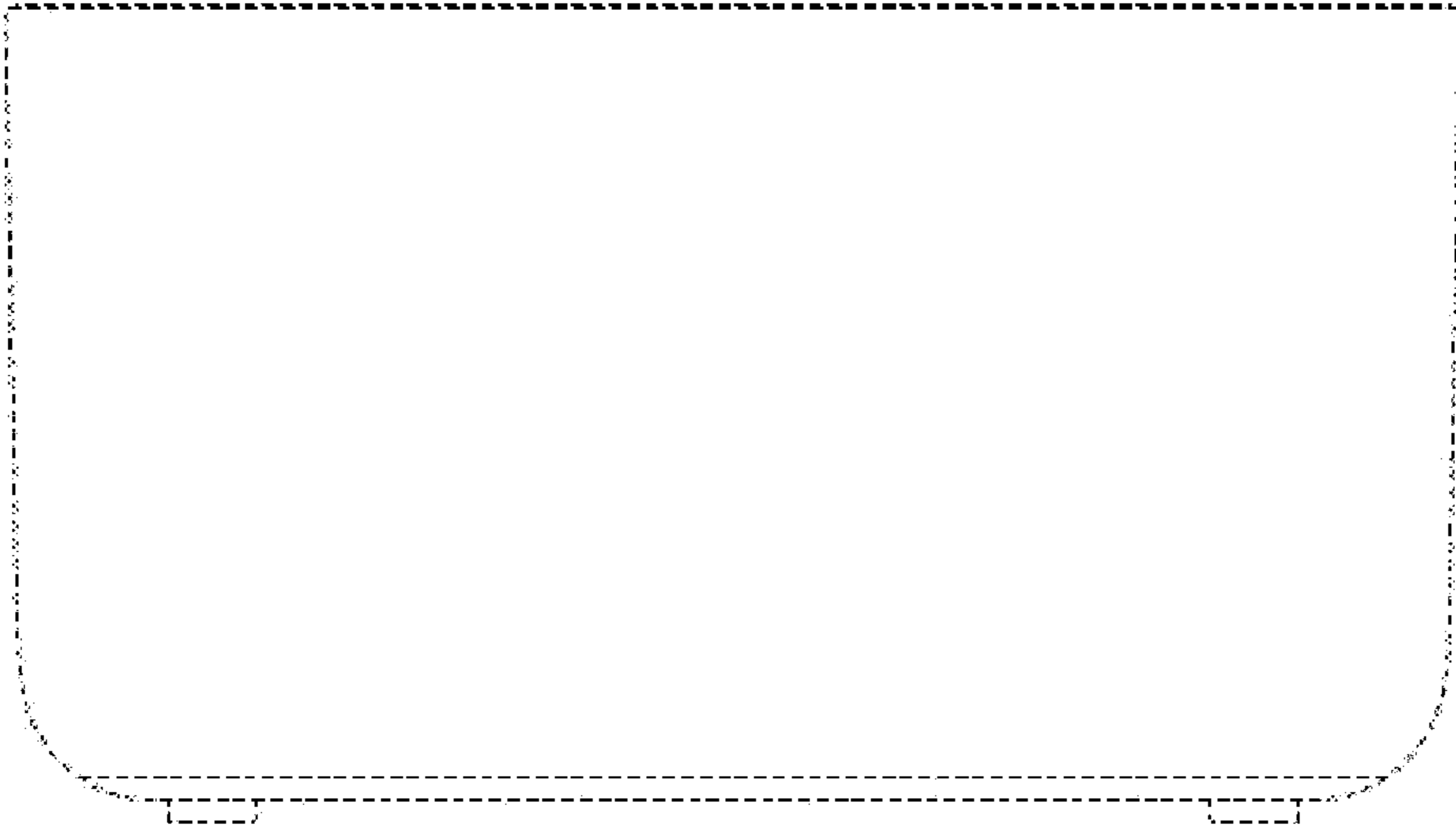


FIG.3

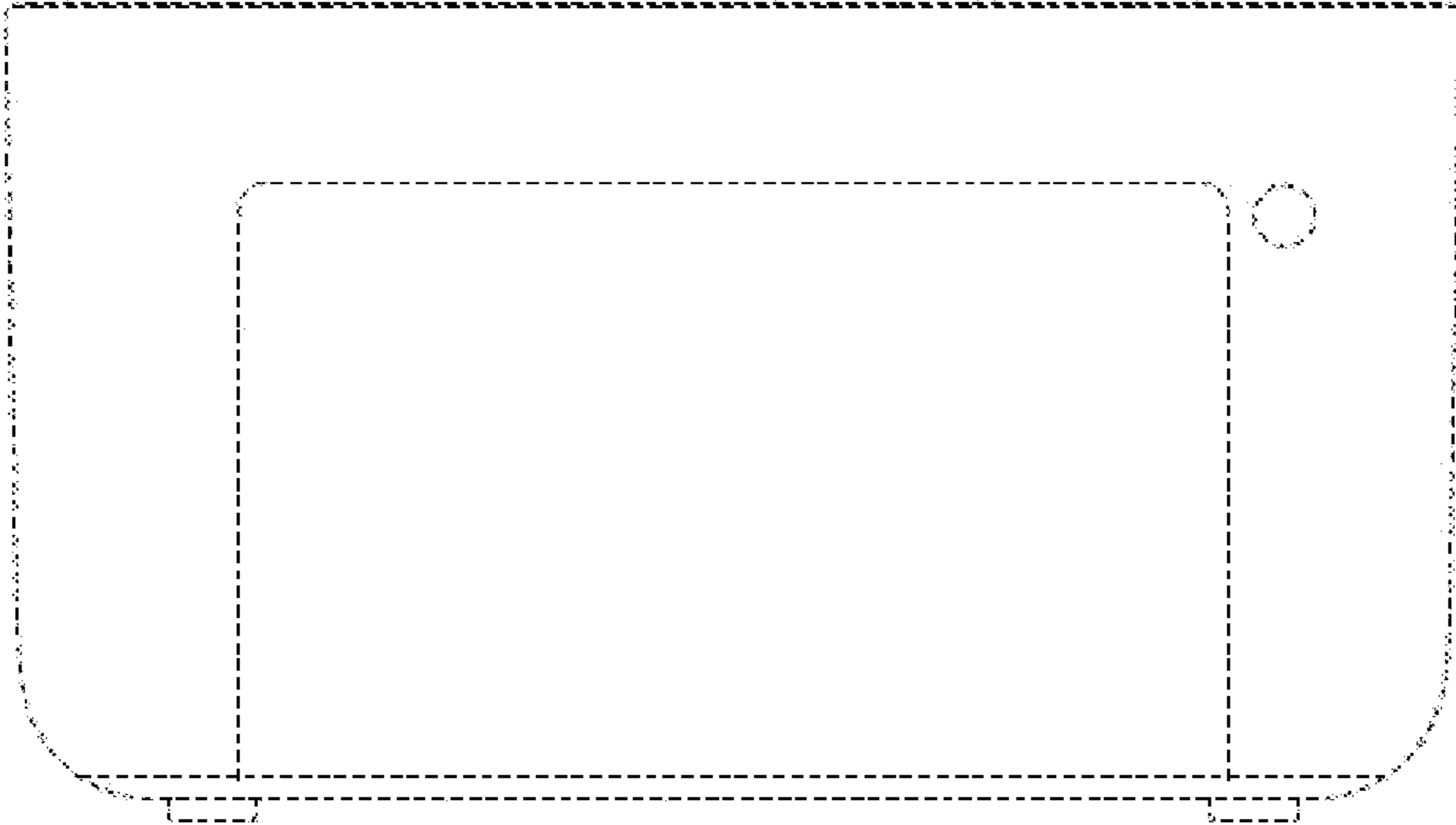


FIG.4

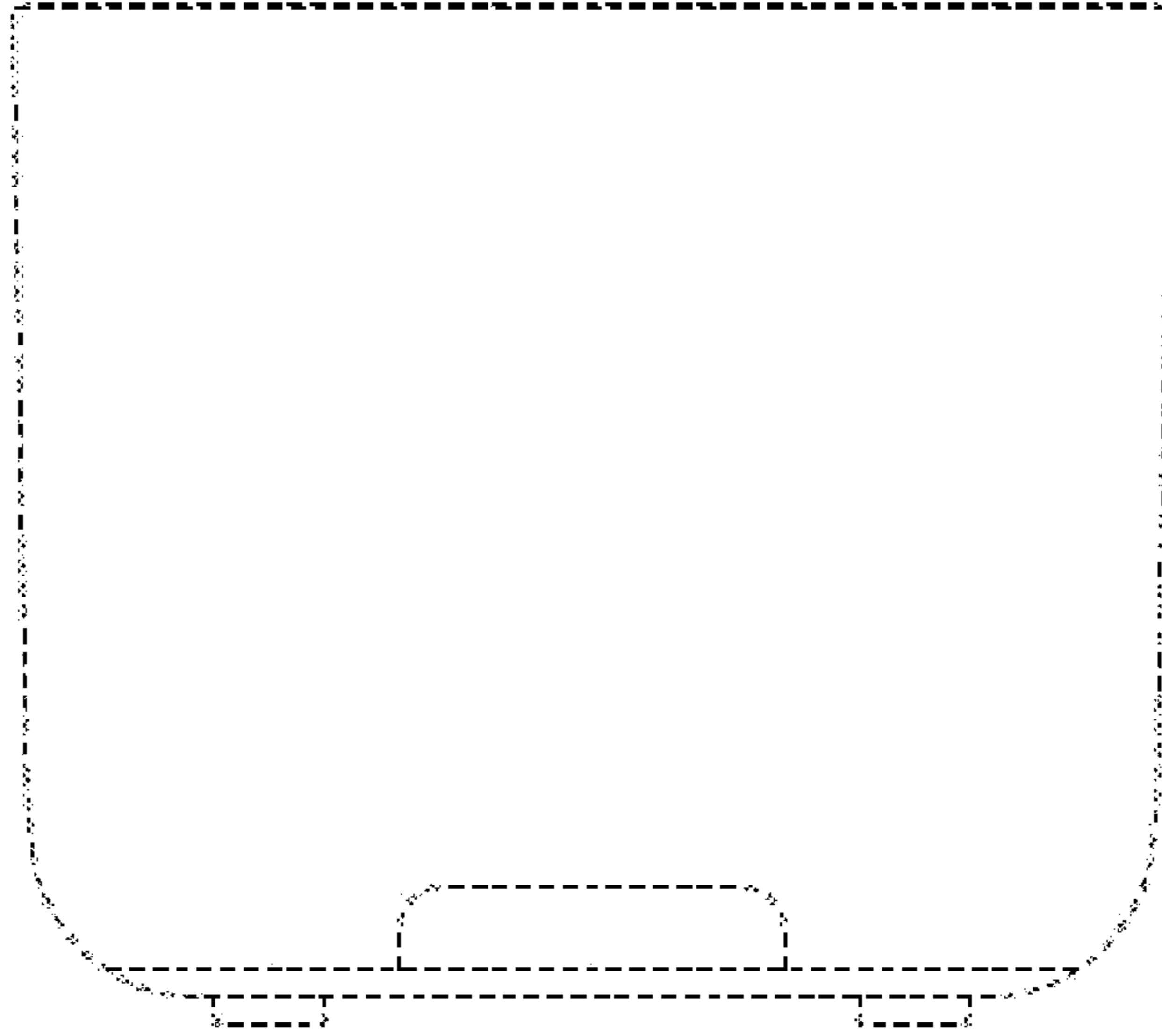


FIG.5

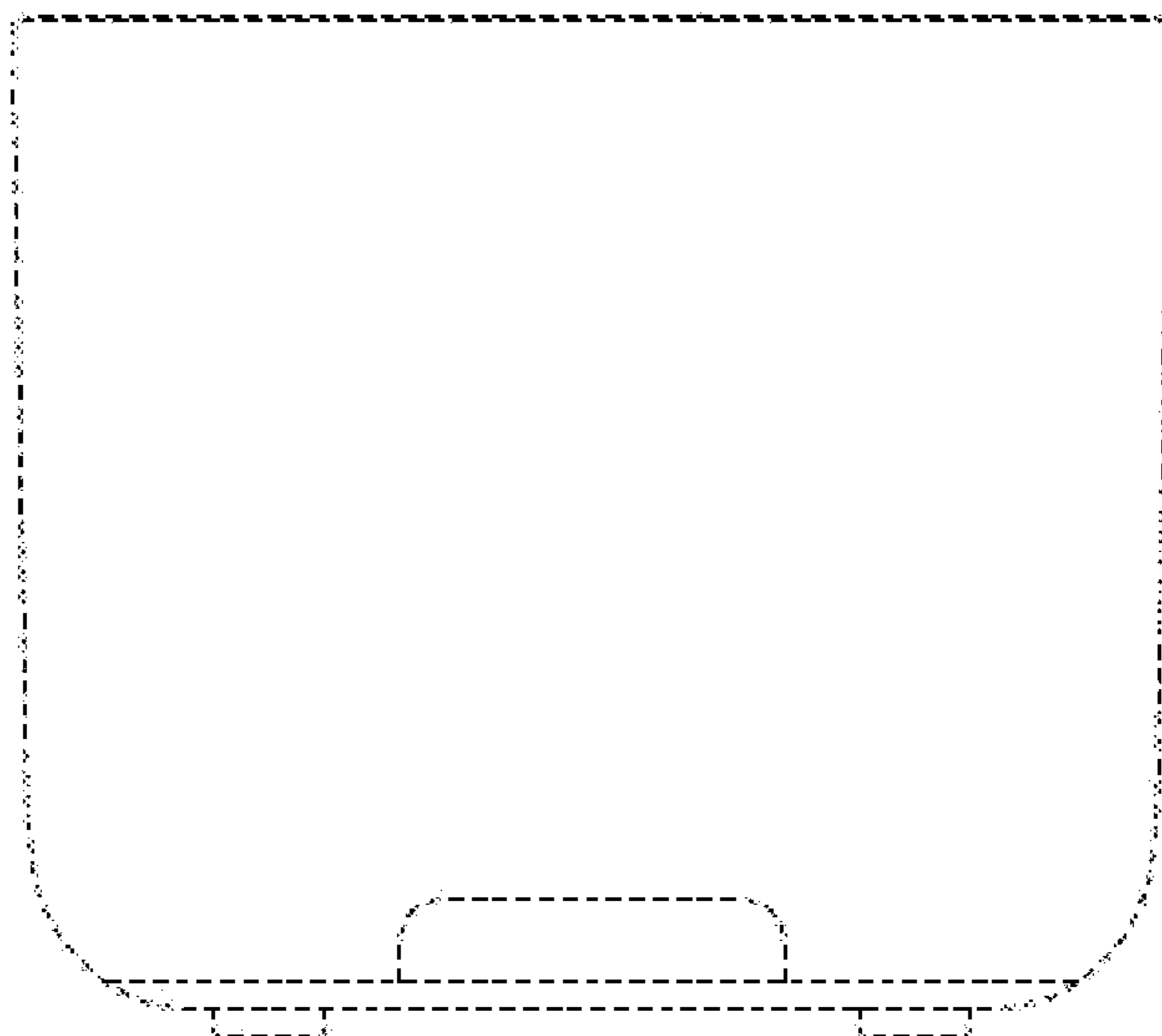


FIG.6

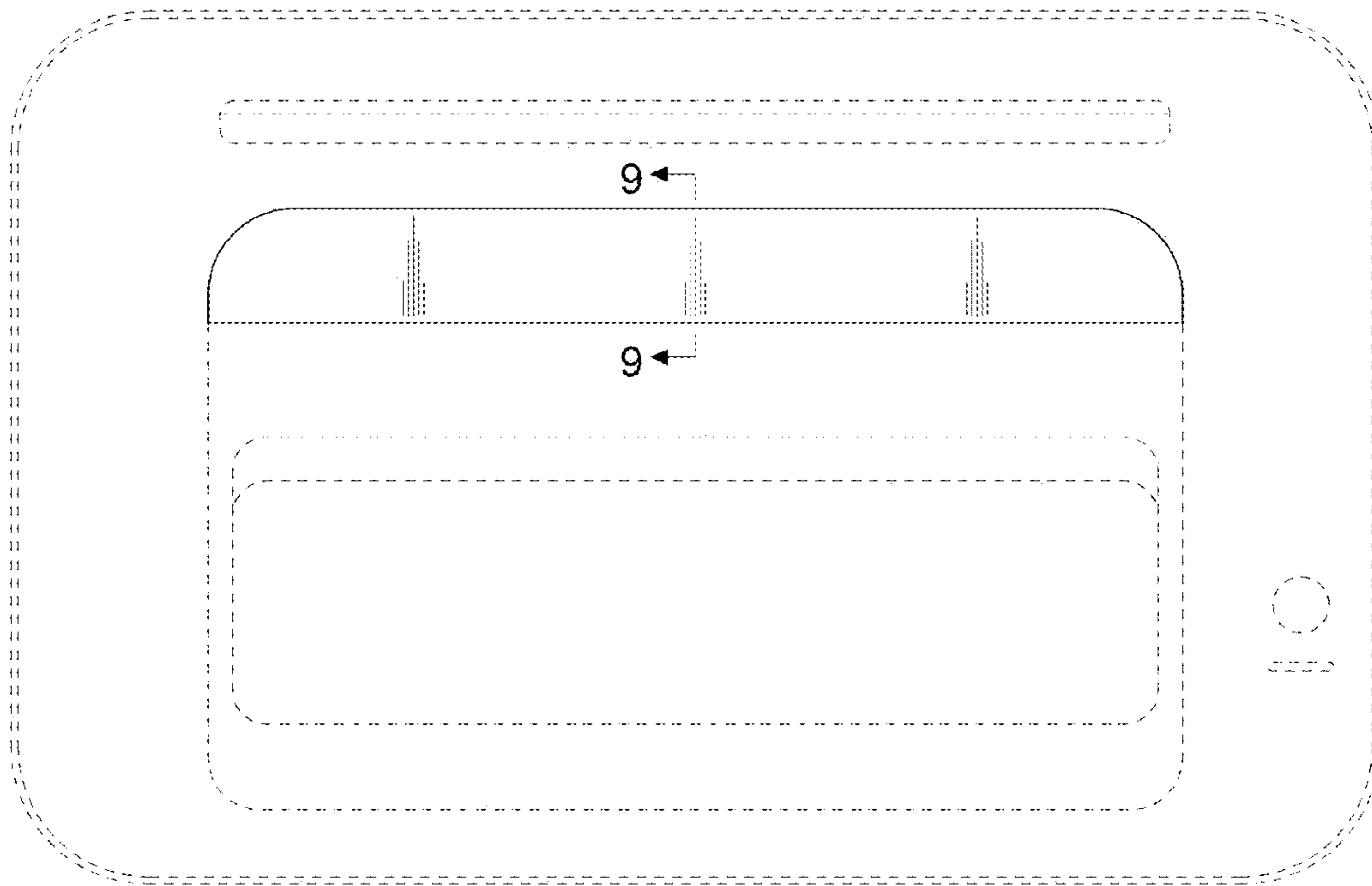


FIG.7



FIG.8

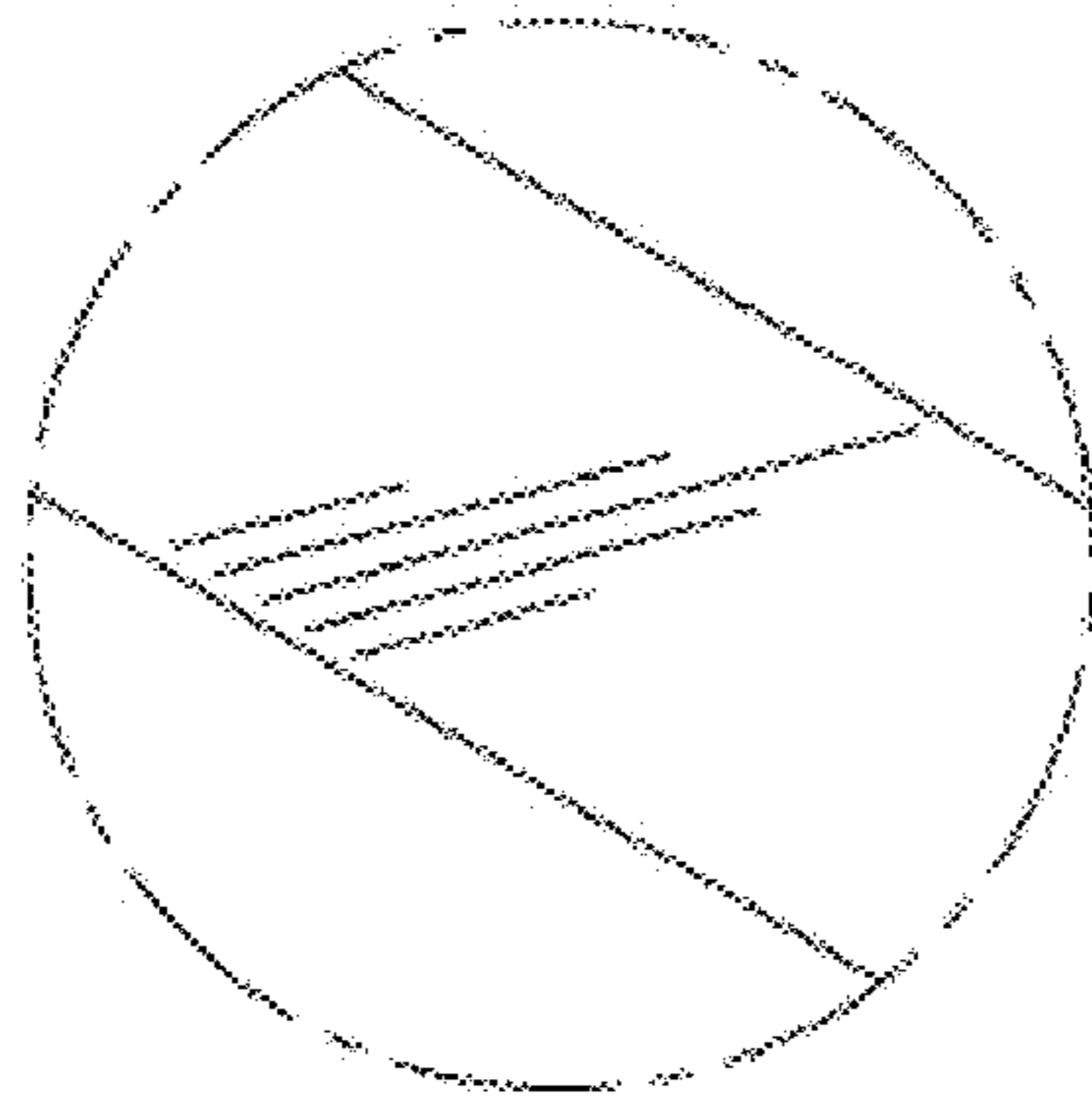


FIG.9

