



US00D748722S

(12) **United States Design Patent**
Riegler et al.

(10) **Patent No.:** **US D748,722 S**
(45) **Date of Patent:** **** Feb. 2, 2016**

(54) **SEAL PRESS**

(71) Applicant: **Trodat GmbH, Wels (AT)**

(72) Inventors: **Konrad Riegler, Eberstalzell (AT);
Helmut Lindner, Peuerbach (AT)**

(73) Assignee: **Trodat GmbH (AT)**

(**) Term: **14 Years**

(21) Appl. No.: **29/470,478**

(22) Filed: **Oct. 22, 2013**

(30) **Foreign Application Priority Data**

Apr. 23, 2013 (EM) 002225672-0001
Apr. 23, 2013 (EM) 002225672-0002

(51) **LOC (10) Cl.** **19-02**

(52) **U.S. Cl.**
USPC **D18/15**

(58) **Field of Classification Search**

USPC D18/15-19; 101/31.1 L, 28.327, 72,
101/499; 400/134.4, 134.6; 156/220, 219
CPC B41K 5/006; B44B 5/0038; B44B 5/0085;
B44B 5/026; B44B 5/00; B44B 5/0052
See application file for complete search history.

(56) **References Cited**

U.S. PATENT DOCUMENTS

D43,702 S * 3/1913 Ryan D18/15
1,646,612 A 10/1927 Corey
1,658,823 A * 2/1928 Willard B43M 1/00
100/234
1,679,029 A * 7/1928 Gibson B44B 5/0038
101/31.1
D103,980 S * 4/1937 Jackson et al. D18/15
D114,149 S * 4/1939 Priesmeyer D18/15
2,187,773 A 1/1940 Eyman
2,706,448 A * 4/1955 Priesmeyer B44B 5/0085
101/31.1

2,906,197 A * 9/1959 Priesmeyer B44B 5/0085
101/31.1
4,278,017 A * 7/1981 Conjura B44B 5/0085
101/31.1
5,787,802 A * 8/1998 McNab B44B 5/0085
101/31.1

(Continued)

FOREIGN PATENT DOCUMENTS

BR 8404986 A 5/1986
CN 302850079 * 6/2014
DE 202011100743 U1 9/2011

OTHER PUBLICATIONS

YouTube. <URL: https://www.youtube.com/watch?v=jHXcXPiBfcl&list=PLPPleSQXbUucdl_F3aq5ka6bw0LGfjTTR>. Aug. 29, 2014. Trodat Ideal Seal video.*

Primary Examiner — Bridget L Eland
Assistant Examiner — Lauren McVey

(74) *Attorney, Agent, or Firm* — Lerner, David, Littenberg, Krumholz & Mentlik, LLP

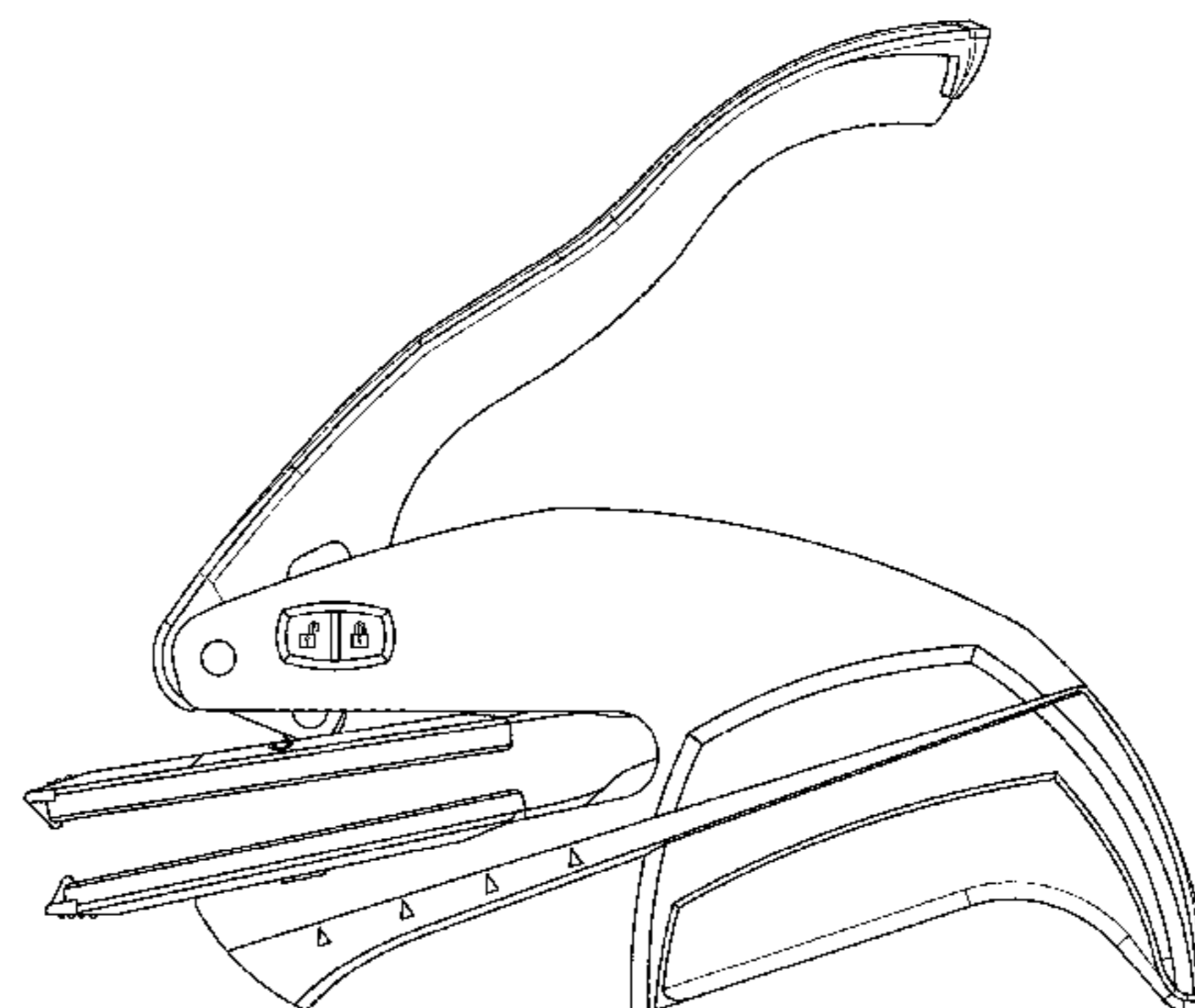
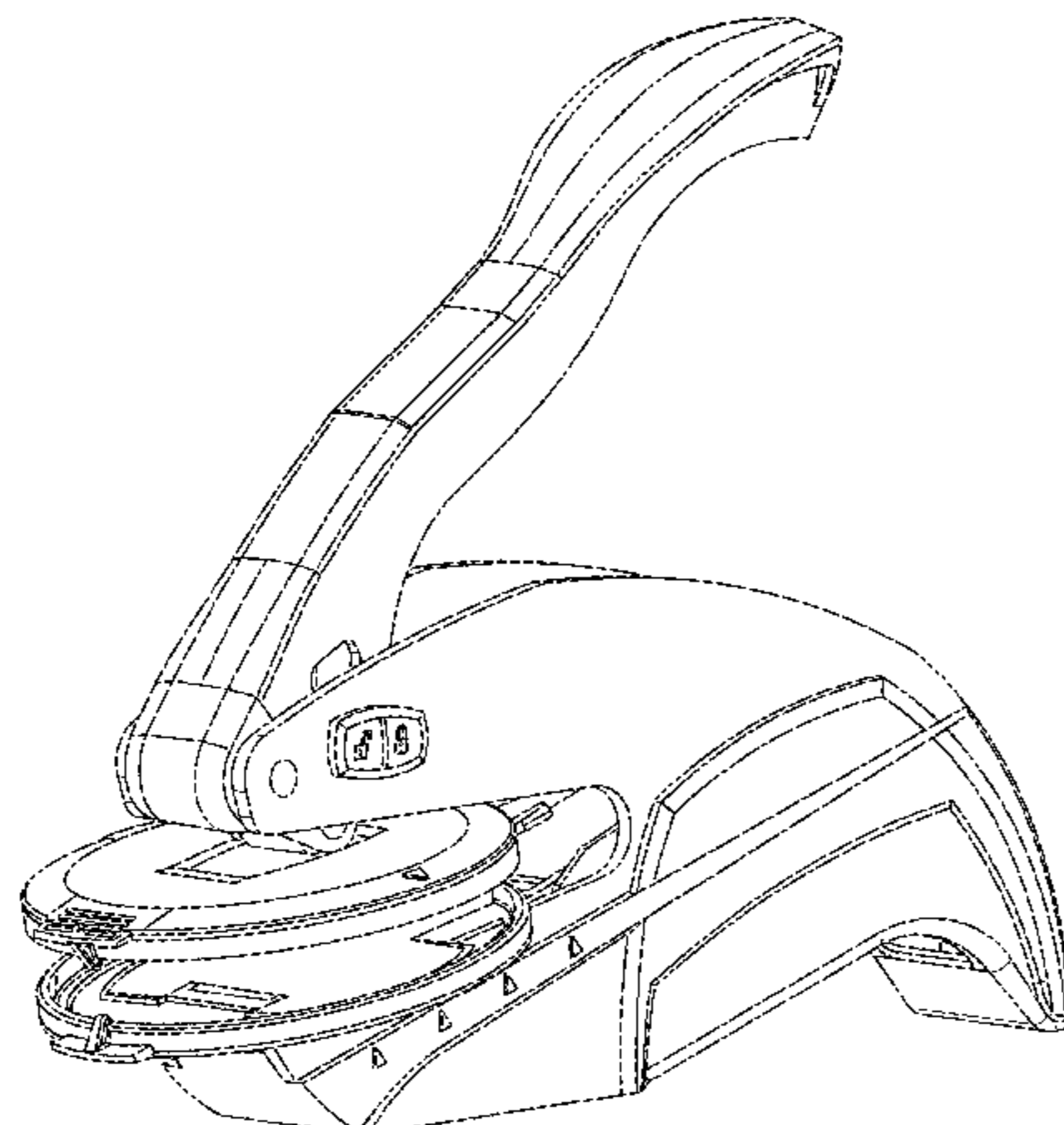
(57) **CLAIM**

The ornamental design for a seal press, as shown and described.

DESCRIPTION

FIG. 1 is a front perspective view of a seal press;
FIG. 2 is a left side view thereof;
FIG. 3 is a right side thereof;
FIG. 4 is a front view thereof;
FIG. 5 is a rear view thereof;
FIG. 6 is top view thereof;
FIG. 7 is a bottom view thereof;
FIG. 8 is a front perspective view of the seal press in a fully assembled state;
FIG. 9 is a left side view thereof;
FIG. 10 is a right side view thereof;
FIG. 11 is a front view thereof;
FIG. 12 is a rear view thereof;
FIG. 13 is top view thereof; and,
FIG. 14 is a bottom view thereof.
The wire frame lines shown throughout the views are intended to indicate surface contour and are not intended to be surface ornamentation.

1 Claim, 14 Drawing Sheets



US D748,722 S

Page 2

(56)

References Cited

U.S. PATENT DOCUMENTS

D480,103 S *	9/2003	Stefanski	D18/15	2012/0037015 A1	2/2012	Shih	
7,299,748 B2 *	11/2007	Petersen	B44B 5/0085 101/3.1	2014/0311366 A1 *	10/2014	Riegler B44B 5/0085 101/28
					2015/0246574 A1 *	9/2015	Riegler B44B 5/0085 101/28

* cited by examiner

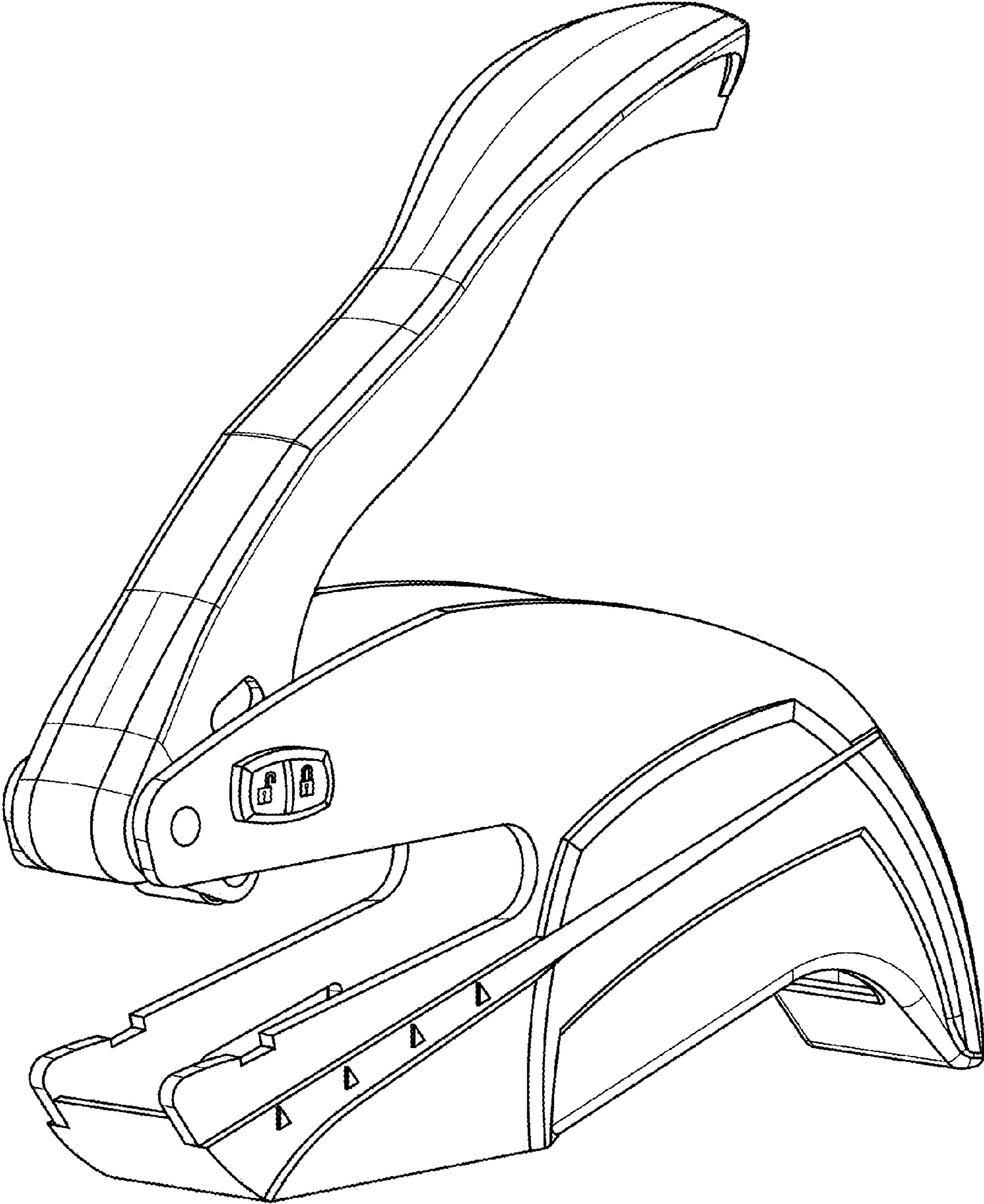


FIG. 1

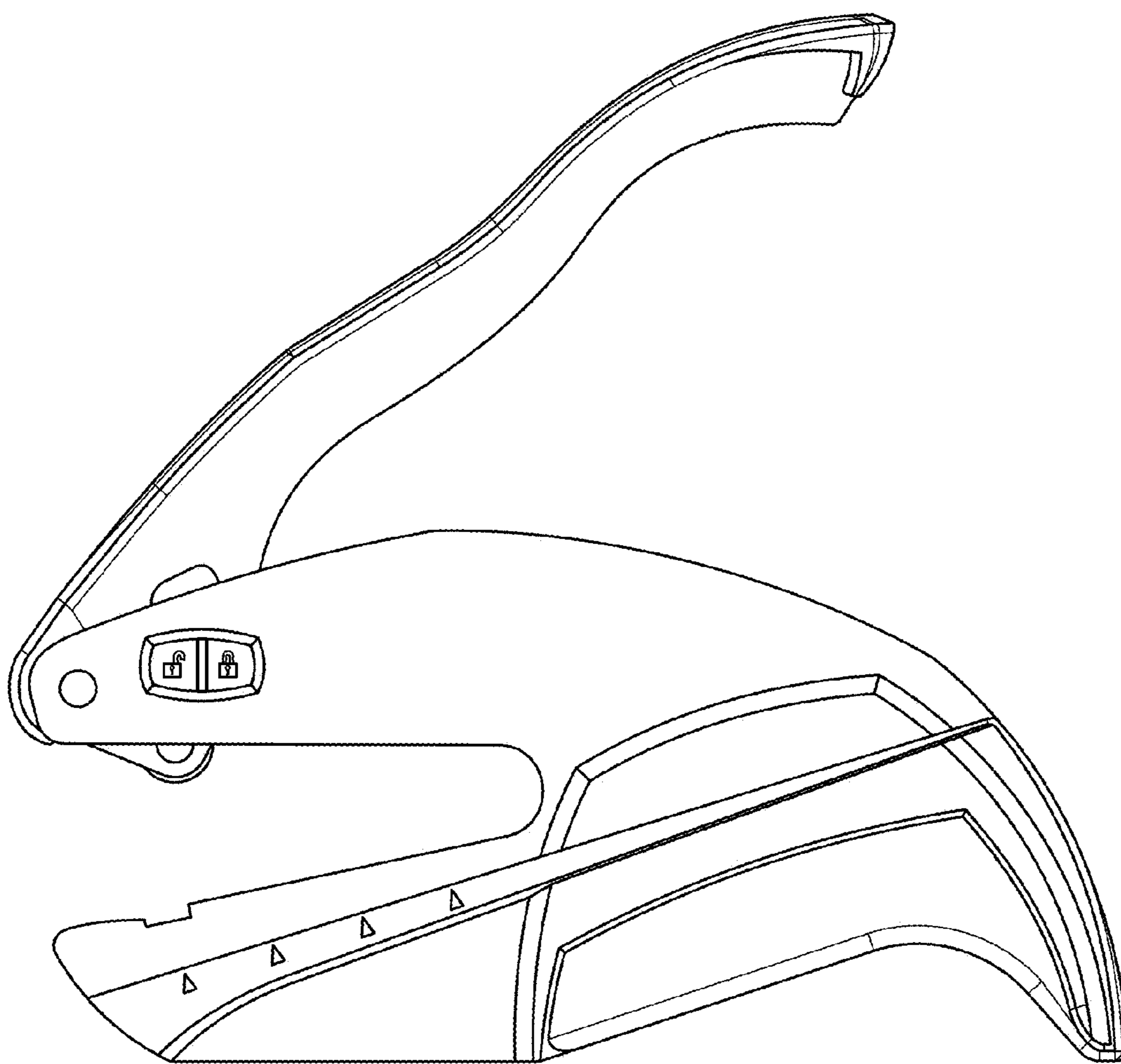


FIG. 2

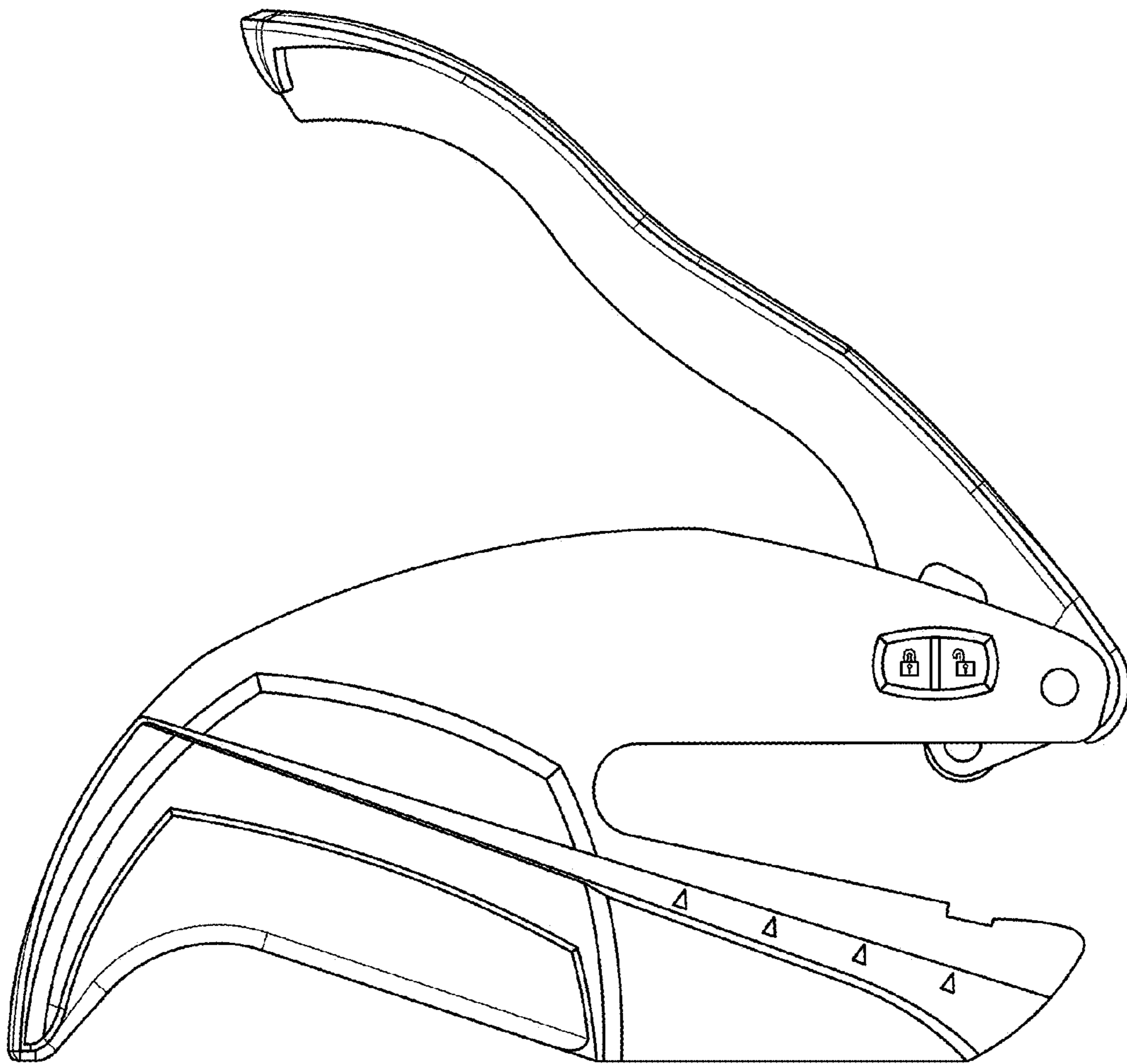


FIG. 3

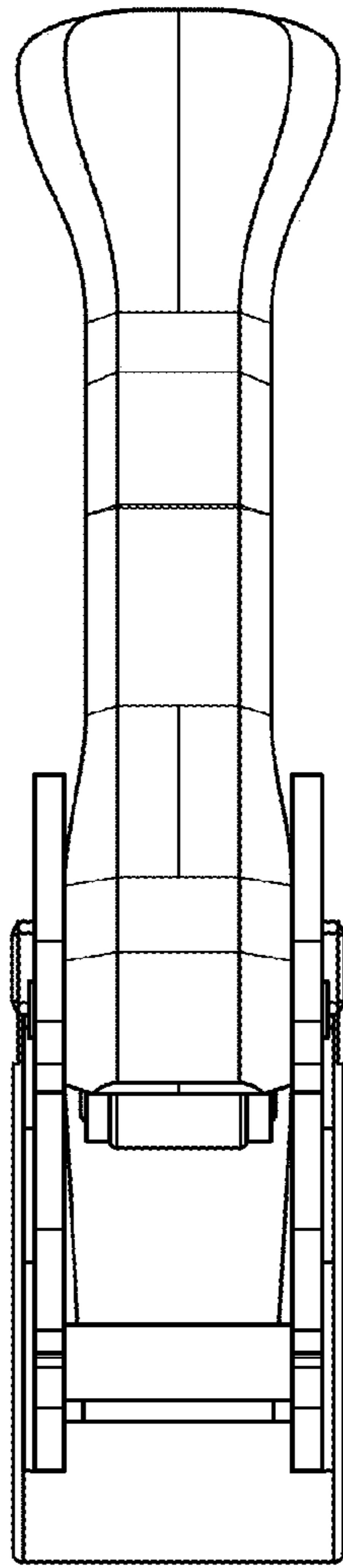


FIG. 4

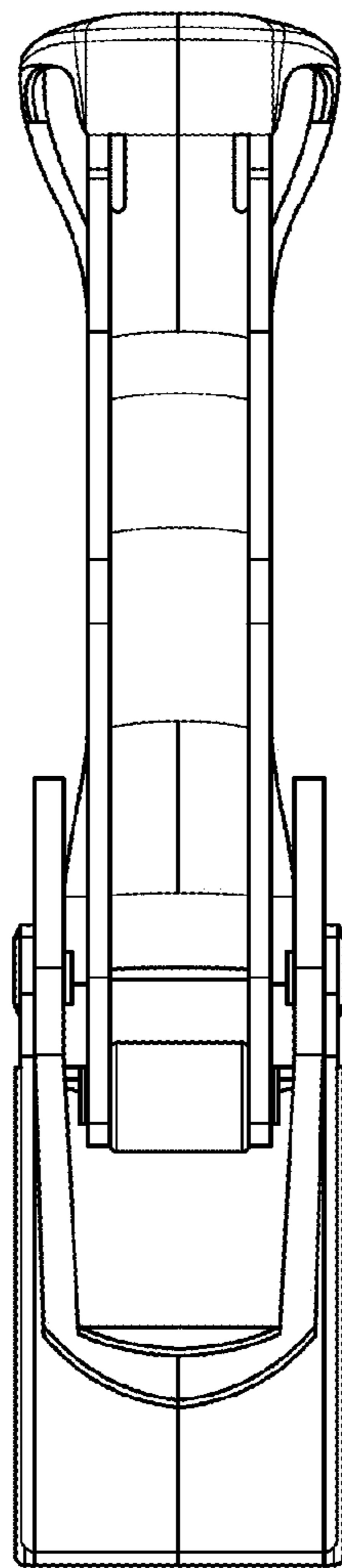


FIG. 5

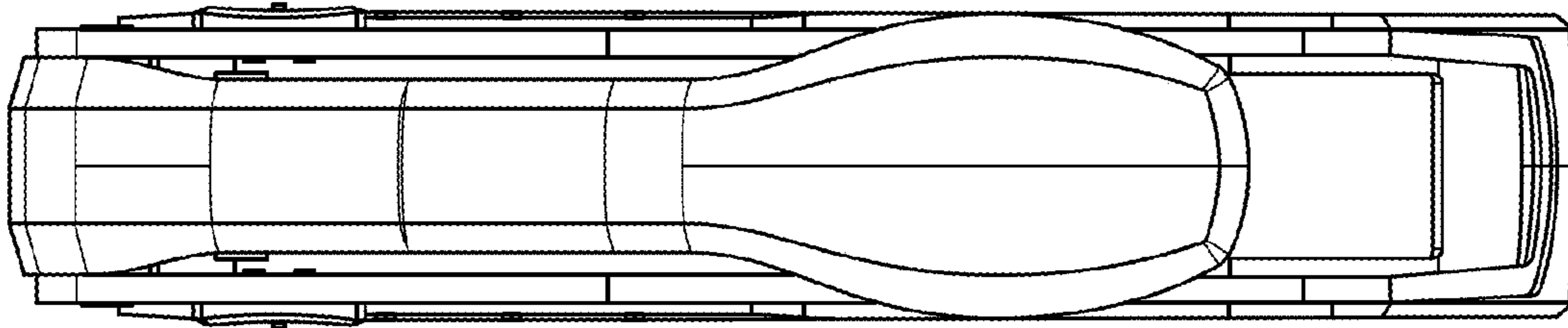


FIG. 6

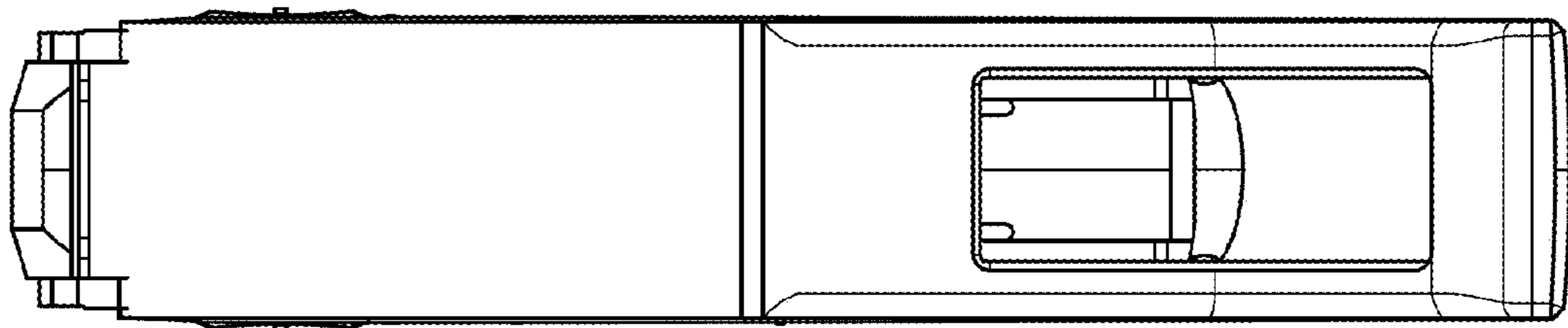


FIG. 7

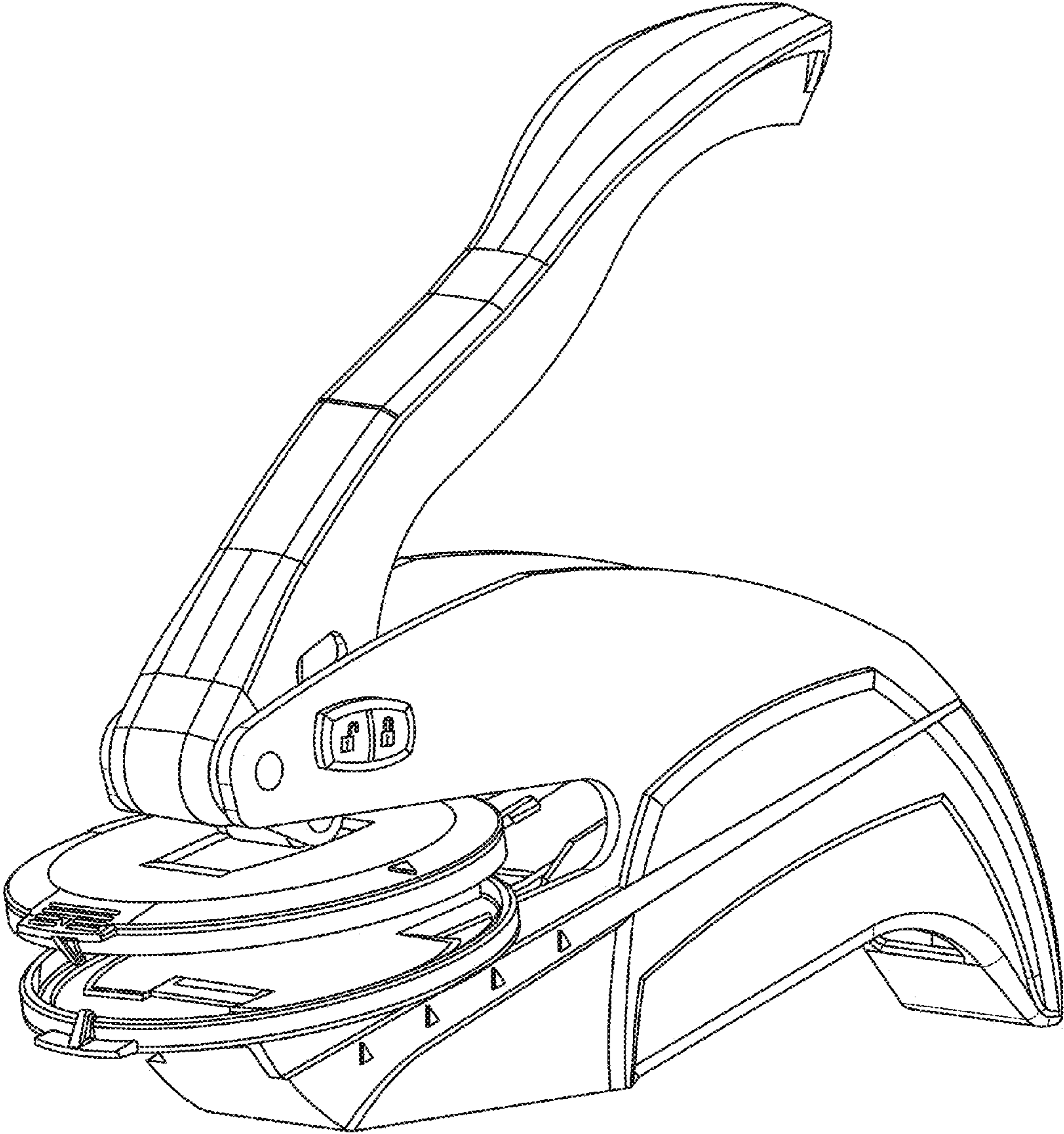


FIG. 8

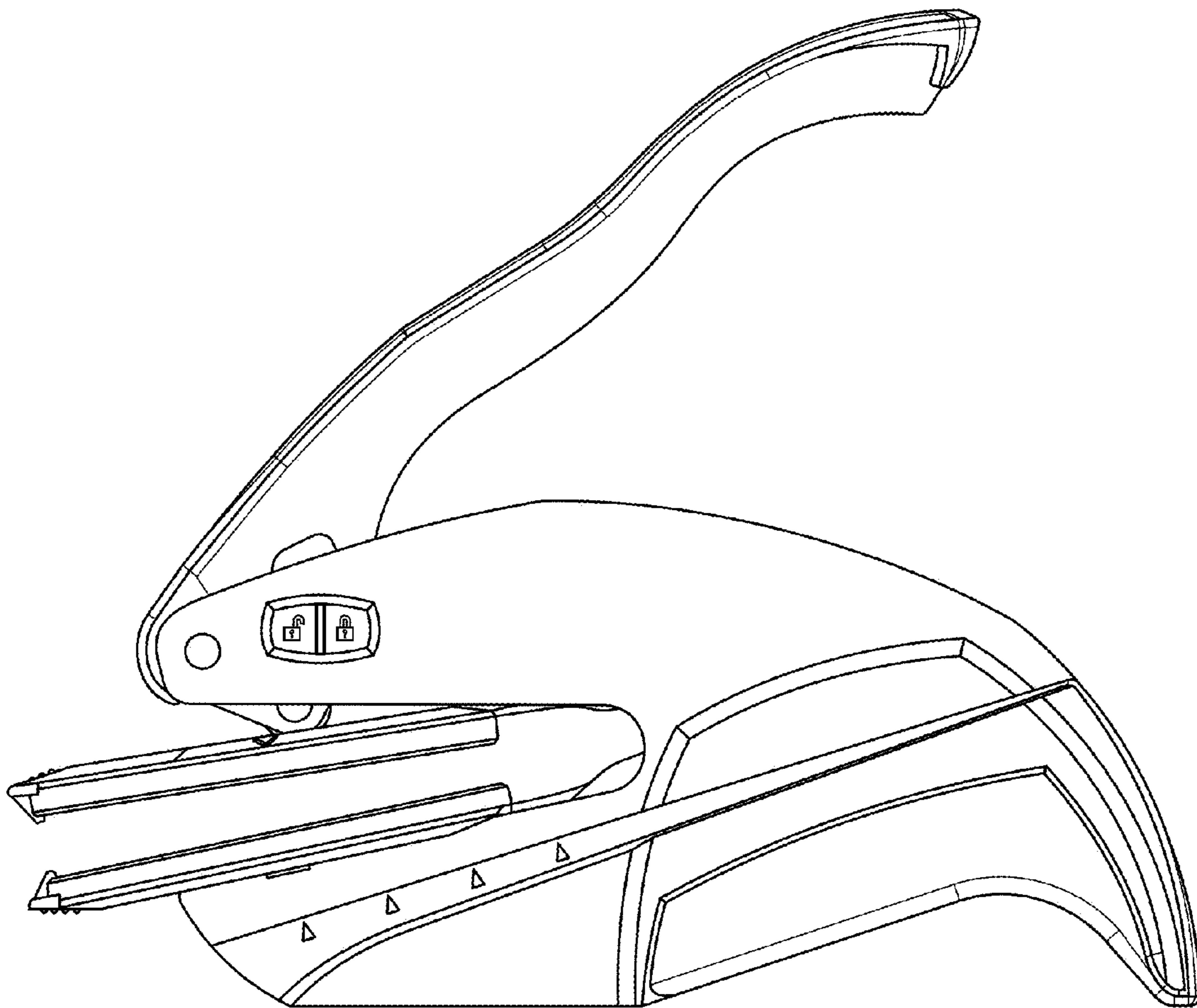


FIG. 9

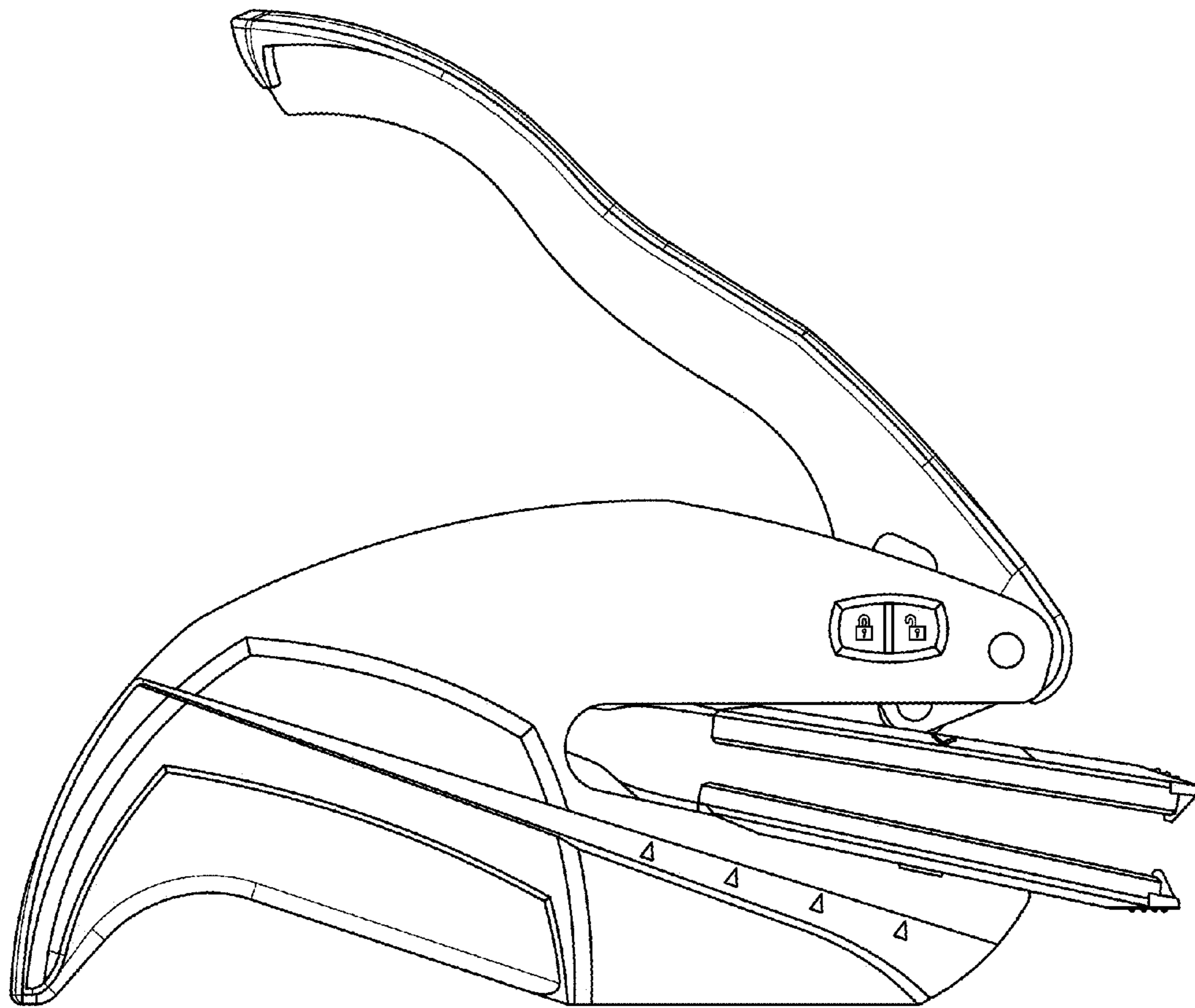


FIG. 10

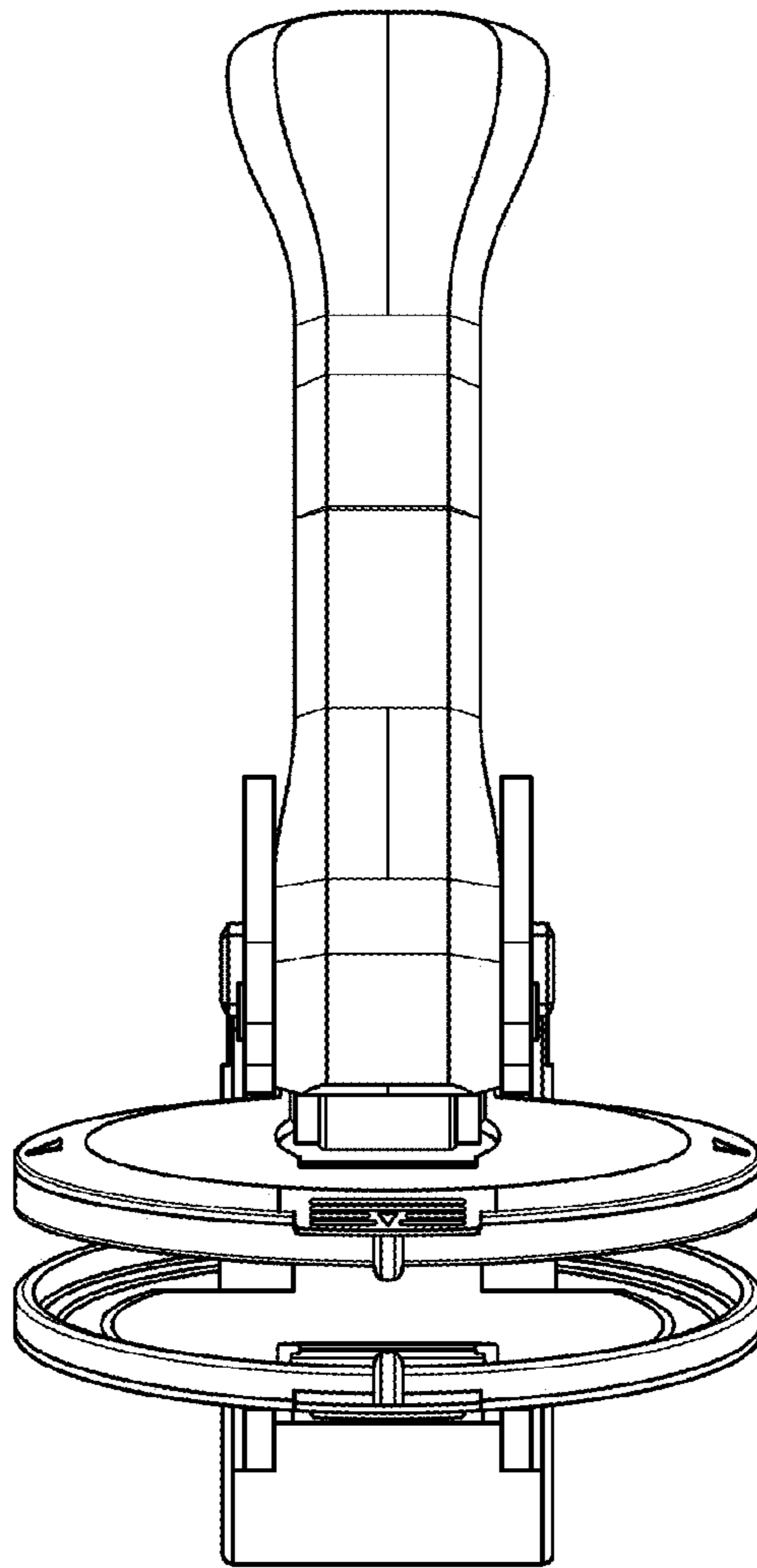


FIG. 11

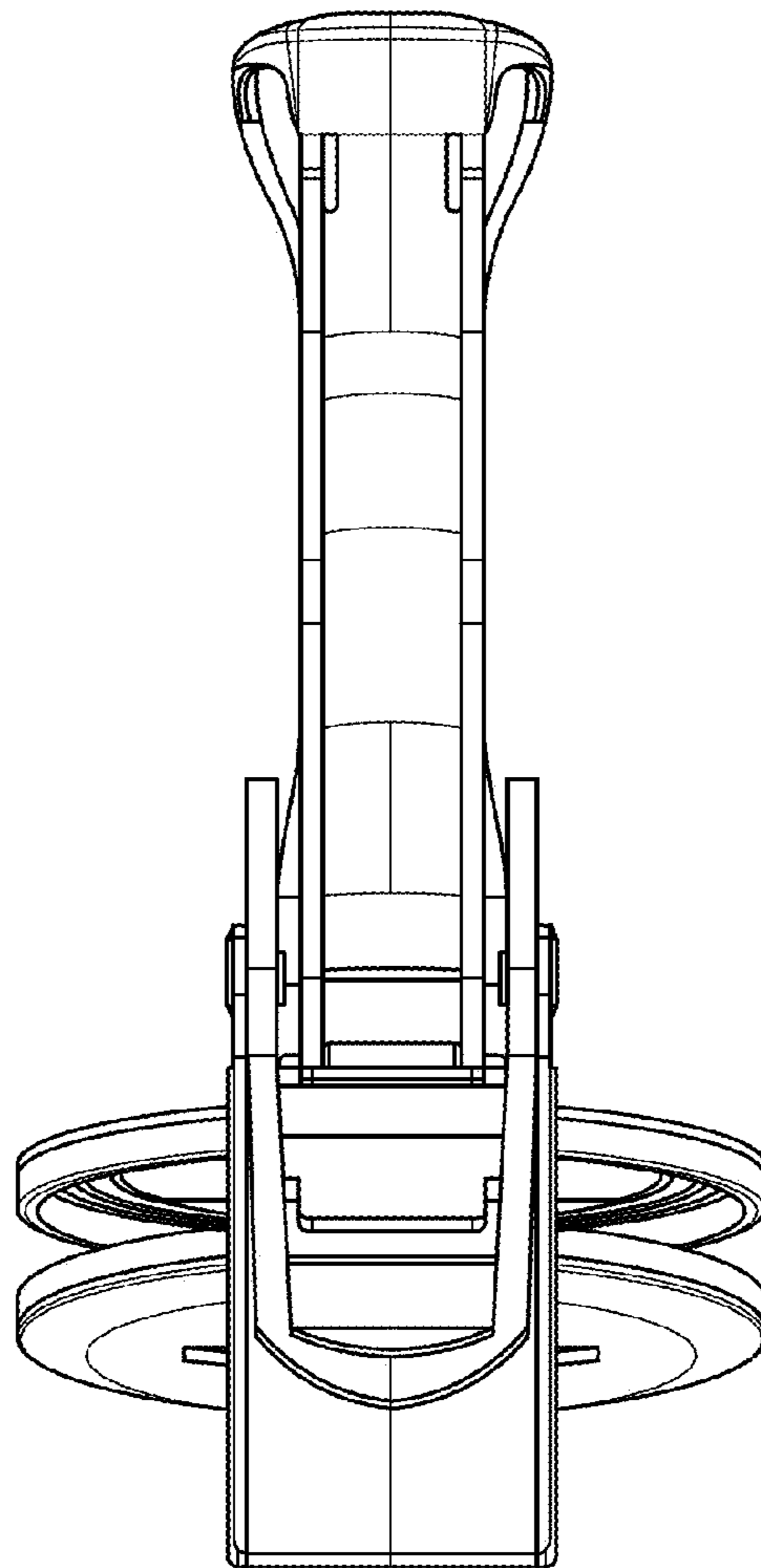


FIG. 12

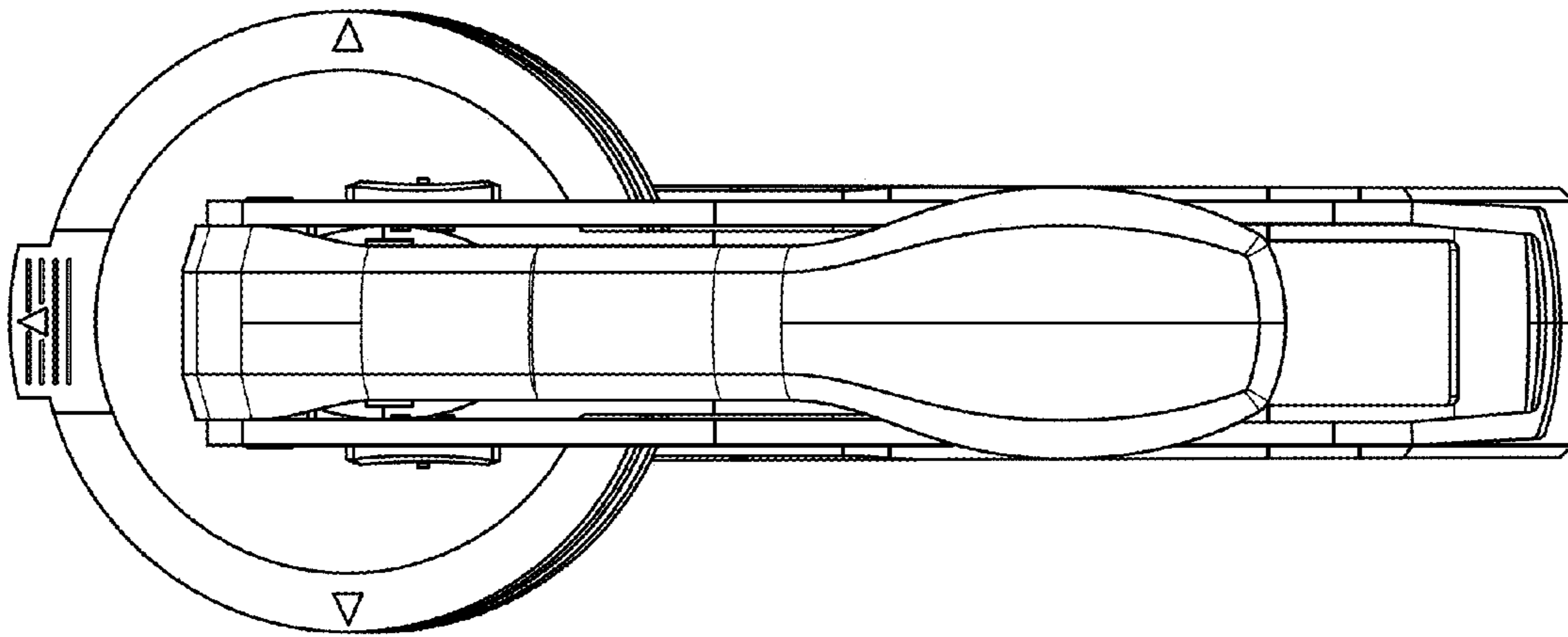


FIG. 13

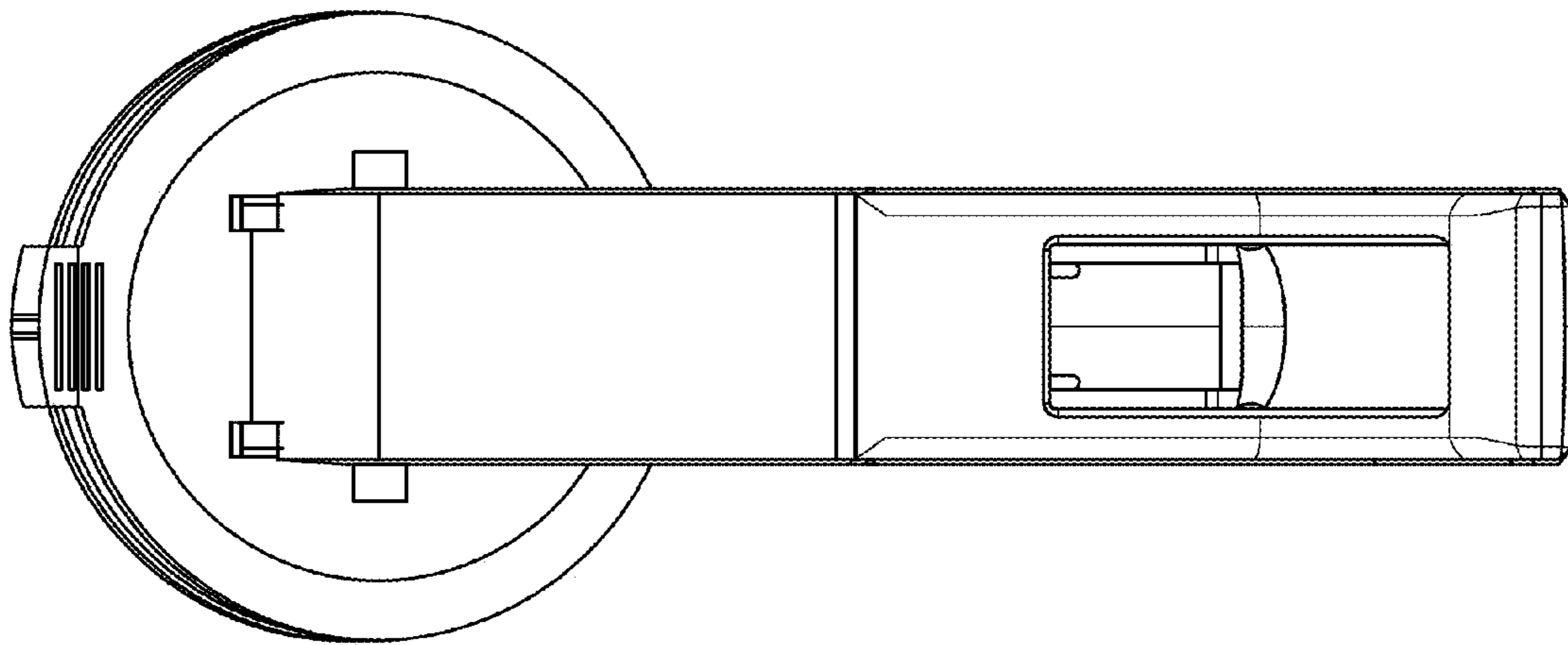


FIG. 14