



US00D748719S

(12) **United States Design Patent**
Hsu

(10) **Patent No.:** **US D748,719 S**
(45) **Date of Patent:** **** Feb. 2, 2016**

(54) **EYEGLASSES FRAME**
(71) Applicant: **Tsun Kai Hsu**, Rancho Cucamonga, CA (US)
(72) Inventor: **Tsun Kai Hsu**, Rancho Cucamonga, CA (US)
(**) Term: **14 Years**
(21) Appl. No.: **29/507,111**
(22) Filed: **Oct. 23, 2014**
(51) **LOC (10) Cl.** **16-06**
(52) **U.S. Cl.**
USPC **D16/326**
(58) **Field of Classification Search**
USPC D16/300, 304, 309–311, 314–330,
D16/334–338, 341; D29/109, 110;
D21/483, 65, 660, 661; D14/372;
351/41–46, 48, 49, 51, 52, 59, 61–63,
351/92, 103–126, 140–153, 158, 159, 178;
2/13, 15, 426–432, 434–437, 441, 447,
2/448, 449
CPC G02C 2200/08; G02C 1/06; G02C 5/14;
G02C 5/16
See application file for complete search history.

(56) **References Cited**

U.S. PATENT DOCUMENTS

D210,698 S * 4/1968 Simon D16/326
D216,563 S * 2/1970 Ramp et al. D16/329
D300,226 S * 3/1989 Ramp D16/323
D321,895 S * 11/1991 Ramp D16/323
D399,238 S * 10/1998 Simioni D16/326
D409,224 S * 5/1999 Matera D16/326
D421,765 S * 3/2000 Hsu D16/315
D423,034 S * 4/2000 Arnette D16/326
D423,550 S * 4/2000 Matera D16/326
6,233,342 B1 * 5/2001 Fernandez A61F 9/028
2/235
D449,641 S * 10/2001 Arnette D16/326
6,550,914 B1 * 4/2003 Kopfer G02C 11/08
2/437

D524,354 S * 7/2006 Yang D16/320
D524,355 S * 7/2006 Chuang D16/326
D525,643 S * 7/2006 Wu D16/326
D536,028 S * 1/2007 Paulson D16/326
D539,833 S * 4/2007 Chuang D16/321
D547,794 S * 7/2007 Jannard D16/326
D549,268 S * 8/2007 Daems D16/321
D549,764 S * 8/2007 Teng D16/326
D550,756 S * 9/2007 Li D16/326
D554,689 S * 11/2007 Jannard D16/326
D555,707 S * 11/2007 Hou D16/311
D590,433 S * 4/2009 Lane D16/321
D603,448 S * 11/2009 Markovitz D16/326
D604,759 S * 11/2009 Rohrbach D16/326
D607,483 S * 1/2010 Yang D16/315
D616,013 S * 5/2010 Reed D16/315
D617,365 S * 6/2010 Akarra D16/326
D617,366 S * 6/2010 Fulton D16/309
D621,438 S * 8/2010 Markovitz D16/326
D623,217 S * 9/2010 Markovitz D16/325
D629,444 S * 12/2010 Akarra D16/326
D632,721 S * 2/2011 Chou D16/326
D650,825 S * 12/2011 Yee D16/325

(Continued)

Primary Examiner — Susan Moon Lee

(74) *Attorney, Agent, or Firm* — Alexander Chen, Esq.

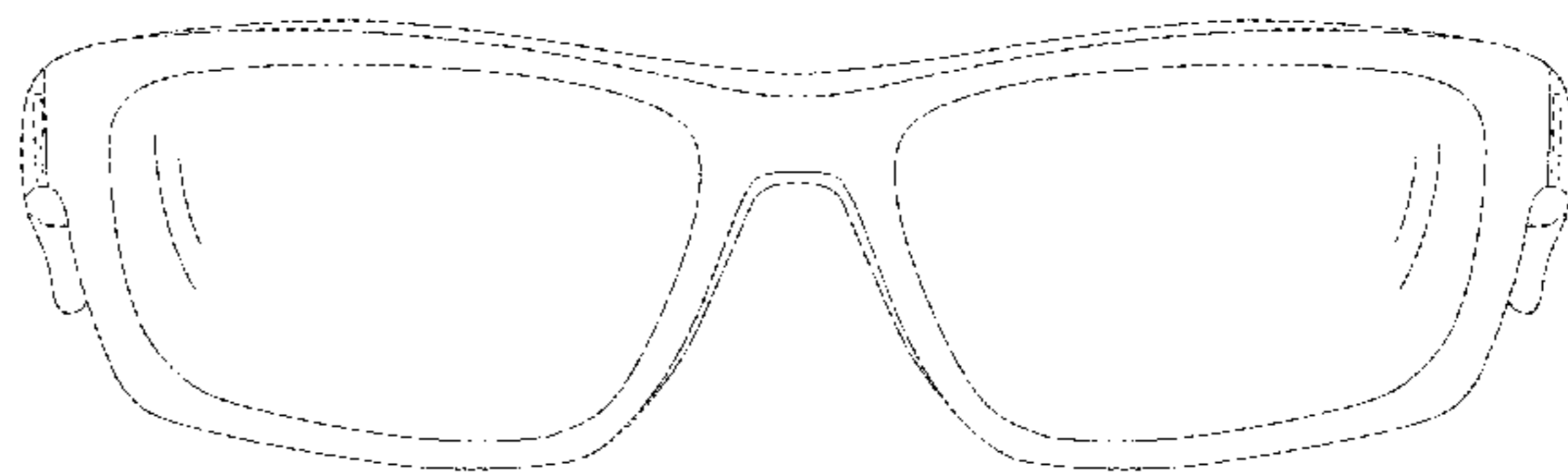
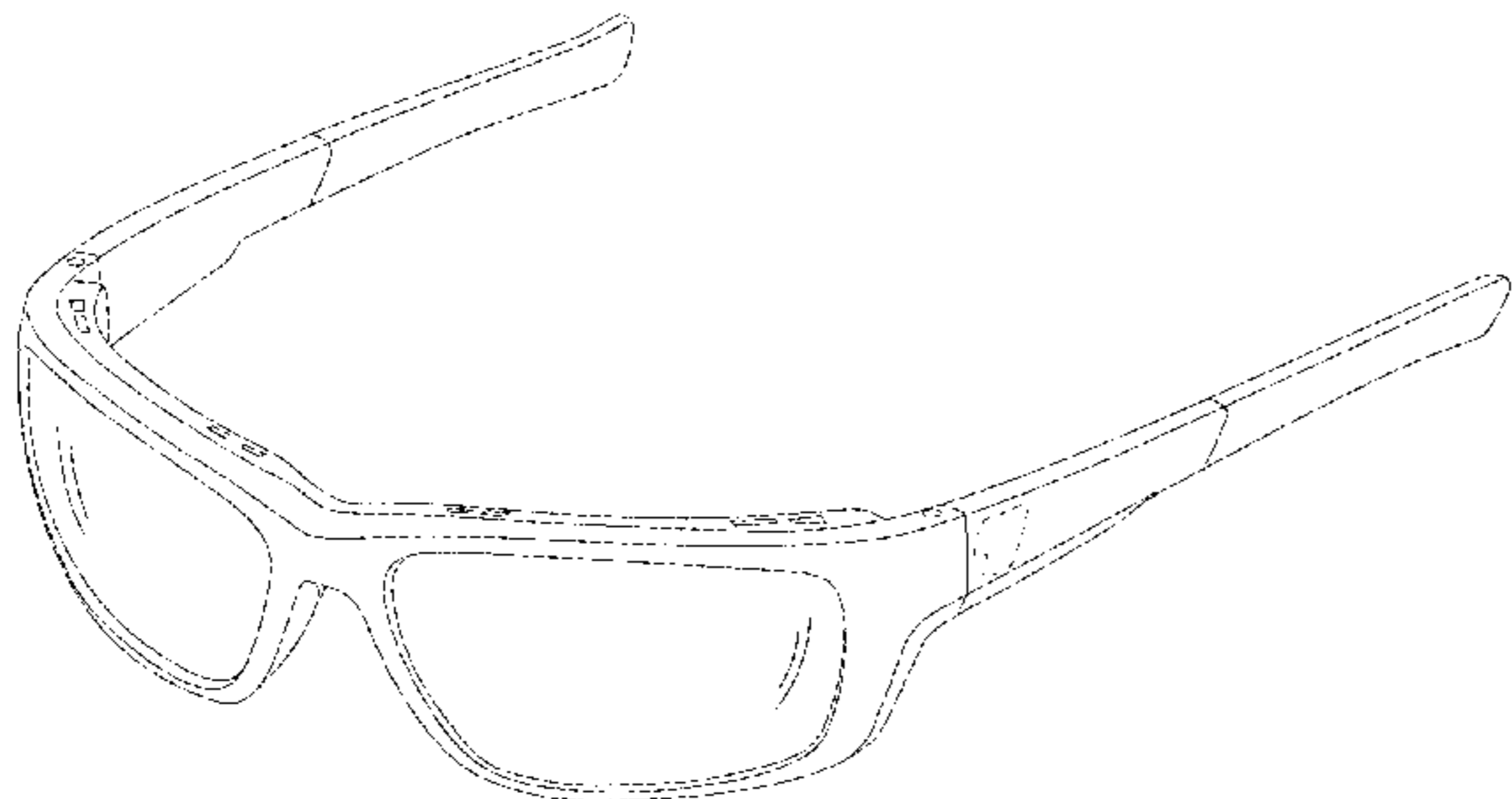
(57) **CLAIM**

I claim the ornamental design for an eyeglasses frame, as shown and described.

DESCRIPTION

FIG. 1 is a perspective view from the top, front, left side of the eyeglasses frame.
FIG. 2 is a front view thereof;
FIG. 3 is a back view thereof;
FIG. 4 is a right view thereof;
FIG. 5 is a left view thereof;
FIG. 6 is a top view thereof; and,
FIG. 7 is a bottom view thereof.
Broken lines and unshaded portions contained within broken lines are not claimed.

1 Claim, 7 Drawing Sheets



(56)

References Cited

U.S. PATENT DOCUMENTS

D652,442 S *	1/2012	Yee	D16/326	D706,334 S *	6/2014	Markovitz	D16/315
D654,529 S *	2/2012	Markovitz	D16/315	D706,858 S *	6/2014	Markovitz	D16/326
D654,530 S *	2/2012	Markovitz	D16/326	D706,859 S *	6/2014	Markovitz	D16/326
D667,044 S *	9/2012	Markovitz	D16/315	D706,860 S *	6/2014	Markovitz	D16/326
D671,163 S *	11/2012	Markovitz	D16/325	D706,861 S *	6/2014	Hou	D16/326
D671,591 S *	11/2012	Markovitz	D16/315	D709,549 S *	7/2014	Sheldon	D16/309
D676,479 S *	2/2013	Yoo	D16/326	D710,429 S *	8/2014	Rhea	D16/315
D676,896 S *	2/2013	Chen	D16/309	D710,430 S *	8/2014	Votel	D16/321
D677,311 S *	3/2013	Markovitz	D16/315	D718,806 S *	12/2014	Markovitz	D16/326
D681,094 S *	4/2013	Markovitz	D16/315	D720,798 S *	1/2015	Lee	D16/300
D682,922 S *	5/2013	Stables	D16/326	D723,092 S *	2/2015	Markovitz	D16/300
D683,389 S *	5/2013	Stables	D16/326	D727,396 S *	4/2015	Markovitz	D16/300
D689,116 S *	9/2013	Chen	D16/309	D727,404 S *	4/2015	Markovitz	D16/326
D694,313 S *	11/2013	Mage	D16/315	D728,664 S *	5/2015	Yoo	D16/300
D701,896 S *	4/2014	Markovitz	D16/326	D729,865 S *	5/2015	Chen	D16/311
D702,758 S *	4/2014	Markovitz	D16/326	D733,791 S *	7/2015	Yang	D16/315
D704,250 S *	5/2014	Miera	D16/313	D735,796 S *	8/2015	Earley	D16/321
				D735,798 S *	8/2015	Hsu	D16/309
				D737,880 S *	9/2015	Markovitz	D16/315

* cited by examiner

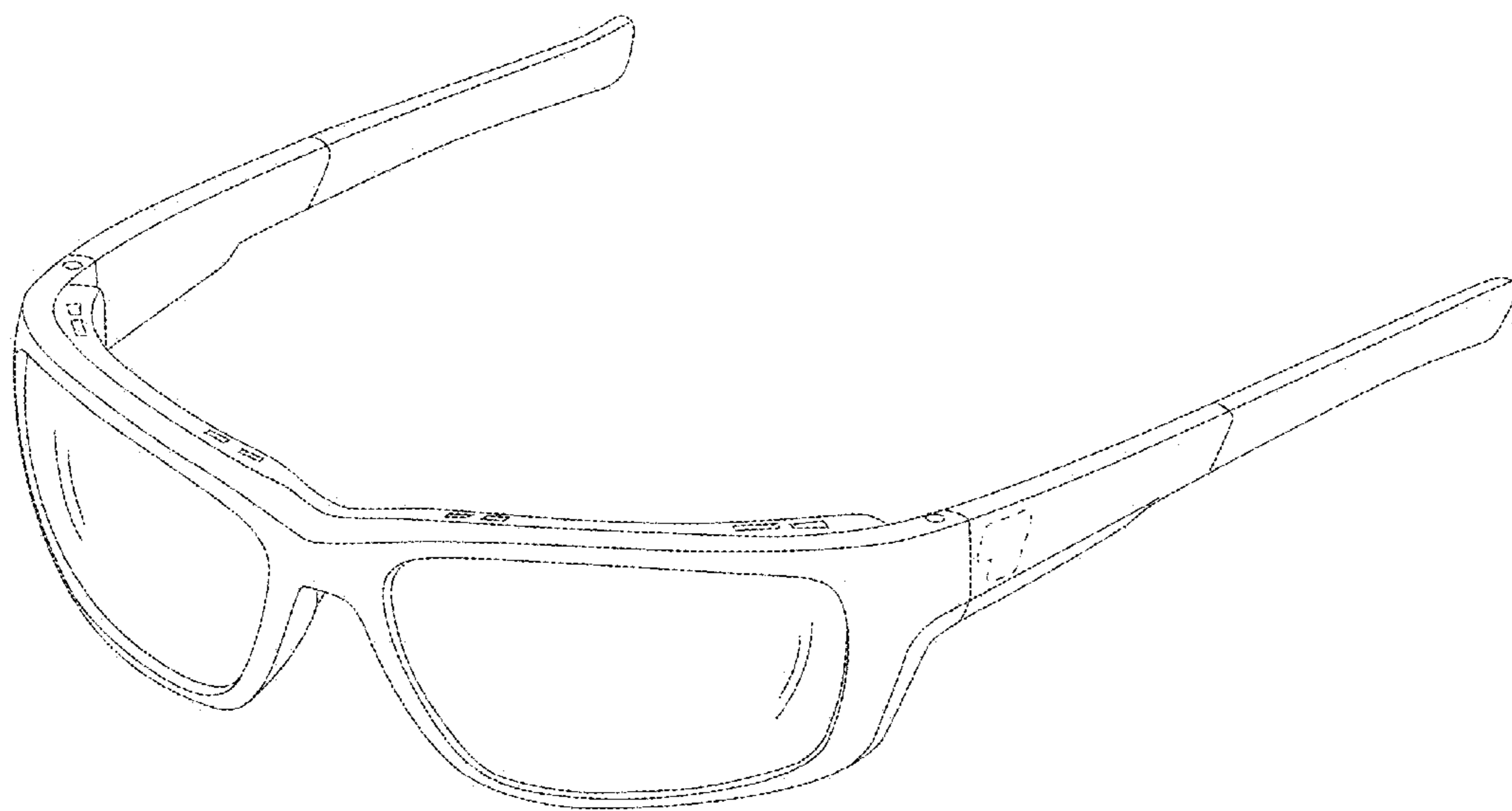


FIG. 1

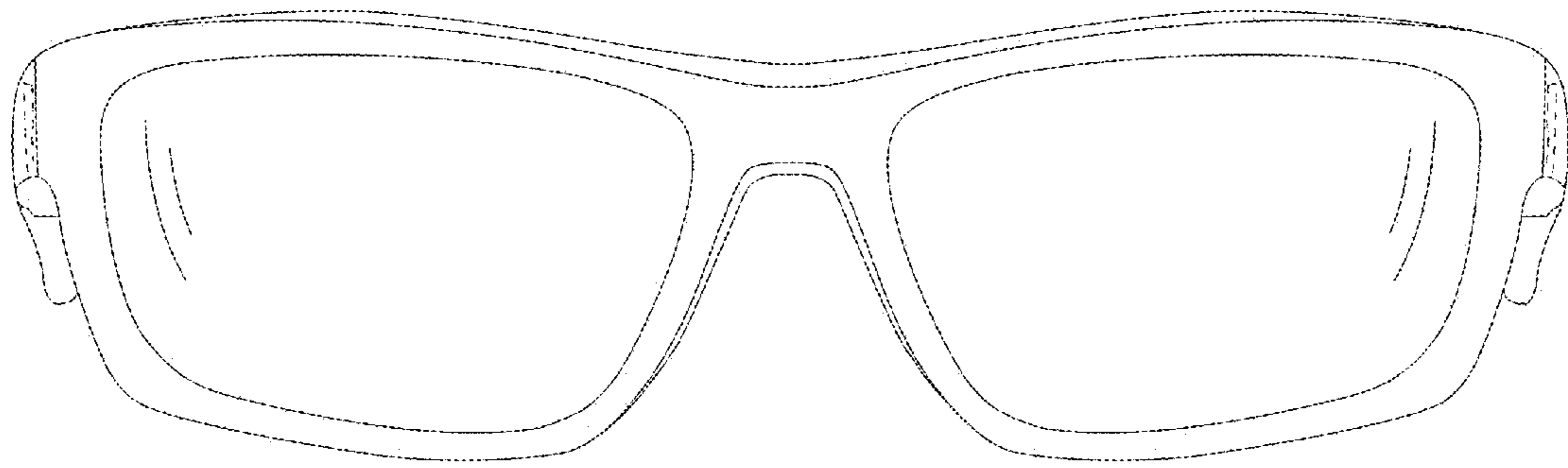


FIG. 2

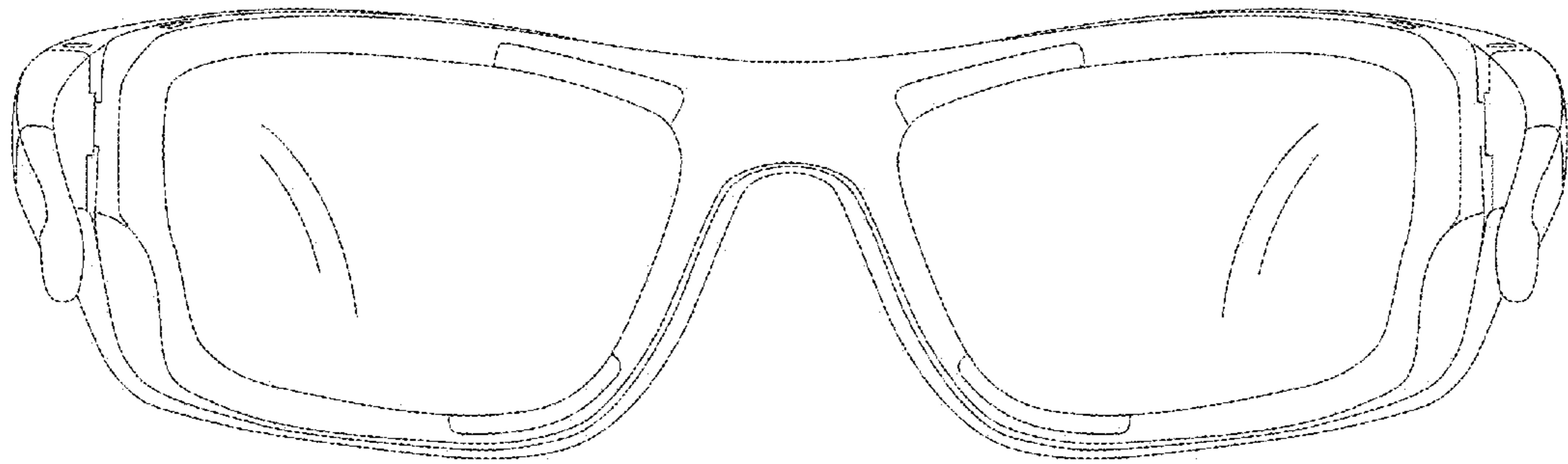


FIG. 3

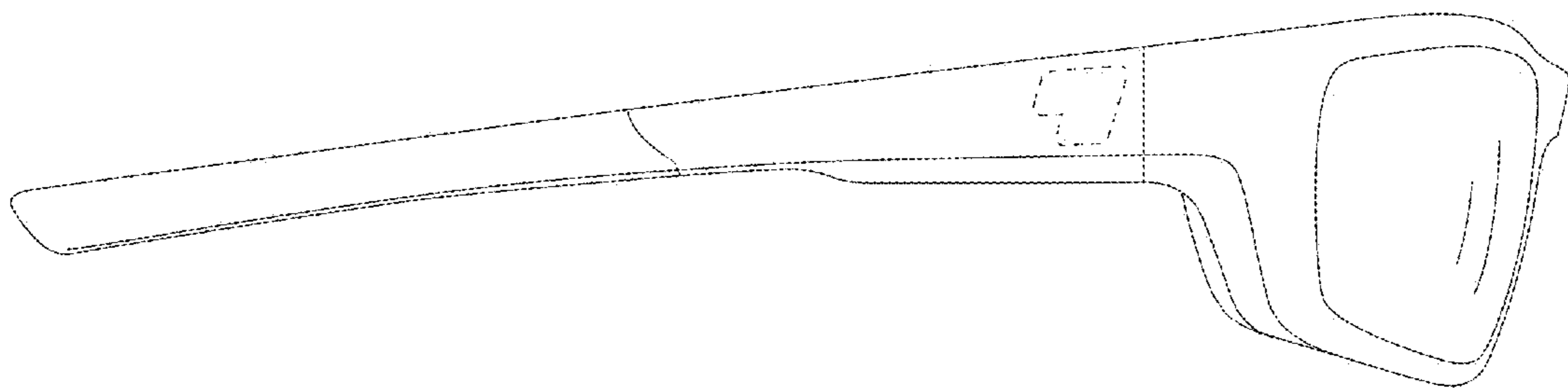


FIG. 4

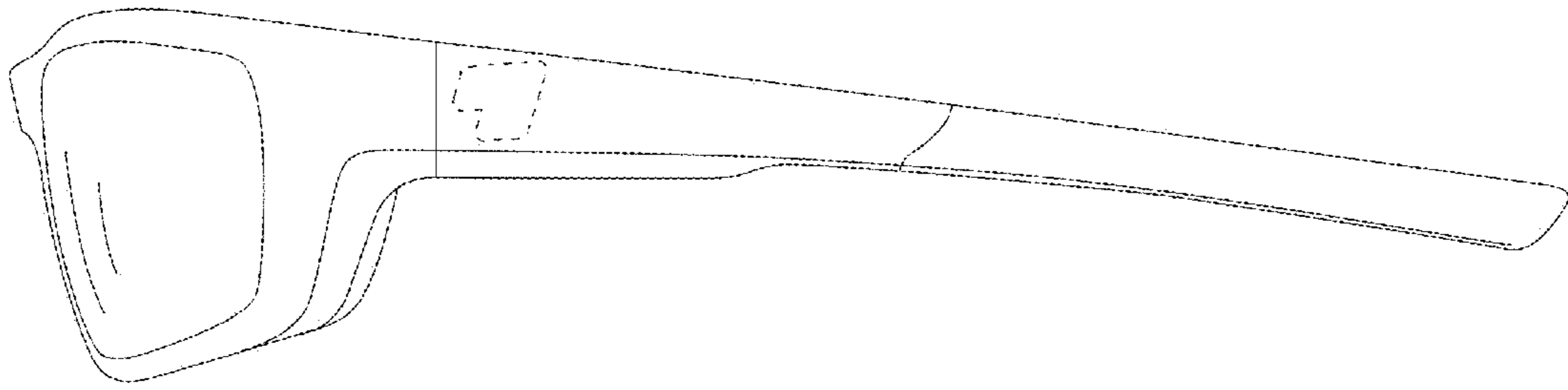


FIG. 5

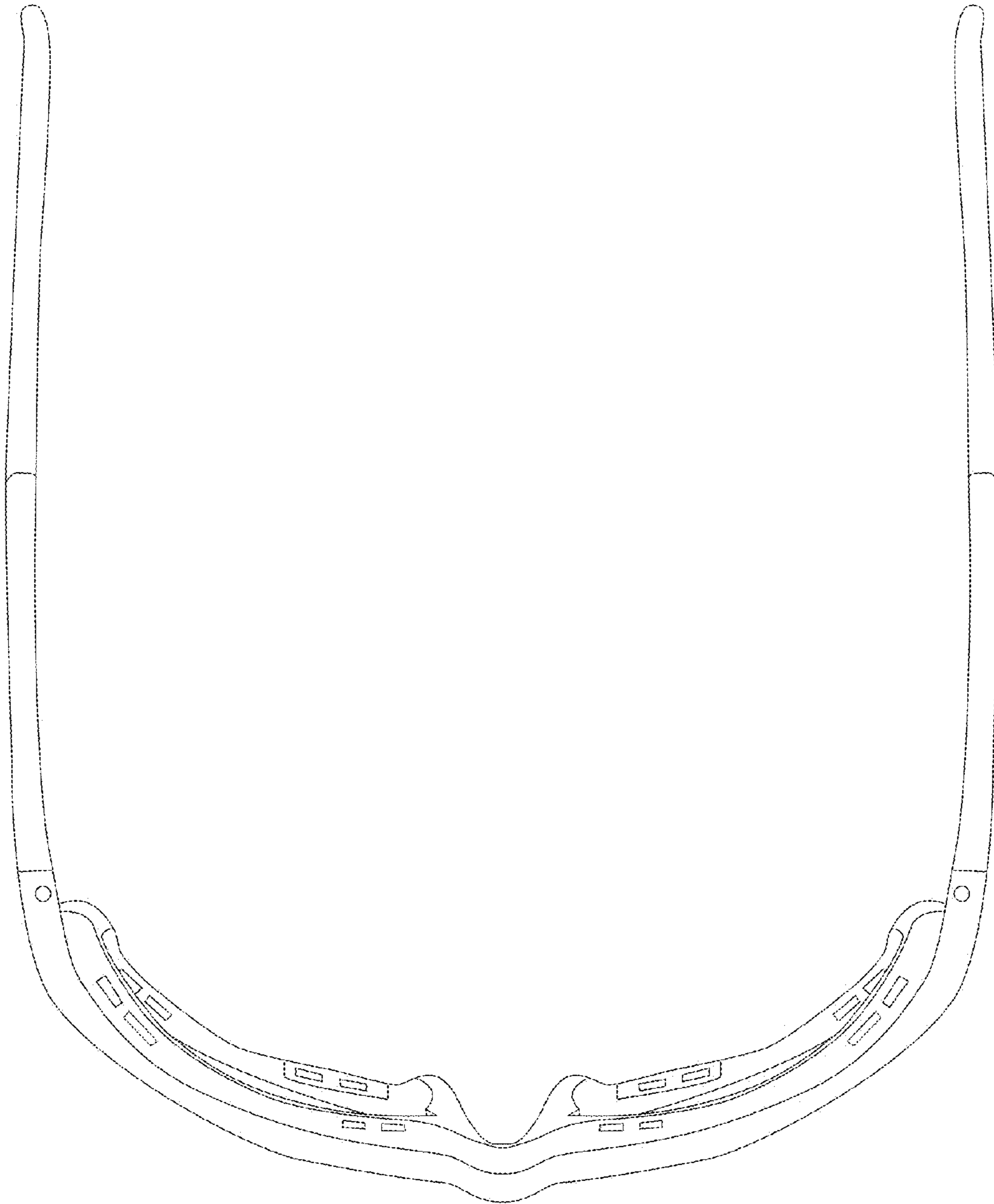


FIG. 6

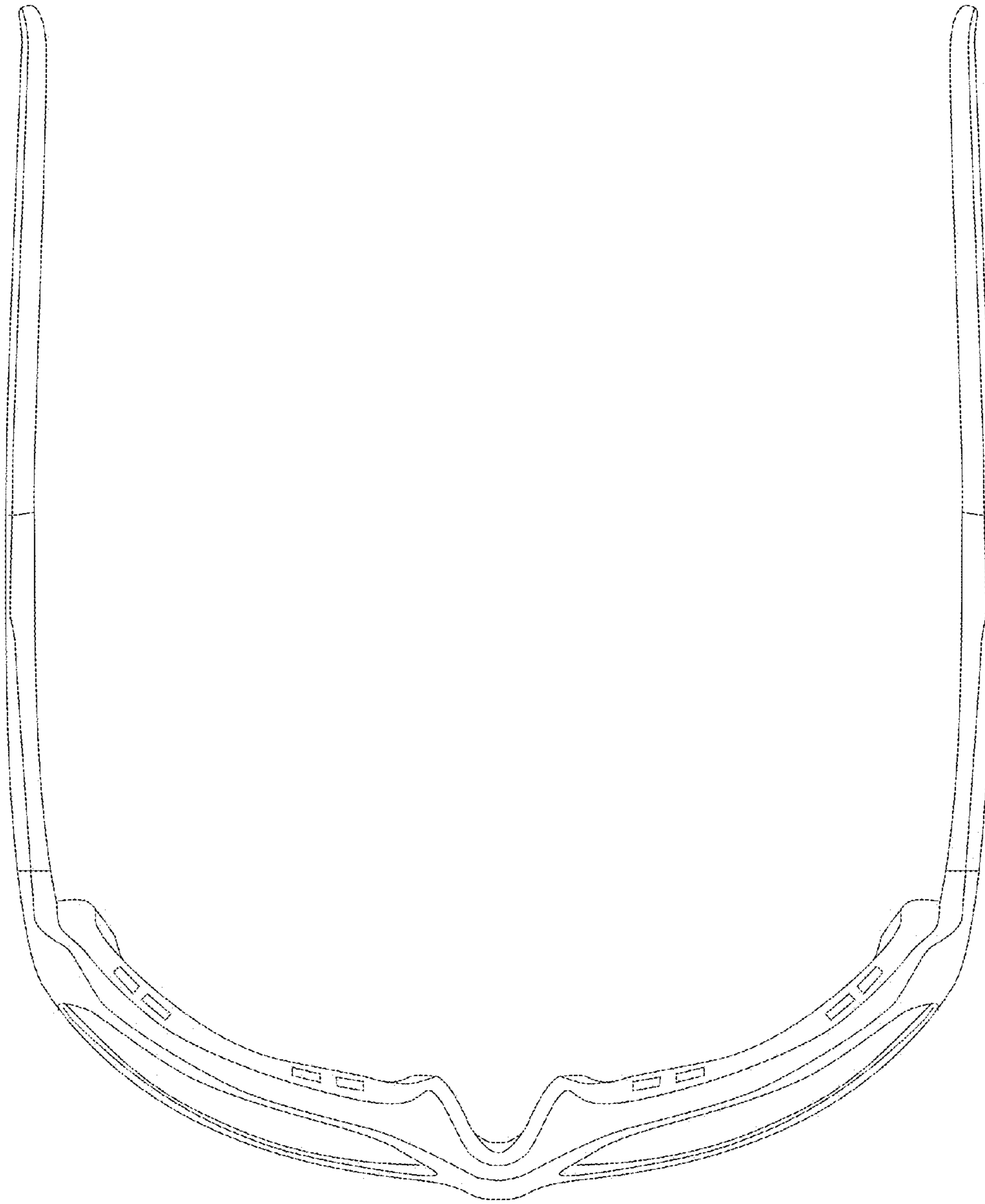


FIG. 7