



US00D748712S

(12) **United States Design Patent**  
**Tompkin**

(10) **Patent No.:** **US D748,712 S**

(45) **Date of Patent:** **\*\* Feb. 2, 2016**

(54) **KID'S CAMERA**

(71) Applicant: **MerchSource, LLC**, Irvine, CA (US)

(72) Inventor: **Crispian Tompkin**, El Segundo, CA (US)

(73) Assignee: **MerchSource, LLC**, Irvine, CA (US)

(\*\*) Term: **14 Years**

(21) Appl. No.: **29/509,823**

(22) Filed: **Nov. 21, 2014**

(51) **LOC (10) Cl.** ..... **16-01**

(52) **U.S. Cl.**  
USPC ..... **D16/218; D21/514**

(58) **Field of Classification Search**  
USPC ..... D16/200–204, 208, 218; D21/514;  
348/373–376; 396/6, 535–541, 543;  
446/408

See application file for complete search history.

(56) **References Cited**

**U.S. PATENT DOCUMENTS**

D145,982 S	11/1946	Mayer	
D146,800 S *	5/1947	Larson	D16/218
D181,353 S	11/1957	Goldfarb et al.	
D373,130 S *	8/1996	Jin	D16/218
D385,289 S	10/1997	Tsui	
D398,320 S *	9/1998	Powell	D16/200
D426,251 S	6/2000	Wood	
D438,229 S *	2/2001	Kawai	D16/218
D448,784 S *	10/2001	Perez	D16/202
6,628,901 B2 *	9/2003	Naka	G03B 7/26 396/543
D487,103 S *	2/2004	Chin	D16/208
D487,485 S	3/2004	Niu	
D527,406 S	8/2006	Lin	
D606,574 S *	12/2009	Testa	D16/200

D616,008 S *	5/2010	Enervold	D21/514
D633,122 S *	2/2011	Booker	D16/218
D697,121 S *	1/2014	Lepore	D16/218

**OTHER PUBLICATIONS**

Fisher Price Kid Tough Digital Camera; ebay.com; [http://cgi.ebay.com/Fisher-Price-Digital-CAMERA-Kid Tough-BLUE-/150](http://cgi.ebay.com/Fisher-Price-Digital-CAMERA-Kid_Tough-BLUE-/150); printed from the Internet on Apr. 29, 2010; 3pp.  
Vtech Kidizoom Plus Pre-School 2.0MP Digital Camera; Toys R Us; <http://www.toysrus.com/product/index.jsp?productID=2719107>; printed from the Internet on Apr. 29, 2010; 5pp.

\* cited by examiner

*Primary Examiner* — Adir Aronovich

(74) *Attorney, Agent, or Firm* — Avyno Law P.C.

(57) **CLAIM**

I claim the ornamental design for a kid's camera, as shown and described.

**DESCRIPTION**

FIG. 1 is a top and front perspective view of a kid's camera showing my new design;

FIG. 2 is a left side elevational view of the kids' camera shown in FIG. 1;

FIG. 3 is a right side elevational of the kid's camera shown in FIG. 1;

FIG. 4 is a front elevation view of the kid's camera of FIG. 1.

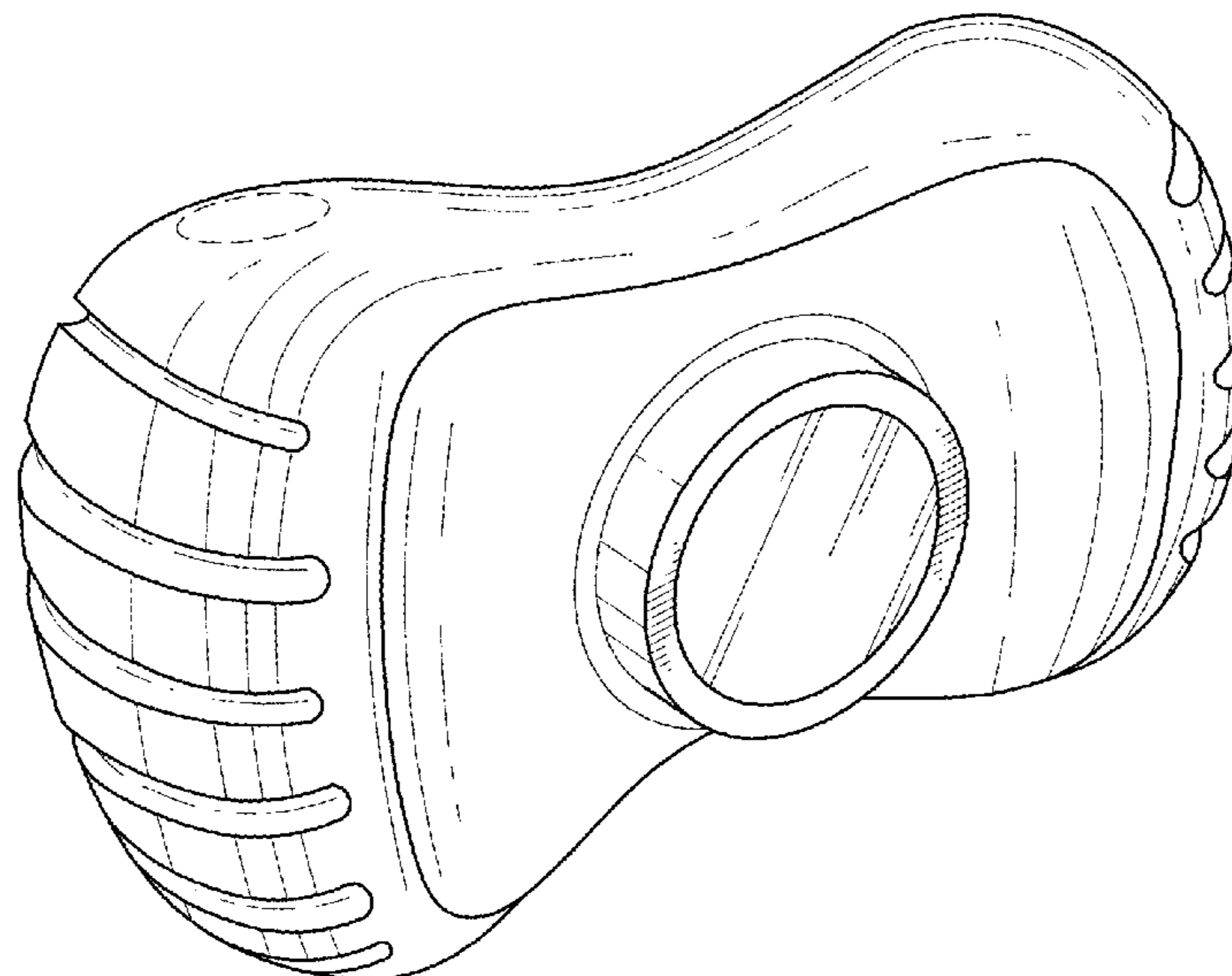
FIG. 5 is a rear elevation view of the kid's camera of FIG. 1.

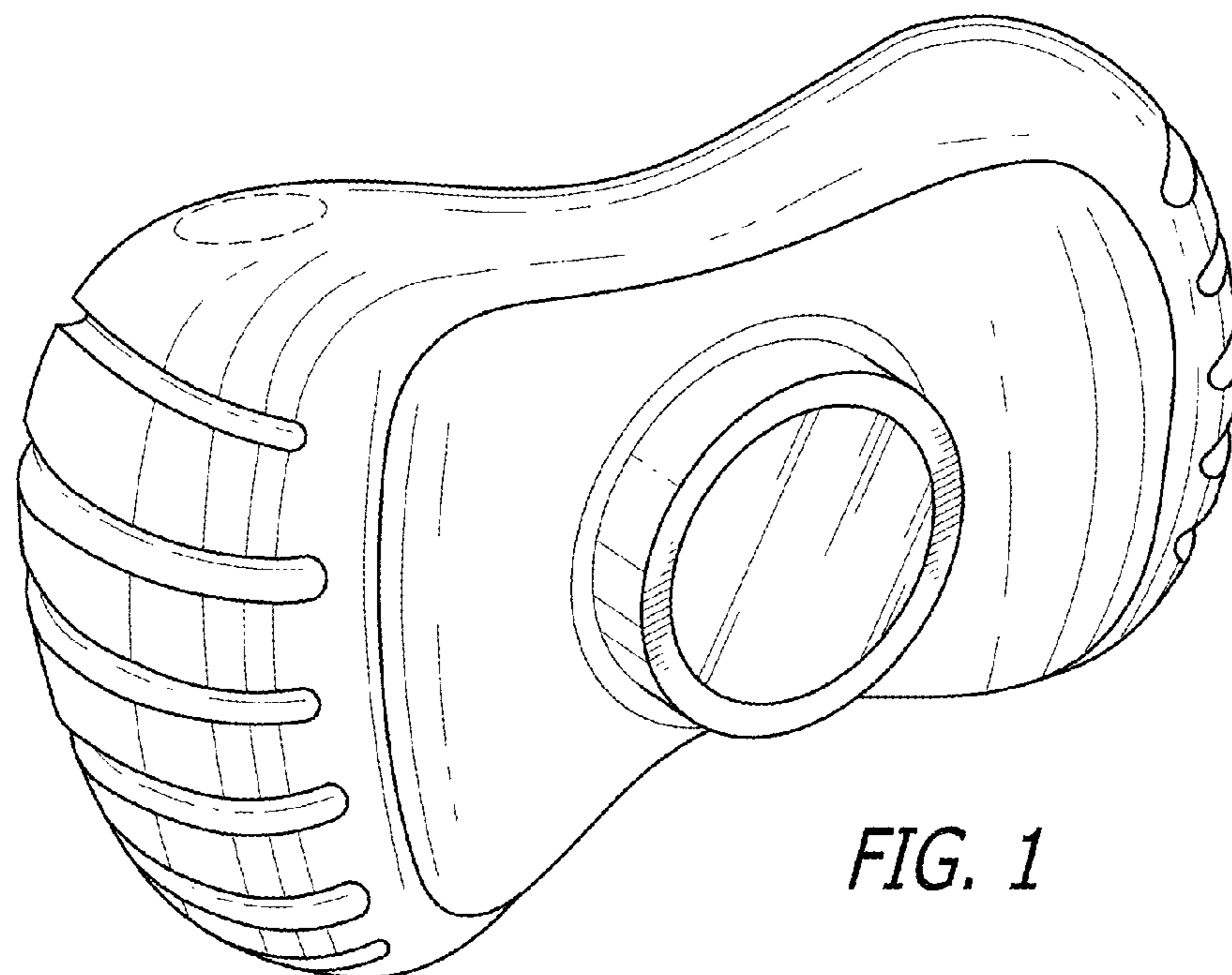
FIG. 6 is a top plan view of the kid's camera shown in FIG. 1; and,

FIG. 7 is a bottom plan view of the kid's camera shown in FIG. 1.

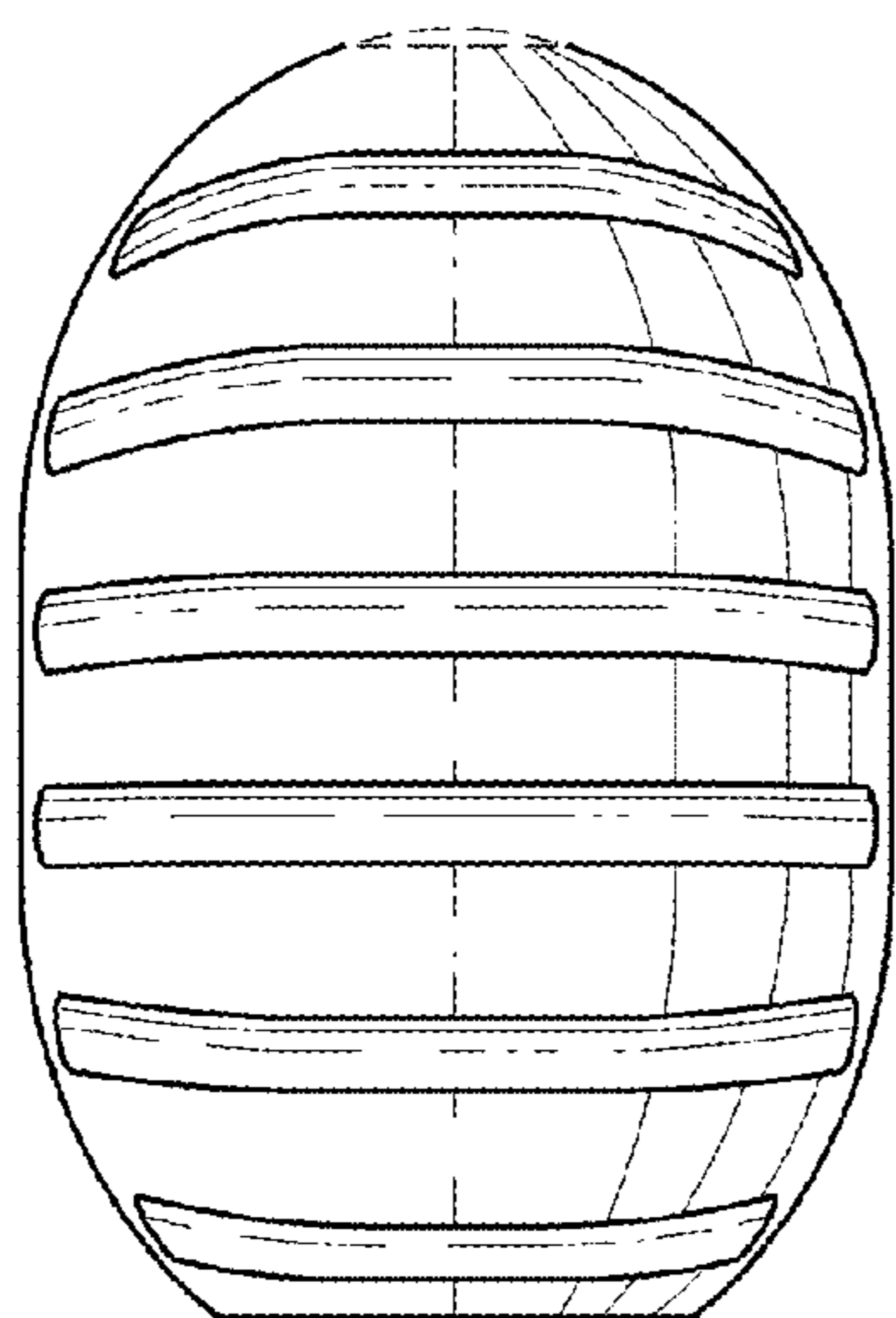
The broken lines in the drawings are shown to illustrate the portions of a camera in which the design is embodied and form no part of the claimed design.

**1 Claim, 3 Drawing Sheets**

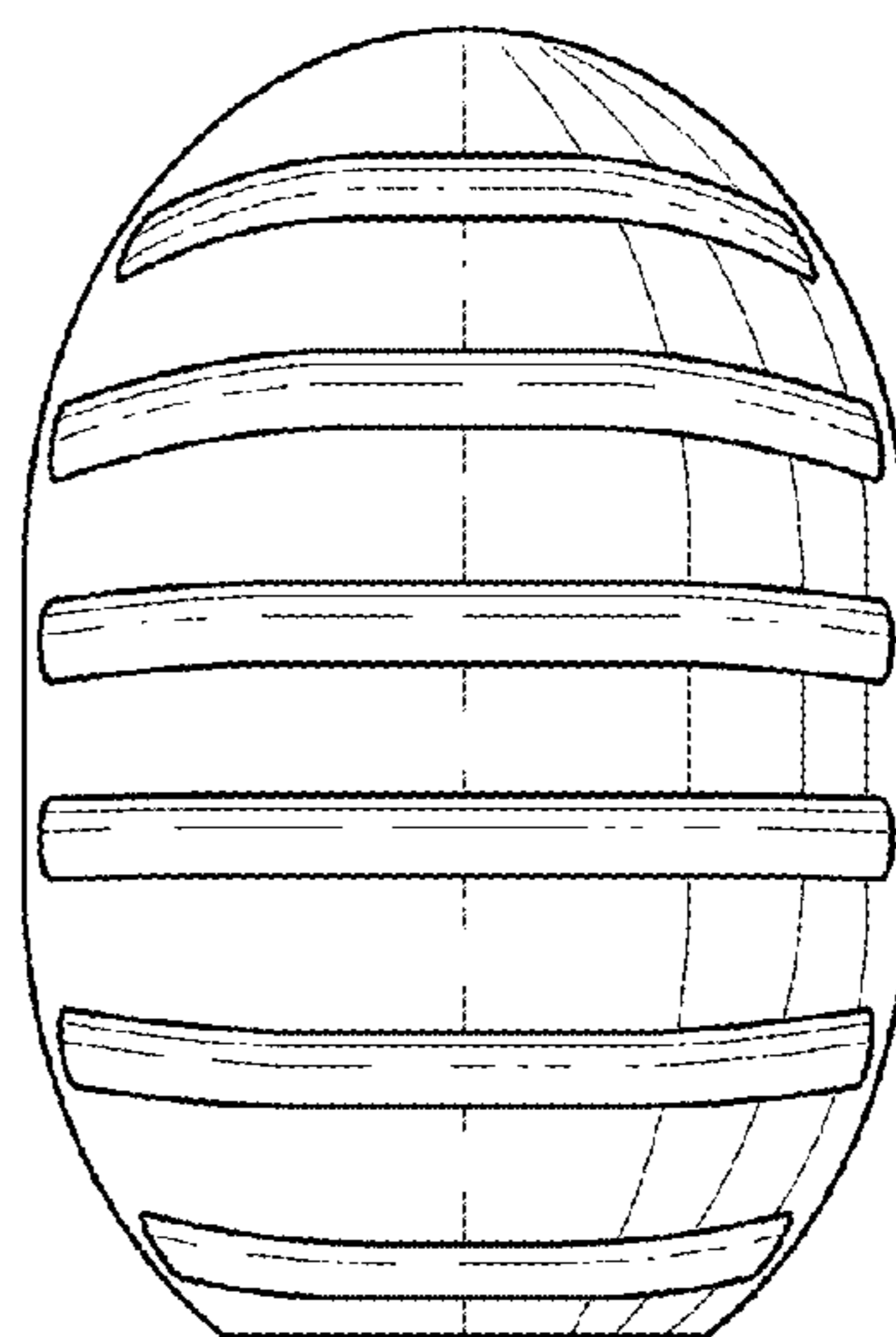




*FIG. 1*



*FIG. 2*



*FIG. 3*

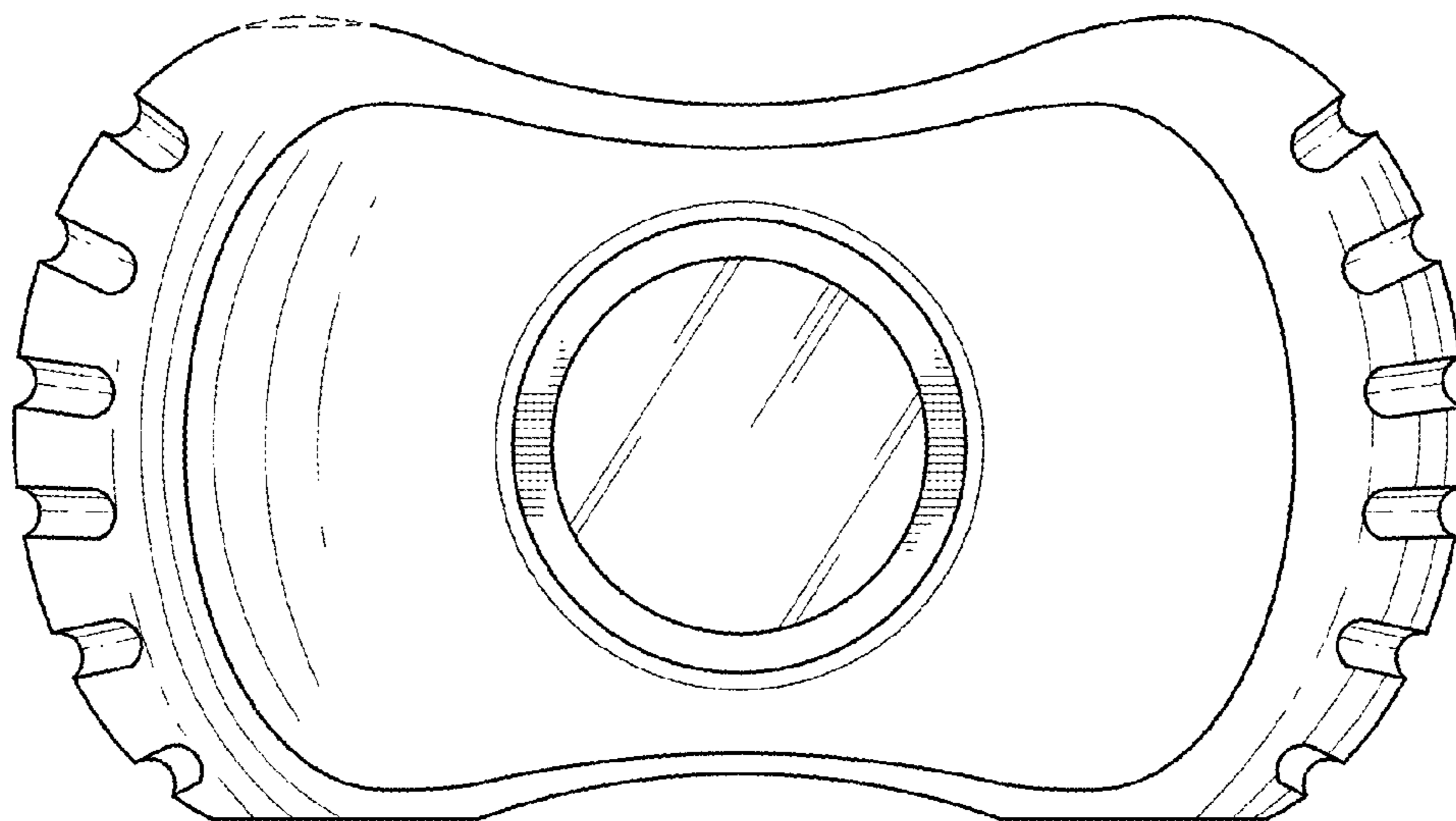


FIG. 4

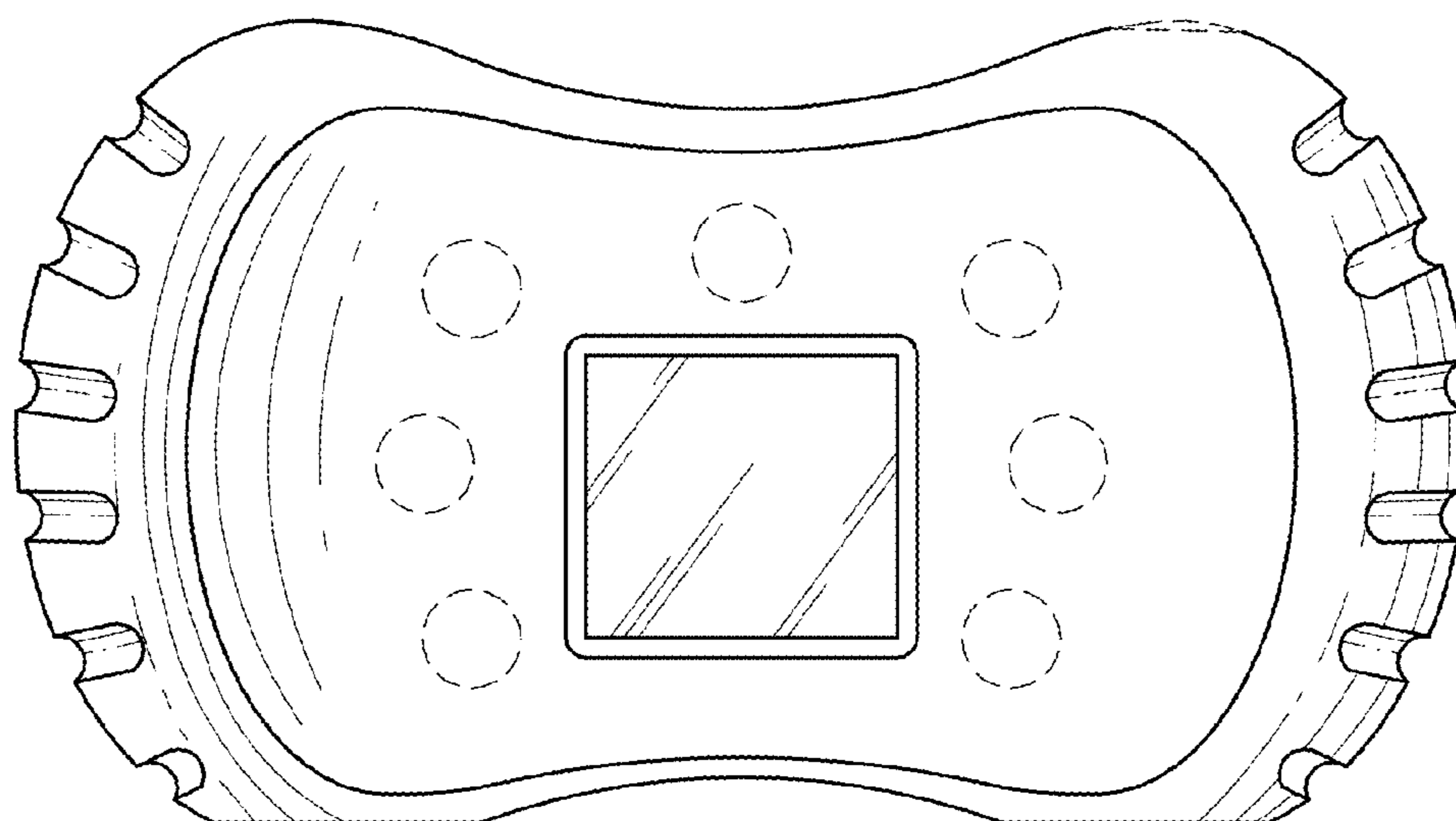
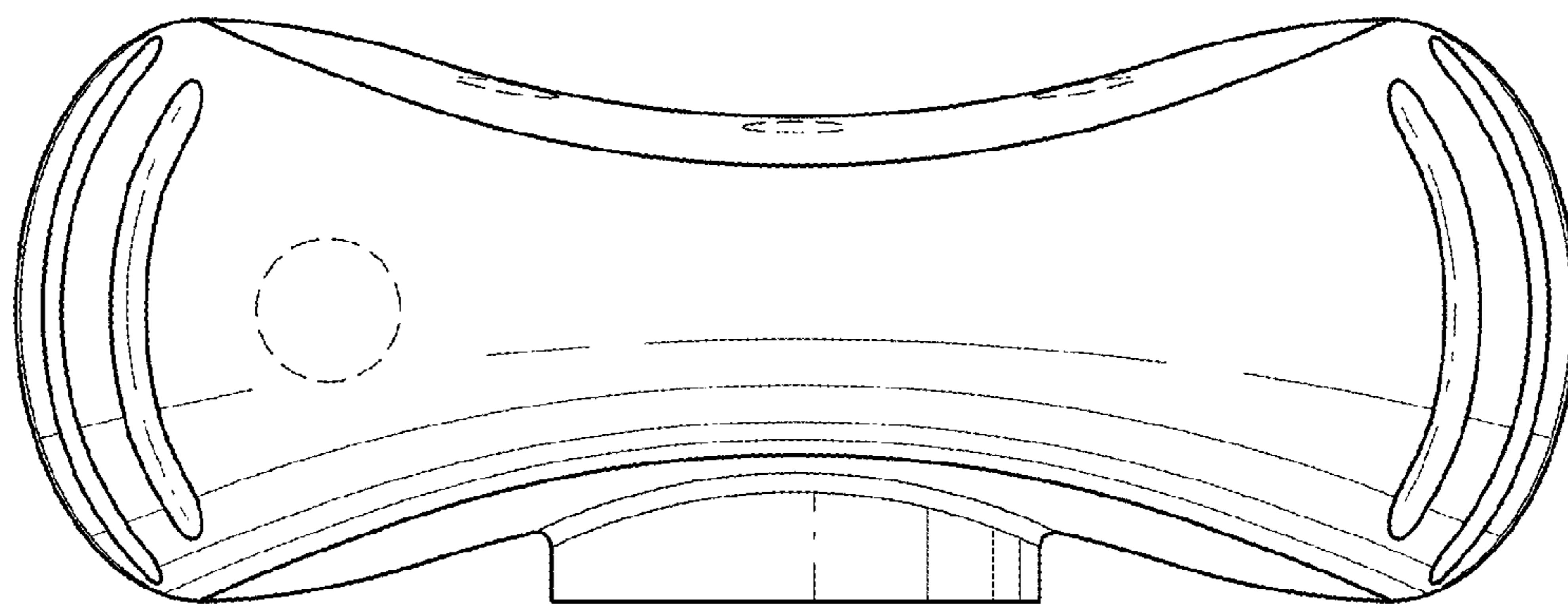
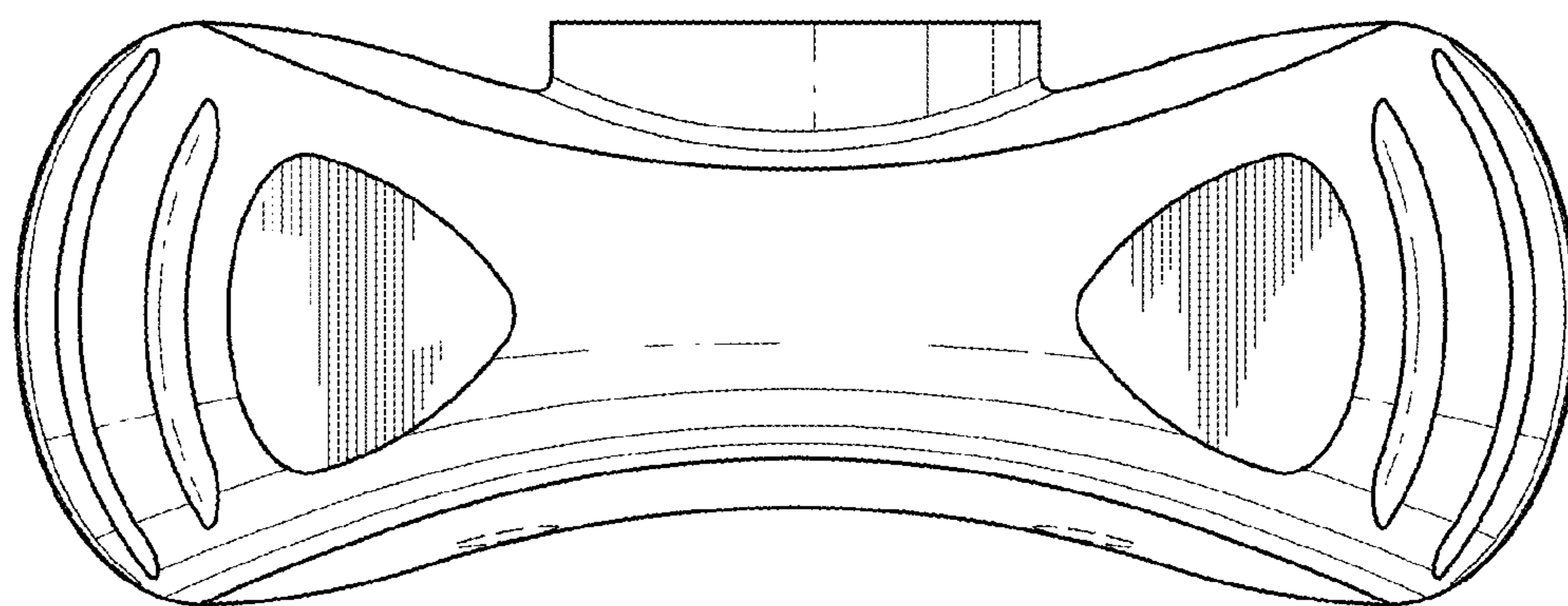


FIG. 5



*FIG. 6*



*FIG. 7*