



US00D748710S

(12) **United States Design Patent**
Bergstrom et al.

(10) **Patent No.:** **US D748,710 S**
(45) **Date of Patent:** **** Feb. 2, 2016**

(54) **MONITORING CAMERA**

(71) Applicant: **AXIS AB**, Lund (SE)

(72) Inventors: **Morten Bergstrom**, Bjarred (SE); **Ulf Lundberg**, Lund (SE); **Daniel Ahman**, Lomma (SE); **Mathias Walter**, Arlov (SE)

(73) Assignee: **AXIS AB**, Lund (SE)

(**) Term: **15 Years**

(21) Appl. No.: **29/530,649**

(22) Filed: **Jun. 18, 2015**

Related U.S. Application Data

(62) Division of application No. 29/490,269, filed on May 8, 2014.

(30) **Foreign Application Priority Data**

Nov. 13, 2013 (EP) 002344721-0001
Nov. 13, 2013 (EP) 002344721-0002
Nov. 13, 2013 (EP) 002344721-0003
Nov. 13, 2013 (EP) 002344721-0004

(51) **LOC (10) Cl.** **16-01**

(52) **U.S. Cl.**
USPC **D16/203**

(58) **Field of Classification Search**

USPC D16/200, 202–208, 218, 219, 242;
348/143, 148, 151, 373–376; 396/419,
396/427, 535, 539–541; 248/176.1, 183.4,
248/187.1
CPC G03B 17/02; G03B 19/04; G03B 17/56;
G03B 17/04; G03B 15/03; H04N 5/2251;
H04N 5/2252; H04N 5/2253; H04N 5/2254;
H04N 7/181; H04N 7/183; H04N 7/18

See application file for complete search history.

(56) **References Cited**

U.S. PATENT DOCUMENTS

4,394,692 A 7/1983 Randmae et al.
4,414,576 A 11/1983 Randmae
D273,012 S 3/1984 Kozloski
5,224,675 A * 7/1993 Ellenberger et al. 248/183.4
D403,340 S 12/1998 Arbuckle
D472,260 S 3/2003 Higgins et al.
6,894,724 B2 * 5/2005 Patel et al. 348/373
D552,145 S * 10/2007 Grotto D16/203
D607,033 S 12/2009 Arbuckle et al.
7,762,731 B2 7/2010 Arbuckle et al.

(Continued)

OTHER PUBLICATIONS

AXIS Communications, "AXIS M1113-E Network Camera," www.axis.com/en/products/cam_m1113e/index.htm, 2014, 2 pgs.

Primary Examiner — Adir Aronovich

Assistant Examiner — Ramzi Almatrahi

(74) *Attorney, Agent, or Firm* — Volpe and Koenig, P.C.

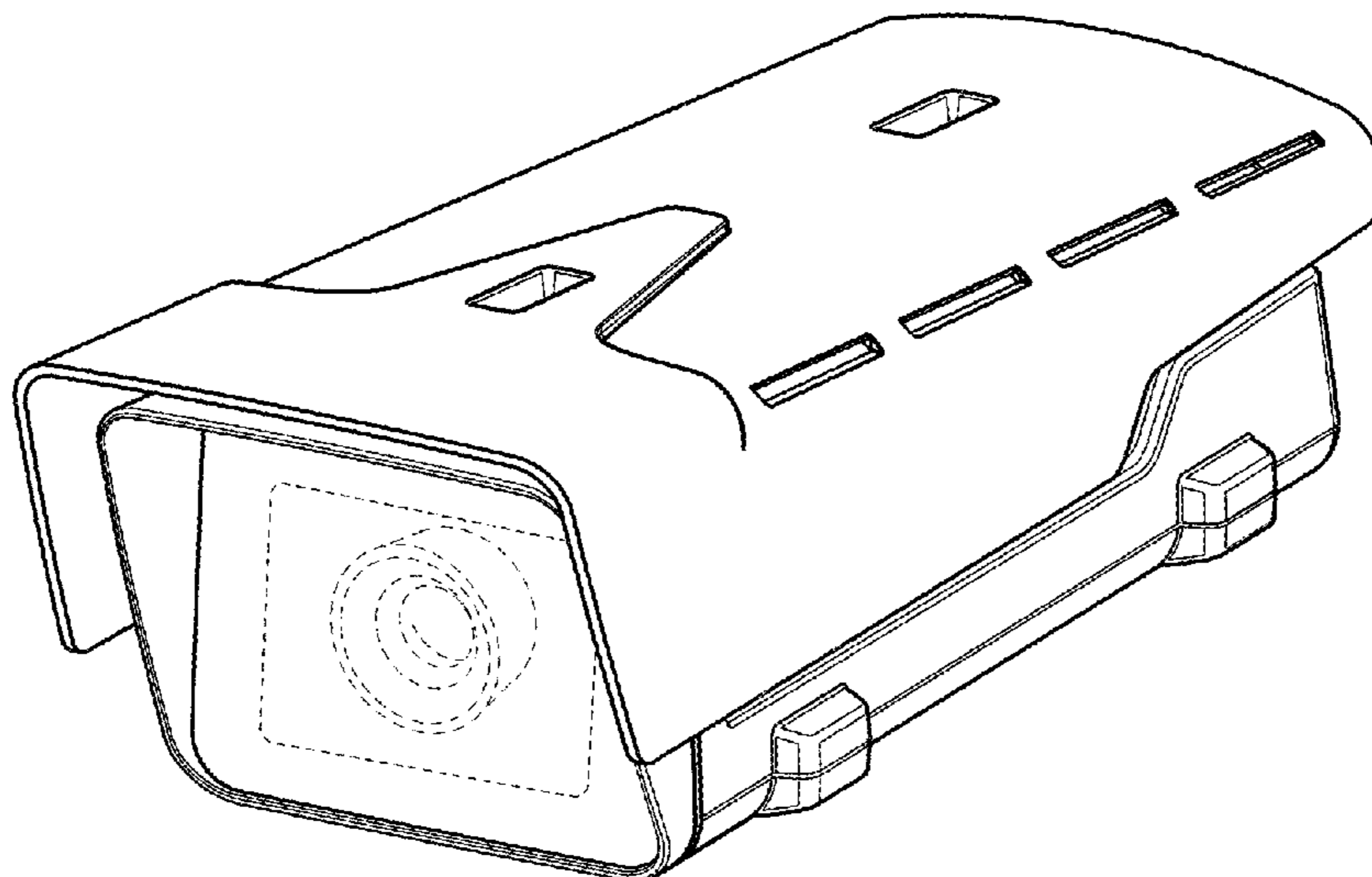
(57) **CLAIM**

The ornamental design for a monitoring camera, as shown and described.

DESCRIPTION

FIG. 1 is a top, front, and right side perspective view of a monitoring camera showing our new design; FIG. 2 is a front elevational view thereof; FIG. 3 is a right side elevational view thereof; FIG. 4 is a top plan view thereof; FIG. 5 is a left side elevational view thereof; FIG. 6 is a bottom plan view thereof; and, FIG. 7 is a rear elevational view thereof. The broken lines depict portions of a monitoring camera in which the design is embodied and form no part of the claimed design.

1 Claim, 3 Drawing Sheets



(56)

References Cited

U.S. PATENT DOCUMENTS

D634,347 S *	3/2011	Park	D16/203	8,118,499 B2 *	2/2012	Tremblay	396/427
D638,871 S	5/2011	Bergstrom et al.		D661,719 S *	6/2012	Katori et al.	D16/203
D642,607 S	8/2011	Bergstrom et al.		D679,308 S	4/2013	Park et al.	
D643,454 S	8/2011	Zaliauskas et al.		D684,619 S	6/2013	Chapple et al.	
				D691,187 S *	10/2013	Seo et al.	D16/203
				D723,603 S *	3/2015	Hess, Jr.	D16/203
				2011/0052179 A1	3/2011	Jung et al.	

* cited by examiner

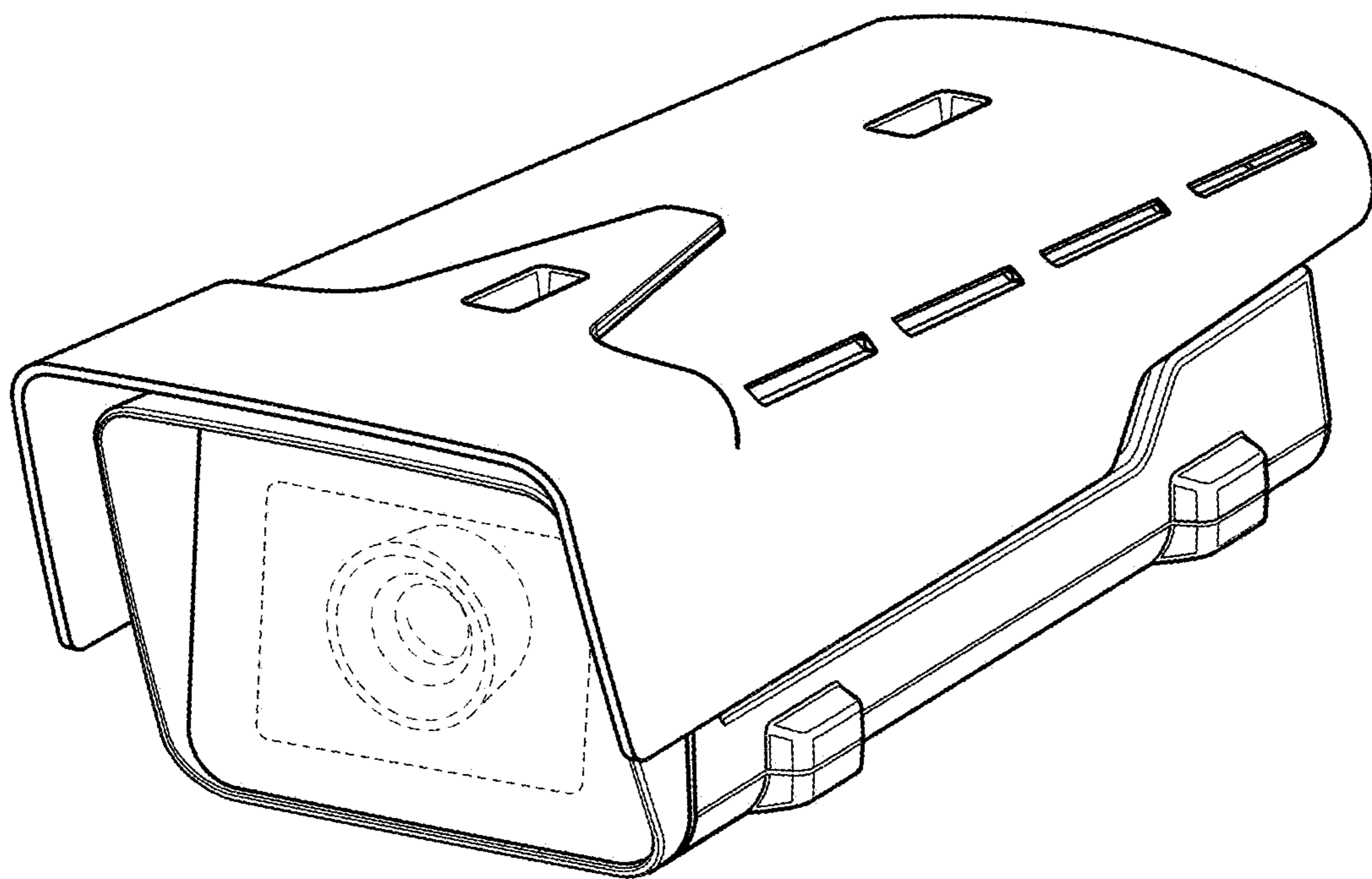


Figure 1

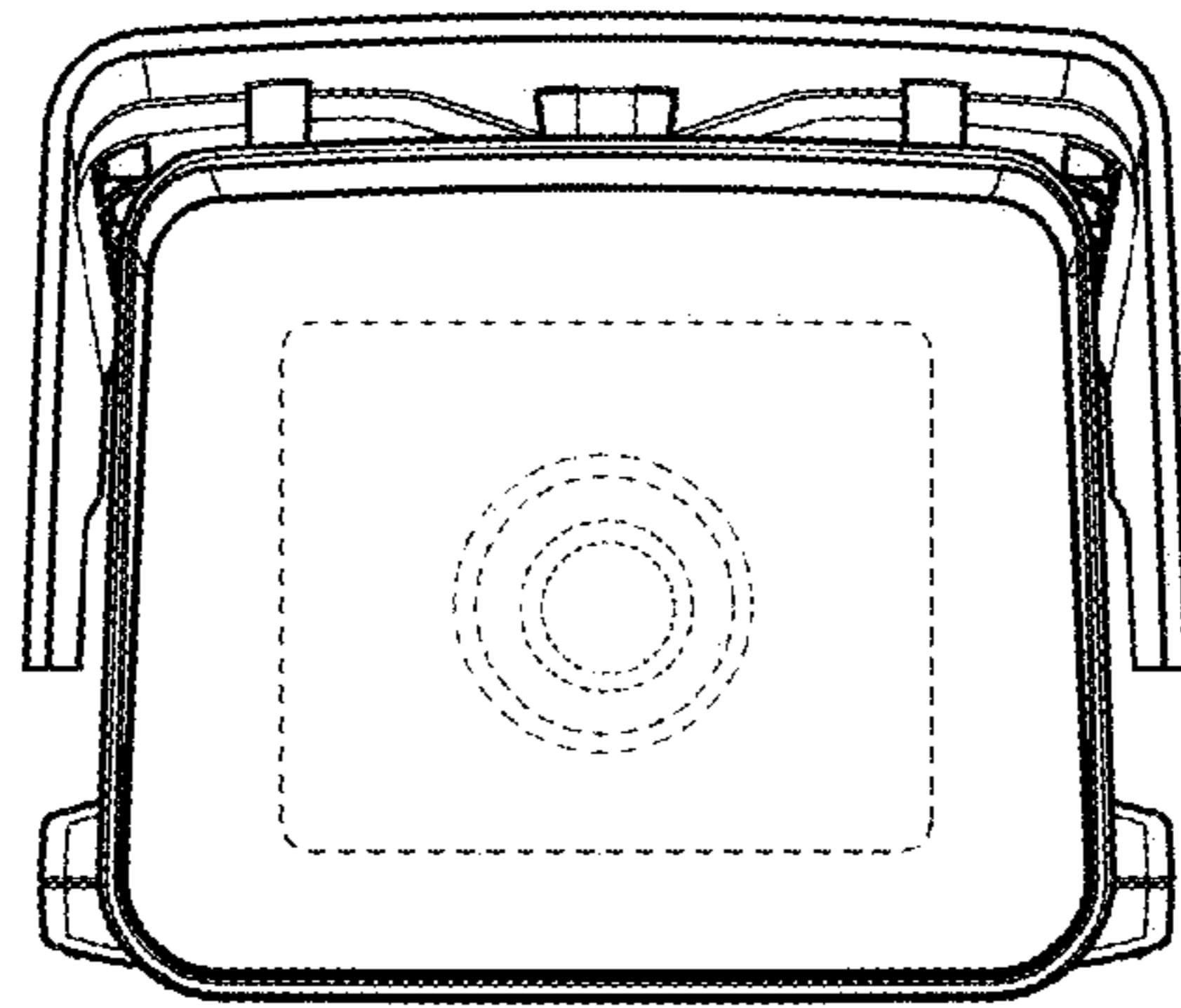


Figure 2

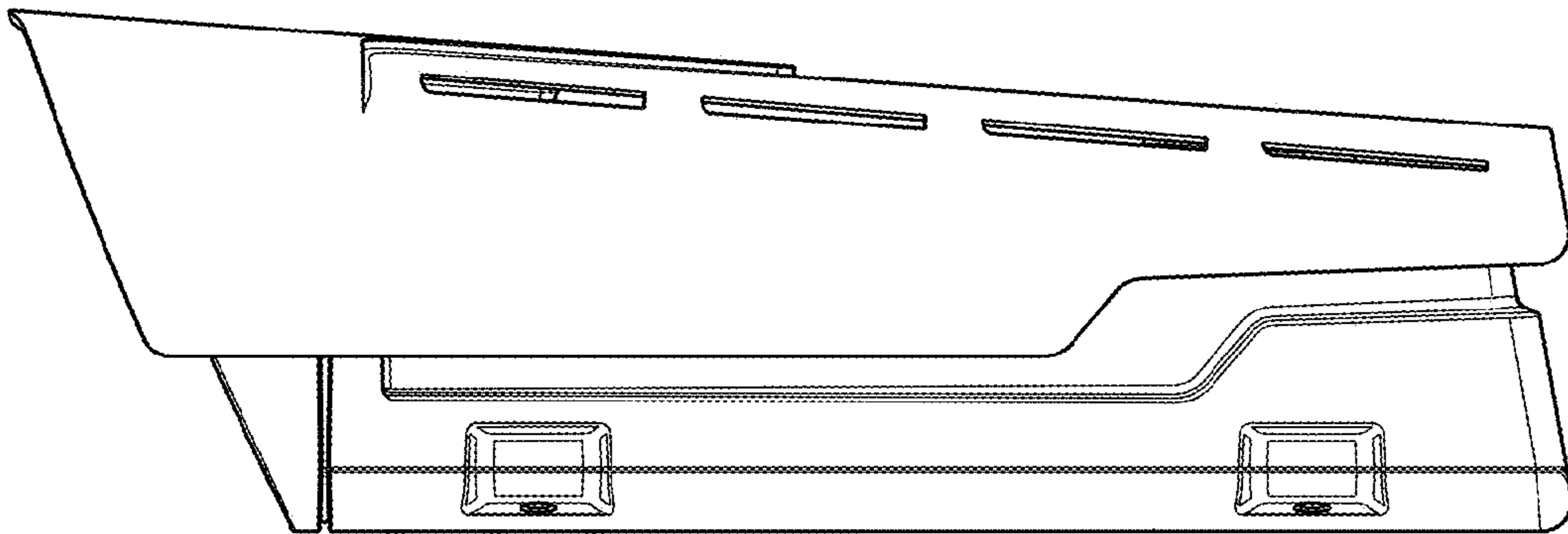


Figure 3

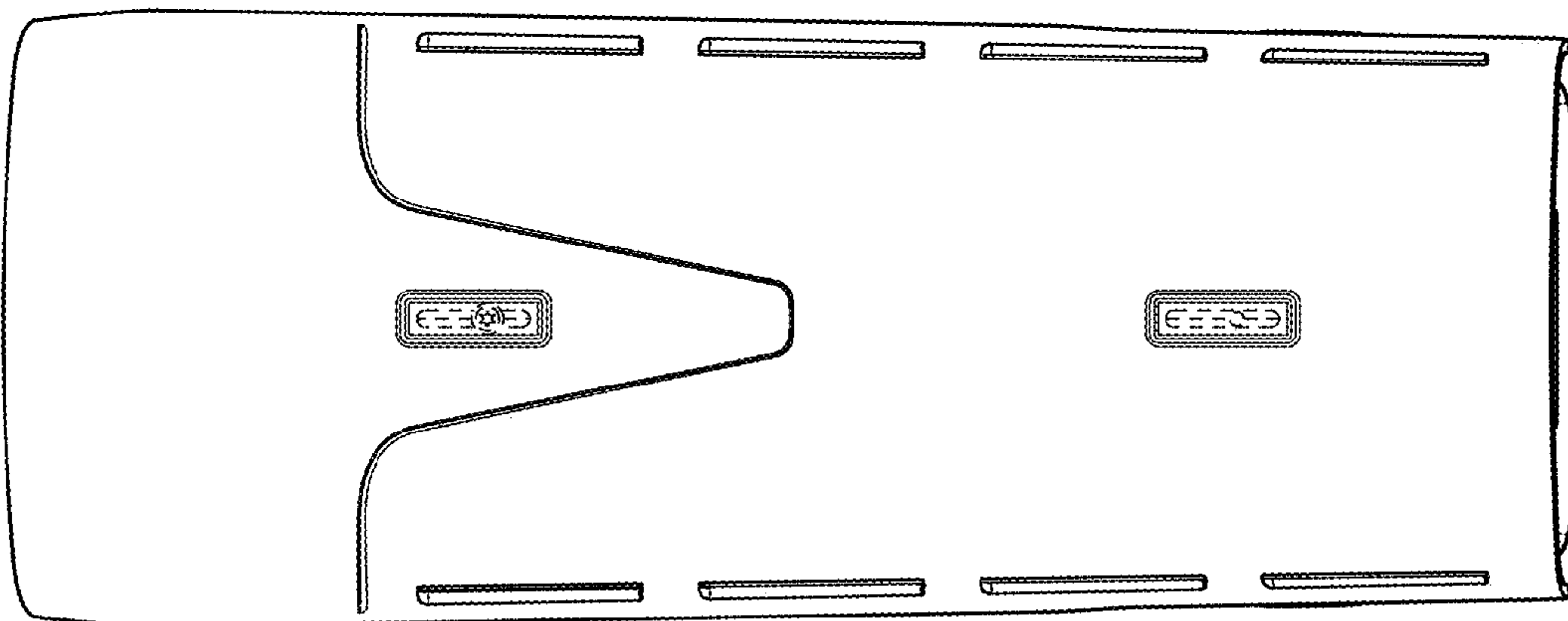


Figure 4

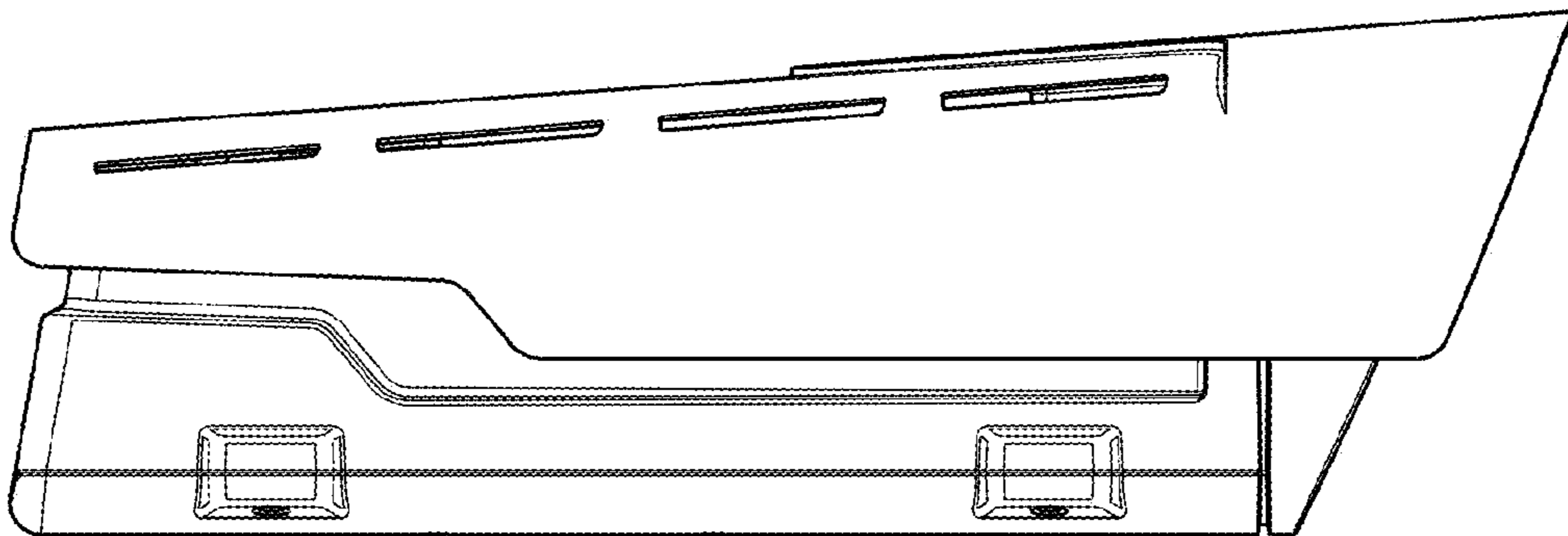


Figure 5

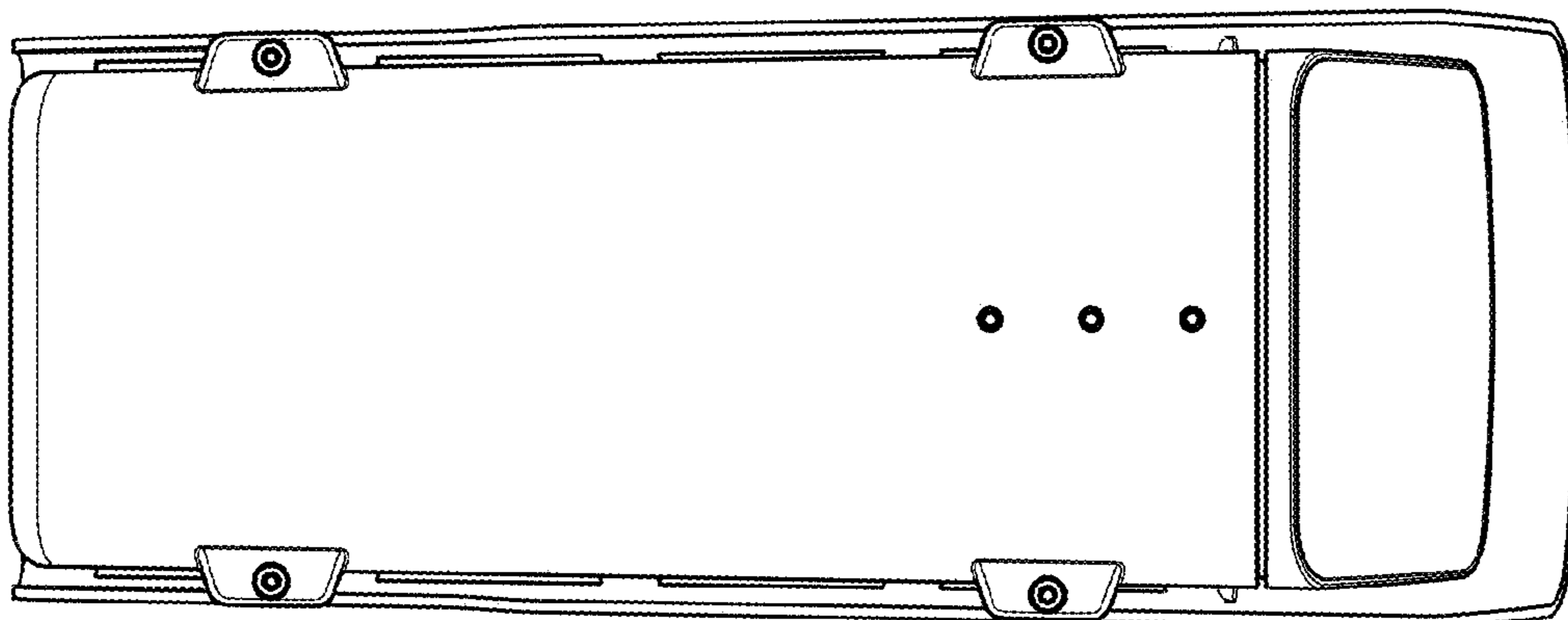


Figure 6



Figure 7