



US00D748709S

(12) **United States Design Patent**
Jeong

(10) **Patent No.:** **US D748,709 S**
(45) **Date of Patent:** **** Feb. 2, 2016**

(54) **IP CAMERA**

(71) Applicant: **LG INNOTEK CO., LTD.**, Seoul (KR)

(72) Inventor: **Ki Hyun Jeong**, Seoul (KR)

(73) Assignee: **LG INNOTEK CO., LTD.**, Seoul (KR)

(**) Term: **14 Years**

(21) Appl. No.: **29/514,413**

(22) Filed: **Jan. 12, 2015**

(30) **Foreign Application Priority Data**

Nov. 21, 2014 (KR) 30-2014-0056347

(51) **LOC (10) Cl.** **16-01**

(52) **U.S. Cl.**
USPC **D16/202**

(58) **Field of Classification Search**
USPC D16/200, 202, 203, 208, 218, 219, 242;
348/14.01, 14.02, 14.1, 373-376;
396/427, 535, 539-541
CPC G03B 17/00; G03B 17/02; G03B 17/04;
H04N 5/2251; H04N 5/2252; H04N 5/2253;
H04N 5/2254; H04N 7/147; H04N 2007/145;
H04N 7/15

See application file for complete search history.

(56) **References Cited**

U.S. PATENT DOCUMENTS

D396,869 S * 8/1998 Yamakawa D16/202
D558,250 S * 12/2007 Hsia D16/203

D575,316 S * 8/2008 Liu D16/202
7,736,071 B2 * 6/2010 Wahl G03B 17/561
348/373
D649,573 S * 11/2011 Al D16/202
D680,151 S * 4/2013 Katori D16/242
D697,119 S * 1/2014 Park D16/202
D721,754 S * 1/2015 Chen D16/202
D733,781 S * 7/2015 Chen D16/202

* cited by examiner

Primary Examiner — Adir Aronovich

(74) *Attorney, Agent, or Firm* — Park, Kim & Suh, LLC

(57) **CLAIM**

The ornamental design for an IP camera, as shown and described.

DESCRIPTION

FIG. 1 is a front and right side perspective view of an IP camera showing my new design;
FIG. 2 is a front elevational view thereof;
FIG. 3 is a rear elevational view thereof;
FIG. 4 is a left side elevational view thereof, the right side view being a mirror image;
FIG. 5 is a top plan view thereof;
FIG. 6 is a bottom plan view thereof; and,
FIG. 7 is a front and right side perspective view thereof, with the UV protection cover attached to the camera.
The broken lines depict portions of the IP camera that form no part of the claimed design.

1 Claim, 7 Drawing Sheets

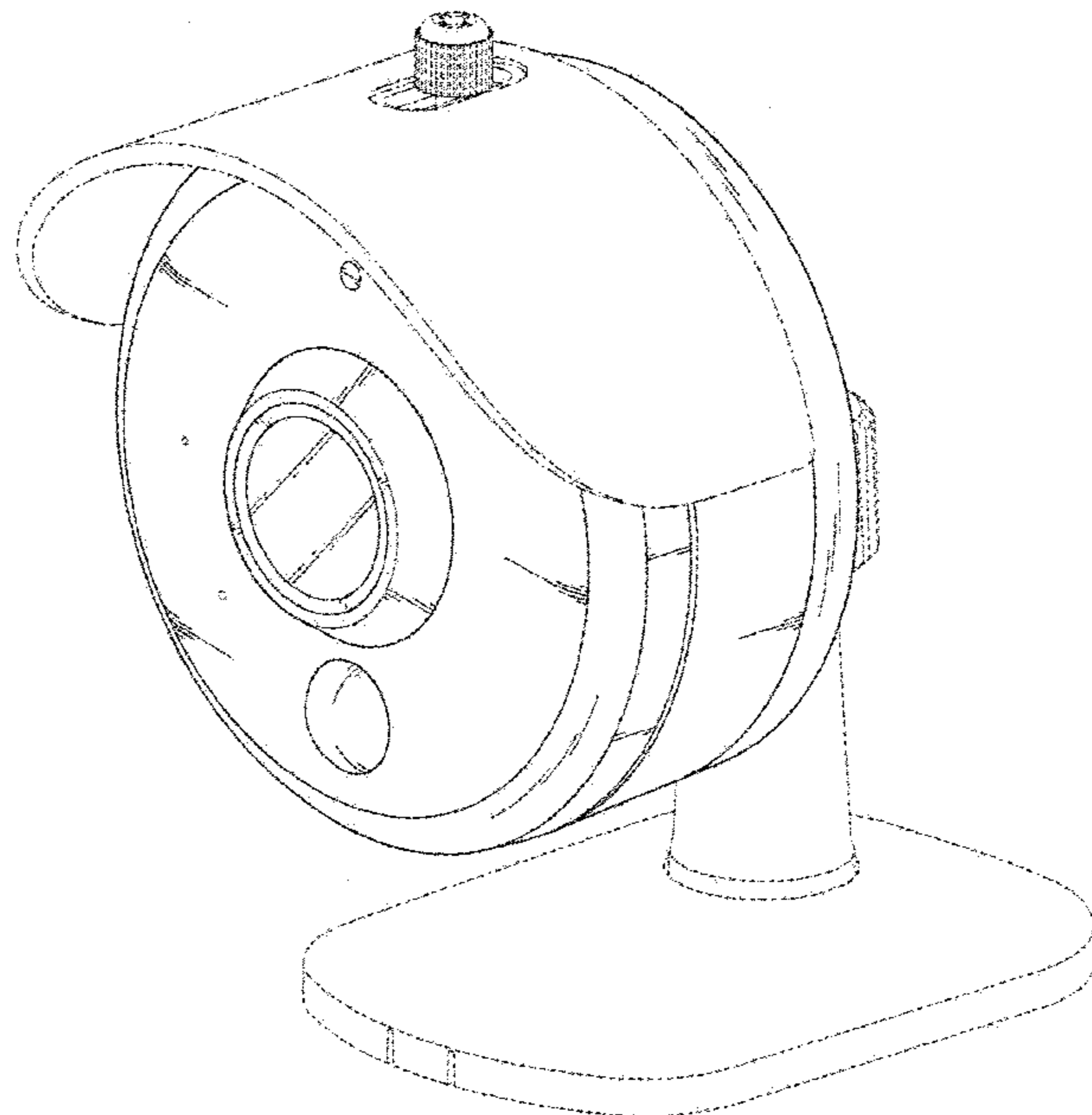
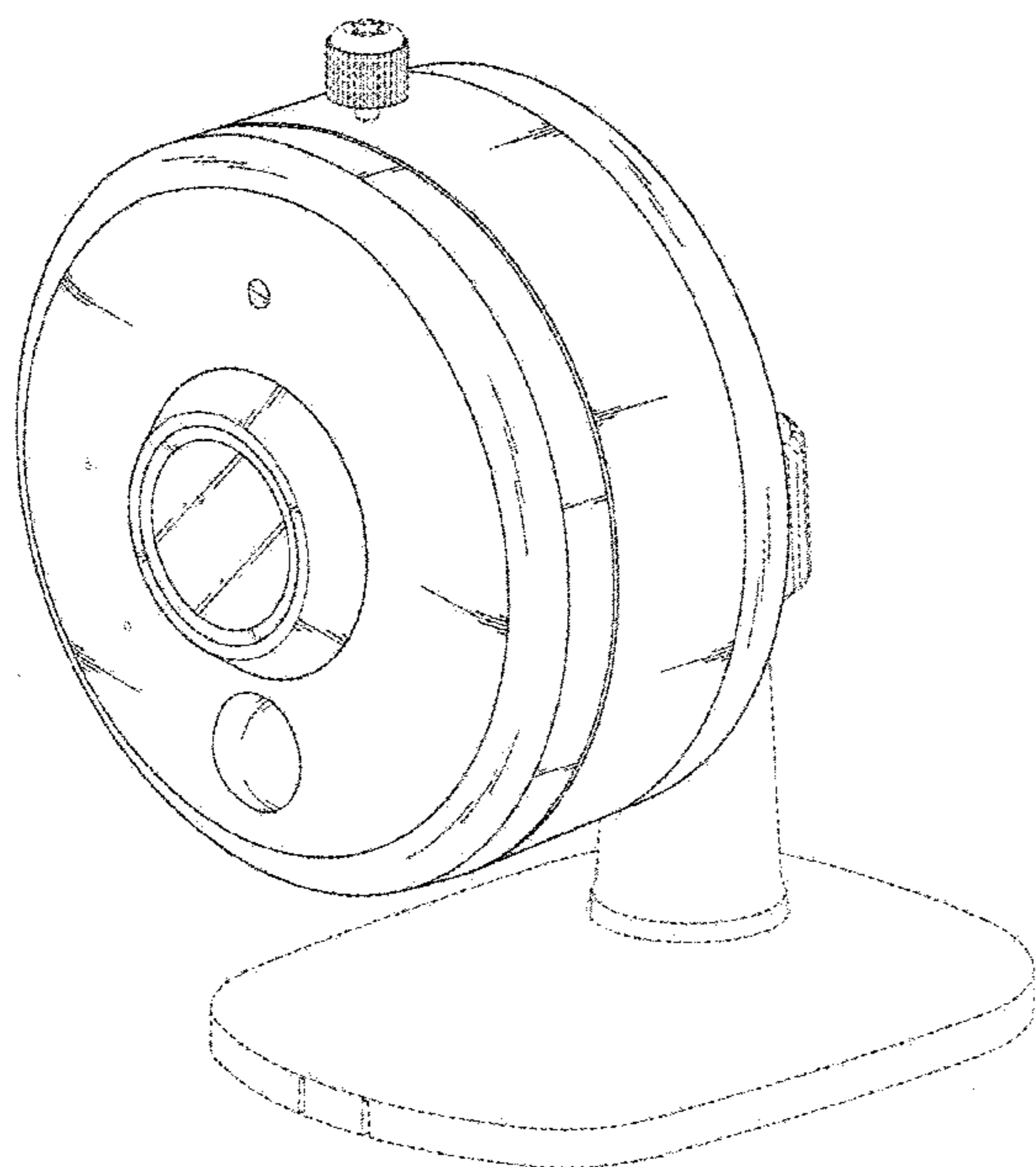


FIG. 1

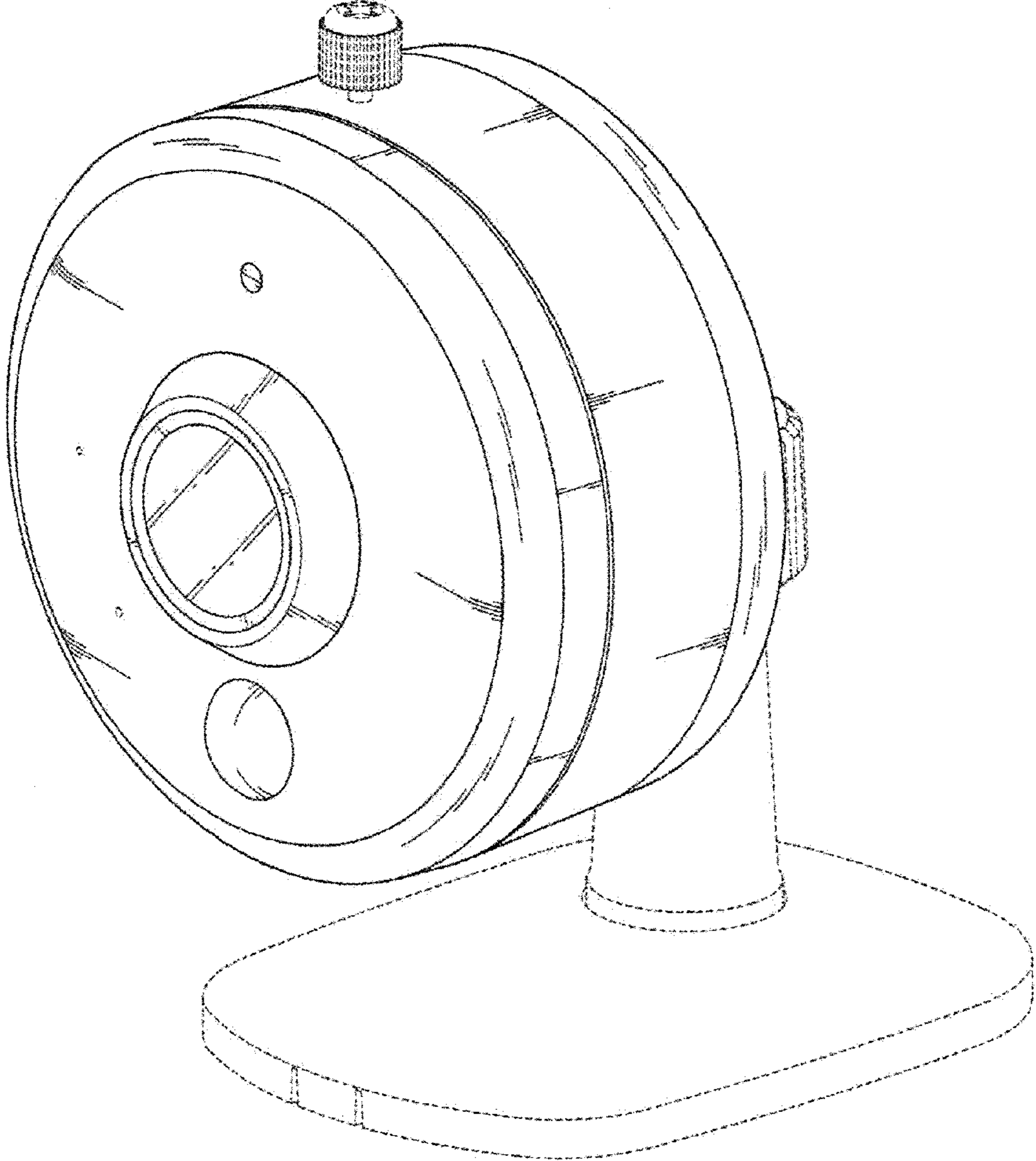


FIG. 2

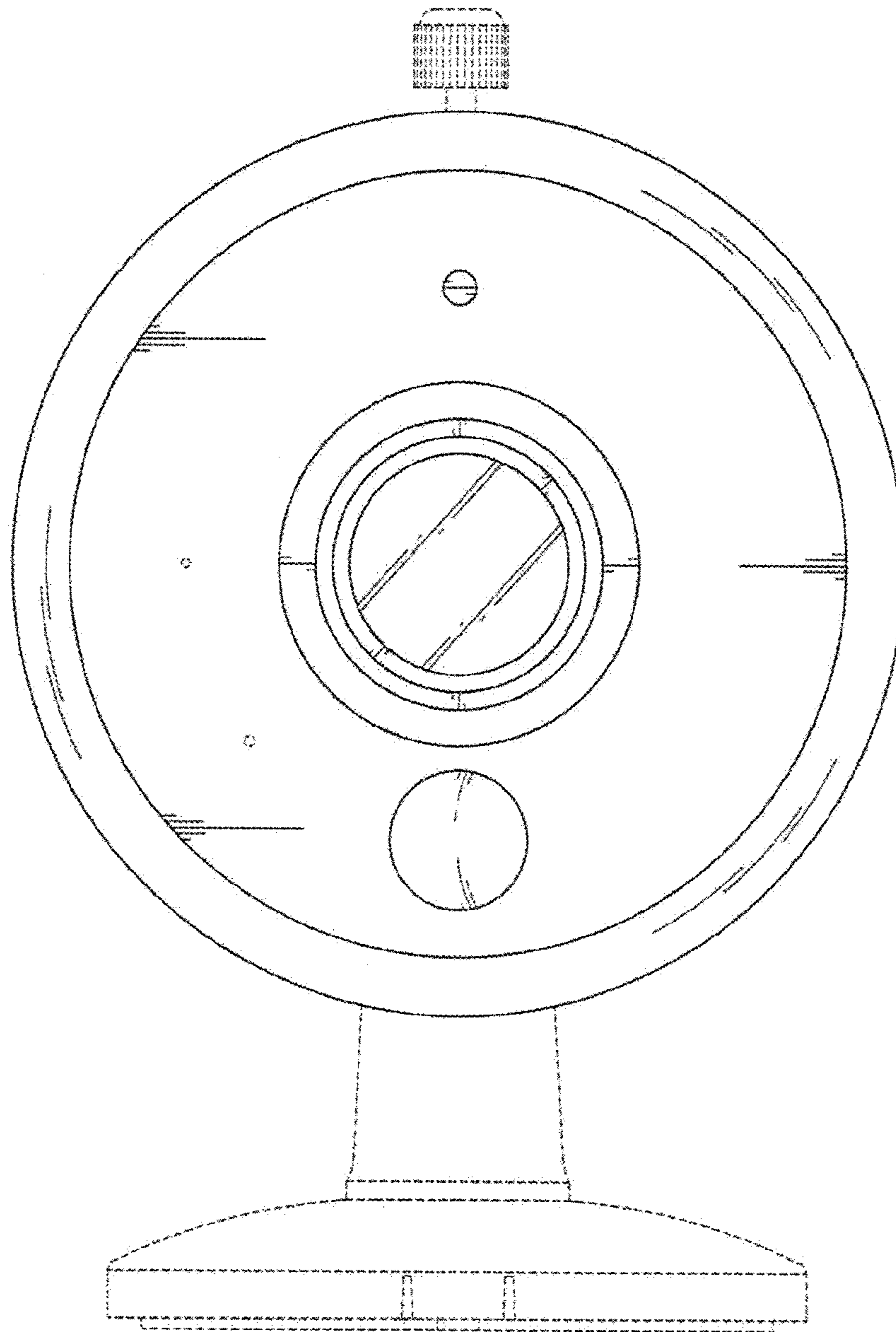


FIG. 3

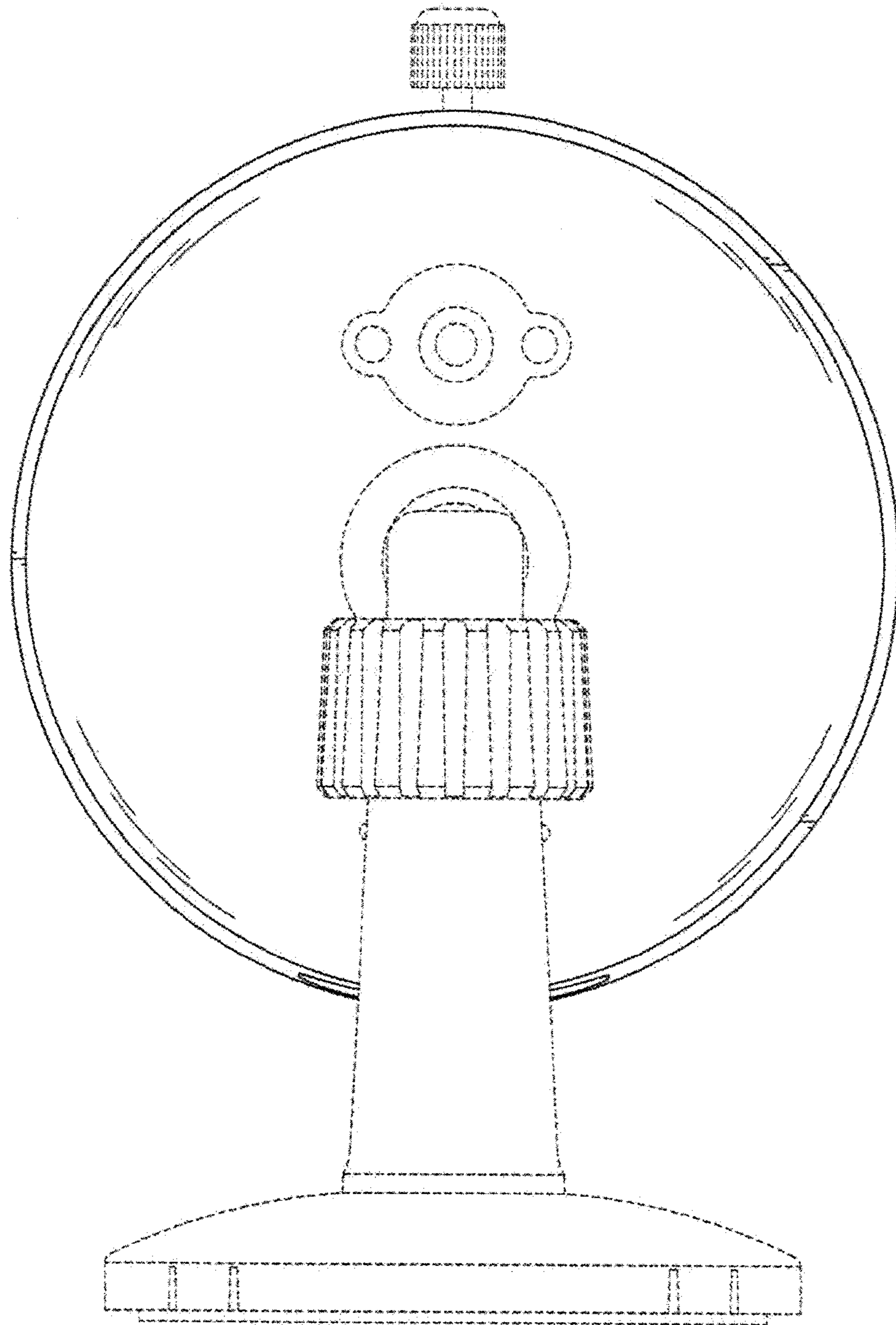


FIG. 4

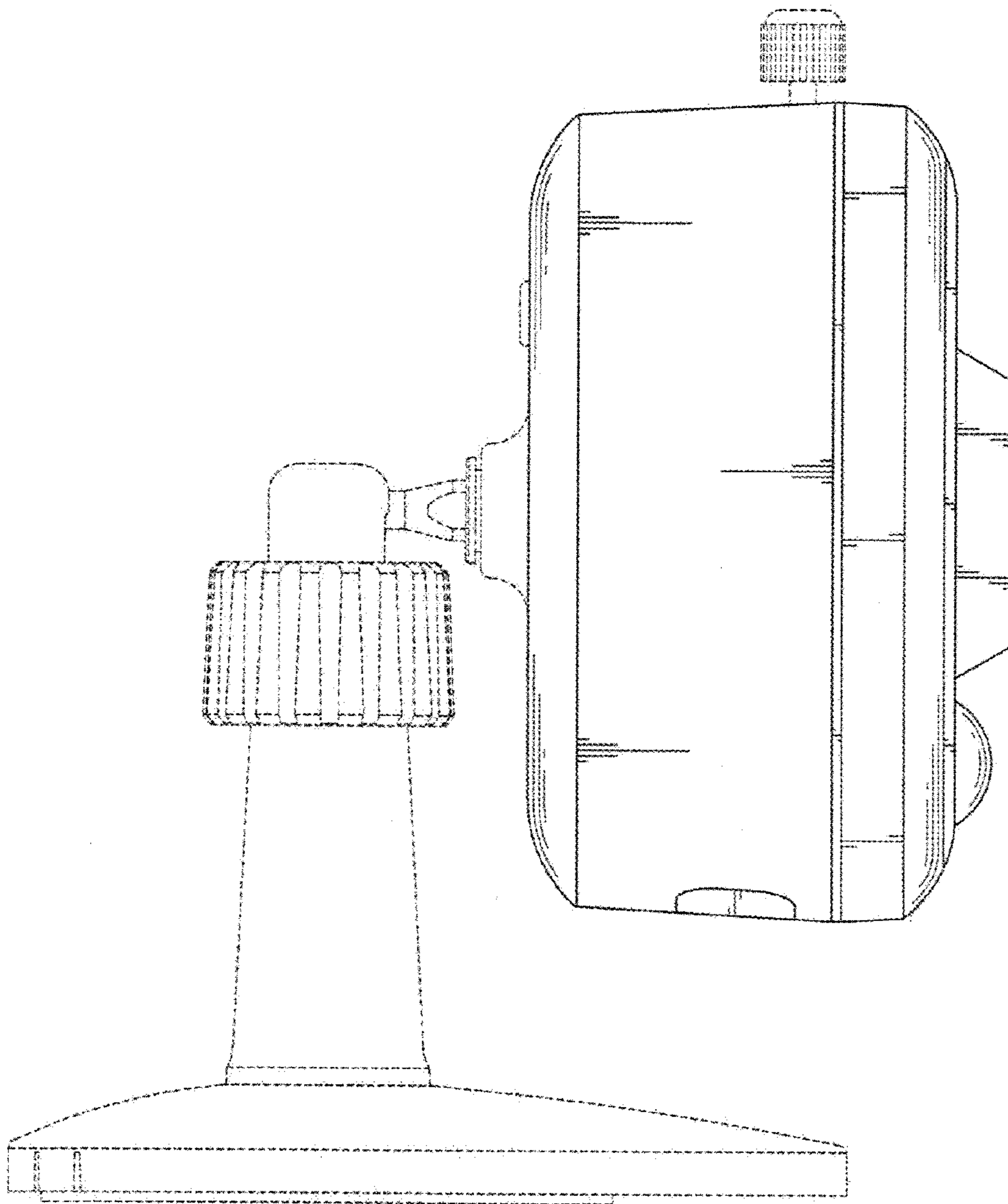


FIG. 5

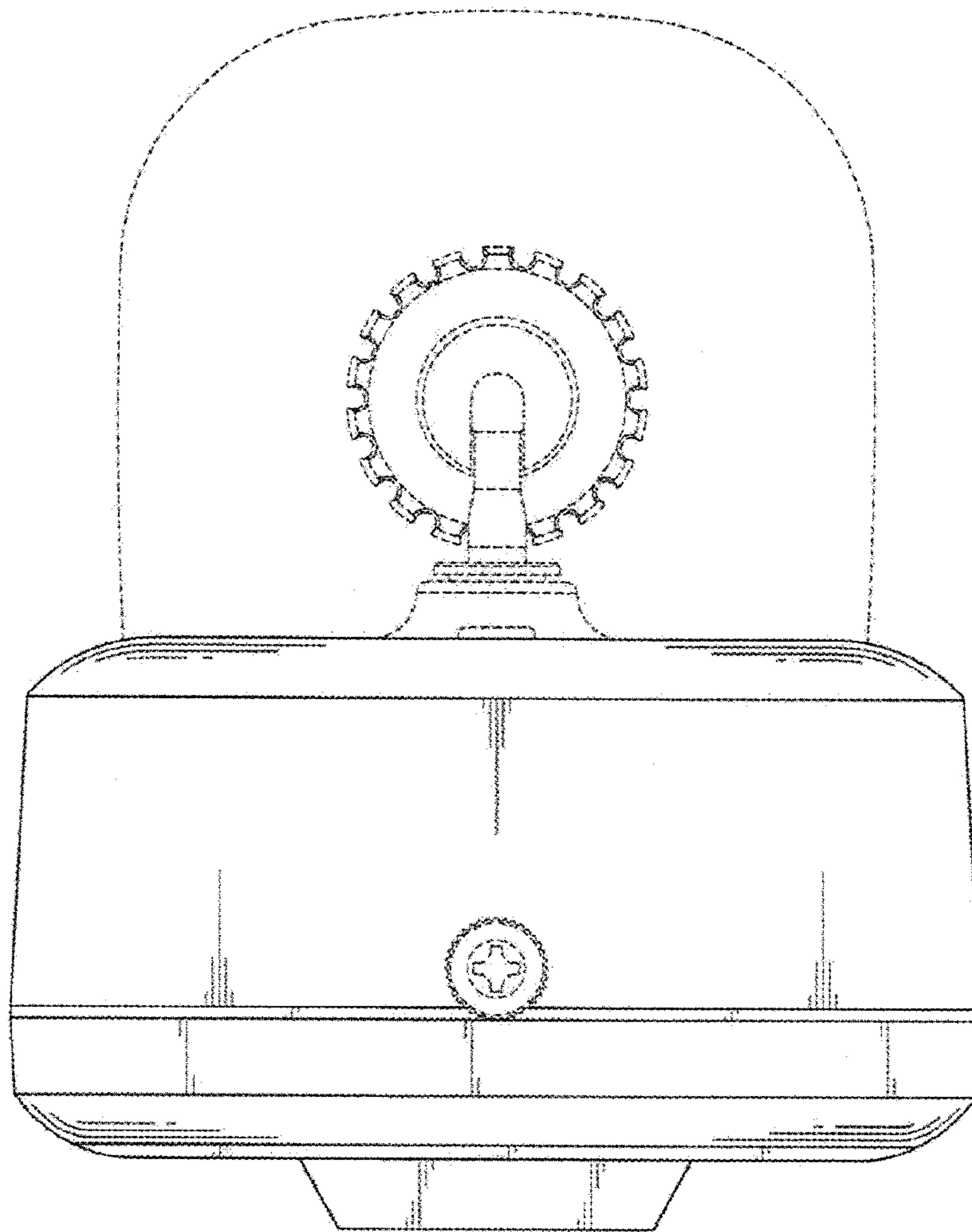


FIG. 6

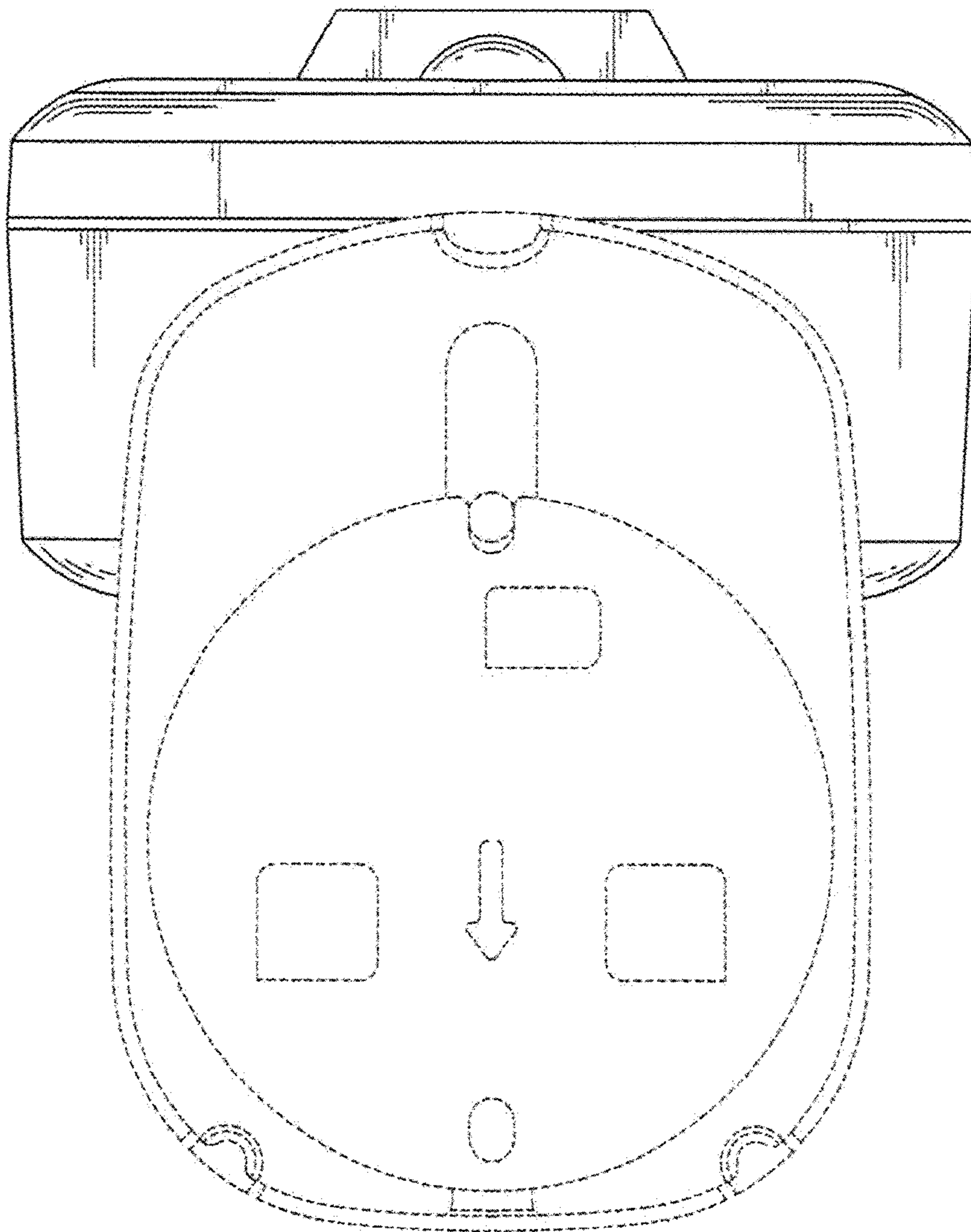


FIG. 7

