



US00D748706S

(12) **United States Design Patent**
Ominami et al.

(10) **Patent No.:** **US D748,706 S**
(45) **Date of Patent:** **** Feb. 2, 2016**

(54) **THIN MEMBRANE HOLDER FOR AN ELECTRON MICROSCOPE**

(71) Applicant: **Hitachi High-Technologies Corporation**, Minato-ku, Tokyo (JP)

(72) Inventors: **Yusuke Ominami**, Tokyo (JP);
Shinsuke Kawanishi, Tokyo (JP)

(73) Assignee: **Hitachi High-Technologies Corporation**, Tokyo (JP)

(**) Term: **14 Years**

(21) Appl. No.: **29/511,491**

(22) Filed: **Dec. 11, 2014**

(30) **Foreign Application Priority Data**

Jun. 19, 2014 (JP) 2014-013382

(51) **LOC (10) Cl.** **16-06**

(52) **U.S. Cl.**
USPC **D16/131**

(58) **Field of Classification Search**
USPC D16/131, 136; 359/369–374, 375–378,
359/391–398, 503–507, 892; 356/244–246
CPC G02B 21/24; G02B 21/34; G02B 27/0006
See application file for complete search history.

(56) **References Cited**

U.S. PATENT DOCUMENTS

2,440,472 A * 4/1948 Horner G02B 21/30
359/395
5,552,321 A * 9/1996 Focht B01L 7/00
359/395

5,922,604 A * 7/1999 Stapleton G02B 21/34
422/417
D730,962 S * 6/2015 Ominami D16/131
D731,570 S * 6/2015 Ominami D16/131
2006/0087756 A1 * 4/2006 Yu G02B 26/008
359/892
2013/0002848 A1 * 1/2013 Zijlstra G02B 21/26
348/80
2013/0170026 A1 * 7/2013 Cohen G02B 21/34
359/398
2015/0015943 A1 * 1/2015 Scheps G02B 21/24
359/398
2015/0153568 A1 * 6/2015 Lin G02B 27/0006
359/507

* cited by examiner

Primary Examiner — Wan Laymon

(74) *Attorney, Agent, or Firm* — Crowell & Moring LLP

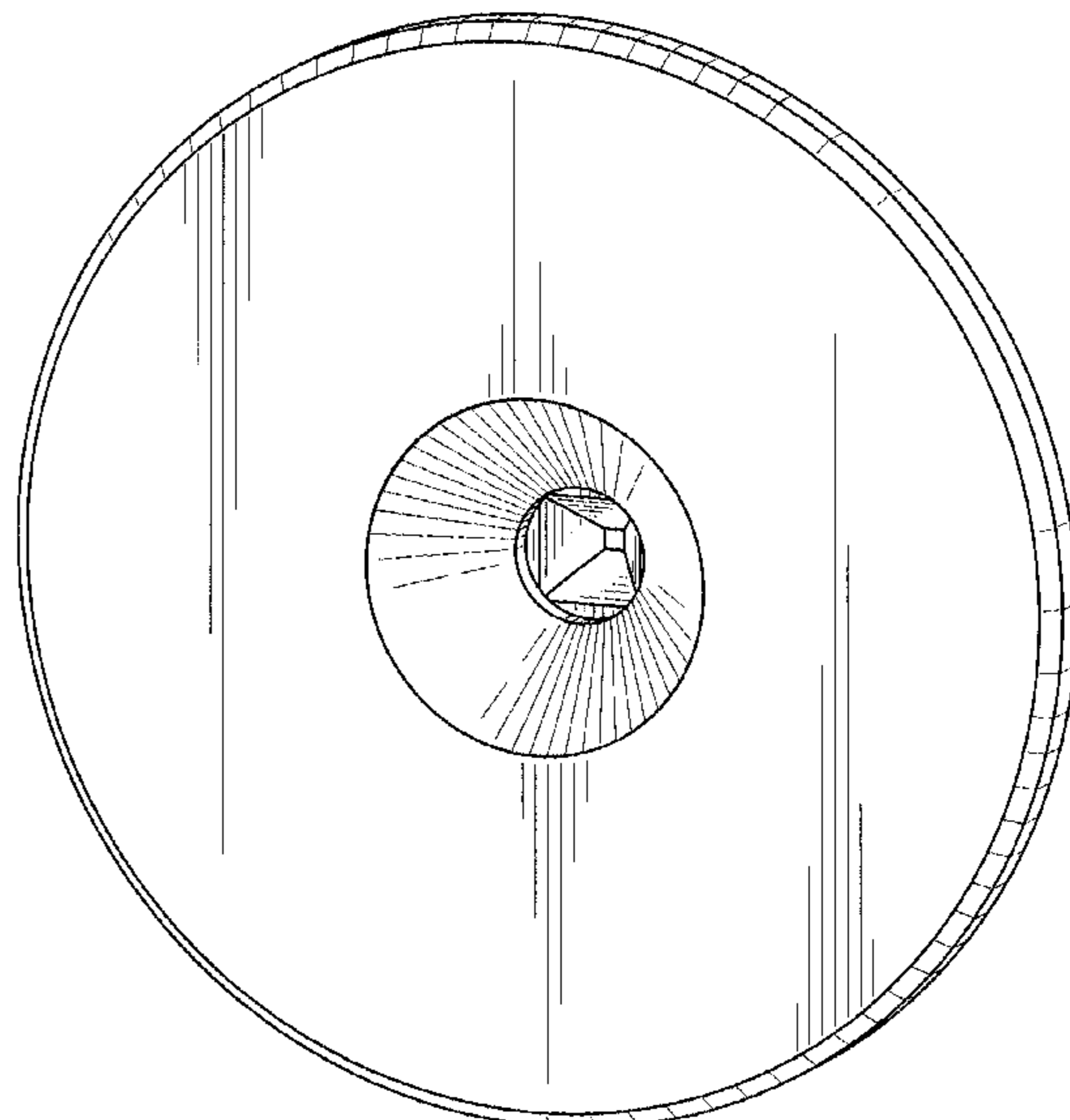
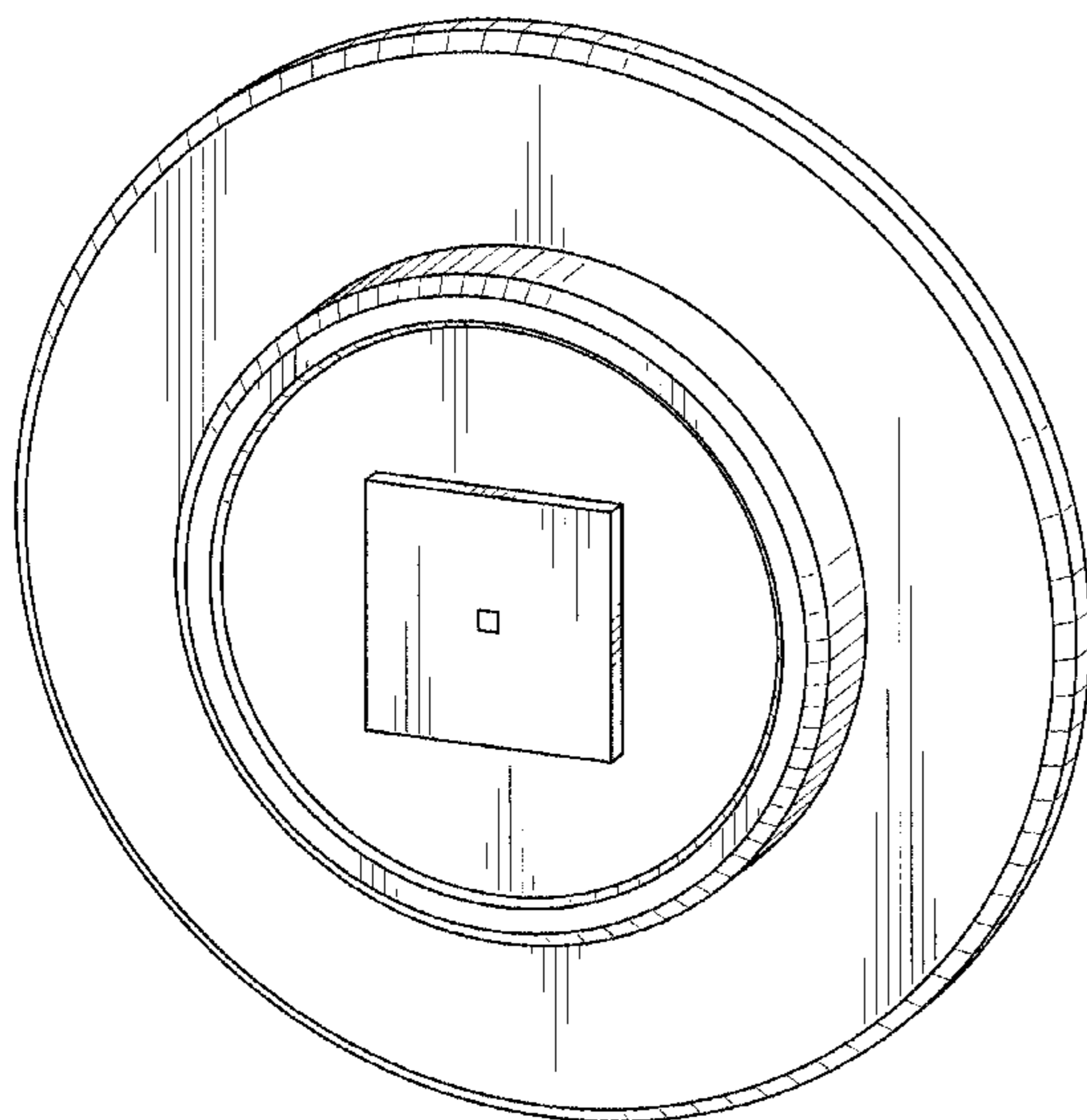
(57) **CLAIM**

We claim the ornamental design for a thin membrane holder for an electron microscope, as shown and described.

DESCRIPTION

FIG. 1 is a front, top and right side perspective view of a thin membrane holder for an electron microscope showing our new design;
FIG. 2 is a rear, bottom and left side perspective view thereof;
FIG. 3 is a front elevational view thereof;
FIG. 4 is a rear elevational view thereof;
FIG. 5 is a top plan view thereof;
FIG. 6 is a bottom plan view thereof;
FIG. 7 is a left side elevational view thereof;
FIG. 8 is a right side elevational view thereof; and,
FIG. 9 is a cross sectional view taken along the lines 9-9 of FIG. 3.

1 Claim, 6 Drawing Sheets



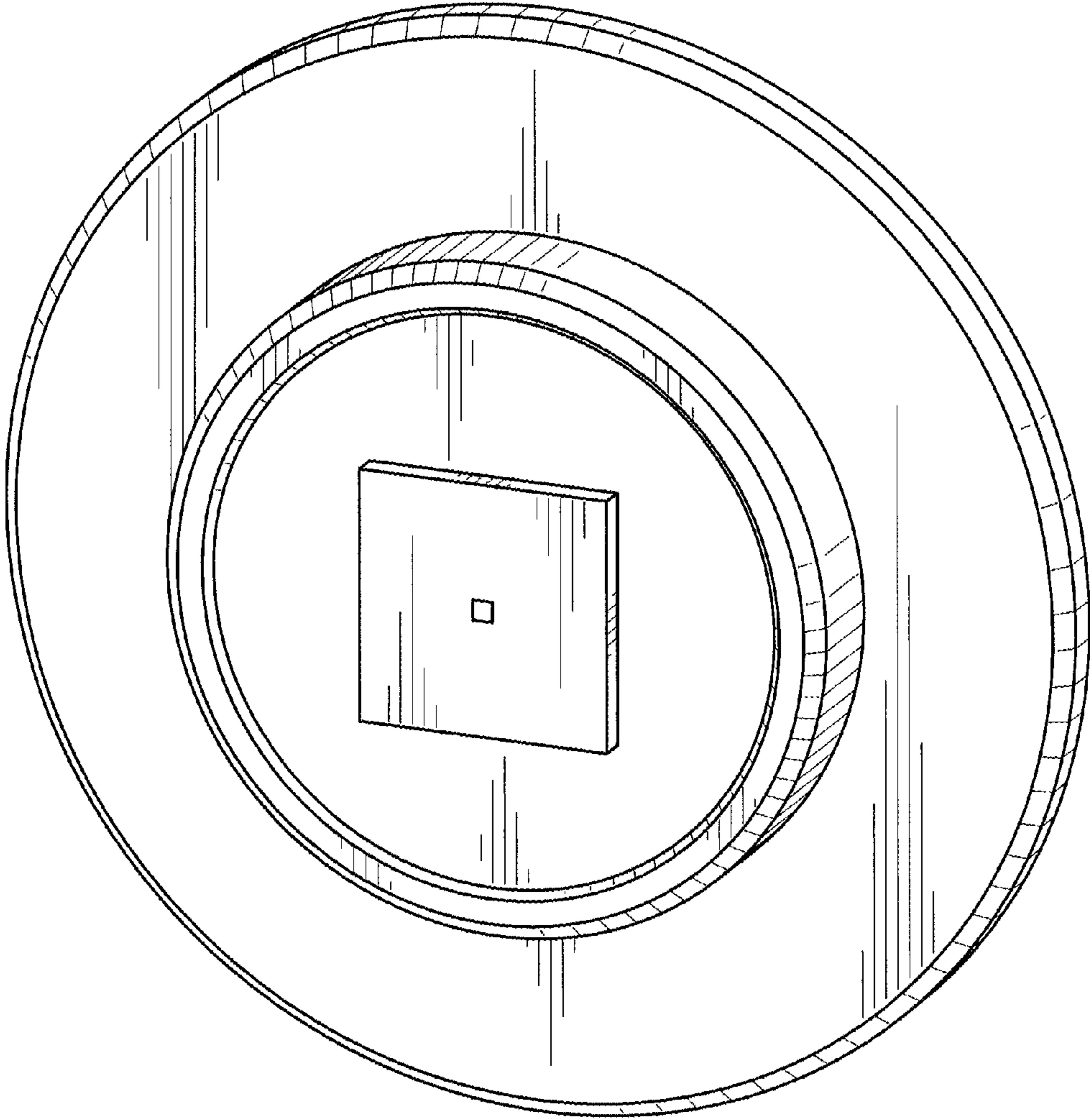


FIG. 1

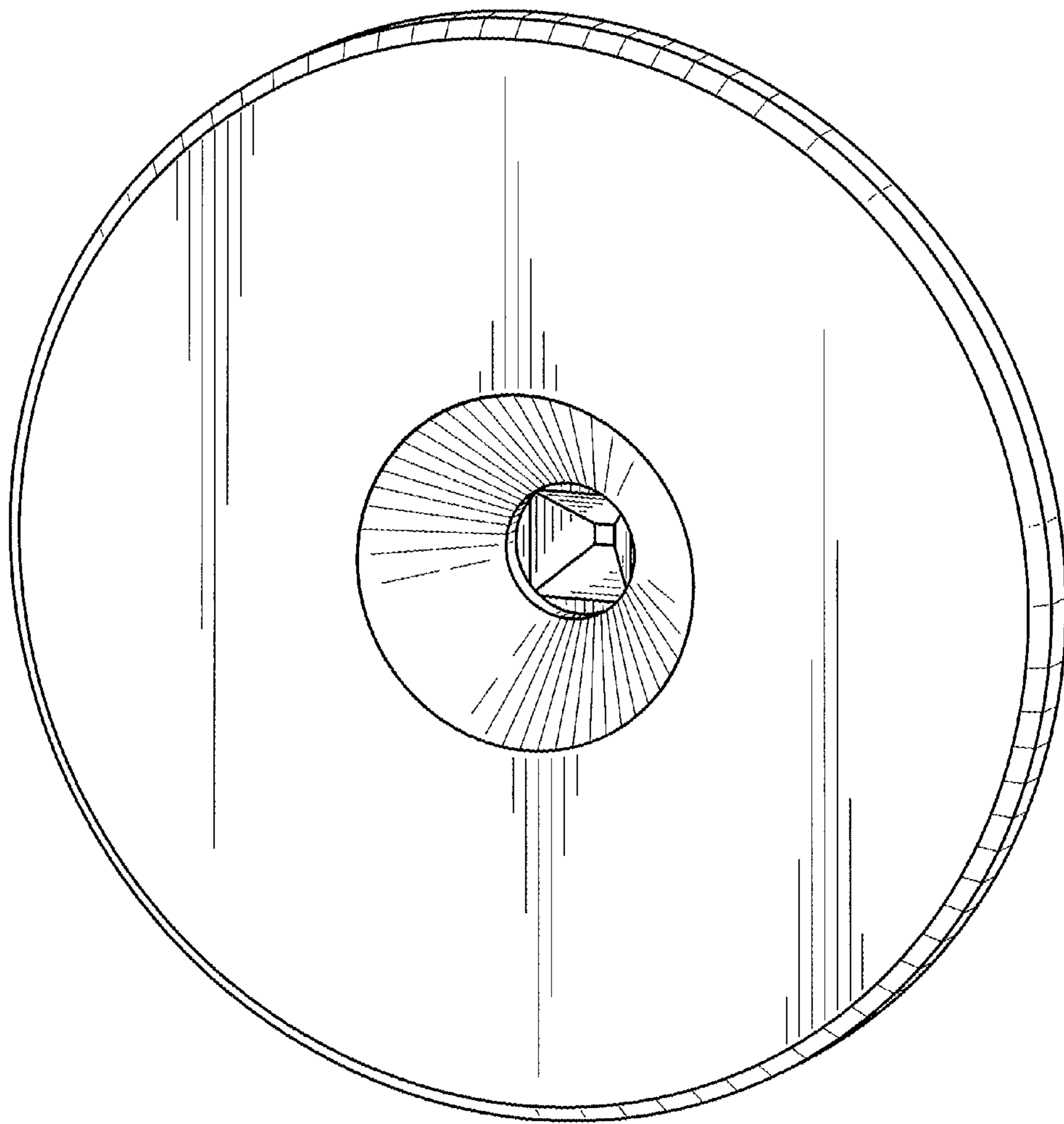


FIG. 2

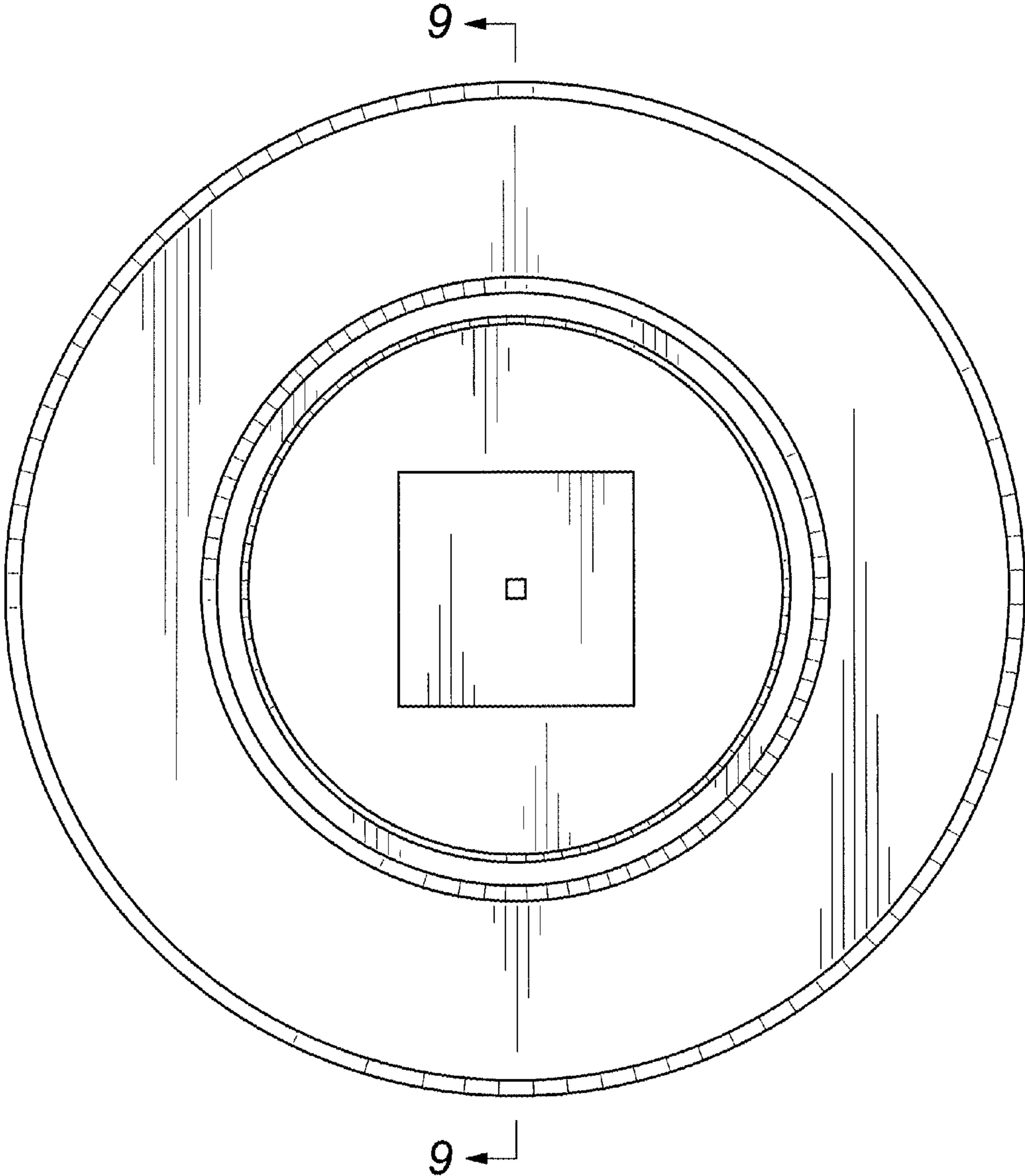


FIG. 3

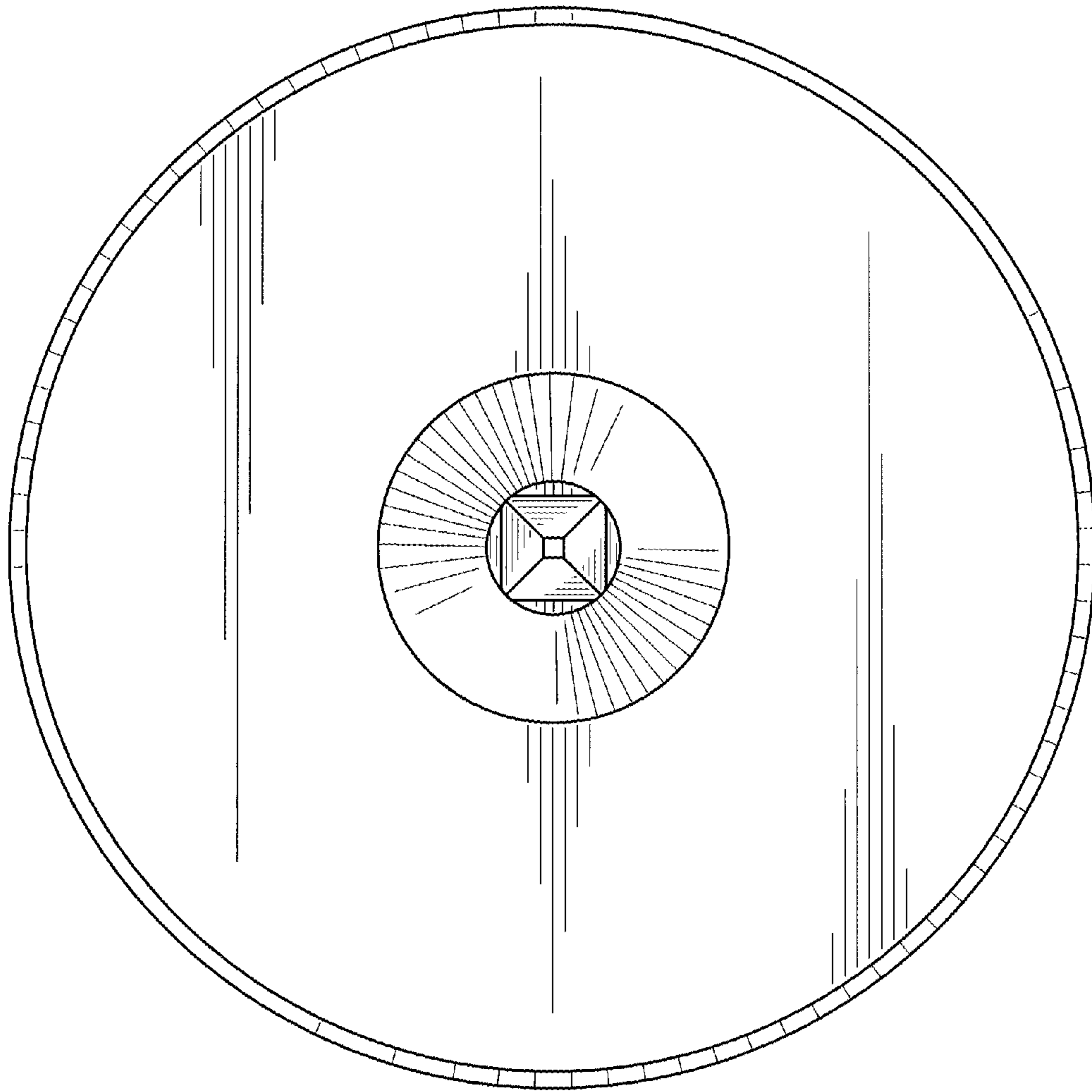


FIG. 4

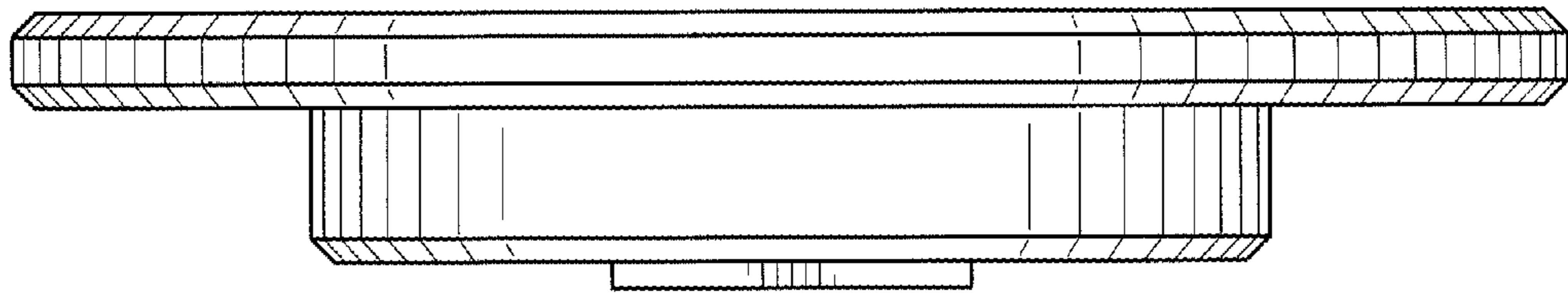


FIG. 5

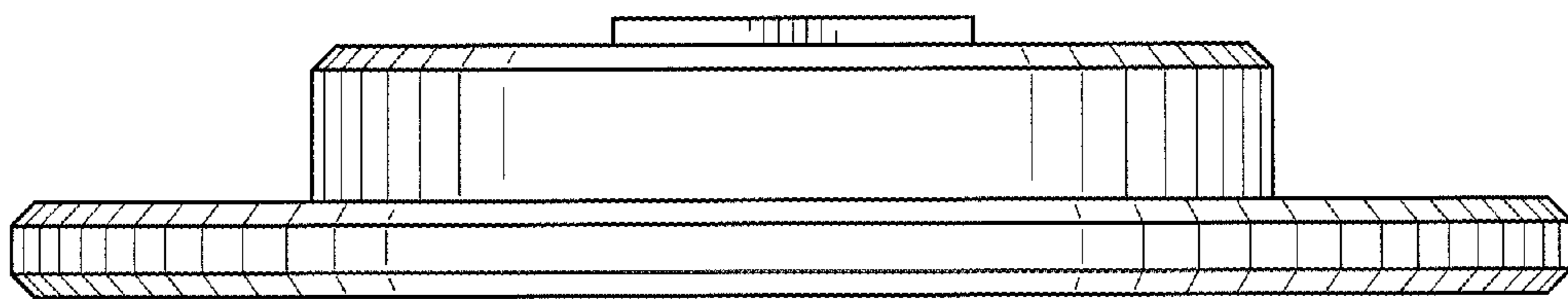


FIG. 6

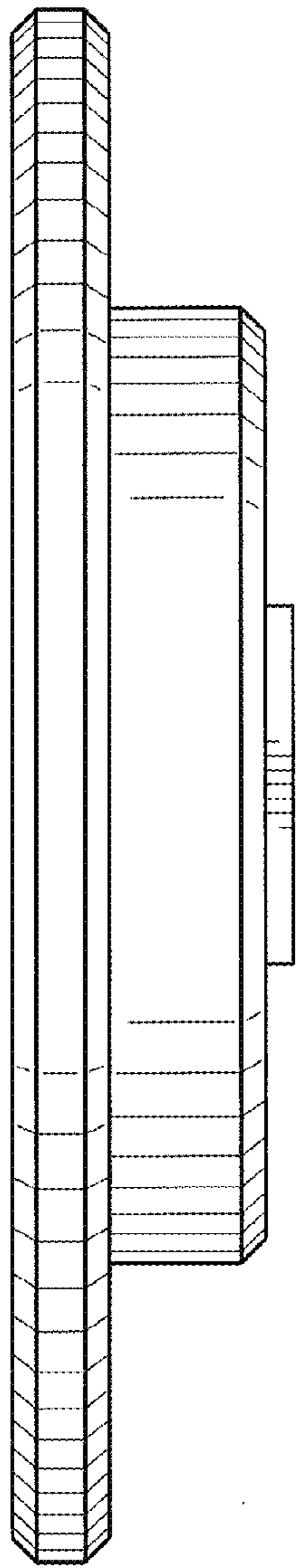


FIG. 7

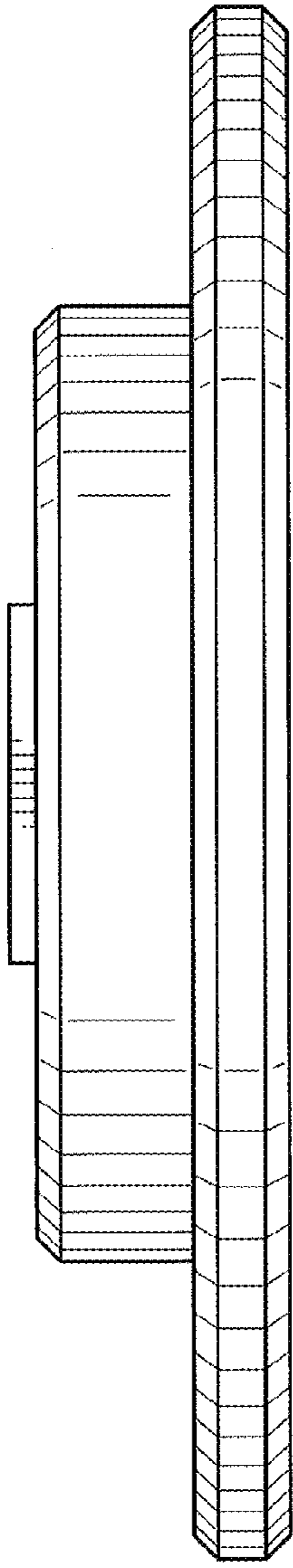


FIG. 8

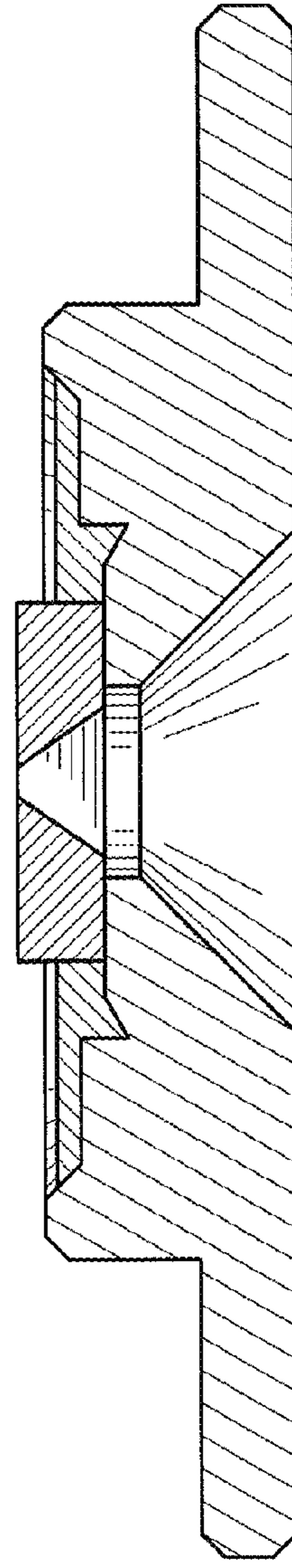


FIG. 9