



US00D748705S

(12) **United States Design Patent**
Sekido et al.

(10) **Patent No.:** **US D748,705 S**
(45) **Date of Patent:** **** Feb. 2, 2016**

(54) **LINEAR GUIDE**

(71) Applicant: **NSK LTD.**, Tokyo (JP)

(72) Inventors: **Haruo Sekido**, Fujisawa (JP); **Yoshio Tsunoda**, Fujisawa (JP)

(73) Assignee: **NSK LTD.**, Tokyo (JP)

(**) Term: **14 Years**

(21) Appl. No.: **29/513,153**

(22) Filed: **Dec. 29, 2014**

(30) **Foreign Application Priority Data**

Jun. 30, 2014 (JP) 2014-014323

(51) **LOC (10) Cl.** **15-09**

(52) **U.S. Cl.**
USPC **D15/143**; D15/199

(58) **Field of Classification Search**
USPC D13/184, 199; D15/1-6, 143, 148, 149,
D15/199
See application file for complete search history.

(56) **References Cited**

U.S. PATENT DOCUMENTS

- D317,922 S * 7/1991 Toyoda D15/5
- 6,520,680 B2 * 2/2003 Kato F16C 29/0647
384/45
- 6,558,039 B2 * 5/2003 Wu F16C 29/0657
384/45
- 7,153,027 B2 * 12/2006 Yamaguchi F16C 29/005
384/15
- D554,164 S * 10/2007 Naruse D15/143
- 7,604,408 B2 * 10/2009 Dorn F16C 29/0609
384/45
- 8,011,832 B2 * 9/2011 Menges F16C 29/0633
384/45
- 8,042,416 B2 * 10/2011 Pfister B23Q 5/40

- 74/89.33
- D656,169 S * 3/2012 Fukano D15/143
- D664,169 S * 7/2012 Shirai D15/143
- 8,277,122 B2 * 10/2012 Rudy F16C 29/005
33/710
- 8,402,853 B2 * 3/2013 Pfister F16C 29/0604
384/45
- 8,632,248 B2 * 1/2014 Matsumoto F16C 29/086
384/13
- 8,696,204 B2 * 4/2014 Ooga F16C 33/76
277/345
- 8,764,293 B2 * 7/2014 Nakagawa F16C 29/0642
384/15
- 8,894,283 B2 * 11/2014 Nishiyama F16C 29/005
384/15
- 8,961,016 B2 * 2/2015 Nakagawa F16C 29/0666
384/15
- 9,051,966 B2 * 6/2015 Matsumoto F16C 29/086
- 9,068,601 B2 * 6/2015 Mizumura F16C 33/6659

* cited by examiner

Primary Examiner — Patricia Palasik

(74) *Attorney, Agent, or Firm* — Sughrue Mion, PLLC

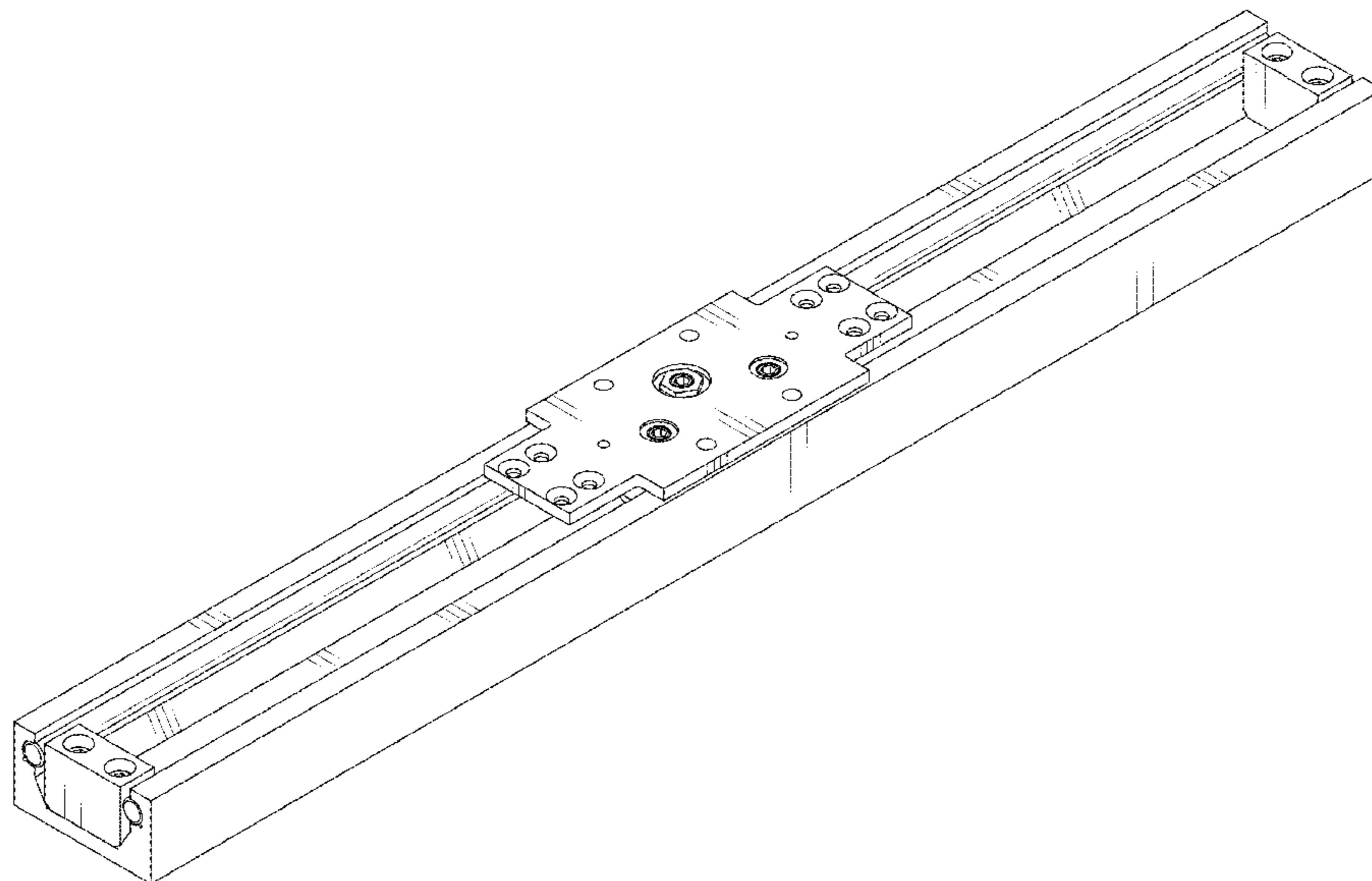
(57) **CLAIM**

The ornamental design for a linear guide, as shown and described.

DESCRIPTION

FIG. 1 is a top, front, left perspective view of a linear guide showing our new design;
 FIG. 2 is a front view thereof;
 FIG. 3 is a rear view thereof;
 FIG. 4 is a left side view thereof;
 FIG. 5 is a right side view thereof;
 FIG. 6 is a top view thereof;
 FIG. 7 is a bottom view thereof;
 FIG. 8 is an enlarged view of the left side view;
 FIG. 9 is a top exploded perspective view thereof; and,
 FIG. 10 is a bottom exploded perspective view thereof.

1 Claim, 6 Drawing Sheets



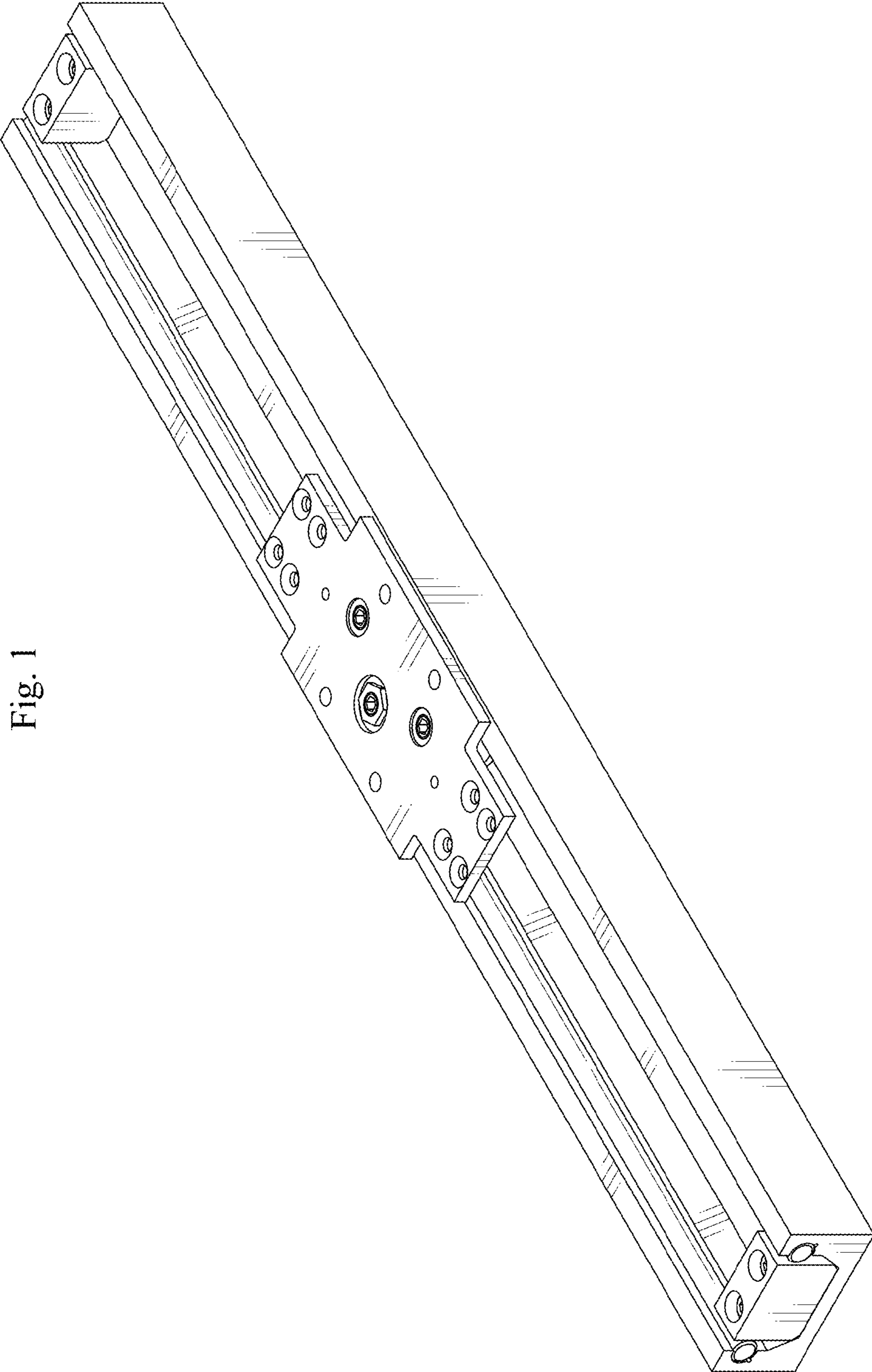


Fig. 1

Fig. 2

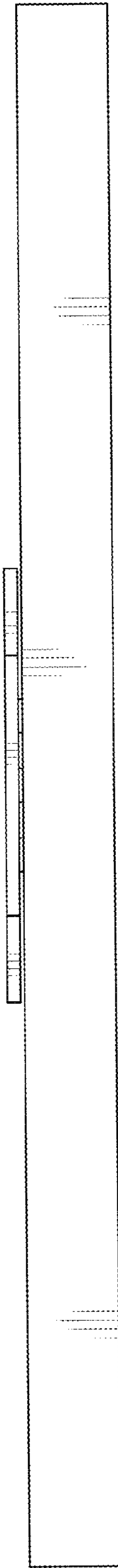


Fig. 3

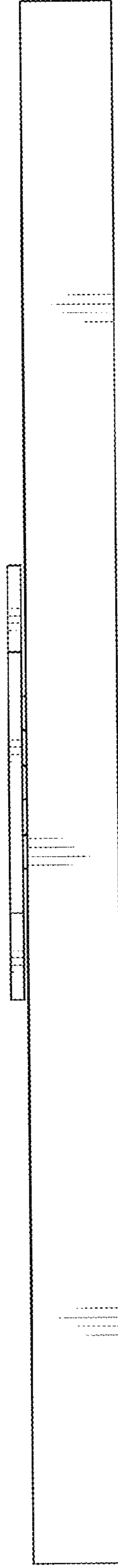


Fig. 4

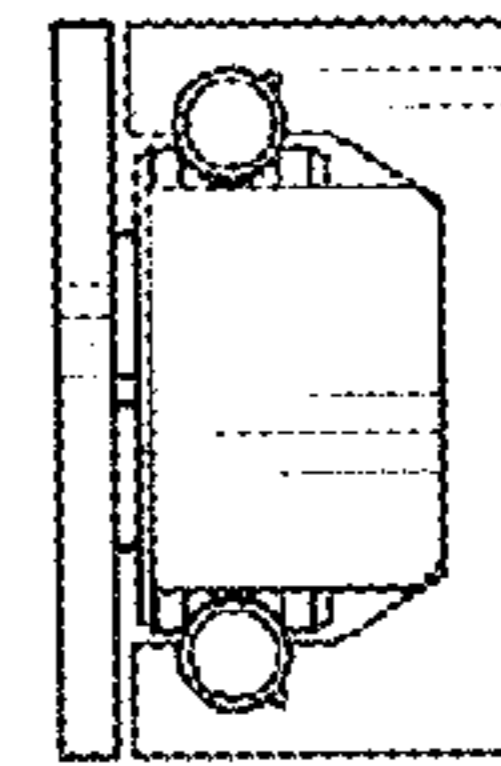


Fig. 5

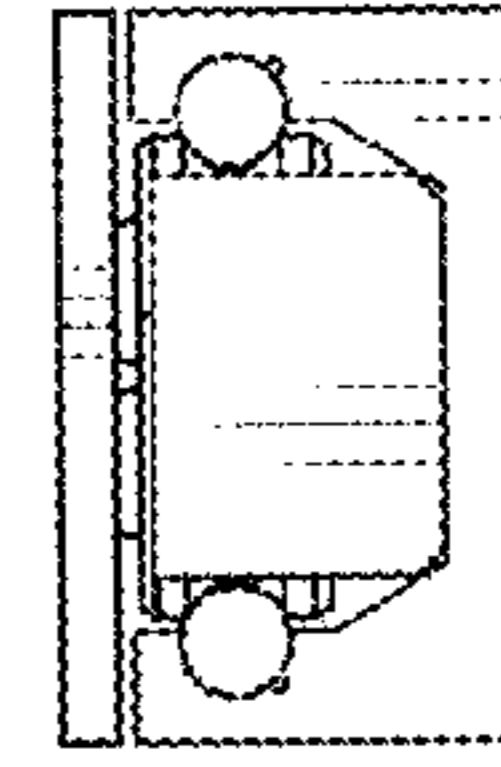


Fig. 6

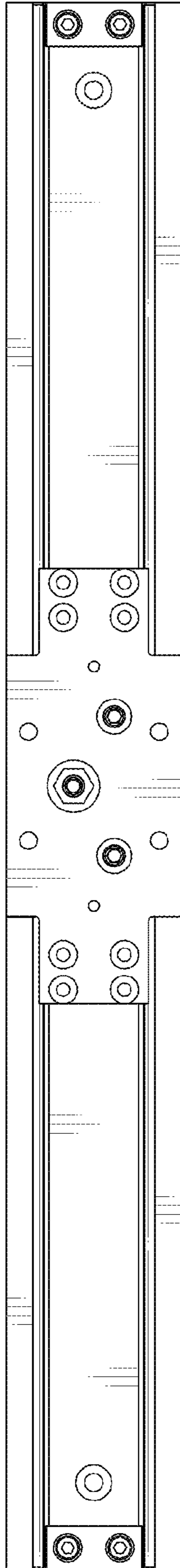


Fig. 7

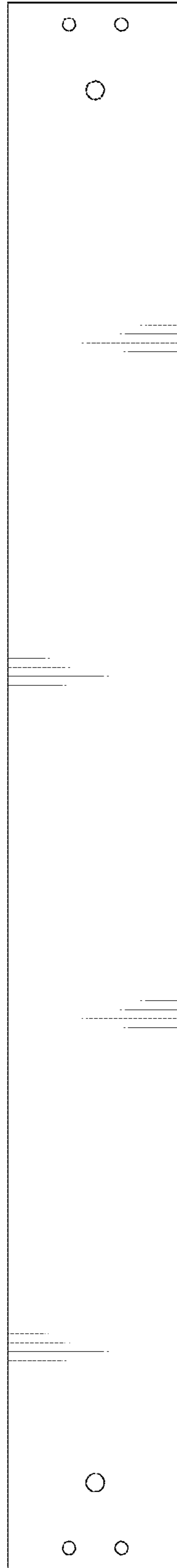
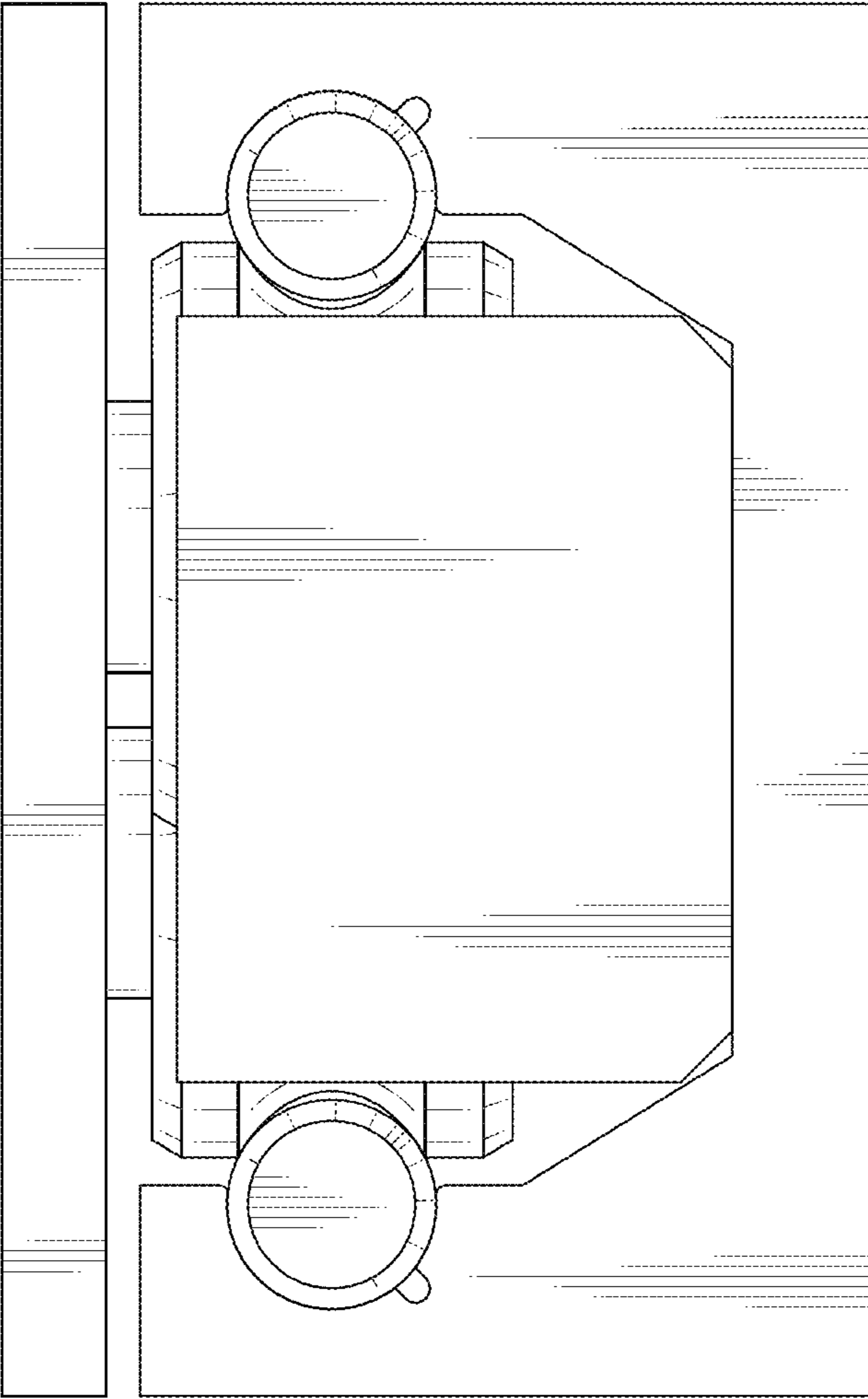


Fig. 8



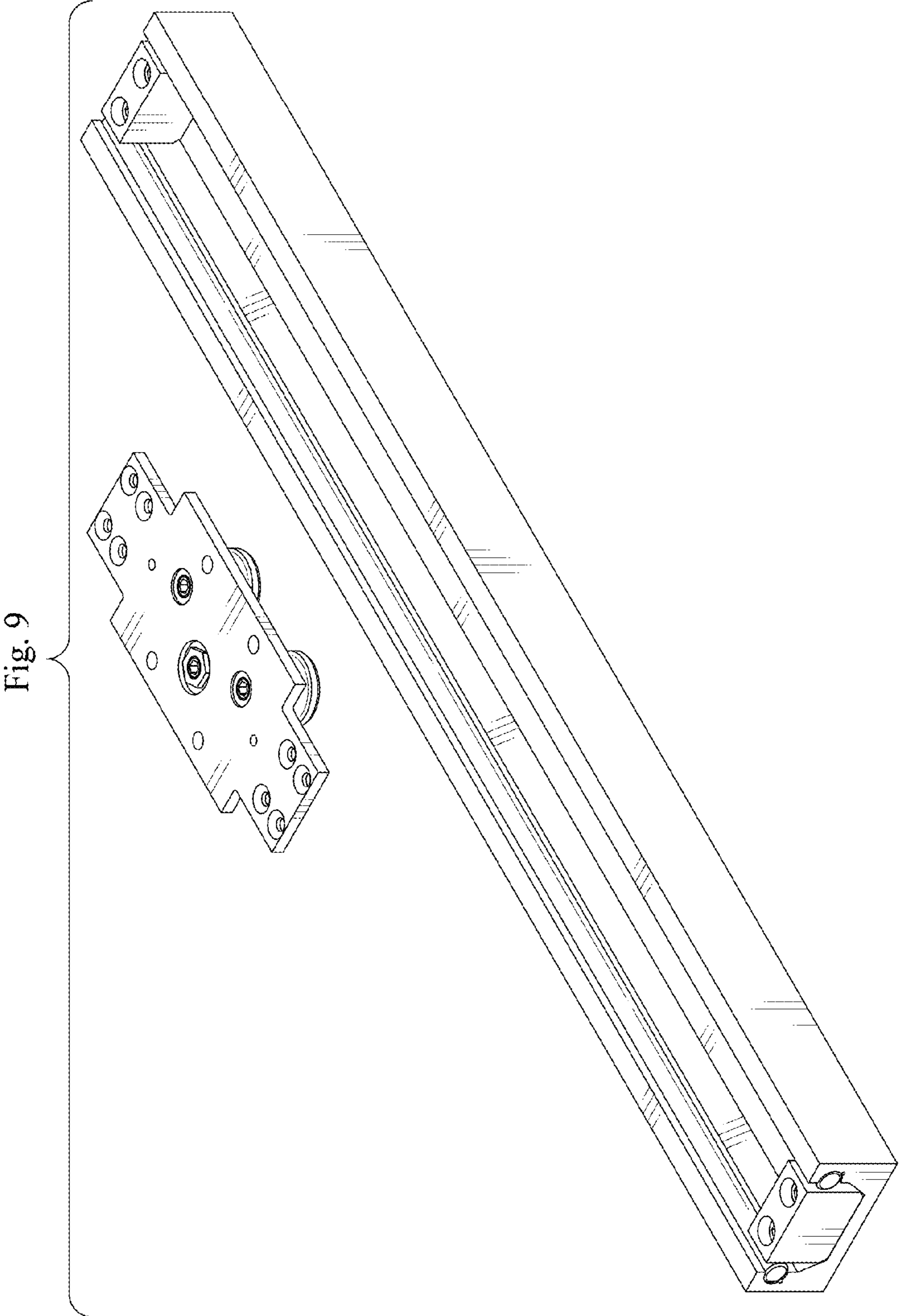


Fig. 10

