



US00D748703S

(12) **United States Design Patent**
Nam et al.

(10) **Patent No.:** **US D748,703 S**
(45) **Date of Patent:** **** Feb. 2, 2016**

(54) **CUTTING INSERT**

(71) Applicant: **KORLOY INC.**, Cheongju-si (KR)

(72) Inventors: **Ki-chan Nam**, Cheongju-si (KR);
Young Heum Kim, Cheongju-si (KR);
Hyo-San Kim, Cheongju-si (KR)

(73) Assignee: **KORLOY INC.**, Seoul (KR)

(**) Term: **14 Years**

(21) Appl. No.: **29/510,132**

(22) Filed: **Nov. 25, 2014**

(30) **Foreign Application Priority Data**

May 27, 2014 (KR) 30-2014-0025886

(51) **LOC (10) Cl.** **15-09**

(52) **U.S. Cl.**
USPC **D15/139**

(58) **Field of Classification Search**
USPC D15/131, 138, 139, 140
See application file for complete search history.

(56) **References Cited**

U.S. PATENT DOCUMENTS

5,145,295	A *	9/1992	Satran	B23C 5/2213
					407/113
5,207,538	A *	5/1993	Satran	B23C 5/2213
					407/113
D342,269	S *	12/1993	Arai	D15/139
D347,642	S *	6/1994	Lindberg	D15/139
5,800,100	A *	9/1998	Krenzer	B23B 27/145
					407/113
D404,406	S *	1/1999	Satran	D15/139

D579,470	S *	10/2008	Maeta	D15/139
D705,281	S *	5/2014	Heinasenaho	D15/139
D715,840	S *	10/2014	Park	D15/139
D718,357	S *	11/2014	Park	D15/139
D736,841	S *	8/2015	Jung	D15/139
2005/0214080	A1 *	9/2005	Satran	B23C 5/109
					407/113
2010/0054872	A1 *	3/2010	Sung	B23B 27/1622
					407/42
2011/0255924	A1 *	10/2011	Choi	B23C 5/202
					407/42
2012/0009029	A1 *	1/2012	Saji	B23C 5/109
					407/67
2014/0298967	A1 *	10/2014	Ishi	B23C 5/109
					83/13
2015/0139744	A1 *	5/2015	Harif	B23B 51/02
					407/69

* cited by examiner

Primary Examiner — Patricia Palasik

(74) *Attorney, Agent, or Firm* — Rabin & Berdo, P.C.

(57) **CLAIM**

The ornamental design for a cutting insert, as shown and described.

DESCRIPTION

FIG. 1 is a perspective view of a cutting insert showing my new design;

FIG. 2 is a front elevational view thereof;

FIG. 3 is a rear elevational view thereof;

FIG. 4 is a left side elevational view thereof;

FIG. 5 is a right side elevational view thereof;

FIG. 6 is a top plan view thereof; and,

FIG. 7 is a bottom plan view thereof.

The broken lines in the drawings depict unclaimed environmental subject matter.

1 Claim, 7 Drawing Sheets

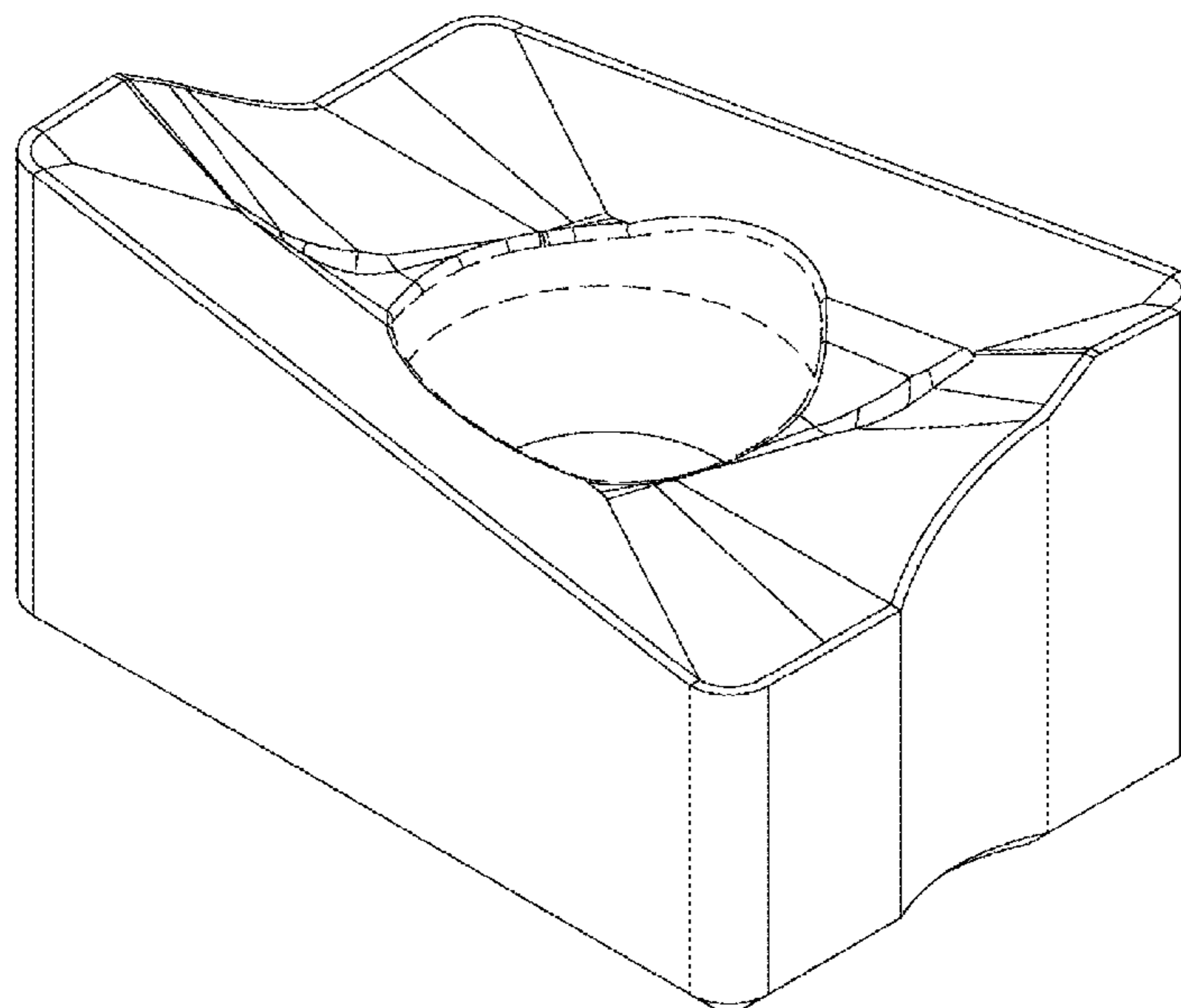


FIG. 1

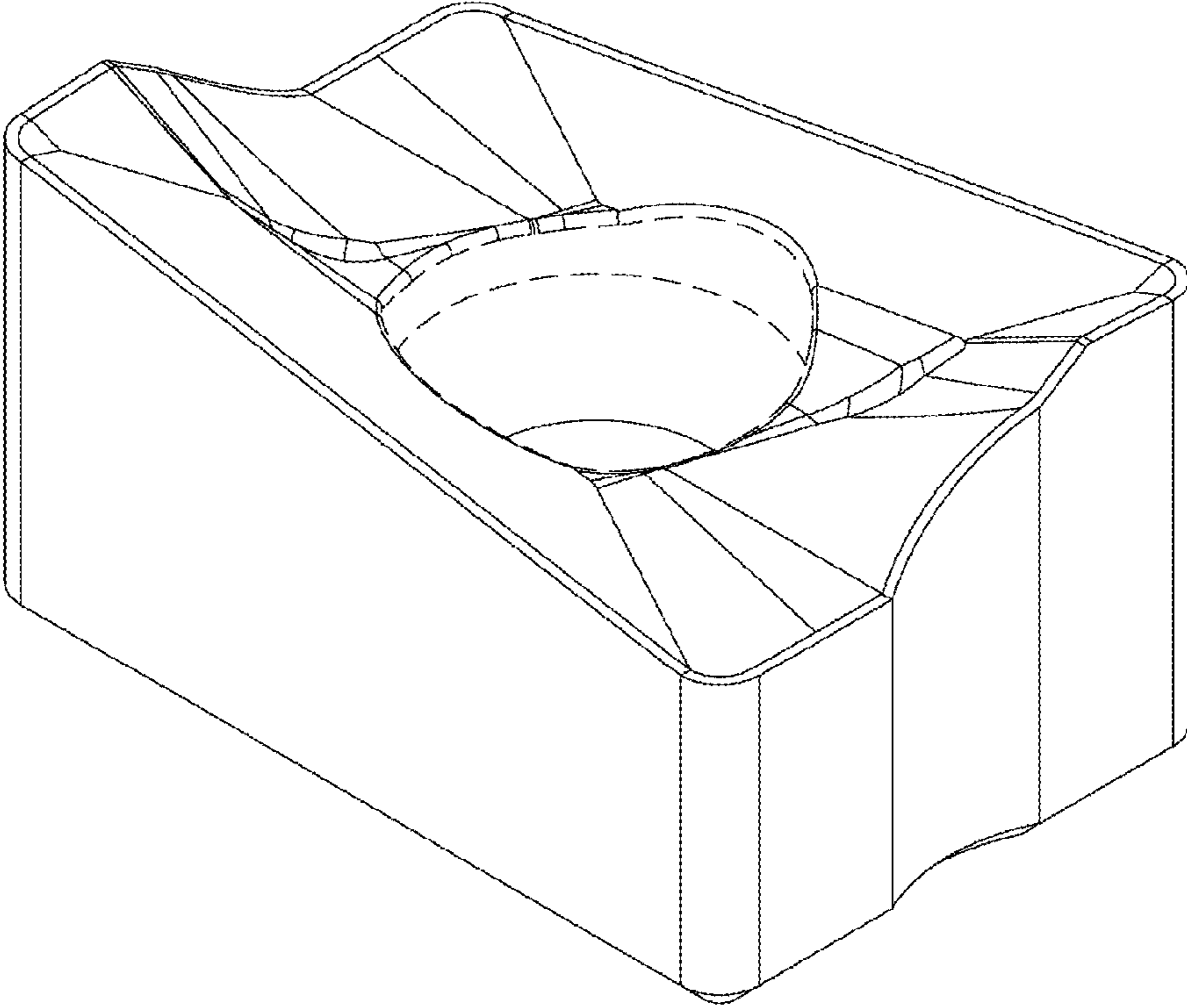


FIG. 2

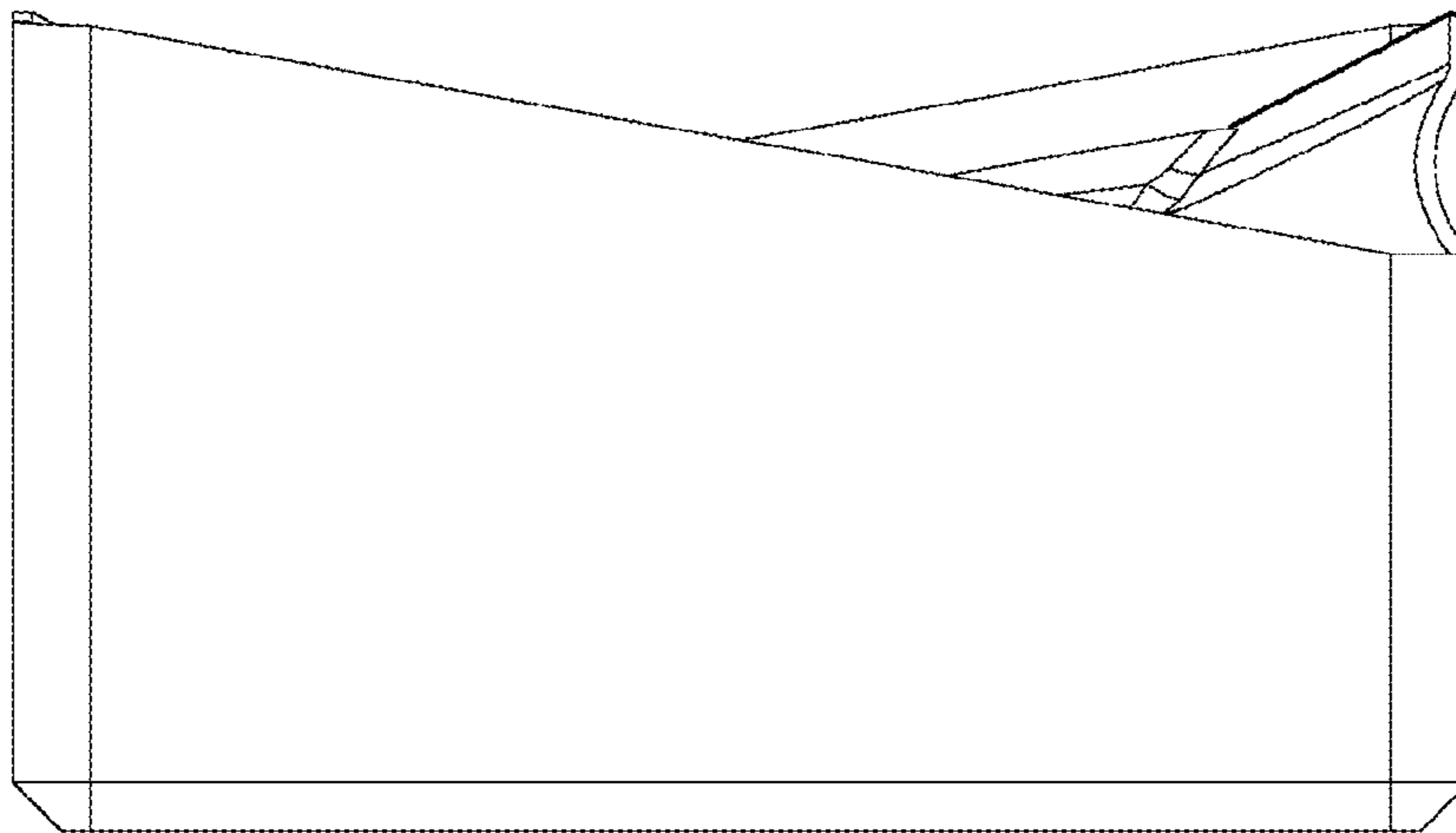


FIG. 3

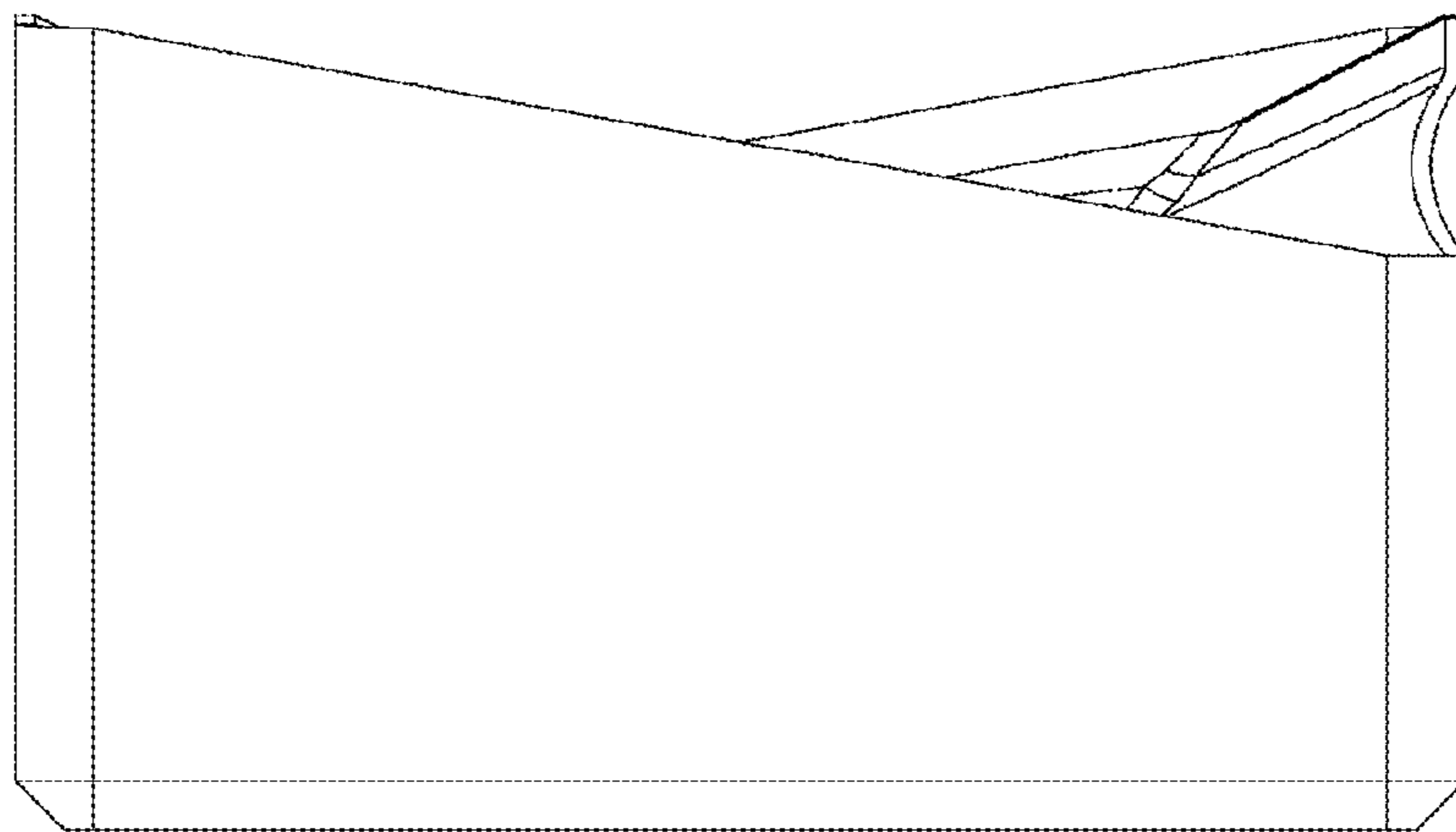


FIG. 4

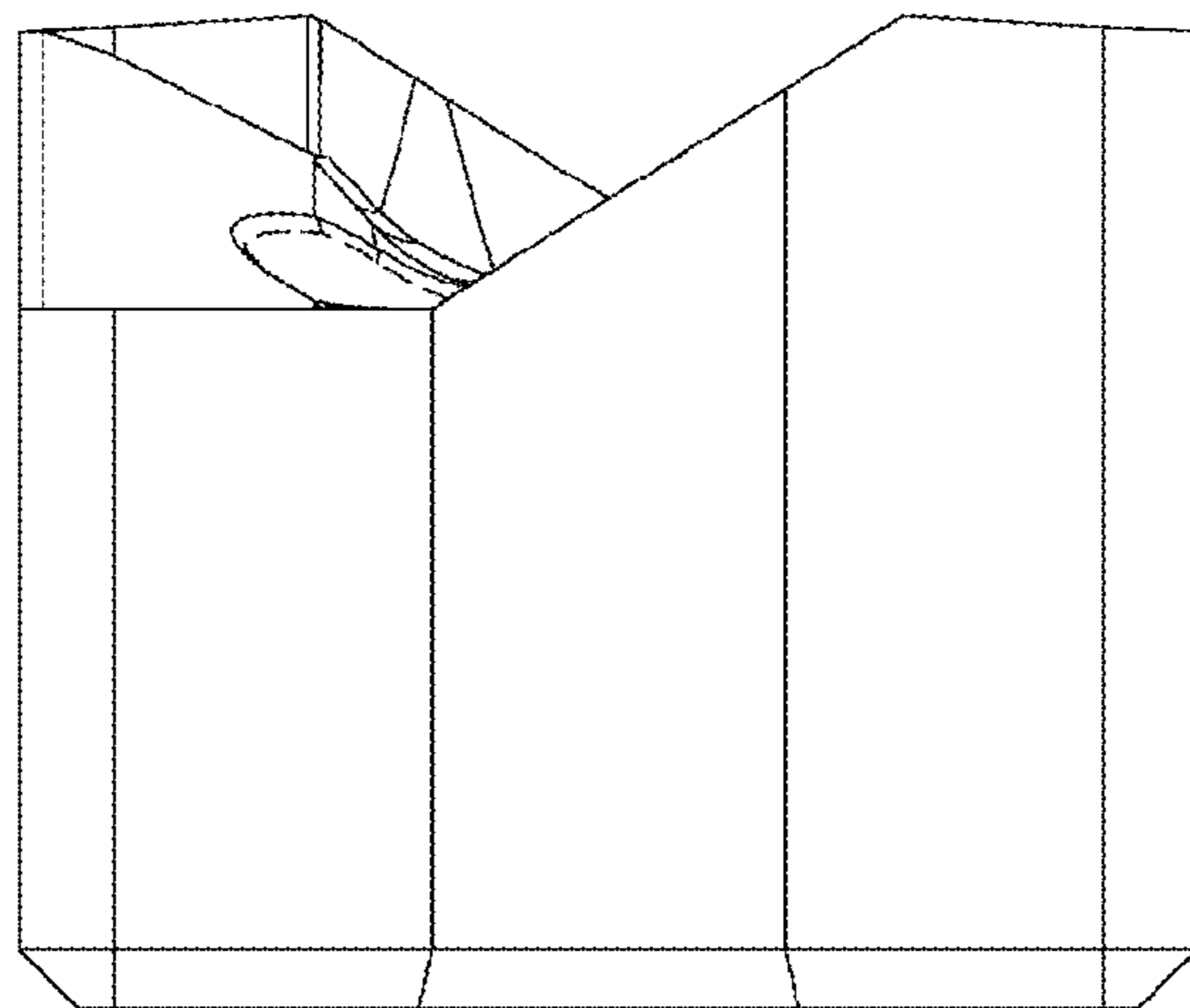


FIG. 5

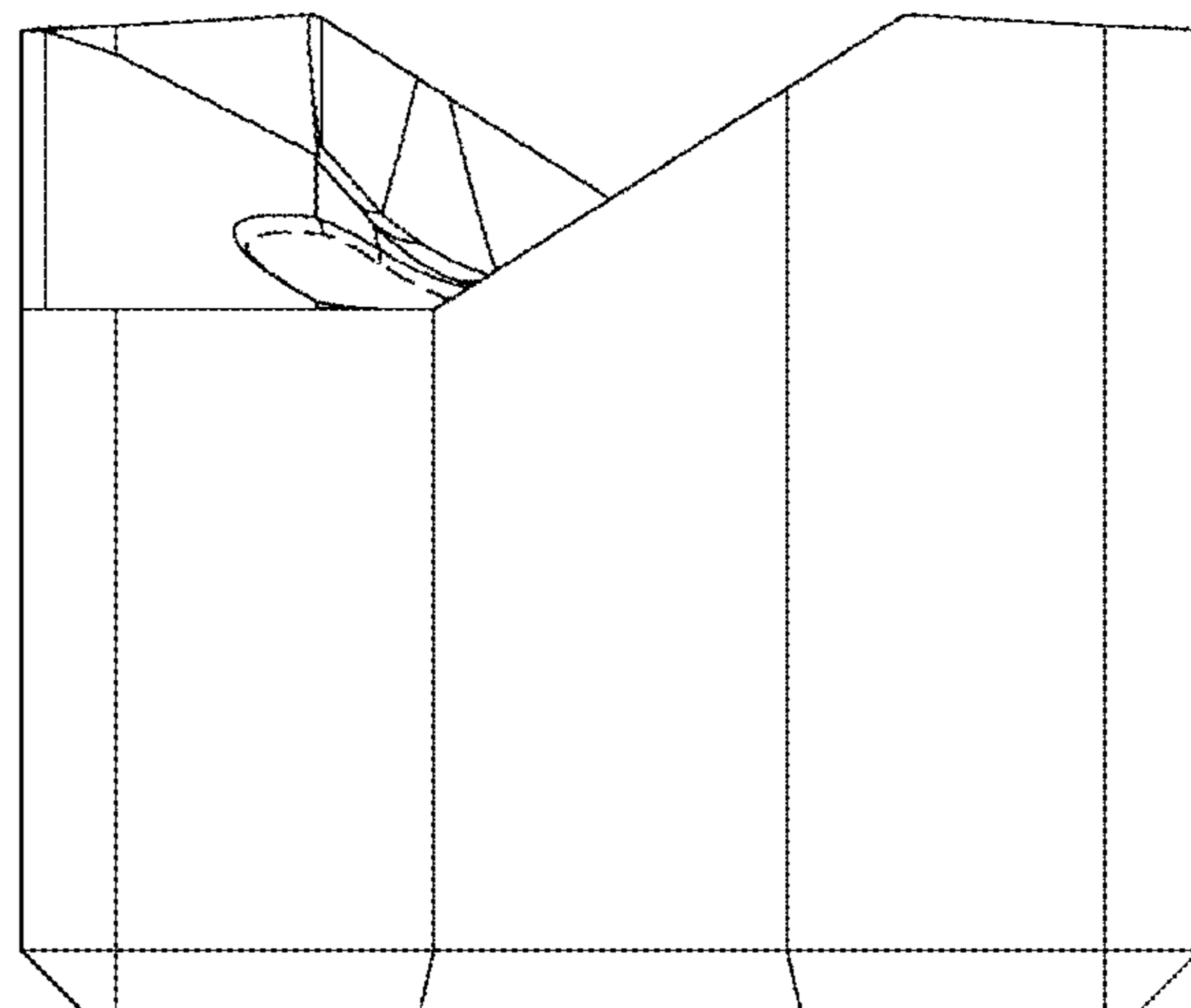


FIG. 6

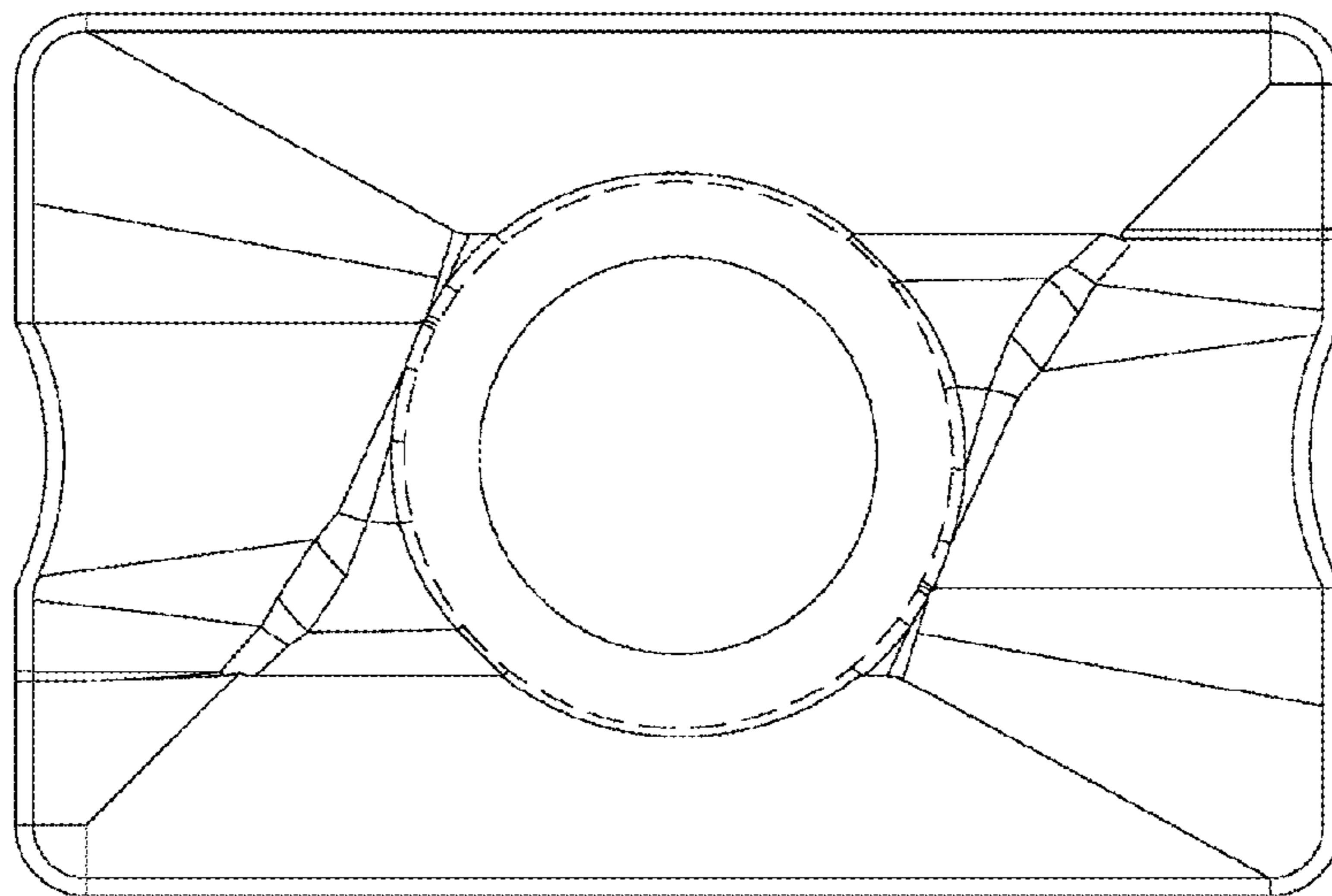


FIG. 7

