



US00D748702S

(12) **United States Design Patent**
Velozny

(10) **Patent No.:** **US D748,702 S**

(45) **Date of Patent:** **** Feb. 2, 2016**

(54) **ACCESSORY FOR INNER RING OF
DRILLING CUP AND FOR HOUSING OF
ELECTRICAL APPLIANCES**

(71) Applicant: **Nir Velozny**, Tel Aviv (IL)

(72) Inventor: **Nir Velozny**, Tel Aviv (IL)

(**) Term: **14 Years**

(21) Appl. No.: **29/491,852**

(22) Filed: **May 27, 2014**

(30) **Foreign Application Priority Data**

Nov. 27, 2013 (IL) 54823

(51) **LOC (10) Cl.** **15-09**

(52) **U.S. Cl.**
USPC **D15/139; D15/133**

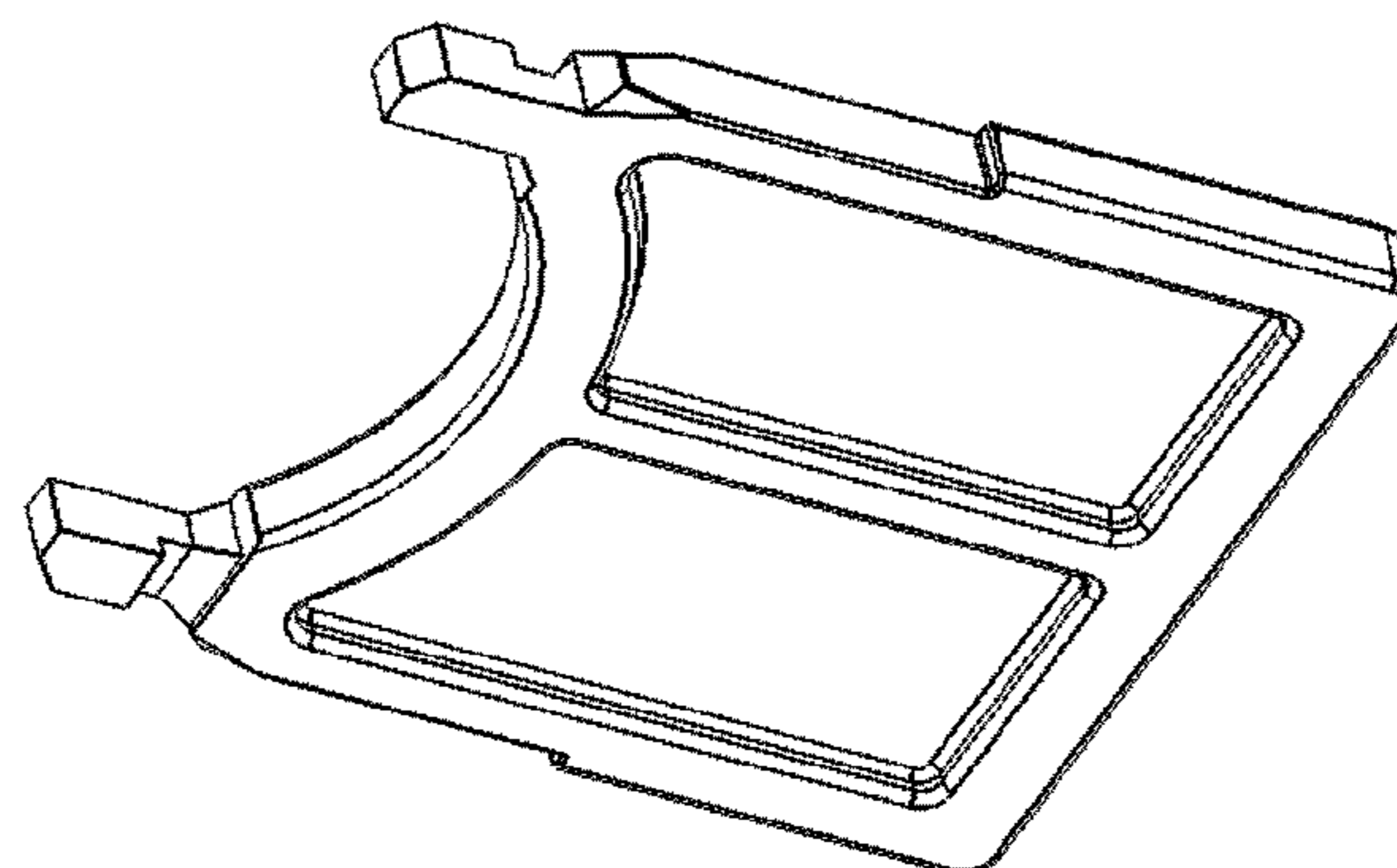
(58) **Field of Classification Search**
USPC D15/21, 28, 139, 133; 144/23; 408/204,
408/1 R, 206, 25, 239 R
CPC B23B 31/113; B23B 31/10; B23B 31/107;
B23B 51/0473; B23B 51/04; B23B 51/0426;
B23B 51/0453; B23B 2260/068; Y10T
408/8973; Y10T 408/04; Y10T 408/95;
Y10T 408/895; Y10T 83/768; B27B 5/12
See application file for complete search history.

(56) **References Cited**

U.S. PATENT DOCUMENTS

3,262,474 A * 7/1966 Enders B23B 31/113
144/23
4,072,441 A * 2/1978 LaPointe B23B 51/0426
144/23
4,101,238 A * 7/1978 Reibetanz B23B 51/042
408/204
4,669,928 A * 6/1987 Mediavilla B23B 51/044
408/204
5,316,416 A * 5/1994 Kim B24D 7/18
408/145
D391,974 S * 3/1998 Brutscher D15/139
5,813,802 A * 9/1998 Ajimi B23B 51/0426
175/403
D438,219 S * 2/2001 Brutscher D15/139

6,341,925 B1 * 1/2002 Despres B23B 51/0453
408/204
6,494,276 B1 * 12/2002 Hamilton E21B 10/02
175/320
6,588,992 B2 * 7/2003 Rudolph B23B 51/04
408/204
6,623,220 B2 * 9/2003 Nuss B23B 31/1071
279/75
6,705,807 B1 * 3/2004 Rudolph B23B 51/0426
279/143
6,786,684 B1 * 9/2004 Ecker B23B 51/0406
408/204
7,073,992 B2 * 7/2006 Korb B23B 31/008
408/204
7,131,506 B2 * 11/2006 Hamilton E21B 10/02
175/320
D575,808 S * 8/2008 Zeiler D15/139
7,488,146 B2 * 2/2009 Brunson B23B 31/008
408/204
D588,175 S * 3/2009 Morton D15/139
7,517,179 B2 * 4/2009 Miller B23B 31/06
192/93 C
7,637,703 B2 * 12/2009 Khangar B23B 51/0433
408/204
D622,745 S * 8/2010 Pearce D15/139
7,824,137 B2 * 11/2010 Vasudeva B23B 31/008
206/379
7,934,893 B2 * 5/2011 Gillissen B23B 31/107
279/77
7,938,600 B1 * 5/2011 Griep B23B 51/044
408/1 R
8,123,443 B2 * 2/2012 Khangar B23B 51/0433
408/204
D664,574 S * 7/2012 Burke, III D15/139
8,221,037 B2 * 7/2012 Neitzell B23B 51/0426
408/1 R
8,328,474 B2 * 12/2012 Pangerc B23B 51/0473
408/1 R
8,328,476 B2 * 12/2012 O'Keefe B23B 51/0473
408/204
8,328,477 B2 * 12/2012 Allen B23B 51/0413
408/213
8,366,356 B2 * 2/2013 Novak B23B 51/0473
408/204
8,434,976 B2 * 5/2013 Kelleher B23B 51/0473
279/141
8,444,353 B2 * 5/2013 Khangar B23B 51/0433
408/204
D683,772 S * 6/2013 Wang D15/139
D690,334 S * 9/2013 Zielonka D15/139
8,579,555 B2 * 11/2013 Novak B23B 51/0453
408/204
D706,845 S * 6/2014 Richter D15/139



D707,332 S * 6/2014 Witkowski D23/249
D708,650 S * 7/2014 Richter D15/139
8,794,881 B2 * 8/2014 Zurn B23B 31/1075
175/403
8,827,604 B1 * 9/2014 Corey B23B 51/0426
408/204
D717,351 S * 11/2014 Burca D15/139
2008/0260480 A1 * 10/2008 Keightley B23B 51/0426
408/204

* cited by examiner

Primary Examiner — Mark Goodwin
(74) *Attorney, Agent, or Firm* — Peret Intellectual Property
Law

(57) **CLAIM**

The ornamental design for an accessory for inner ring of drilling cup and for housing of electrical appliances, as shown.

DESCRIPTION

FIG. 1 is a top view of an accessory for inner ring of drilling cup and for housing of electrical appliances showing my new design;

FIG. 2 is a bottom view thereof;

FIG. 3 is a front view thereof;

FIG. 4 is a back view thereof;

FIG. 5 is a right view thereof;

FIG. 6 is a left view thereof;

FIG. 7 is a perspective view thereof; and,

FIG. 8 is a perspective view thereof.

1 Claim, 8 Drawing Sheets

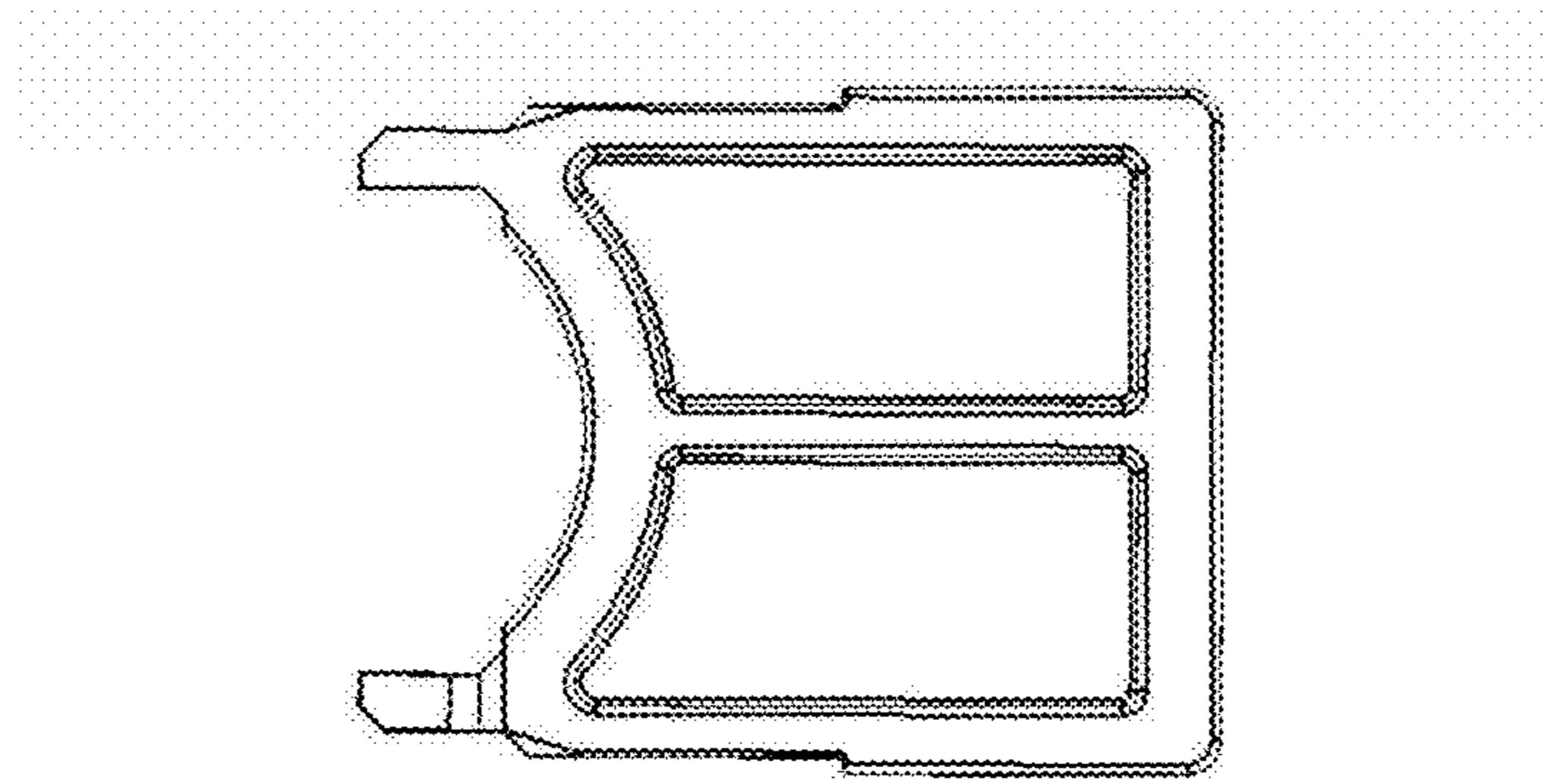


FIG 1

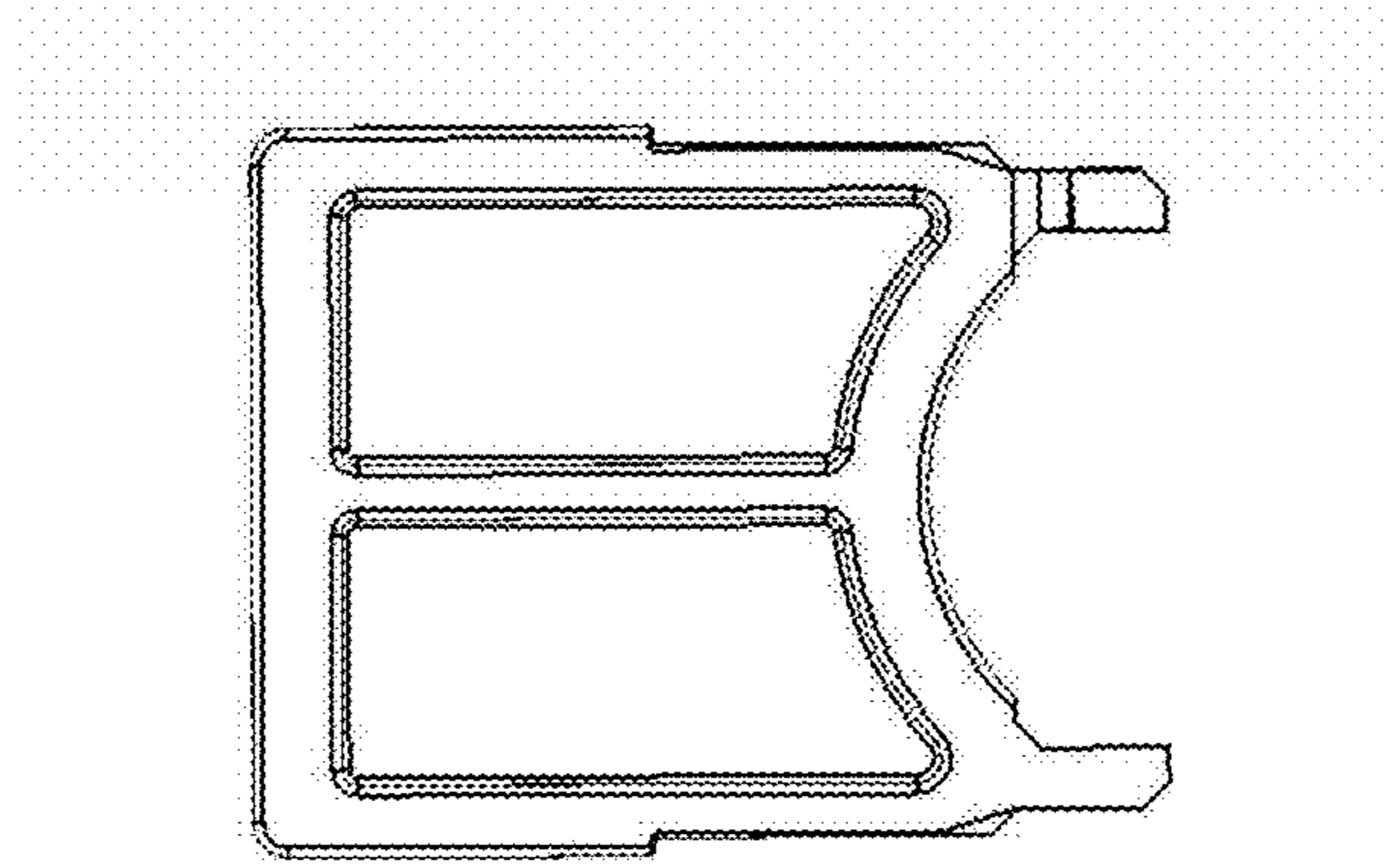


FIG 2



FIG 3



FIG 4

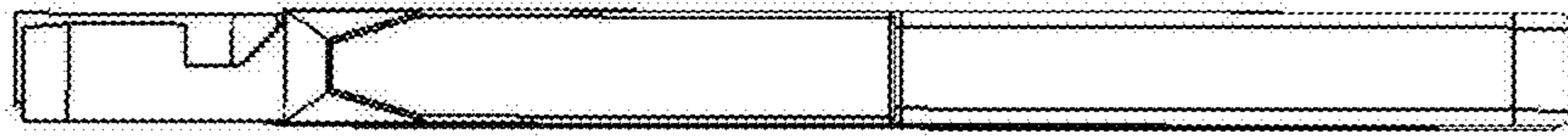


FIG 5

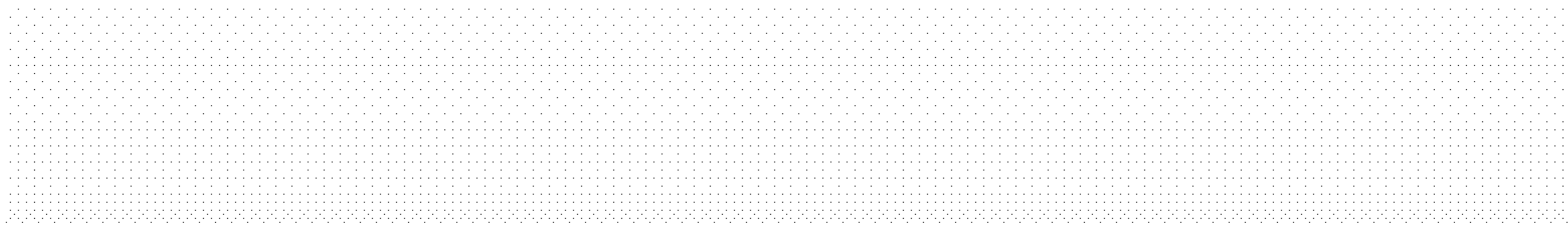


FIG 6

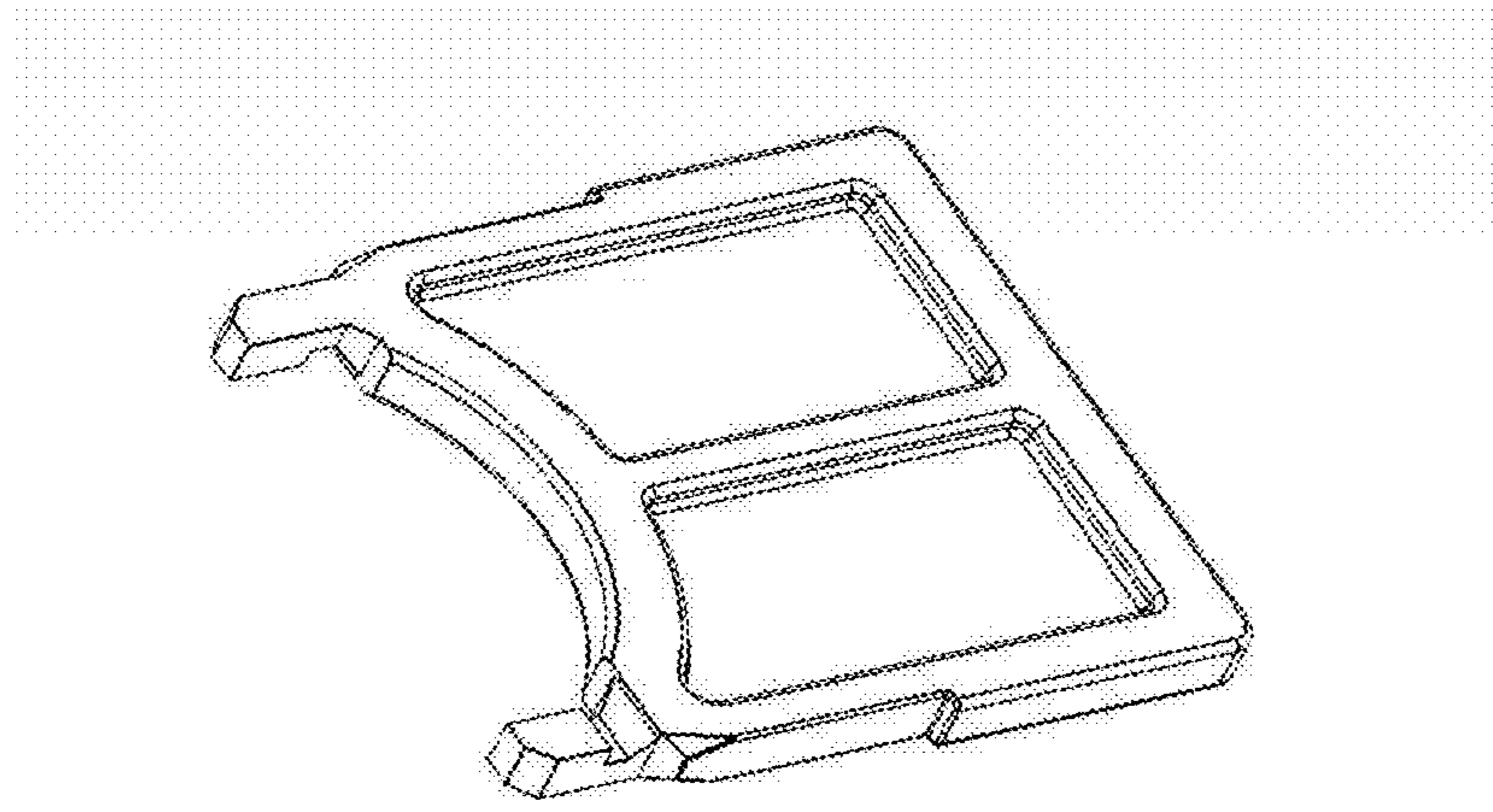


FIG 7

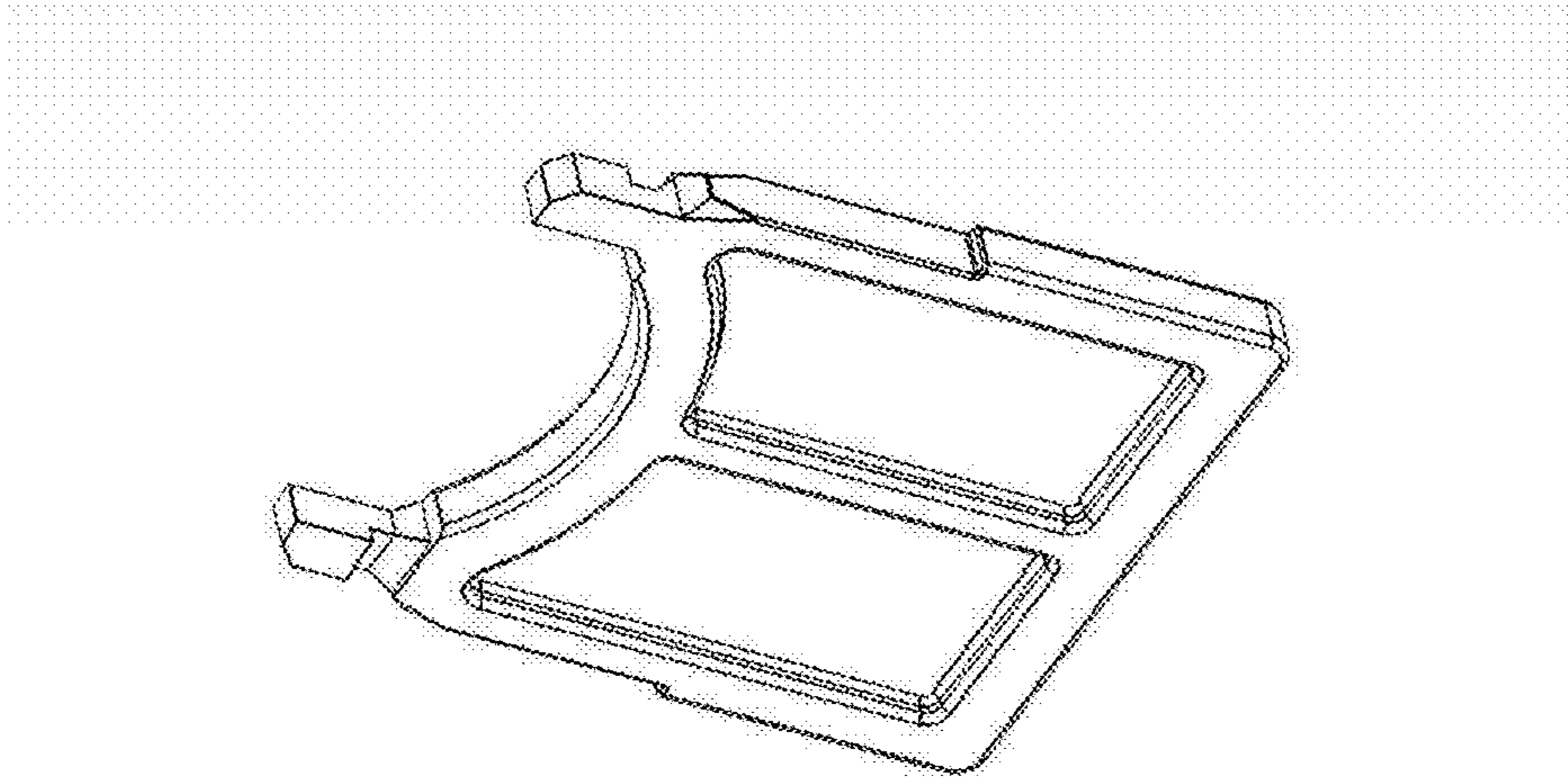


FIG 8